



YAMAHA

2011

⚠ Read this manual carefully before operating this vehicle.

OWNER'S SERVICE MANUAL

WR450FA

LIT-11626-24-19

1HB-28199-10

⚠ WARNING

The engine exhaust from this product contains chemicals known to the State of California to cause cancer, birth defects or other reproductive harm.

YAMAHA

LIT-CALIF-65-01

WR450FA
OWNER'S SERVICE MANUAL
©2010 by Yamaha Motor Corporation, U.S.A.
1st Edition, April 2010
All rights reserved.
Any reprinting or unauthorized use
without the written permission of
Yamaha Motor Corporation U.S.A.
is expressly prohibited.
Printed in Japan
P/N. LIT-11626-24-19

INTRODUCTION

Congratulations on your purchase of a Yamaha WR series. This model is the culmination of Yamaha's vast experience in the production of pacesetter racing machines. It represents the highest grade of craftsmanship and reliability that have made Yamaha a leader.

This manual explains operation, inspection, basic maintenance and tuning of your machine. If you have any questions about this manual or your machine, please contact your Yamaha dealer.

The design and manufacture of this Yamaha machine fully comply with the emissions standards for clean air applicable at the date of manufacture. Yamaha has met these standards without reducing the performance or economy of operation of the machine. To maintain these high standards, it is important that you and your Yamaha dealer pay close attention to the recommended maintenance schedules and operating instructions contained within this manual.

TIP

Yamaha continually seeks advancements in product design and quality. Therefore, while this manual contains the most current product information available at the time of printing, there may be minor discrepancies between your machine and this manual. If you have any questions concerning this manual, please consult your Yamaha dealer.

WARNING

PLEASE READ THIS MANUAL CAREFULLY AND COMPLETELY BEFORE OPERATING THIS MACHINE. DO NOT ATTEMPT TO OPERATE THIS MACHINE UNTIL YOU HAVE ATTAINED A SATISFACTORY KNOWLEDGE OF ITS CONTROLS AND OPERATING FEATURES AND UNTIL YOU HAVE BEEN TRAINED IN SAFE AND PROPER RIDING TECHNIQUES. REGULAR INSPECTIONS AND CAREFUL MAINTENANCE, ALONG WITH GOOD RIDING SKILLS, WILL ENSURE THAT YOU SAFELY ENJOY THE CAPABILITIES AND THE RELIABILITY OF THIS MACHINE.

IMPORTANT MANUAL INFORMATION

Particularly important information is distinguished in this manual by the following notations.



This is the safety alert symbol. It is used to alert you to potential personal injury hazards. Obey all safety messages that follow this symbol to avoid possible injury or death.

WARNING

A WARNING indicates a hazardous situation which, if not avoided, could result in death or serious injury.

NOTICE

A NOTICE indicates special precautions that must be taken to avoid damage to the vehicle or other property.

TIP

A TIP provides key information to make procedures easier or clearer.

SAFETY INFORMATION

THIS MACHINE IS DESIGNED STRICTLY FOR COMPETITION USE, ONLY ON A CLOSED COURSE. It is illegal for this machine to be operated on any public street, road, or highway. Off-road use on public lands may also be illegal. Please check local regulations before riding.

- **THIS MACHINE IS TO BE OPERATED BY AN EXPERIENCED RIDER ONLY.**
Do not attempt to operate this machine at maximum power until you are totally familiar with its characteristics.
- **THIS MACHINE IS DESIGNED TO BE RIDDEN BY THE OPERATOR ONLY.**
Do not carry passengers on this machine.
- **ALWAYS WEAR PROTECTIVE APPAREL.**
When operating this machine, always wear an approved helmet with goggles or a face shield. Also wear heavy boots, gloves, and protective clothing. Always wear proper fitting clothing that will not be caught in any of the moving parts or controls of the machine.
- **ALWAYS MAINTAIN YOUR MACHINE IN PROPER WORKING ORDER.**
For safety and reliability, the machine must be properly maintained. Always perform the pre-operation checks indicated in this manual. Correcting a mechanical problem before you ride may prevent an accident.
- **GASOLINE IS HIGHLY FLAMMABLE.**
Always turn off the engine while refueling. Take care to not spill any gasoline on the engine or exhaust system. Never refuel in the vicinity of an open flame, or while smoking.
- **GASOLINE CAN CAUSE INJURY.**
If you should swallow some gasoline, inhale excess gasoline vapors, or allow any gasoline to get into your eyes, contact a doctor immediately. If any gasoline spills onto your skin or clothing, immediately wash skin areas with soap and water, and change your clothes.
- **ONLY OPERATE THE MACHINE IN AN AREA WITH ADEQUATE VENTILATION.**
Never start the engine or let it run for any length of time in an enclosed area. Exhaust fumes are poisonous. These fumes contain carbon monoxide, which by itself is odorless and colorless. Carbon monoxide is a dangerous gas which can cause unconsciousness or can be lethal.

- **PARK THE MACHINE CAREFULLY; TURN OFF THE ENGINE.**

Always turn off the engine if you are going to leave the machine. Do not park the machine on a slope or soft ground as it may fall over.

- **THE ENGINE, EXHAUST PIPE, MUFFLER, AND OIL TANK WILL BE VERY HOT AFTER THE ENGINE HAS BEEN RUN.**

Be careful not to touch them or to allow any clothing item to contact them during inspection or repair.

- **PROPERLY SECURE THE MACHINE BEFORE TRANSPORTING IT.**

When transporting the machine in another vehicle, always be sure it is properly secured and in an upright position and that the fuel cock is in the "OFF" position. Otherwise, fuel may leak out of the carburetor or fuel tank.

YAMAHA MOTOR CORPORATION, U.S.A.

WR MOTORCYCLE LIMITED WARRANTY

Yamaha Motor Corporation, U.S.A. hereby warrants to the original retail purchaser that the following components equipped on new Yamaha WR motorcycles purchased from an authorized Yamaha motorcycle dealer in the continental United States will be free from defects in material and workmanship for the period of time stated herein, subject to certain stated limitations. WR components included under this warranty are the engine, frame, swingarm, and monoshock. It is understood that the balance of the WR components are not covered by any warranty, expressed or implied. The balance of the components equipped on the unit are sold on an "as is" basis. This warranty applies to the original purchaser only and is not transferable.

THE PERIOD OF WARRANTY for the above-listed Yamaha WR components as originally installed on the unit shall be thirty (30) days from the date of purchase.

MODELS EXCLUDED FROM WARRANTY include those used for non-Yamaha-authorized renting, leasing, or other commercial purposes.

DURING THE PERIOD OF WARRANTY any authorized Yamaha motorcycle dealer will, free of charge, repair or replace, at Yamaha's option, any part adjudged defective by Yamaha due to faulty workmanship or material from the factory. Parts used in warranty repairs will be warranted for the balance of the product's warranty period. All parts replaced under warranty become property of Yamaha Motor Corporation, U.S.A.

GENERAL EXCLUSIONS from this warranty shall include any failures caused by:

- Installation of parts or accessories that are not qualitatively equivalent to genuine Yamaha parts.
- Abnormal strain, neglect, or abuse.
- Accident or collision damage.
- Modification to original parts.
- Lack of proper maintenance.
- Damage due to improper transportation.

SPECIFIC EXCLUSIONS from this warranty shall include parts replaced due to normal wear or routine maintenance.

THE CUSTOMER'S RESPONSIBILITY under this warranty shall be to:

- Operate and maintain the WR as specified in the appropriate Owner's Service Manual, and
- Give notice to an authorized Yamaha motorcycle dealer of any and all apparent defects within ten (10) days after discovery, and make the machine available at that time for inspection and repairs at such dealer's place of business.

EMISSION CONTROL SYSTEM WARRANTY

Yamaha Motor Corporation, U.S.A. also warrants to the ultimate purchaser and each subsequent purchaser of each 2006 and later model Yamaha motorcycle covered by this warranty that the vehicle is designed, built, and equipped so as to conform at the time of sale with all U.S. emissions standards applicable at the time of manufacture and that it is free from defects in materials and workmanship which would cause it not to meet these standards within the period listed immediately below. Failures other than those resulting from defects in material or workmanship which arise solely as a result of owner abuse and/or lack of proper maintenance are not covered by this warranty.

All Off-Road Models

Thirty (30) months from the original purchase date

YAMAHA MOTOR CORPORATION, U.S.A. MAKES NO OTHER WARRANTY OF ANY KIND, EXPRESSED OR IMPLIED. ALL IMPLIED WARRANTIES OF MERCHANTABILITY AND FITNESS FOR A PARTICULAR PURPOSE WHICH EXCEED THE OBLIGATIONS AND TIME LIMITS STATED IN THIS WARRANTY ARE HEREBY DISCLAIMED BY YAMAHA MOTOR CORPORATION, U.S.A. AND EXCLUDED FROM THIS WARRANTY.

SOME STATES DO NOT ALLOW LIMITATIONS ON HOW LONG AN IMPLIED WARRANTY LASTS, SO THE ABOVE LIMITATION MAY NOT APPLY TO YOU. ALSO EXCLUDED FROM THIS WARRANTY ARE ANY INCIDENTAL OR CONSEQUENTIAL DAMAGES INCLUDING LOSS OF USE. SOME STATES DO NOT ALLOW THE EXCLUSION OR LIMITATION OF INCIDENTAL OR CONSEQUENTIAL DAMAGES, SO THE ABOVE EXCLUSION MAY NOT APPLY TO YOU.

THIS WARRANTY GIVES YOU SPECIFIC LEGAL RIGHTS, AND YOU MAY ALSO HAVE OTHER RIGHTS WHICH VARY FROM STATE TO STATE.

YAMAHA MOTOR CORPORATION, U.S.A.
Post Office Box 6555
Cypress, California 90630

WARRANTY QUESTIONS AND ANSWERS

- Q. What costs are my responsibility during the warranty period?
- A. The customer's responsibility includes all costs of normal maintenance services, non-warranty repairs, accident and collision damage, and oil, oil filters, air filters, spark plugs, and brake shoes or pads.
- Q. What are some examples of "abnormal" strain, neglect, or abuse?
- A. These terms are general and overlap each other in areas. Specific examples include: Running the machine without oil; operating the machine with a broken or damaged part which causes another part to fail, damage or failure due to improper or careless transportation and or tie down; and so on. If you have any specific questions on operation or maintenance, please contact your dealer for advice.
- Q. Does the warranty cover incidental costs such as towing or transportation due to a failure?
- A. No. The warranty is limited to repair of the machine itself.
- Q. May I perform any or all of the recommended maintenance shown in the Owner's Service Manual instead of having the dealer do them?
- A. Yes, if you are a qualified mechanic and follow the procedures specified in the Owner's Service Manual. We do recommend, however, that items requiring special tools or equipment be done by a Yamaha motorcycle dealer.
- Q. Will the warranty be void or canceled if I do not operate or maintain my new WR exactly as specified in the Owner's Service Manual?
- A. No. The warranty on a new motorcycle cannot be "voided" or "cancelled." However, if a particular failure is caused by operation or maintenance other than as shown in the Owner's Service Manual, that failure may not be covered under warranty.
- Q. What responsibility does my dealer have under this warranty?
- A. Each Yamaha motorcycle dealer is expected to:
- Completely set up every new machine before sale.
 - Explain the operation, maintenance, and warranty requirements to your satisfaction at the time of sale, and upon your request at any later date. In addition, each Yamaha motorcycle dealer is held responsible for his setup, service and warranty repair work.
- Q. Does the warranty on the engine include the carburetor, air filter, air box, and exhaust pipe?
- A. No. The warranty covers only the engine components.

CUSTOMER SERVICE

If your machine requires warranty service, you must take it to any authorized Yamaha motorcycle dealer within the continental United States. Be sure to bring your warranty registration identification or other valid proof of the original date of purchase. If a question or problem arises regarding warranty, first contact the owner of the dealer-ship. Since all warranty matters are handled at the dealer level, this person is in the best position to help you. If you are still not satisfied and require additional assistance, please write:

YAMAHA MOTOR CORPORATION U.S.A.
CUSTOMER RELATIONS DEPARTMENT
P.O. Box 6555
Cypress, California 90630

When contacting Yamaha Motor Corporation, U.S.A. don't forget to include any important information such as names, addresses, model, V.I.N. (frame number), dates, and receipts.

CHANGE OF ADDRESS

The federal government requires each manufacturer of a motor vehicle to maintain a complete, up-to-date list of all first purchasers against the possibility of a safety-related defect and recall. This list is compiled from the purchase registrations sent to Yamaha Motor Corporation, U.S.A. by the selling dealer at the time of your purchase.

If you should move after you have purchased your new motorcycle, please advise us of your new address by sending a postcard listing your motorcycle model name, V.I.N. (frame number), dealer number (or dealer's name) as it is shown on your warranty identification, your name and new mailing address. Mail to:

YAMAHA MOTOR CORPORATION, U.S.A.
WARRANTY DEPARTMENT
P.O. Box 6555
Cypress, California 90630

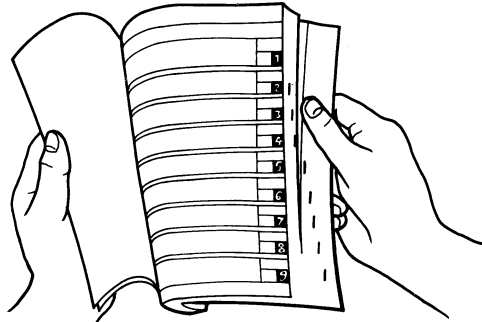
This will ensure that Yamaha Motor Corporation, U.S.A. has an up-to-date registration record in accordance with federal law.

HOW TO USE THIS MANUAL

FINDING THE REQUIRED PAGE

1. This manual consists of seven chapters; "General Information", "Specifications", "Regular inspection and adjustments", "Tuning", "Engine", "Chassis" and "Electrical".
2. The table of contents is at the beginning of the manual. Look over the general layout of the book before finding then required chapter and item.

Bend the book at its edge, as shown, to find the required fore edge symbol mark and go to a page for required item and description.



MANUAL FORMAT

All of the procedures in this manual are organized in a sequential, step-by-step format. The information has been compiled to provide the mechanic with an easy to read, handy reference that contains comprehensive explanations of all disassembly, repair, assembly, and inspection operations.

In this revised format, the condition of a faulty component will precede an arrow symbol and the course of action required will follow the symbol, e.g.,

- Bearings
Pitting/damage → Replace.

HOW TO READ DESCRIPTIONS

To help identify parts and clarify procedure steps, there are exploded diagrams at the start of each removal and disassembly section.

1. An easy-to-see exploded diagram "1" is provided for removal and disassembly jobs.
2. Numbers "2" are given in the order of the jobs in the exploded diagram. A number that is enclosed by a circle indicates a disassembly step.
3. An explanation of jobs and notes is presented in an easy-to-read way by the use of symbol marks "3". The meanings of the symbol marks are given on the next page.
4. A job instruction chart "4" accompanies the exploded diagram, providing the order of jobs, names of parts, notes in jobs, etc.
5. For jobs requiring more information, the step-by-step format supplements "5" are given in addition to the exploded diagram and job instruction chart.

CLUTCH

CLUTCH
REMOVING THE CLUTCH

Order	Part name	Qty	Remarks
	Drain the engine oil.		Refer to "ENGINE OIL REPLACEMENT" section in the CHAPTER 3.
	Brake pedal		Refer to "ENGINE REMOVAL" section.
	Clutch cable		Disconnect at engine side.
1	Clutch cover	1	
2	Clutch spring	5	
3	Pressure plate	1	
4	Push rod 1	1	
5	Circlip	1	
6	Washer	1	
7	Bearing	1	
8	Ball	1	
9	Push rod 2	1	
10	Friction plate	9	

5-43

CLUTCH

REMOVING THE CLUTCH BOSS

1. Remove:

- Nut "1"
- Lock washer "2"
- Clutch boss "3"

NOTE:
Straighten the lock washer tab and use the clutch holding tool "4" to hold the clutch boss.

Clutch holding tool:
YM-91042/90890-04086

A. For USA and ODN
B. Except for USA and ODN

CHECKING THE CLUTCH SPRING

1. Measure:

- Clutch spring free length "a"
- Out of specification → Replace springs as a set.

Clutch spring free length:
37.0 mm (1.46 in)
<Limit>: 36.0 mm (1.42 in)

CHECKING THE FRICTION PLATES

1. Measure:

- Friction plate thickness
- Out of specification → Replace friction plate as a set.
- Measure at all four points.

Friction plate thickness:
2.9-3.1 mm (0.114-0.122 in)
<Limit>: 2.7 mm (0.106 in)

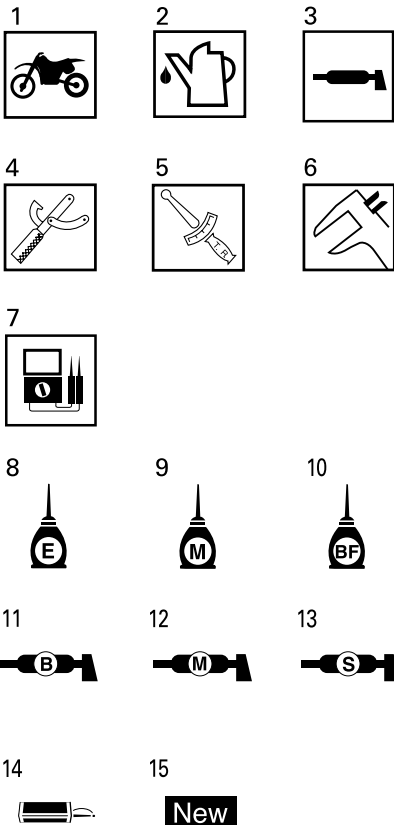
CHECKING THE PRIMARY DRIVEN GEAR

1. Check:

- Circumferential play
- Free play exists → Replace.
- Gear teeth "a"
- Wear/damage → Replace.

5-45

ILLUSTRATED SYMBOLS (Refer to the illustration)



Illustrated symbols "1" to "7" are used to identify the specifications appearing in the text.

1. With engine mounted
2. Filling fluid
3. Lubricant
4. Special tool
5. Tightening
6. Specified value, Service limit
7. Resistance (Ω), Voltage (V), Electric current (A)

Illustrated symbols "8" to "13" in the exploded diagrams indicate grade of lubricant and location of lubrication point.

8. Apply engine oil
9. Apply molybdenum disulfide oil
10. Apply brake fluid
11. Apply lightweight lithium-soap base grease
12. Apply molybdenum disulfide grease
13. Apply silicone grease

Illustrated symbols "14" to "15" in the exploded diagrams indicate where to apply a locking agent and where to install new parts.

14. Apply locking agent (LOCTITE®)
15. Use new one

MEMO

TABLE OF CONTENTS

GENERAL INFORMATION	1
SPECIFICATIONS	2
REGULAR INSPECTION AND ADJUSTMENTS	3
TUNING	4
ENGINE	5
CHASSIS	6
ELECTRICAL	7

CONTENTS

CHAPTER 1 GENERAL INFORMATION

LOCATION OF IMPORTANT LABELS	1-1
DESCRIPTION	1-2
CONSUMER INFORMATION	1-3
INCLUDED PARTS.....	1-4
IMPORTANT INFORMATION.....	1-5
CHECKING OF CONNECTION	1-7
SPECIAL TOOLS.....	1-8
CONTROL FUNCTIONS.....	1-12
MULTI-FUNCTION DISPLAY	1-15
STARTING AND BREAK-IN.....	1-22
TORQUE-CHECK POINTS.....	1-25
CLEANING AND STORAGE	1-26

CHAPTER 2 SPECIFICATIONS

GENERAL SPECIFICATIONS.....	2-1
MAINTENANCE SPECIFICATIONS.....	2-4
TIGHTENING TORQUES.....	2-14
LUBRICATION DIAGRAMS	2-22
CABLE ROUTING DIAGRAM.....	2-26

CHAPTER 3 REGULAR INSPECTION AND ADJUSTMENTS

PERIODIC MAINTENANCE CHART FOR THE EMISSION CONTROL SYSTEM	3-1
GENERAL MAINTENANCE AND LUBRICATION CHART	3-2
MAINTENANCE INTERVALS FOR COMPETITION USE	3-4
PRE-OPERATION INSPECTION AND MAINTENANCE	3-9
ENGINE	3-10
CHASSIS.....	3-27
ELECTRICAL.....	3-45

CHAPTER 4 TUNING

CHASSIS.....	4-1
--------------	-----

CHAPTER 5 ENGINE

RADIATOR.....	5-1
CARBURETOR	5-5
AIR INDUCTION SYSTEM.....	5-17
CAMSHAFTS	5-19
CYLINDER HEAD	5-26
VALVES AND VALVE SPRINGS	5-30
CYLINDER AND PISTON	5-37
CLUTCH.....	5-42
OIL FILTER ELEMENT AND WATER PUMP	5-48
BALANCER	5-54
OIL PUMP	5-57
KICK SHAFT AND SHIFT SHAFT.....	5-61
AC MAGNETO AND STARTER CLUTCH.....	5-67
ENGINE REMOVAL.....	5-73
CRANKCASE AND CRANKSHAFT.....	5-79
TRANSMISSION, SHIFT CAM AND SHIFT FORK	5-87

CHAPTER 6 CHASSIS

FRONT WHEEL AND REAR WHEEL	6-1
FRONT BRAKE AND REAR BRAKE.....	6-10
FRONT FORK	6-24
HANDLEBAR.....	6-35
STEERING	6-42
SWINGARM	6-48
REAR SHOCK ABSORBER.....	6-55

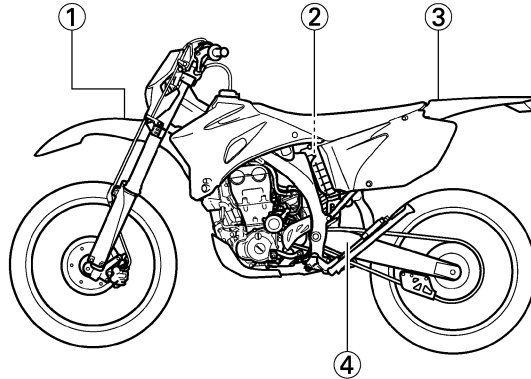
CHAPTER 7 ELECTRICAL

ELECTRICAL COMPONENTS AND WIRING DIAGRAM	7-1
IGNITION SYSTEM.....	7-3
ELECTRIC STARTING SYSTEM.....	7-7
CHARGING SYSTEM	7-15
THROTTLE POSITION SENSOR SYSTEM.....	7-17
LIGHTING SYSTEM.....	7-21
SIGNALING SYSTEM.....	7-23

LOCATION OF IMPORTANT LABELS

GENERAL INFORMATION LOCATION OF IMPORTANT LABELS

Please read the following important labels carefully before operating this vehicle.



1

Premium unleaded
gasoline only.

3FB-2415E-02

2

⚠ WARNING

- This unit contains high pressure nitrogen gas.
 Mishandling can cause explosion.
- Read owner's manual for instructions.
 - Do not incinerate, puncture or open.

4AA-22259-80

4

TIRE INFORMATION

Cold tire normal pressure should be set as follows.

FRONT: 100kPa, {1.00kgf/cm²}, 15psi

REAR : 100kPa, {1.00kgf/cm²}, 15psi

3RV-21668-A0

3

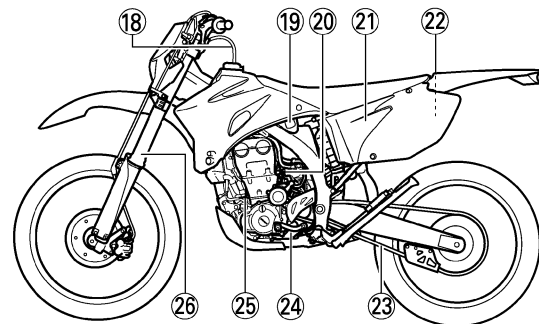
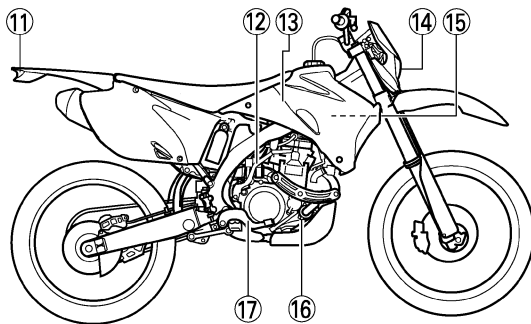
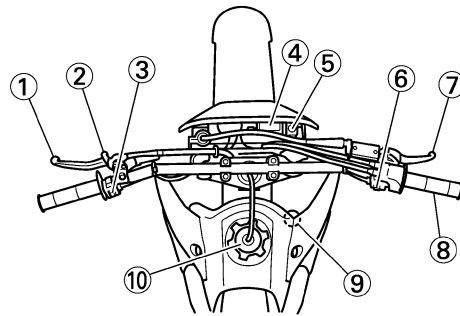
⚠ WARNING

- BEFORE YOU OPERATE THIS VEHICLE, READ THE OWNER'S MANUAL AND ALL LABELS.
- NEVER CARRY A PASSENGER. You increase your risk of losing control if you carry a passenger.
- NEVER OPERATE THIS VEHICLE ON PUBLIC ROADS. You can collide with another vehicle if you operate this vehicle on a public road.
- ALWAYS WEAR AN APPROVED MOTORCYCLE HELMET, eye protection, and protective clothing.
- EXPERIENCED RIDER ONLY.

5PA-2118K-00

1

DESCRIPTION



- | | |
|---------------------------|------------------------|
| 1. Clutch lever | 14. Headlight |
| 2. Hot starter lever | 15. Radiator |
| 3. Engine stop switch | 16. Coolant drain bolt |
| 4. Multi-function display | 17. Rear brake pedal |
| 5. Main switch | 18. Valve joint |
| 6. Start switch | 19. Fuel cock |
| 7. Front brake lever | 20. Cold starter knob |
| 8. Throttle grip | 21. Air cleaner |
| 9. Radiator cap | 22. Catch tank |
| 10. Fuel tank cap | 23. Drive chain |
| 11. Taillight | 24. Shift pedal |
| 12. Kickstarter crank | 25. Oil dipstick |
| 13. Fuel tank | 26. Front fork |

TIP

- The machine you have purchased may differ slightly from those shown in the following.
- Designs and specifications are subject to change without notice.

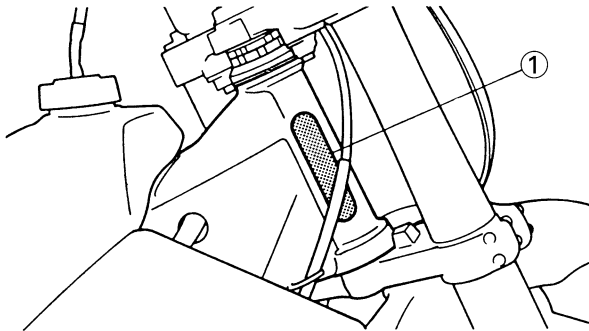
CONSUMER INFORMATION

There are two significant reasons for knowing the serial number of your machine:

1. When ordering parts, you can give the number to your Yamaha dealer for positive identification of the model you own.
2. If your machine is stolen, the authorities will need the number to search for and identify your machine.

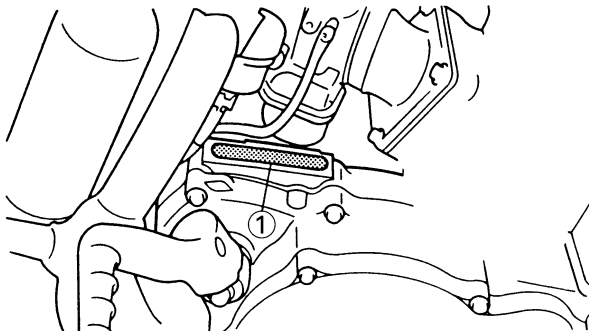
VEHICLE IDENTIFICATION NUMBER

The vehicle identification number "1" is stamped on the right of the steering head pipe.



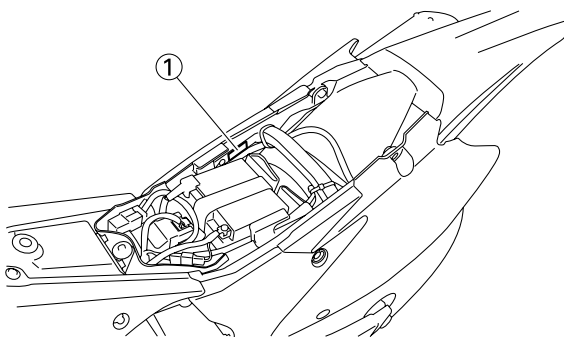
ENGINE SERIAL NUMBER

The engine serial number "1" is stamped into the elevated part of the right-side of the engine.



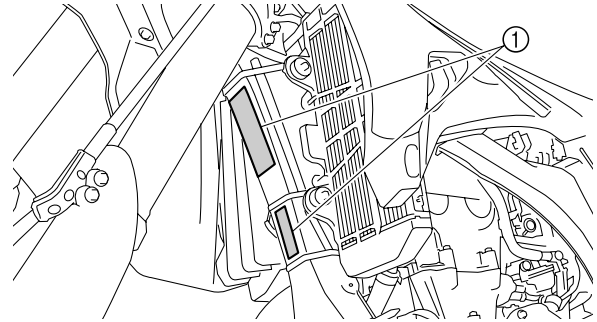
MODEL LABEL

The model label "1" is affixed to the frame under the rider's seat. This information will be needed to order spare parts.



VEHICLE EMISSION CONTROL INFORMATION LABEL

The Vehicle Emission Control Information label "1" is affixed at the location in the illustration. This label shows specifications related to exhaust emissions as required by federal law, state law and Environment Canada.



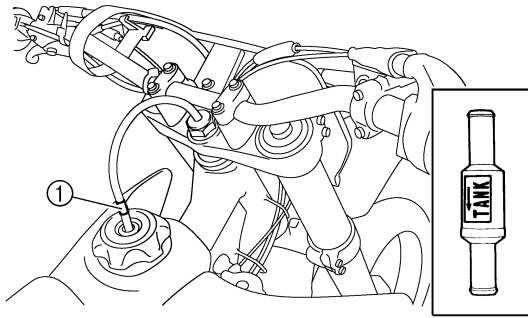
INCLUDED PARTS

VALVE JOINT

This valve joint "1" prevents fuel from flowing out and is installed to the fuel tank breather hose.

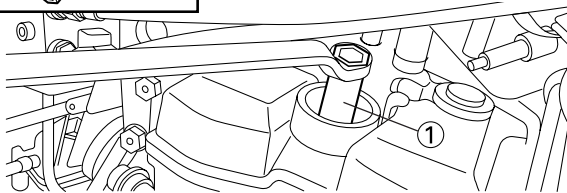
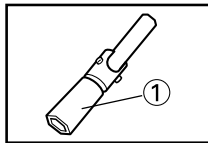
NOTICE

In this installation, make sure the arrow faces the fuel tank and also downward.



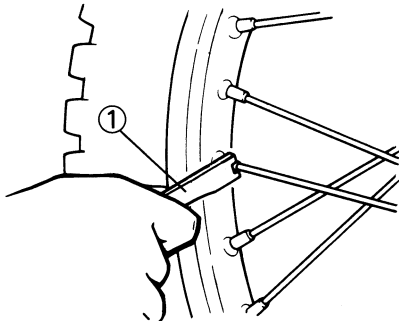
SPARK PLUG WRENCH

This spark plug wrench "1" is used to remove and install the spark plug.



NIPPLE WRENCH

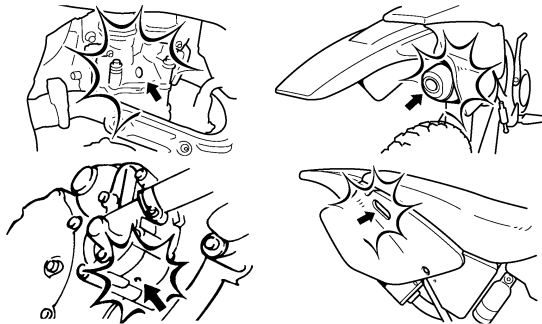
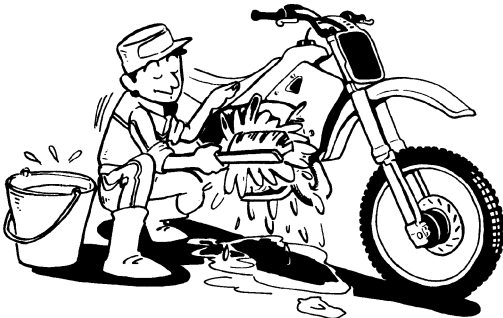
This nipple wrench "1" is used to tighten the spoke.



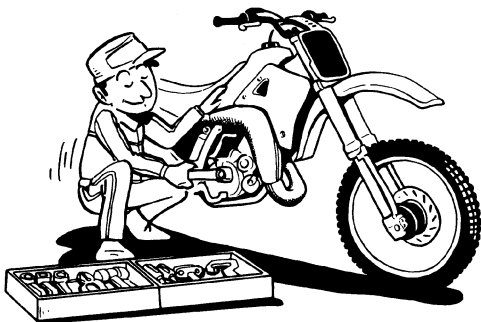
IMPORTANT INFORMATION

PREPARATION FOR REMOVAL AND DISASSEMBLY

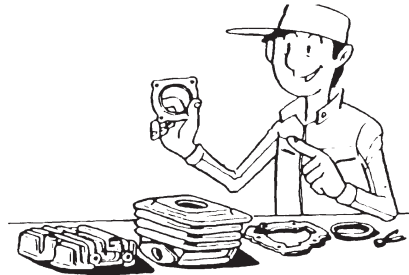
1. Remove all dirt, mud, dust, and foreign material before removal and disassembly.
 - When washing the machine with high pressured water, cover the parts follows.
Silencer exhaust port
Side cover air intake port
Water pump housing hole at the bottom
Drain hole on the cylinder head (right side)
All electrical components



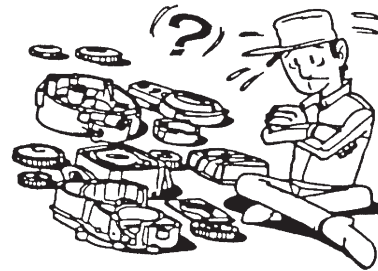
2. Use proper tools and cleaning equipment. Refer to "SPECIAL TOOLS" section.



3. When disassembling the machine, keep mated parts together. They include gears, cylinders, pistons, and other mated parts that have been "mated" through normal wear. Mated parts must be reused as an assembly or replaced.



4. During the machine disassembly, clean all parts and place them in trays in the order of disassembly. This will speed up assembly time and help assure that all parts are correctly reinstalled.



5. Keep away from fire.

ALL REPLACEMENT PARTS

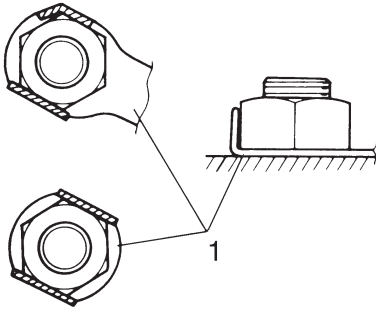
1. We recommend to use Yamaha genuine parts for all replacements. Use oil and/or grease recommended by Yamaha for assembly and adjustment.

GASKETS, OIL SEALS AND O-RINGS

1. All gaskets, oil seals, and O-rings should be replaced when an engine is overhauled. All gasket surfaces, oil seal lips, and O-rings must be cleaned.
2. Properly oil all mating parts and bearings during reassembly. Apply grease to the oil seal lips.

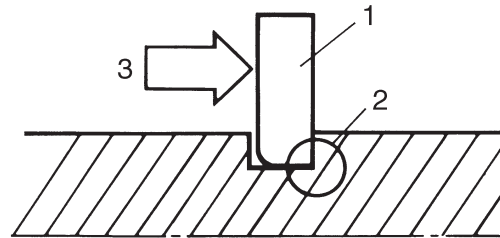
LOCK WASHERS/PLATES AND COTTER PINS

1. All lock washers/plates "1" and cotter pins must be replaced when they are removed. Lock tab(s) should be bent along the bolt or nut flat(s) after the bolt or nut has been properly tightened.



CIRCLIPS

1. All circlips should be inspected carefully before reassembly. Always replace piston pin clips after one use. Replace distorted circlips. When installing a circlip "1", make sure that the sharp-edged corner "2" is positioned opposite to the thrust "3" it receives. See the sectional view.

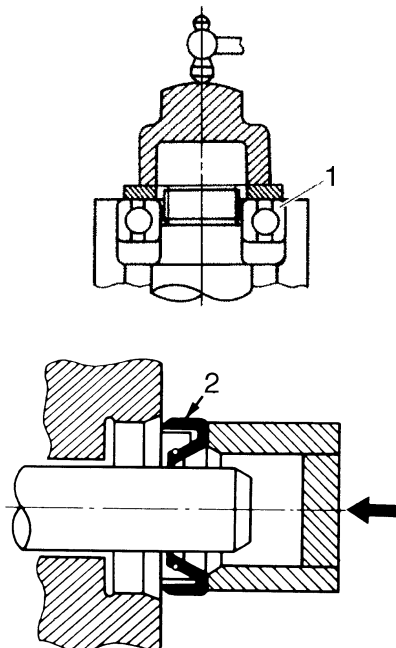


BEARINGS AND OIL SEALS

1. Install the bearing(s) "1" and oil seal(s) "2" with their manufacturer's marks or numbers facing outward. (In other words, the stamped letters must be on the side exposed to view.) When installing oil seal(s), apply a light coating of lightweight lithium base grease to the seal lip(s). Oil the bearings liberally when installing.

NOTICE

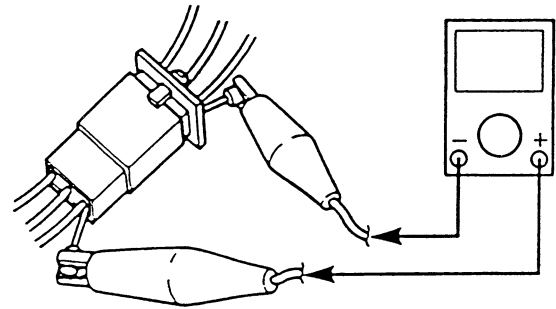
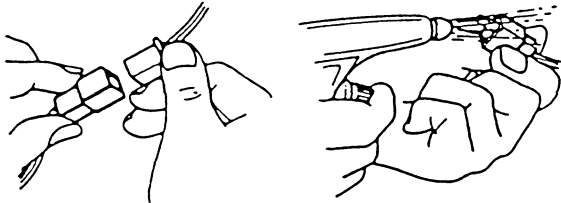
Do not use compressed air to spin the bearings dry. This causes damage to the bearing surfaces.



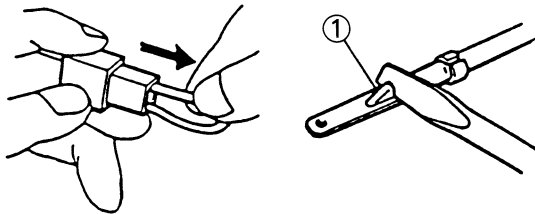
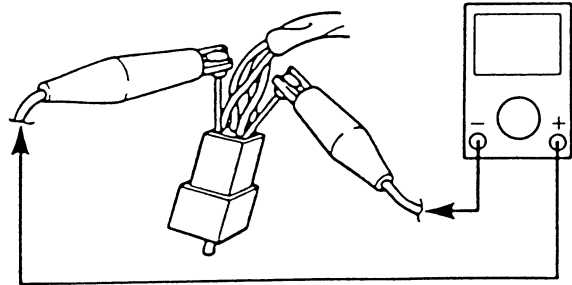
CHECKING OF CONNECTION

Dealing with stains, rust, moisture, etc. on the connector.

1. Disconnect:
 - Connector
2. Dry each terminal with an air blower.



3. Connect and disconnect the connector two or three times.
4. Pull the lead to check that it will not come off.
5. If the terminal comes off, bend up the pin "1" and reinsert the terminal into the connector.



6. Connect:
 - Connector

TIP

The two connectors "click" together.

7. Check for continuity with a tester.

TIP

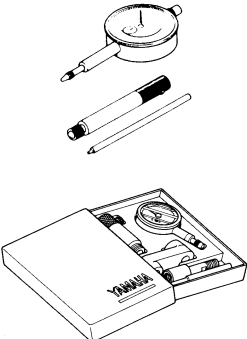
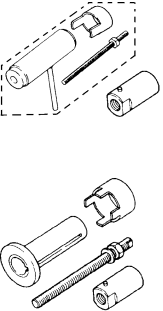
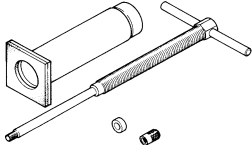
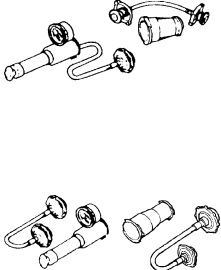
- If there is no continuity, clean the terminals.
- Be sure to perform the steps 1 to 7 listed above when checking the wire harness.
- For a field remedy, use a contact revitalizer available on the market.
- Use the tester on the connector as shown.

SPECIAL TOOLS

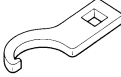
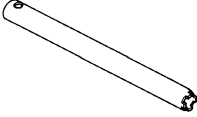
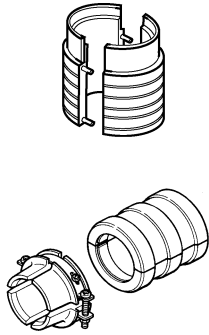
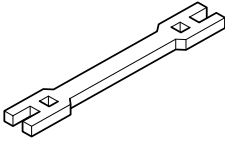
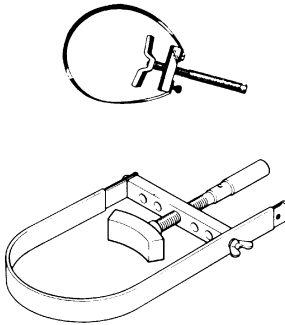
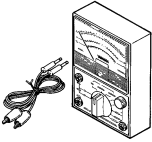
The proper special tools are necessary for complete and accurate tune-up and assembly. Using the correct special tool will help prevent damage caused by the use of improper tools or improvised techniques. The shape and part number used for the special tool differ by country, so two types are provided. Refer to the list provided to avoid errors when placing an order.

TIP

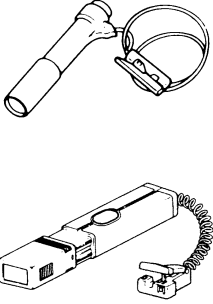
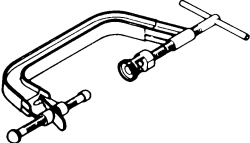
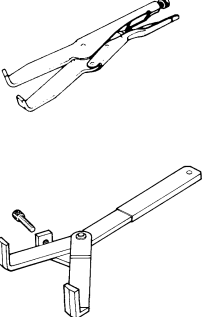
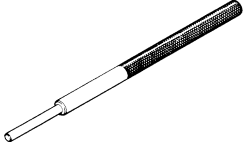
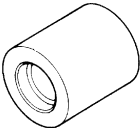
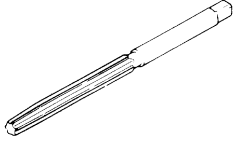
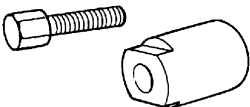
- For U.S.A. and Canada, use part number starting with "YM-", "YU-" or "ACC-".
- For others, use part number starting with "90890-".

Tool name/Part number	How to use	Illustration
Dial gauge and stand YU-3097, 90890-01252 Stand YU-1256	These tools are used to check each part for runout or bent.	
Crankshaft installing tool Crankshaft installing pot YU-90050, 90890-01274 Crankshaft installing bolt YU-90050, 90890-01275 Spacer (crankshaft installer) YM-91044, 90890-04081 Adapter (M12) YU-90063, 90890-01278	These tools are used to install the crankshaft.	
Piston pin puller set YU-1304, 90890-01304	This tool is used to remove the piston pin.	
Radiator cap tester YU-24460-01, 90890-01325 Radiator cap tester adapter YU-33984, 90890-01352	These tools are used for checking the cooling system.	

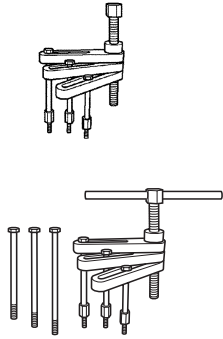
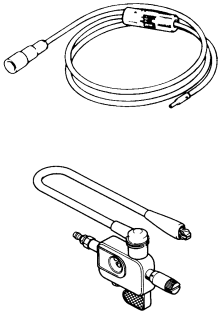
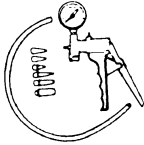
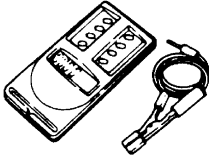
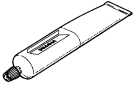
SPECIAL TOOLS

Tool name/Part number	How to use	Illustration
Steering nut wrench YU-33975, 90890-01403	This tool is used when tighten the steering ring nut to specification.	
Damper rod holder YM-01494, 90890-01494	Use this tool to remove and install the damper rod.	
Fork seal driver YM-A0948, 90890-01502	This tool is used when install the fork oil seal.	
Spoke nipple wrench YM-01521, 90980-01521	This tool is used to tighten the spoke.	
Sheave holder YS-1880-A, 90890-01701	This tool is used for when loosening or tightening the flywheel magneto securing nut.	
Pocket tester YU-3112-C, 90890-03112	Use this tool to inspect the coil resistance, output voltage and amperage.	

SPECIAL TOOLS

Tool name/Part number	How to use	Illustration
Timing light YM-33277-A, 90890-03141	This tool is necessary for checking ignition timing.	
Valve spring compressor YM-4019, 90890-04019	This tool is needed to remove and install the valve assemblies.	
Clutch holding tool YM-91042, 90890-04086	This tool is used to hold the clutch when removing or installing the clutch boss securing nut.	
Valve guide remover Intake 4.5 mm (0.18 in) Exhaust 5.0 mm (0.20 in) YM-4116, 90890-04116 YM-4097, 90890-04097	This tool is needed to remove and install the valve guide.	
Valve guide installer Intake 4.5 mm (0.18 in) Exhaust 5.0 mm (0.20 in) YM-4117, 90890-04117 YM-4098, 90890-04098	This tool is needed to install the valve guide.	
Valve guide reamer Intake 4.5 mm (0.18 in) Exhaust 5.0 mm (0.20 in) YM-4118, 90890-04118 YM-4099, 90890-04099	This tool is needed to rebores the new valve guide.	
Rotor puller YM-4142, 90890-04142	This tool is used to remove the flywheel magneto.	

SPECIAL TOOLS

Tool name/Part number	How to use	Illustration
Crankcase separating tool YU-A9642 90890-04152	These tool is used to remove the crankshaft from either case.	
Dynamic spark tester YM-34487 Ignition checker 90890-06754	This instrument is necessary for checking the ignition system components.	
Vacuum/pressure pump gauge set YB-35956-A, 90890-06756	This tool is used to check the air induction system.	
Digital tachometer YU-39951-B, 90890-06760	This tool is needed for observing engine rpm.	
YAMAHA Bond No. 1215 (ThreeBond® No. 1215) 90890-85505	This sealant (Bond) is used for crankcase mating surface, etc.	

CONTROL FUNCTIONS

MAIN SWITCH

Functions of the respective switch positions are as follows:

ON:

The engine can be started only at this position.

OFF:

All electrical circuits are switched off.

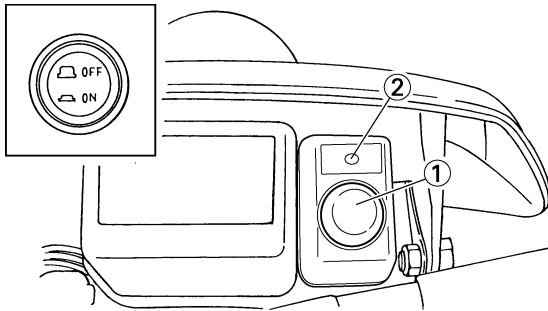
Main switch indicator light

The main switch "1" is equipped with an indicator light "2" to avoid forgetting to turn it off. This light functions as follows.

- It lights up with the main switch "ON".
- It goes out when the engine increases its speed after being started.
- It lights up again when the engine is stopped.

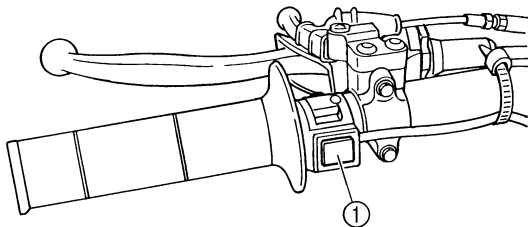
TIP

If the indicator light will not light up with the main switch "ON", it shows a lack of the battery voltage. Recharge the battery.



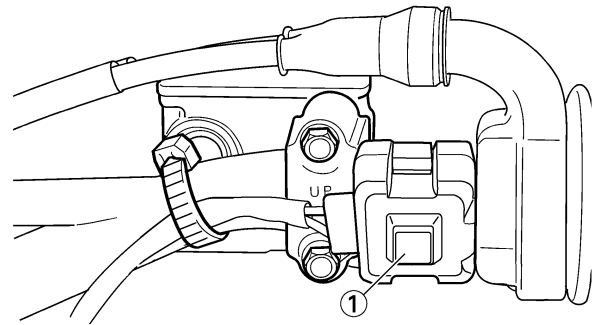
ENGINE STOP SWITCH

The engine stop switch "1" is located on the left handlebar. Continue pushing the engine stop switch till the engine comes to a stop.



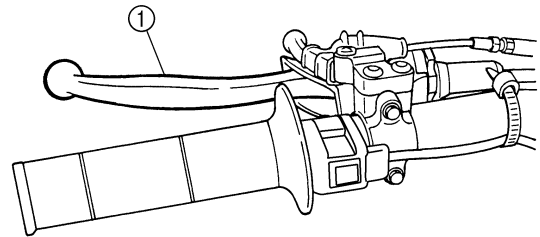
START SWITCH

The start switch "1" is located on the right handlebar. Push this switch to crank the engine with the starter.



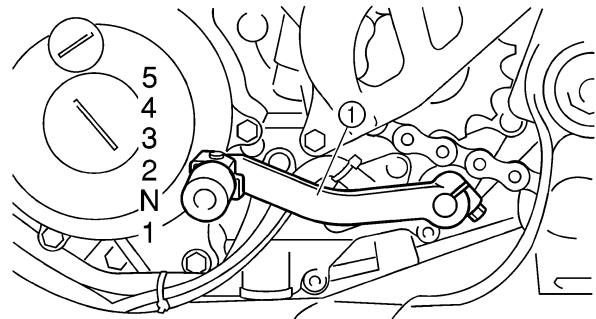
CLUTCH LEVER

The clutch lever "1" is located on the left handlebar; it disengages or engages the clutch. Pull the clutch lever to the handlebar to disengage the clutch, and release the lever to engage the clutch. The lever should be pulled rapidly and released slowly for smooth starts.



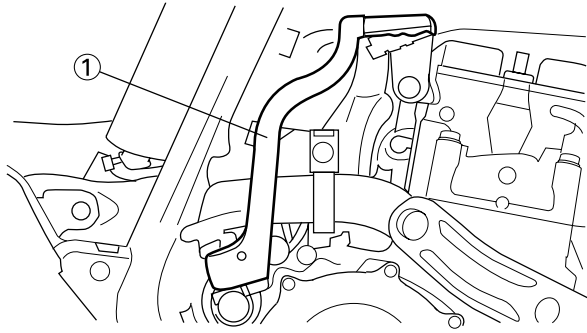
SHIFT PEDAL

The gear ratios of the constant-mesh 5 speed transmission are ideally spaced. The gears can be shifted by using the shift pedal "1" on the left side of the engine.



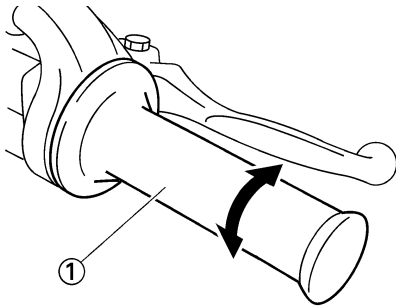
KICKSTARTER CRANK

Rotate the kickstarter crank "1" away from the engine. Push the starter down lightly with your foot until the gears engage, then kick smoothly and forcefully to start the engine. This model has a primary kickstarter crank so the engine can be started in any gear if the clutch is disengaged. In normal practices, however, shift to neutral before starting.



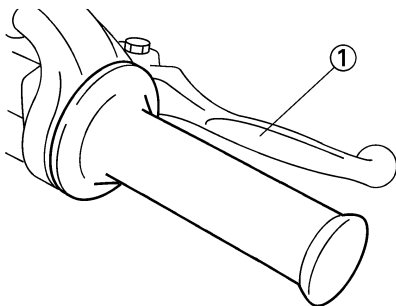
THROTTLE GRIP

The throttle grip "1" is located on the right handlebar; it accelerates or decelerates the engine. For acceleration, turn the grip toward you; for deceleration, turn it away from you.



FRONT BRAKE LEVER

The front brake lever "1" is located on the right handlebar. Pull it toward the handlebar to activate the front brake.



REAR BRAKE PEDAL

The rear brake pedal "1" is located on the right side of the machine. Press down on the brake pedal to activate the rear brake.



FUEL COCK

The fuel cock supplies fuel from the tank to carburetor and also filters the fuel. The fuel cock has the three positions:

OFF:

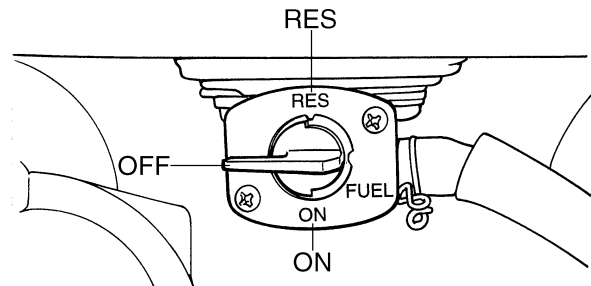
With the lever in this position, fuel will not flow. Always return the lever to this position when the engine is not running.

ON:

With the lever in this position, fuel flows to the carburetor. Normal riding is done with the lever in this position.

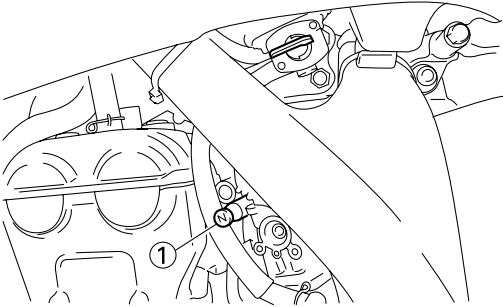
RES:

With the lever in this position fuel flows to the carburetor from the reserve section of the fuel tank after the main supply of the fuel has been depleted. Normal riding is possible with the lever in this position, but it is recommended to add fuel as soon as possible.



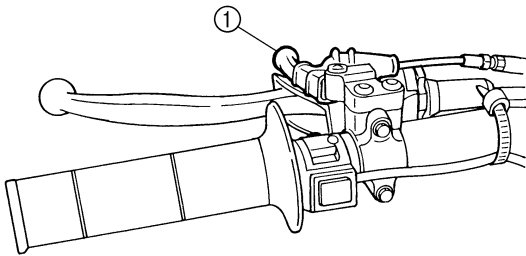
COLD STARTER KNOB

When cold, the engine requires a richer air-fuel mixture for starting. A separate starter circuit, which is controlled by the cold starter knob "1", supplies this mixture. Pull the cold starter knob out to open the circuit for starting. When the engine has warmed up, push it in to close the circuit.



HOT STARTER LEVER

The hot starter lever "1" is used when starting a warm engine. Use the hot starter lever when starting the engine again immediately after it was stopped (the engine is still warm). Pulling the hot starter lever injects secondary air to thin the air-fuel mixture temporarily, allowing the engine to be started more easily.

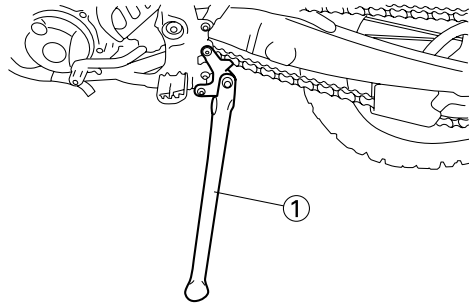


SIDESTAND

This sidestand "1" is used to support only the machine when standing or transporting it.

⚠ WARNING

- **Never apply additional force to the sidestand.**
- **Hold up the sidestand before starting out.**



MULTI-FUNCTION DISPLAY

⚠ WARNING

Be sure to stop the machine before making any setting changes to the multi-function display.

The multi-function display is equipped with the following:

BASIC MODE:

- Speedometer (which shows current speed)
- Clock
- Two tripmeters (which shows the distance that has been traveled since it was last set to zero)
- Tire diameter (which shows the difference from initial setting in percentage)

RACE MODE:

- Timer (which shows the time that has been accumulated since the start of timer measurement)
- Tripmeter (which shows the accumulated travel distance in timer measurement)
- Average speed (which shows the average of the speeds that have been made since the start of timer measurement)
- Change tripmeter digits (capable of change to any given ones)
- Tire diameter correction (which shows the tire diametrical difference in percentage as the tripmeter travel distance is corrected)

DESCRIPTION

Operation buttons:

1. Select button "SLCT 1"
2. Select button "SLCT 2"
3. Reset button "RST"

Screen display:

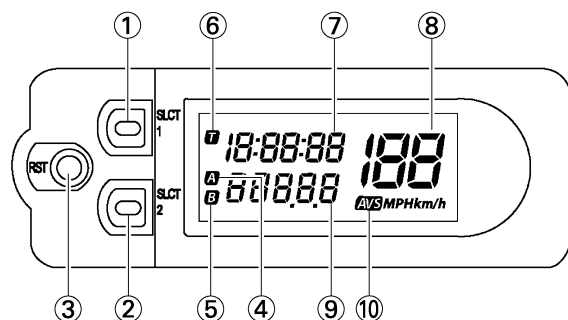
4. Tripmeter indicator **A**
5. Tripmeter indicator **B**
6. Timer indicator **T**
7. Clock/Timer
8. Speedometer (Current speed/Average speed)
9. Tripmeter
10. Average speed indicator **AVS**

TIP

The operation buttons can be pushed in the following two manners:

Short push: Push the button. (⇨)

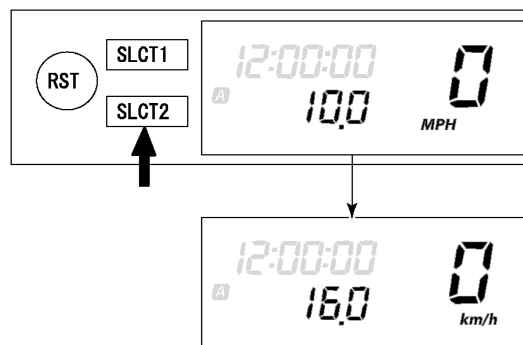
Long push: Push the button for 2 seconds or more. (⇨)



BASIC MODE

Changing speedometer display

1. Push the "SLCT2" button for 2 seconds or more to change the speedometer units. The speedometer display will change in the following order:
MPH → km/h → MPH.

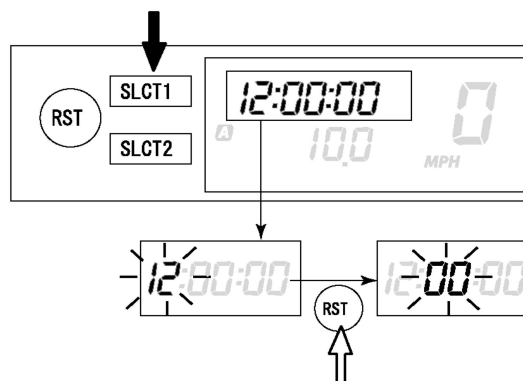


Setting the time

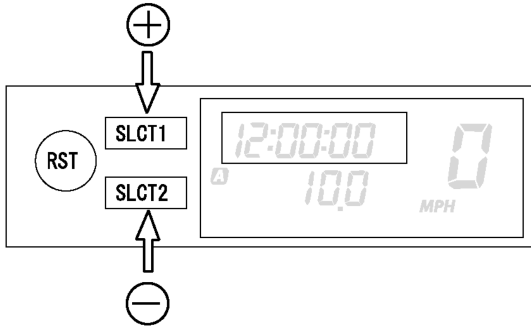
1. Push the "SLCT1" button for 2 seconds or more to enter the time setting mode.
2. Push the "RST" button to change the display for time indication. The display will change in the following order:
Hour → Minute → Second → Hour.

TIP

The digits capable of setting go on flashing.



3. Push the "SLCT1" button (plus) or "SLCT2" button (minus) and change the time. A long push on the button will fast-forward the time.



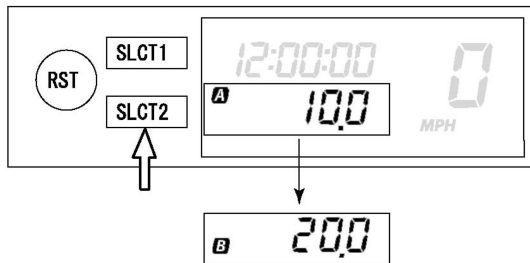
- To end the setting, push the "RST" button for 2 seconds or more.

TIP

- In a 30-second absence of button operation, the setting will come to an end with the indicated time.
- To reset the seconds, push the "SLCT1" button or "SLCT2" button.

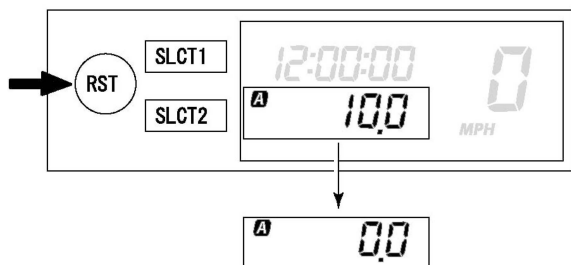
Changing tripmeter A/B (TRIP A/B)

- Push the "SLCT2" button to change the tripmeter display. The display will change in the following order:
TRIP A → TRIP B → TRIP A.



TIP

To reset the digits, select the tripmeter involved and push the "RST" button for 2 seconds or more.



Setting the tire diameter

TIP

The outer diameter of a tire varies with tire wear, tire pressure, and course condition.

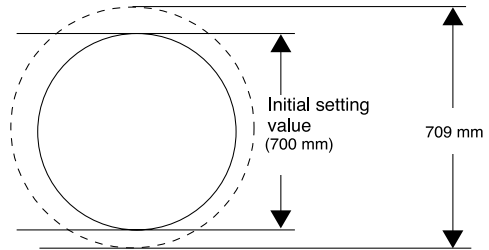
If the outer diameter of a tire varies with tire wear or tire pressure, it can be corrected in the following manner.

TIP

The initial value is preset with approximately 700 mm as 100%.

- If the outer diameter of a tire is larger than the initial value → Provide a larger set value.
- If the outer diameter of a tire is smaller than the initial value → Provide a smaller set value.

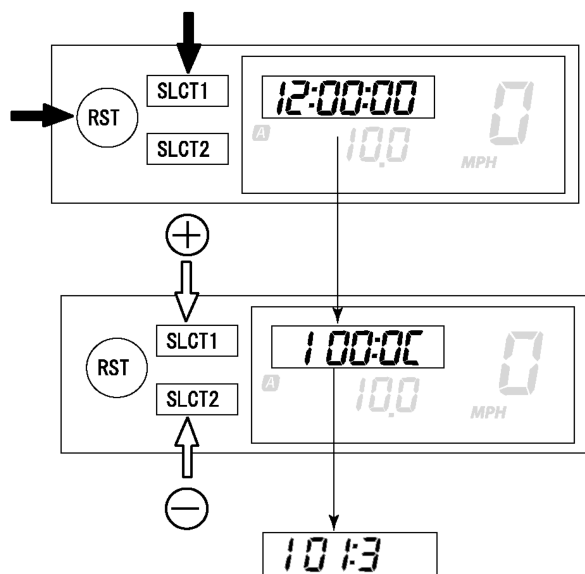
- Compute the difference in outer diameter from the initial value for the front tire.
Example) If the outer diameter of the tire is 709 mm, which is larger than initial value;
 $709 \text{ mm} / 700 \text{ mm} \times 100(\%) = 101.3(\%)$
Range capable of setting: 65.0–115.0%



- Push the "SLCT1" button and "RST" button for 2 seconds or more at the same time to enter tire diameter setting mode.
- Push the "SLCT1" button (plus) or "SLCT2" button (minus) and change the setting. A long push on the button will fast-forward the digits.

TIP

Colon (:) for the displayed tire diameter represents the decimal marker.



4. Push the "SLCT1" button and "RST" button for 2 seconds or more at the same time will finish the setting.

CHANGEOVER TO BASIC MODE/RACE MODE

TIP

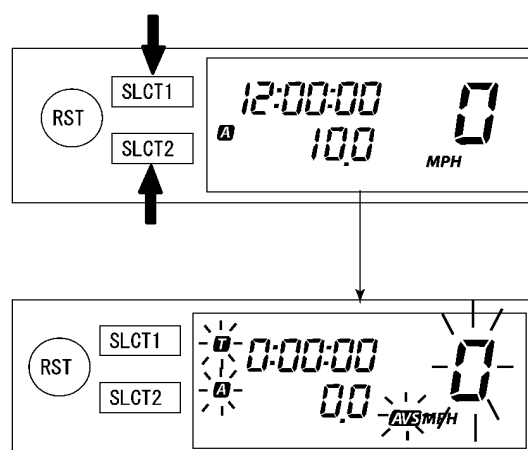
- RACE MODE displays the average speed, so it does not display the current speed. Average speed displayed in RACE MODE will be represented by a quotient of the distance accumulated by tripmeter A (TRIP A) divided by the period of time accumulated by the timer.
- Indicators **T** and **AVS** will light up as an identifier that shows RACE MODE has been selected.
- RACE MODE cannot display the functions as in BASIC MODE.
- Changeover to RACE MODE forces the digits for tripmeter A (TRIP A) in BASIC MODE to be reset.

Changeover from BASIC MODE to RACE MODE

1. Push the "SLCT1" button and "SLCT2" button for 2 seconds or more at the same time to change over to RACE MODE.

TIP

Changeover to RACE MODE will put manual start measurement on standby causing **T**, **A**, **AVS**, and the average speed display to flash. (For manual start, refer to "Putting measurement on standby" in "RACE MODE".)

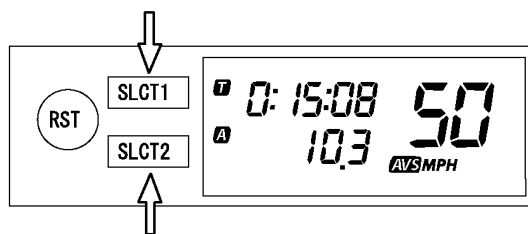


Returning to BASIC MODE from RACE MODE

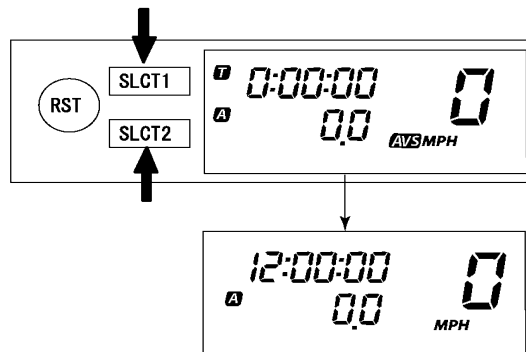
TIP

It is possible to return to BASIC MODE with timer measurement at a stop.

1. Check that the timer is not in operation. If the timer is in operation, stop the timer by pushing the "SLCT1" button and "SLCT2" button at the same time.



2. Push the "SLCT1" button and "SLCT2" button for 2 seconds or more at the same time to change over to BASIC MODE.



MULTI-FUNCTION DISPLAY

RACE MODE

Putting measurement on standby

TIP

Starting measurement consists of the following two starts, either of which can be selected.

• Manual start

Starting measurement by the rider himself operating the button. (A long push on the "SLCT2" button will put measurement on standby.)

• Auto start

Starting timer measurement automatically on detection of the movement of the machine. (A long push on the "SLCT1" button will put measurement on standby.)

Manual start

TIP

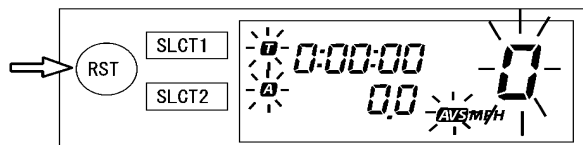
Initial setting at changeover to RACE MODE will remain for manual start.

1. Check that changeover to RACE MODE has been made. (Refer to "Changeover from BASIC MODE to RACE MODE".)

TIP

When the machine is made ready for a run by manual start, **T**, **A**, **AVS**, and the average speed display will start flashing.

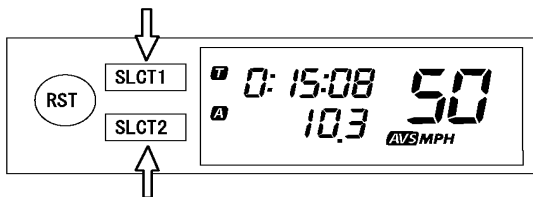
2. Start timer measurement by pushing the "RST" button.



3. When stopping timer measurement, pushing the "SLCT1" button and "SLCT2" button at the same time.

TIP

If the machine is run while timer measurement is not made, no change will occur to the digit in tripmeter A (TRIP A).



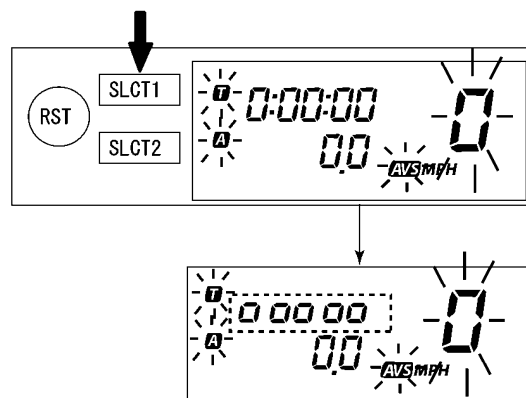
4. To resume the measurement, again push the "SLCT1" button and "SLCT2" button at the same time.

Auto start

1. Check that changeover has been made to RACE MODE. (Refer to "Changeover from BASIC MODE to RACE MODE".)
2. Make the machine ready for a run by pushing the "SLCT1" button for 2 seconds or more.

TIP

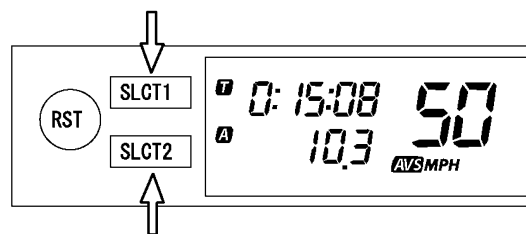
When the measurement is made ready for a run by auto start, **T**, **A**, **AVS**, and the average speed display will start flashing. Timer display will turn on scrolling from left to right.



3. Run the machine and start timer measurement.
4. To stop timer measurement, pushing the "SLCT1" button and "SLCT2" button at the same time.

TIP

If the machine is run while timer measurement is not made, no change will occur to the digit in tripmeter A (TRIP A).



5. To resume the measurement, again pushing the "SLCT1" button and "SLCT2" button at the same time.

Resetting measurement data

TIP

Resetting can be made in the following three manners.

Resetting is possible while timer measurement is made:

- Reset average speed (AVS).
 - Reset average speed (AVS)/tripmeter A.
- Resetting is possible while timer measurement is not made:

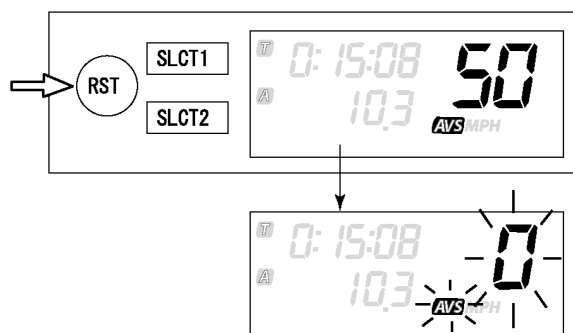
- Reset average speed (AVS)/tripmeter A/timer.

Resetting average speed (AVS)

1. Check that the timer is in operation. If the timer is not in operation, start the timer by pushing the "SLCT1" button and "SLCT2" button at the same time.
2. Reset the average speed display by pushing the "RST" button.

TIP

If reset, **AVS** and the average speed display will go on flashing for four seconds.

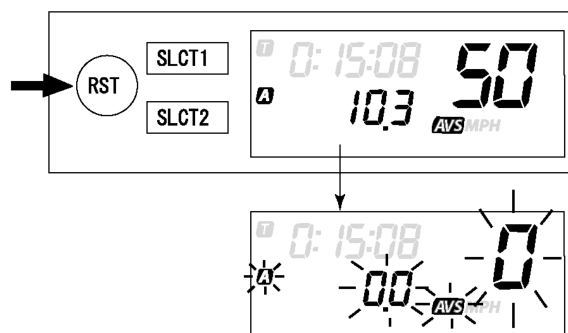


Resetting average speed (AVS) and tripmeter A (TRIP A)

1. Check that the timer is in operation. If the timer is not in operation, start the timer by pushing the "SLCT1" button and "SLCT2" button at the same time.
2. Reset tripmeter A (TRIP A) display and the average speed display by pushing the "RST" button for 2 seconds or more.

TIP

If reset, **AVS**, **A**, the travel distance display, and average speed display will go on flashing for four seconds.

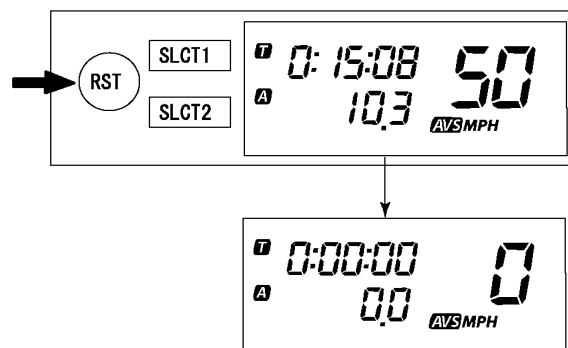


Resetting average speed (AVS), tripmeter A (TRIP A) and timer

1. Check that the timer is not in operation. If the timer is in operation, stop it by pushing the "SLCT1" button and "SLCT2" button at the same time.
2. Reset all measured data by pushing the "RST" button for 2 seconds or more.

TIP

- Resetting will reset the timer display, travel distance display, and average speed display and put measurement on standby.
- Auto start attempt will put measurement on standby as such. Likewise, manual start attempt will put measurement on standby as such.

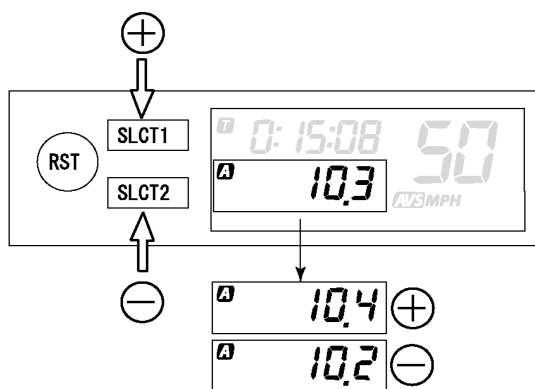


Correcting tripmeter A (TRIP A)

1. Change the travel distance display by pushing the "SLCT1" button (plus) or "SLCT2" button (minus). A long push on the button will fast-forward the change.

TIP

- Change can be made any time while timer measurement is or is not being made.
- Change in the travel distance display will be accompanied by the change in the average speed display.



Correcting tire diameter

TIP

- Correction can be made any time while timer measurement is or is not being made.
- Change in the travel distance display will be accompanied by the change in the tire's diametric percentage.
- Even back in BASIC MODE, the tire diameter set in RACE MODE will be retained.
- Correction to the tire diameter is impossible if the tripmeter indicates "0".
- If the machine is run while the tire diameter is being corrected, the tire's diametric correction will be cancelled forcibly.

1. Push the "SLCT1" button and "RST" button for 2 seconds or more at the same time and enter tire diameter correction mode.

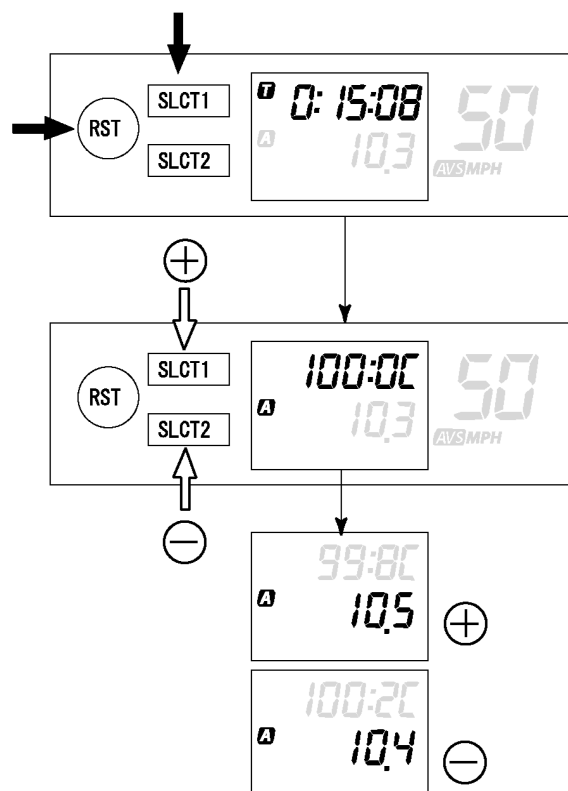
TIP

Changeover to tire correction mode will cause the timer display to change and show the diametric digit of the tire.

2. Change the digits of the travel distance by pushing the "SLCT1" button (plus) or "SLCT2" button (minus). A long push on the button will fast-forward the change in digits.

TIP

- Change in the digits of the travel distance will be accompanied by the change in the tire's diametric percentage.
- Colon (:) in the tire diameter display represents the decimal marker.
- If the tire diameter extends beyond the set range (65.0 to 115.0%), the error indicator "E" lights up for two seconds. After "E" goes off, the minimum (65%) or maximum (115%) will be automatically set.

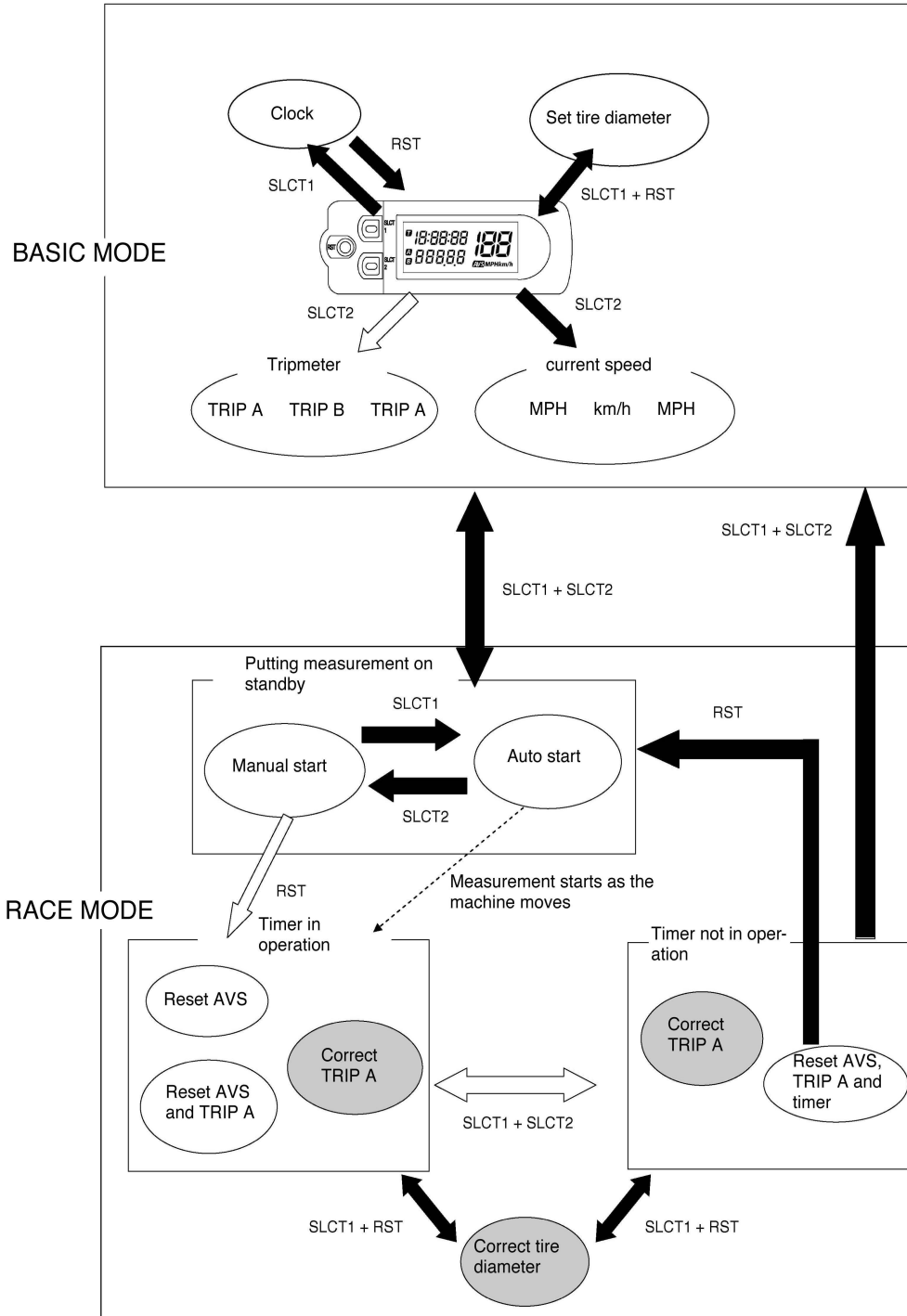
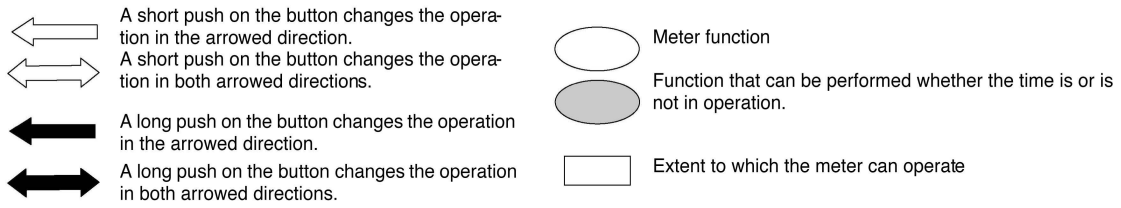


3. Push the "SLCT1" button and "RST" button for 2 seconds or more at the same time will finish the setting.

FUNCTION DIAGRAM

TIP

The following diagram illustrates the multi-function display regarding the direction and operation condition involved in each of its functions.



STARTING AND BREAK-IN

FUEL

Always use the recommended fuel as stated below. Also, be sure to use new gasoline.



Recommended fuel:
Premium unleaded gasoline only with a research octane number of 95 or higher.

NOTICE

Use only unleaded gasoline. The use of leaded gasoline will cause severe damage to the engine internal parts such as valves, piston rings, and exhaust system, etc.

TIP

If knocking or pinging occurs, use a different brand of gasoline or higher octane grade.

WARNING

- For refueling, be sure to stop the engine and use enough care not to spill any fuel. Also be sure to avoid refueling close to a fire.
- Refuel after the engine, exhaust pipe, etc. have cooled off.

Gasohol

There are two types of gasohol: gasohol containing ethanol and that containing methanol. Gasohol containing ethanol can be used if the ethanol content does not exceed 10%. Gasohol containing methanol is not recommended by Yamaha because it can cause damage to the fuel system or vehicle performance problems.

HANDLING NOTE

WARNING

Never start or run the engine in a closed area. The exhaust fumes are poisonous; they can cause loss of consciousness and death in a very short time. Always operate the machine in a well-ventilated area.

NOTICE

- The carburetor on this machine has a built-in accelerator pump. Therefore, when starting the engine, do not operate the throttle or the spark plug will foul.

- Unlike a two-stroke engine, this engine cannot be kick started when the throttle is open because the kickstarter may kick back. Also, if the throttle is open the air/fuel mixture may be too lean for the engine to start.
- Before starting the machine, perform the checks in the pre-operation check list.

AIR FILTER MAINTENANCE

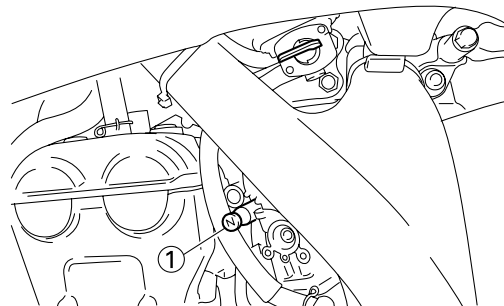
According to "CLEANING THE AIR FILTER ELEMENT" section in the CHAPTER 3, apply the foam-air-filter oil or its equivalent to the element. (Excess oil in the element may adversely affect engine starting.)

STARTING A COLD ENGINE

TIP

This model is equipped with an ignition circuit cut-off system. The engine can be started under the following conditions.

- When the transmission is in neutral.
 - When the clutch is disengaged with the transmission in any position. However, it is recommended to shift into neutral before starting the engine.
1. Inspect the coolant level.
 2. Turn the fuel cock to "ON".
 3. Push on the main switch to "ON".
 4. Shift the transmission into neutral.
 5. Fully open the cold starter knob "1".



6. Start the engine by pushing the start switch or by kicking the kickstarter crank.

TIP

If the engine fails to start by pushing the start switch, release the switch, wait a few seconds, and then try again. Each starting attempt should be as short as possible to preserve the battery. Do not crank the engine more than 10 seconds on any one attempt. If the engine does not start with the starter motor, try using the kickstarter crank.

WARNING

- If the starter motor will not turn when pushing the start switch, stop pushing it immediately and kick start the engine in order to avoid the load on the motor.
- Do not open the throttle while kicking the kickstarter crank. Otherwise, the kickstarter crank may kick back.

7. Return the cold starter knob to its original position and run the engine at 3,000–5,000 r/min for 1 or 2 minutes.

TIP

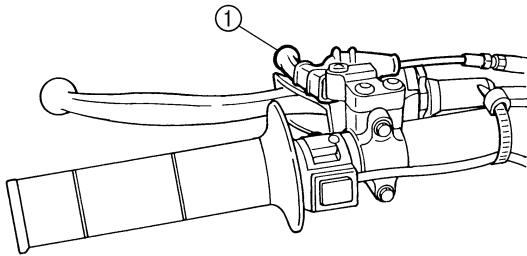
Since this model is equipped with an accelerator pump, if the engine is raced (the throttle opened and closed), the air/fuel mixture will be too rich and the engine may stall. Also unlike a two-stroke engine, this model can idle.

NOTICE

Do not warm up the engine for extended periods of time.

STARTING A WARM ENGINE

Do not operate the cold starter knob and throttle. Pull the hot starter lever "1" and start the engine by pushing the start switch or by kicking the kickstarter crank forcefully with a firm stroke. As soon as the engine starts, release the hot starter lever to close the air passage.



Restarting an engine after a fall

Pull the hot starter lever and start the engine. As soon as the engine starts, release the hot starter lever to close the air passage.

The engine fails to start

Pull the hot starter lever all the way out and while holding the lever, kick the kickstarter crank 10 to 20 times to clear the engine. Then, restart the engine. Refer to "Restarting an engine after a fall".

		Throttle grip operation*	Cold starter knob	Hot starter lever
Starting a cold engine	Air temperature = less than 5 °C (41 °F)	Open 3 or 4 times	ON	OFF
	Air temperature = more than 5 °C (41 °F)	None	ON	OFF
	Air temperature (normal temperature) = between 5 °C (41 °F) and 25 °C (77 °F)	None	ON/OFF	OFF
	Air temperature = more than 25 °C (77 °F)	None	OFF	OFF
Starting an engine after a long period of time		None	ON	OFF
Restarting a warm engine		None	OFF	ON
Restarting an engine after a fall		None	OFF	ON

* Operate the throttle grip before kick starting.

NOTICE

Observe the following break-in procedures during initial operation to ensure optimum performance and avoid engine damage.

BREAK-IN PROCEDURES

1. Before starting the engine, fill the fuel tank with the fuel.
2. Perform the pre-operation checks on the machine.
3. Start and warm up the engine. Check the idle speed, and check the operation of the controls and the engine stop switch. Then, restart the engine and check its operation within no more than 5 minutes after it is restarted.
4. Operate the machine in the lower gears at moderate throttle openings for five to eight minutes.
5. Check how the engine runs when the machine is ridden with the throttle 1/4 to 1/2 open (low to medium speed) for about one hour.

- Restart the engine and check the operation of the machine throughout its entire operating range. Restart the machine and operate it for about 10 to 15 more minutes.

NOTICE

After the break-in or before each ride, you must check the entire machine for loose fittings and fasteners as per "TORQUE-CHECK POINTS". Tighten all such fasteners as required.

TORQUE-CHECK POINTS

TORQUE-CHECK POINTS

Frame construction			Frame to rear frame	
		Combined seat and fuel tank	Fuel tank to frame	
Exhaust system			Silencer to rear frame	
Engine mounting			Frame to engine	
			Engine bracket to engine	
			Engine bracket to frame	
Steering	Steering stem to handlebar		Steering stem to frame	
			Steering stem to upper bracket	
			Upper bracket to handlebar	
Suspension	Front	Steering stem to front fork	Front fork to upper bracket	
			Front fork to lower bracket	
	Rear	For link type	Assembly of links	
			Link to frame	
			Link to rear shock absorber	
			Link to swingarm	
		Installation of rear shock absorber	Rear shock absorber to frame	
Installation of swingarm	Tightening of pivot shaft			
Wheel	Installation of wheel		Front	Tightening of wheel axle
				Tightening of axle holder
			Rear	Tightening of wheel axle
				Wheel to rear wheel sprocket
Brake	Front		Brake caliper to front fork	
			Brake disc to wheel	
			Tightening of union bolt	
			Brake master cylinder to handlebar	
			Tightening of bleed screw	
			Tightening of brake hose holder	
	Rear		Brake pedal to frame	
			Brake disc to wheel	
			Tightening of union bolt	
			Brake master cylinder to frame	
			Tightening of bleed screw	
		Tightening of brake hose holder		
Fuel system			Fuel tank to fuel cock	
Lubrication system			Tightening of oil hose clamp	

TIP

Concerning the tightening torque, refer to "TIGHTENING TORQUES" section in the CHAPTER 2.

CLEANING AND STORAGE

CLEANING

Frequent cleaning of your machine will enhance its appearance, maintain good overall performance, and extend the life of many components.

1. Before washing the machine, block off the end of the exhaust pipe to prevent water from entering. A plastic bag secured with a rubber band may be used for this purpose.
2. If the engine is excessively greasy, apply some degreaser to it with a paint brush. Do not apply degreaser to the chain, sprockets, or wheel axles.
3. Rinse the dirt and degreaser off with a garden hose; use only enough pressure to do the job.

NOTICE

Do not use high-pressure washers or steam-jet cleaners since they cause water seepage and deterioration seals.

4. After the majority of the dirt has been hosed off, wash all surfaces with warm water and a mild detergent. Use an old toothbrush to clean hard-to-reach places.
5. Rinse the machine off immediately with clean water, and dry all surfaces with a soft towel or cloth.
6. Immediately after washing, remove excess water from the chain with a paper towel and lubricate the chain to prevent rust.
7. Clean the seat with a vinyl upholstery cleaner to keep the cover pliable and glossy.
8. Automotive wax may be applied to all painted or chromed surfaces. Avoid combination cleaner-waxes, as they may contain abrasives.
9. After completing the above, start the engine and allow it to idle for several minutes.

STORAGE

If your machine is to be stored for 60 days or more, some preventive measures must be taken to avoid deterioration. After cleaning the machine thoroughly, prepare it for storage as follows:

1. Drain the fuel tank, fuel lines, and the carburetor float bowl.
2. Remove the spark plug, pour a tablespoon of SAE 10W-40 motor oil in the spark plug hole, and reinstall the plug. With the engine stop switch pushed in, kick the engine over several times to coat the cylinder walls with oil.
3. Remove the drive chain, clean it thoroughly with solvent, and lubricate it. Reinstall the chain or store it in a plastic bag tied to the frame.
4. Lubricate all control cables.
5. Block the frame up to raise the wheels off the ground.
6. Tie a plastic bag over the exhaust pipe outlet to prevent moisture from entering.
7. If the machine is to be stored in a humid or salt-air environment, coat all exposed metal surfaces with a film of light oil. Do not apply oil to rubber parts or the seat cover.

TIP

Make any necessary repairs before the machine is stored.

SPECIFICATIONS GENERAL SPECIFICATIONS

Model name:	WR450FA (USA, CDN, AUS, NZ) WR450F (EUROPE, ZA)		
Model code number:	1HB1 (USA) 1HB2 (CDN) 1HB3 (EUROPE) 1HB4 (AUS, NZ, ZA)		
Dimensions:	USA, CDN, ZA	EUROPE	AUS, NZ
Overall length	2,175 mm (85.63 in)	2,200 mm (86.61 in)	2,185 mm (86.02 in)
Overall width	825 mm (32.48 in)	←	←
Overall height	1,300 mm (51.18 in)	1,305 mm (51.38 in)	←
Seat height	980 mm (38.58 in)	990 mm (38.98 in)	985 mm (38.78 in)
Wheelbase	1,485 mm (58.46 in)	1,500 mm (59.06 in)	1,485 mm (58.46 in)
Minimum ground clearance	365 mm (14.37 in)	←	←
Weight:	USA		CDN, EUROPE, AUS, NZ, ZA
With oil and fuel	121 kg (267 lb)		122 kg (270 lb)
Engine:	Liquid cooled 4-stroke, DOHC Single cylinder, forward inclined 449 cm ³ (15.8 Imp oz, 15.2 US oz) 95.0 × 63.4 mm (3.74 × 2.50 in) 12.3 : 1 Kick and electric starter		
Lubrication system:	Dry sump		
Oil type or grade:	Recommended brand: YAMALUBE SAE 10W-30, SAE 10W-40, SAE 10W-50, SAE 15W-40, SAE 20W-40 or SAE 20W-50 API service SG type or higher, JASO standard MA		
Engine oil	<p>-20 -10 0 10 20 30 40 50 °C</p> <p>SAE 10W-30</p> <p>SAE 10W-40</p> <p>SAE 10W-50</p> <p>SAE 15W-40</p> <p>SAE 20W-40</p> <p>SAE 20W-50</p>		

GENERAL SPECIFICATIONS

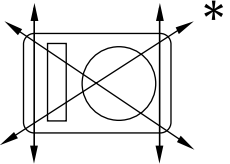
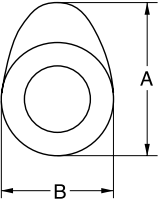
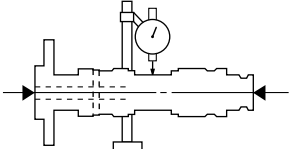
Oil capacity:			
Engine oil			
Periodic oil change	0.95 L (0.84 Imp qt, 1.00 US qt)		
With oil filter replacement	1.0 L (0.88 Imp qt, 1.06 US qt)		
Total amount	1.2 L (1.06 Imp qt, 1.27 US qt)		
Coolant capacity (including all routes):	1.0 L (0.88 Imp qt, 1.06 US qt)		
Air filter:	Wet type element		
Fuel:			
Type	Premium unleaded gasoline only with a research octane number of 95 or higher.		
Tank capacity	8.0 L (1.76 Imp gal, 2.11 US gal)		
Reserve	1.1 L (0.24 Imp gal, 0.29 US gal)		
Carburetor:			
Type	FCR-MX39		
Manufacturer	KEIHIN		
Spark plug:			
Type/manufacturer	CR8E/NGK (resistance type)		
Gap	0.7–0.8 mm (0.028–0.031 in)		
Clutch type:	Wet, multiple-disc		
Transmission:	USA, CDN, AUS, NZ, ZA	EUROPE	
Primary reduction system	Gear	←	
Primary reduction ratio	61/23 (2.652)	←	
Secondary reduction system	Chain drive	←	
Secondary reduction ratio	50/13 (3.846)	47/14(3.357)	
Transmission type	Constant mesh, 5-speed	←	
Operation	Left foot operation	←	
Gear ratio:			
1st	29/12 (2.417)	←	
2nd	26/15 (1.733)	←	
3rd	21/16 (1.313)	←	
4th	21/20 (1.050)	←	
5th	21/25 (0.840)	←	
Chassis:	USA, CDN, ZA	EUROPE	AUS, NZ
Frame type	Semi double cradle	←	←
Caster angle	27.3 °	26.8 °	27.0 °
Trail	117 mm (4.61 in)	115 mm (4.53 in)	116 mm (4.57 in)

GENERAL SPECIFICATIONS

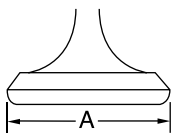
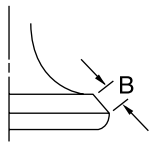
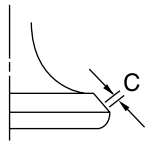
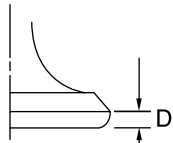
<p>Tire:</p> <p>Type</p> <p>Size (front)</p> <p>Size (rear)</p> <p>Tire pressure (front and rear)</p>	<p>With tube</p> <p>80/100-21 51M (USA, CDN, ZA)</p> <p>90/90-21 M/C 54M M+S (EUROPE, AUS, NZ)</p> <p>110/100-18 64M (USA, CDN, ZA)</p> <p>130/90-18 M/C 69M M+S (EUROPE, AUS, NZ)</p> <p>100 kPa (1.0 kgf/cm², 15 psi)</p>
<p>Brake:</p> <p>Front brake type</p> <p>Operation</p> <p>Rear brake type</p> <p>Operation</p>	<p>Single disc brake</p> <p>Right hand operation</p> <p>Single disc brake</p> <p>Right foot operation</p>
<p>Suspension:</p> <p>Front suspension</p> <p>Rear suspension</p>	<p>Telescopic fork</p> <p>Swingarm (link type monocross suspension)</p>
<p>Shock absorber:</p> <p>Front shock absorber</p> <p>Rear shock absorber</p>	<p>Coil spring/oil damper</p> <p>Coil spring/gas, oil damper</p>
<p>Wheel travel:</p> <p>Front wheel travel</p> <p>Rear wheel travel</p>	<p>300 mm (11.8 in)</p> <p>305 mm (12.0 in)</p>
<p>Electrical:</p> <p>Ignition system</p> <p>Generator system</p> <p>Battery type</p> <p>Battery voltage/capacity</p> <p>Specific gravity</p>	<p>CDI</p> <p>AC magneto</p> <p>YTZ7S (F)</p> <p>12V/6 AH</p> <p>1.310</p>
<p>Headlight type:</p>	<p>Quartz bulb (halogen)</p>
<p>Bulb wattage × quantity:</p> <p>Headlight</p> <p>Taillight</p>	<p>12 V 35/36.5 W × 1</p> <p>12 V 1.6/0.3 W × 1</p>

MAINTENANCE SPECIFICATIONS

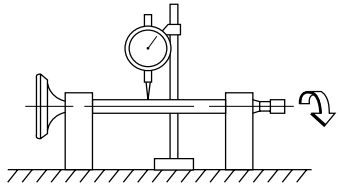
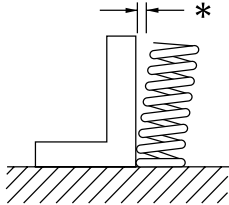
ENGINE

Item	Standard	Limit
Cylinder head: Warp limit 	----	0.05 mm (0.002 in)
Cylinder: Bore size Out of round limit	95.00–95.01 mm (3.7402–3.7406 in) ----	---- 0.05 mm (0.002 in)
Camshaft: Drive method Camshaft cap inside diameter Camshaft outside diameter Shaft-to-cap clearance Cam dimensions  Intake "A" Intake "B" Exhaust "A" Exhaust "B" Camshaft runout limit 	Chain drive (Left) 22.000–22.021 mm (0.8661–0.8670 in) 21.959–21.972 mm (0.8645–0.8650 in) 0.028–0.062 mm (0.0011–0.0024 in) 30.100–30.200 mm (1.1850–1.1890 in) 22.450–22.550 mm (0.8839–0.8878 in) 30.200–30.300 mm (1.1890–1.1929 in) 22.450–22.550 mm (0.8839–0.8878 in) ----	---- ---- 0.08 mm (0.003 in) 30.000 mm (1.1811 in) 22.350 mm (0.8799 in) 30.100 mm (1.1850 in) 22.350 mm (0.8799 in) 0.03 mm (0.0012 in)

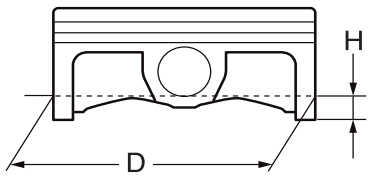
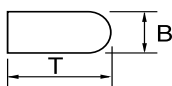
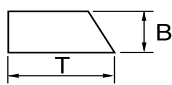
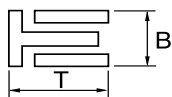
MAINTENANCE SPECIFICATIONS

Item	Standard	Limit
Timing chain:		
Timing chain type/No. of links	98XRH2010-118M/118	----
Timing chain adjustment method	Automatic	----
Valve, valve seat, valve guide:		
Valve clearance (cold)		
IN	0.10–0.15 mm (0.0039–0.0059 in)	----
EX	0.20–0.25 mm (0.0079–0.0098 in)	----
Valve dimensions:		
"A" head diameter (IN)	26.9–27.1 mm (1.0591–1.0669 in)	----
"A" head diameter (EX)	27.9–28.1 mm (1.0984–1.1063 in)	----
		
"B" face width (IN)	2.26 mm (0.089 in)	----
"B" face width (EX)	2.26 mm (0.089 in)	----
		
"C" seat width (IN)	0.9–1.1 mm (0.0354–0.0433 in)	1.6 mm (0.0630 in)
"C" seat width (EX)	0.9–1.1 mm (0.0354–0.0433 in)	1.6 mm (0.0630 in)
		
"D" margin thickness (IN)	1 mm (0.0394 in)	0.85 mm (0.033 in)
"D" margin thickness (EX)	1 mm (0.0394 in)	0.85 mm (0.033 in)
		
Stem outside diameter (IN)	4.475–4.490 mm (0.1762–0.1768 in)	4.445 mm (0.1750 in)
Stem outside diameter (EX)	4.965–4.980 mm (0.1955–0.1961 in)	4.935 mm (0.1943 in)

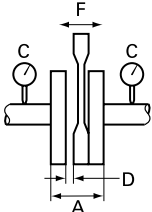
MAINTENANCE SPECIFICATIONS

Item	Standard	Limit
Guide inside diameter (IN)	4.500–4.512 mm (0.1772–0.1776 in)	4.550 mm (0.1791 in)
Guide inside diameter (EX)	5.000–5.012 mm (0.1969–0.1973 in)	5.050 mm (0.1988 in)
Stem-to-guide clearance (IN)	0.010–0.037 mm (0.0004–0.0015 in)	0.08 mm (0.003 in)
Stem-to-guide clearance (EX)	0.020–0.047 mm (0.0008–0.0019 in)	0.10 mm (0.004 in)
Stem runout limit	----	0.01 mm (0.0004 in)
		
Valve spring:		
Free length (IN)	39.46 mm (1.55 in)	38.46 mm (1.51 in)
Free length (EX)	37.61 mm (1.48 in)	36.61 mm (1.44 in)
Set length (valve closed) (IN)	27.87 mm (1.10 in)	----
Set length (valve closed) (EX)	28.38 mm (1.12 in)	----
Compressed force (installed) (IN)	130.2–149.8 N at 27.87 mm (13.28–15.28 kg at 27.87 mm, 29.27–33.68 lb at 1.10 in)	----
Compressed force (installed) (EX)	123.1–141.7 N at 28.38 mm (12.55–14.45 kg at 28.38 mm, 27.67–31.85 lb at 1.12 in)	----
Tilt limit* (IN)	----	2.5°/1.7 mm (2.5°/0.067 in)
Tilt limit* (EX)	----	2.5°/1.6 mm (2.5°/0.063 in)
		
Direction of winding (top view) (IN)	Clockwise	----
Direction of winding (top view) (EX)	Clockwise	----

MAINTENANCE SPECIFICATIONS

Item	Standard	Limit
Piston:		
Piston to cylinder clearance	0.020–0.045 mm (0.0008–0.0018 in)	0.1 mm (0.004 in)
Piston size "D"	94.965–94.980 mm (3.7388–3.7394 in)	----
		
Measuring point "H"	8 mm (0.315 in)	----
Piston off-set	1 mm (0.0394 in)	----
Piston pin bore inside diameter	18.004–18.015 mm (0.7088–0.7093 in)	18.045 mm (0.7104 in)
Piston pin outside diameter	17.991–18.000 mm (0.7083–0.7087 in)	17.971 mm (0.7075 in)
Piston rings:		
Top ring:		
		
Type	Barrel	----
Dimensions (B × T)	1.2 × 3.5 mm (0.05 × 0.14 in)	----
End gap (installed)	0.20–0.30 mm (0.008–0.012 in)	0.55 mm (0.022 in)
Side clearance (installed)	0.030–0.065 mm (0.0012–0.0026 in)	0.12 mm (0.005 in)
2nd ring:		
		
Type	Taper	----
Dimensions (B × T)	1.00 × 3.35 mm (0.04 × 0.13 in)	----
End gap (installed)	0.35–0.50 mm (0.014–0.020 in)	0.85 mm (0.033 in)
Side clearance	0.020–0.055 mm (0.0008–0.0022 in)	0.12 mm (0.005 in)
Oil ring:		
		
Dimensions (B × T)	2.0 × 2.9 mm (0.08 × 0.11 in)	----
End gap (installed)	0.2–0.5 mm (0.01–0.02 in)	----

MAINTENANCE SPECIFICATIONS

Item	Standard	Limit
Crankshaft: Crank width "A" Runout limit "C" Big end side clearance "D" Small end free play "F"	61.95–62.00 mm (2.439–2.441 in) 0.03 mm (0.0012 in) 0.15–0.45 mm (0.0059–0.0177 in) 0.4–1.0 mm (0.02–0.04 in)	---- 0.05 mm (0.002 in) 0.50 mm (0.02 in) 2.0 mm (0.08 in)
		
Balancer: Balancer drive method	Gear	----
Air filter oil grade:	Foam-air-filter oil or equivalent oil	----
Clutch: Friction plate thickness Quantity Clutch plate 1 thickness Quantity Warp limit Clutch plate 2 thickness Quantity Warp limit Clutch spring free length Quantity Clutch housing thrust clearance Clutch housing radial clearance Clutch release method	2.92–3.08 mm (0.115–0.121 in) 8 1.9–2.1 mm (0.075–0.083 in) 4 ---- 1.5–1.7 mm (0.059–0.067 in) 3 ---- 50.0 mm (1.97 in) 6 0.10–0.35 mm (0.0039–0.0138 in) 0.010–0.044 mm (0.0004–0.0017 in) Inner push, cam push	2.8 mm (0.110 in) ---- ---- 0.1 mm (0.004 in) ---- ---- 0.1 mm (0.004 in) 49.0 mm (1.93 in) ---- ---- ----
Shifter: Shifter type Guide bar bending limit	Cam drum and guide bar ----	---- 0.05 mm (0.002 in)
Kickstarter: Type	Ratchet type	----

MAINTENANCE SPECIFICATIONS

Item	Standard		Limit
	USA, CDN, AUS, NZ, ZA	EUROPE	
Carburetor:			
I. D. mark	5TJE E0	5TJL L0	----
Main jet (M.J)	#162	#160	----
Main air jet (M.A.J)	ø2.0	←	----
Jet needle (J.N)	NFNT	NNHU	----
Cutaway (C.A)	1.5	←	----
Pilot jet (P.J)	#45	#48	----
Pilot air jet (P.A.J)	#70	←	----
Pilot outlet (P.O)	ø0.9	←	----
Bypass (B.P)	ø1.0	←	----
Valve seat size (V.S)	ø3.8	←	----
Starter jet (G.S)	#65	←	----
Leak jet (Acc.P)	#60	←	----
Float height (F.H)	8 mm (0.31 in)	←	----
Engine idle speed	1,750–1,950 r/ min	←	----
Intake vacuum	34.8–40.1 kPa (261–301 mmHg, 10.28– 11.85 inHg)	←	----
Hot starter lever free play	3–6 mm (0.12– 0.24 in)	←	----
Lubrication system:			
Oil filter type	Paper type		----
Oil pump type	Trochoid type		----
Tip clearance	0.12 mm or less (0.0047 in or less)		0.20 mm (0.008 in)
Side clearance	0.09–0.17 mm (0.0035–0.0067 in)		0.24 mm (0.009 in)
Housing and rotor clearance	0.03–0.10 mm (0.0012–0.0039 in)		0.17 mm (0.0067 in)
Bypass valve setting pressure	40–80 kPa (0.4–0.8 kg/cm ² , 5.69– 11.38 psi)		----
Cooling:			
Radiator core size			
Width	120.2 mm (4.73 in)		----
Height (Left/Right)	260 mm (10.24 in)/240 mm (9.45 in)		----
Thickness	22 mm (0.87 in)		----
Radiator cap opening pressure	110 kPa (1.1 kg/cm ² , 15.6 psi)		----
Radiator capacity (total)	0.57 L (0.50 Imp qt, 0.60 US qt)		----

MAINTENANCE SPECIFICATIONS

Item	Standard	Limit
Water pump Type	Single-suction centrifugal pump	----

CHASSIS

Item	Standard	Limit
Steering system: Steering bearing type	Taper roller bearing	----
Front suspension:	USA, CDN	EUROPE, AUS, NZ, ZA
Front fork travel	300 mm (11.8 in)	←
Fork spring free length	460 mm (18.1 in)	←
Spring rate, STD	K = 4.5 N/mm (0.459 kg/mm, 25.7 lb/in)	←
Optional spring/spacer	Yes	←
Oil capacity	648 cm ³ (22.8 Imp oz, 21.9 US oz)	655 cm ³ (23.1 Imp oz, 22.1 US oz)
Oil level	132 mm (5.20 in)	125 mm (4.92 in)
<Min.–Max.> (From top of outer tube with inner tube and damper rod fully compressed without spring.)	95–150 mm (3.74–5.91 in)	←
Oil grade	Suspension oil "S1"	←
Inner tube outer diameter	48 mm (1.89 in)	←
Front fork top end	Zero mm (Zero in)	←
Rear suspension:	USA, CDN, AUS, NZ, ZA	EUROPE
Shock absorber travel	130 mm (5.12 in)	←
Spring free length	260 mm (10.24 in)	←
Fitting length	252.5 mm (9.94 in)	251.5 mm (9.90 in)
Preload length <Min.–Max.>	1.5–22 mm (0.06–0.87 in)	←
Spring rate, STD	K = 54.0 N/mm (5.50 kg/mm, 308.0 lb/in)	←
Optional spring	Yes	←
Enclosed gas pressure	1,000 kPa (10 kg/cm ² , 142 psi)	←
Swingarm: Swingarm free play limit End	----	1.0 mm (0.04 in)

MAINTENANCE SPECIFICATIONS

Item	Standard	Limit
Wheel:		
Front wheel type	Spoke wheel	----
Rear wheel type	Spoke wheel	----
Front rim size/material	21 × 1.60/Aluminum	----
Rear rim size/material	18 × 2.15/Aluminum	----
Rim runout limit:		
Radial	----	2.0 mm (0.08 in)
Lateral	----	2.0 mm (0.08 in)
Drive chain:		
Type/manufacturer	DID520VM/DAIDO	----
Number of links	113 links + joint	----
Chain slack	48–58 mm (1.9–2.3 in)	----
Chain length (15 links)	----	239.3 mm (9.42 in)
Front disc brake:		
Disc outside dia. × Thickness	250 × 3.0 mm (9.84 × 0.12 in)	250 × 2.5 mm (9.84 × 0.10 in)
Pad thickness	4.4 mm (0.17 in)	1.0 mm (0.04 in)
Master cylinder inside dia.	11.0 mm (0.433 in)	----
Caliper cylinder inside dia.	27.0 mm (1.063 in) × 2	----
Brake fluid type	DOT #4	----
Rear disc brake:		
Disc outside dia. × Thickness	245 × 4.0 mm (9.65 × 0.16 in)	245 × 3.5 mm (9.65 × 0.14 in)
Deflection limit	----	0.15 mm (0.006 in)
Pad thickness	6.4 mm (0.25 in)	1.0 mm (0.04 in)
Master cylinder inside dia.	11.0 mm (0.433 in)	----
Caliper cylinder inside dia.	25.4 mm (1.000 in) × 1	----
Brake fluid type	DOT #4	----
Brake lever and brake pedal:		
Brake lever position	95 mm (3.74 in)	----
Brake pedal height (vertical height above footrest top)	10 mm (0.39 in)	----
Clutch lever free play (lever end)	8–13 mm (0.31–0.51 in)	----
Throttle grip free play	3–5 mm (0.12–0.20 in)	----

MAINTENANCE SPECIFICATIONS

ELECTRICAL

Item	Standard			Limit
Ignition system: Advancer type	Electrical			----
CDI:	USA, CDN	EUROPE	AUS, NZ, ZA	
Pickup coil resistance (color)	248–372 Ω at 20 °C (68 °F) (White–Red)	←	←	----
CDI unit-model/manufacturer	5TJ-E0/YA- MAHA	5TJ-L0/YA- MAHA	5TJ-F0/YA- MAHA	----
Ignition coil:				
Model/manufacturer	5TA-10/DENSO			----
Minimum spark gap	6 mm (0.24 in)			----
Primary coil resistance	0.08–0.10 Ω at 20 °C (68 °F)			----
Secondary coil resistance	4.6–6.8 k Ω at 20 °C (68 °F)			----
Charging system:				
System type	AC magneto			----
Model (stator)/manufacturer	5TJ 50/YAMAHA			----
Normal output	14 V/120 W at 5,000 r/min			----
Charging coil resistance (color)	0.288–0.432 Ω at 20 °C (68 °F) (White– Ground)			----
Lighting coil resistance (color)	0.224–0.336 Ω at 20 °C (68 °F) (Yellow– Ground)			----
Rectifier/regulator:				
Regulator type	Semiconductor short circuit			----
Model/manufacturer	SH770AA/SHINDENGEN			----
Regulated voltage (AC)	12.5–13.5 V			----
Regulated voltage (DC)	14.0–15.0 V			----
Rectifier capacity (AC)	12 A			----
Rectifier capacity (DC)	8 A			----
Electric starting system:				
Type	Constant mesh			----
Starter motor:				
Model/manufacturer	5UM20/YAMAHA			----
Operation voltage	12 V			----
Output	0.48 kW			----
Armature coil resistance	0.0117–0.0143 Ω at 20 °C (68 °F)			----
Brush overall length	7 mm (0.28 in)			3.5 mm (0.14 in)
Brush quantity	2 pcs.			----

MAINTENANCE SPECIFICATIONS

Item	Standard	Limit
Spring force	3.92–5.88 N (400–600 g, 14.1–21.2 oz)	----
Commutator diameter	17.6 mm (0.69 in)	16.6 mm (0.65 in)
Mica undercut (depth)	1.5 mm (0.06 in)	----
Starter relay:		
Model/manufacture	RC19-042/MITSUBA	----
Amperage rating	180 A	----
Coil winding resistance	4.2–4.6 Ω at 20 °C (68 °F)	----
Starting circuit cut-off relay:		
Model/manufacture	ACM33221 M38/MATSUSHITA	----
Coil winding resistance	75.69–92.51 Ω at 20 °C (68 °F)	----
Fuse (amperage×quantity):		
Main fuse	10 A × 1	----
Reserve fuse	10 A × 1	----

TIGHTENING TORQUES

ENGINE

TIP

△ - marked portion shall be checked for torque tightening after break-in.

TIP

*1: Tighten the cylinder head bolts to 30 Nm (3.0 m•kg, 22 ft•lb) in the proper tightening sequence, remove and retighten the cylinder head bolts to 20 Nm (2.0 m•kg, 14 ft•lb) in the proper tightening sequence, and then tighten the cylinder head bolts further to reach the specified angle 180° in the proper tightening sequence.

	Part to be tightened	Thread size	Q'ty	Tightening torque		
				Nm	m•kg	ft•lb
	Spark plug	M10S × 1.0	1	13	1.3	9.4
	Camshaft cap	M6 × 1.0	10	10	1.0	7.2
	Cylinder head blind plug screw	M12 × 1.0	1	28	2.8	20
	Cylinder head (stud bolt)	M8 × 1.25	1	15	1.5	11
	Cylinder head (bolt)	M10 × 1.25	4	Refer to TIP.*1		
	Cylinder head (bolt)	M6 × 1.0	2	10	1.0	7.2
	Cylinder head cover	M6 × 1.0	2	10	1.0	7.2
	Cylinder	M6 × 1.0	1	10	1.0	7.2
	Timing chain tensioner	M6 × 1.0	2	10	1.0	7.2
	Timing chain tensioner cap bolt	M6 × 1.0	1	7	0.7	5.1
	Timing chain guide (intake side)	M6 × 1.0	2	10	1.0	7.2
	Exhaust pipe (nut)	M8 × 1.25	1	20	2.0	14
	Exhaust pipe (bolt)	M8 × 1.25	1	20	2.0	14
△	Silencer	M8 × 1.25	2	30	3.0	22
	Silencer clamp	M8 × 1.25	1	16	1.6	11
	Exhaust pipe protector	M6 × 1.0	3	10	1.0	7.2
	Spark arrester	M5 × 0.8	4	7	0.7	5.1
	Silencer cap	M5 × 0.8	6	5	0.5	3.6
	Air induction pipe	M6 × 1.0	2	10	1.0	7.2
	Air cut-off valve assembly and bracket	M6 × 1.0	2	10	1.0	7.2
	Bracket (air cut-off valve) and frame	M6 × 1.0	2	7	0.7	5.1
	Carburetor joint	M6 × 1.0	3	10	1.0	7.2
	Carburetor joint clamp	M4 × 0.7	1	3	0.3	2.2
△	Air filter case	M6 × 1.0	2	8	0.8	5.8
	Air filter joint clamp	M6 × 1.0	1	3	0.3	2.2
	Air filter joint and air filter case	M5 × 0.8	1	4	0.4	2.9
	Throttle cable adjust bolt and locknut	M6 × 0.75	1	4	0.4	2.9
	Throttle cable (pull)	M6 × 1.0	1	4	0.4	2.9
	Throttle cable (return)	M12 × 1.0	1	11	1.1	8.0
	Throttle cable cover	M5 × 0.8	2	4	0.4	2.9

TIGHTENING TORQUES

Part to be tightened	Thread size	Q'ty	Tightening torque		
			Nm	m•kg	ft•lb
Hot starter plunger	M12 × 1.0	1	2	0.2	1.4
Hot starter cable adjust bolt and locknut	M6 × 0.75	1	4	0.4	2.9
Air filter element	M6 × 1.0	1	2	0.2	1.4
Radiator stay	M6 × 1.0	6	7	0.7	5.1
Radiator	M6 × 1.0	4	10	1.0	7.2
Radiator hose clamp	M6 × 1.0	8	2	0.2	1.4
Radiator pipe 1, 2	M10 × 1.0	2	10	1.0	7.2
Impeller	M8 × 1.25	1	14	1.4	10
Water pump housing cover	M6 × 1.0	3	10	1.0	7.2
Coolant drain bolt	M6 × 1.0	1	10	1.0	7.2
Oil pump cover	M4 × 0.7	1	2	0.2	1.4
Oil pump	M6 × 1.0	2	10	1.0	7.2
Oil pump drive gear shaft	M6 × 1.0	1	10	1.0	7.2
Engine oil drain bolt (oil filter)	M6 × 1.0	1	10	1.0	7.2
Oil filter cover	M6 × 1.0	2	10	1.0	7.2
Oil check bolt (cylinder head)	M6 × 1.0	1	10	1.0	7.2
△ Oil hose clamp	—	2	2	0.2	1.4
Crankshaft end accessing screw	M27 × 1.5	1	10	1.0	7.2
Timing mark accessing screw	M14 × 1.5	1	6	0.6	4.3
Clutch cover	M6 × 1.0	7	10	1.0	7.2
Crankcase cover (right)	M6 × 1.0	8	10	1.0	7.2
Crankcase cover (right)	M6 × 1.0	2	12	1.2	8.7
Crankcase cover (left)	M6 × 1.0	8	10	1.0	7.2
Idle gear cover (starter motor)	M6 × 1.0	2	10	1.0	7.2
Crankcase	M6 × 1.0	12	12	1.2	8.7
Clutch cable holder	M6 × 1.0	1	10	1.0	7.2
Oil drain bolt (crankcase right)	M6 × 1.25	1	20	2.0	14
Oil drain bolt (crankcase left)	M6 × 1.0	1	20	2.0	14
Oil check bolt (crankcase)	M6 × 1.0	1	10	1.0	7.2
Oil strainer	M6 × 1.0	1	10	1.0	7.2
Crankcase bearing stopper	M6 × 1.0	4	14	1.4	10
Crankcase bearing stopper	M6 × 1.0	8	10	1.0	7.2
Drive axle oil seal stopper	M6 × 1.0	2	10	1.0	7.2
Ratchet wheel guide	M6 × 1.0	2	12	1.2	8.7
Kickstarter crank	M8 × 1.25	1	33	3.3	24
Screw (kickstarter crank)	M6 × 1.0	1	7	0.7	5.1
Starter clutch	M6 × 1.0	6	16	1.6	11
Primary drive gear	M20 × 1.0	1	110	11.0	80

TIGHTENING TORQUES

Part to be tightened	Thread size	Q'ty	Tightening torque		
			Nm	m•kg	ft•lb
Clutch boss	M20 × 1.0	1	75	7.5	54
Clutch cable adjust bolt and locknut	M8 × 1.0	1	4	0.4	2.9
Clutch spring	M6 × 1.0	6	10	1.0	7.2
Balancer	M10 × 1.0	1	45	4.5	32
Balancer driven gear	M14 × 1.0	1	50	5.0	36
Balancer weight plate	M6 × 1.0	3	10	1.0	7.2
Drive sprocket	M20 × 1.0	1	75	7.5	54
Drive chain sprocket cover	M6 × 1.0	2	7	0.7	5.1
Shift pedal	M6 × 1.0	1	12	1.2	8.7
Shift guide	M6 × 1.0	2	10	1.0	7.2
Stopper lever	M6 × 1.0	1	10	1.0	7.2
Segment	M8 × 1.25	1	30	3.0	22

CHASSIS

TIP

△ - marked portion shall be checked for torque tightening after break-in.

	Part to be tightened	Thread size	Q'ty	Tightening torque		
				Nm	m•kg	ft•lb
△	Upper bracket and outer tube	M8 × 1.25	4	21	2.1	15
△	Lower bracket and outer tube	M8 × 1.25	4	21	2.1	15
△	Upper bracket and steering stem	M24 × 1.0	1	145	14.5	105
△	Handlebar holder (upper)	M8 × 1.25	4	28	2.8	20
△	Handlebar holder (lower)	M12 × 1.25	2	34	3.4	24
△	Steering ring nut	M28 × 1.0	1	Refer to TIP.		
	Front fork and cap bolt	M51 × 1.5	2	30	3.0	22
	Front fork and base valve	M30 × 1.0	2	55	5.5	40
	Cap bolt and damper rod (front fork)	M12 × 1.25	2	29	2.9	21
	Bleed screw (front fork) and cap bolt	M5 × 0.8	2	1	0.1	0.7
△	Front fork and protector	M6 × 1.0	6	7	0.7	5.1
△	Front fork protector and brake hose holder	M6 × 1.0	2	7	0.7	5.1
	Throttle cable cap	M5 × 0.8	2	4	0.4	2.9
	Clutch lever holder mounting	M5 × 0.8	2	4	0.4	2.9
	Clutch lever mounting	M6 × 1.0	1	4	0.4	2.9
	Hot starter lever holder mounting	M5 × 0.8	2	4	0.4	2.9
	Hot starter lever mounting	M5 × 0.8	1	2	0.2	1.4
△	Front brake master cylinder and bracket	M6 × 1.0	2	9	0.9	6.5
	Front brake master cylinder cap	M4 × 0.7	2	2	0.2	1.4
	Brake lever mounting (bolt)	M6 × 1.0	1	6	0.6	4.3
	Brake lever mounting (nut)	M6 × 1.0	1	6	0.6	4.3

TIGHTENING TORQUES

	Part to be tightened	Thread size	Q'ty	Tightening torque		
				Nm	m•kg	ft•lb
	Brake lever position locknut	M6 × 1.0	1	5	0.5	3.6
△	Hose guide (front brake hose) and hose guide bracket	M5 × 0.8	1	4	0.4	2.9
△	Hose guide (front brake hose) and under bracket	M6 × 1.0	1	4	0.4	2.9
△	Front brake hose union bolt (master cylinder)	M10 × 1.25	1	30	3.0	22
△	Front brake hose union bolt (caliper)	M10 × 1.25	1	30	3.0	22
△	Front brake caliper and front fork	M8 × 1.25	2	23	2.3	17
△	Front brake caliper and brake hose holder	M6 × 1.0	1	10	1.0	7.2
△	Brake caliper (front and rear) and pad pin plug	M10 × 1.0	2	3	0.3	2.2
△	Brake caliper (front and rear) and pad pin	M10 × 1.0	2	18	1.8	13
△	Brake caliper (front and rear) and bleed screw	M8 × 1.25	2	6	0.6	4.3
△	Front wheel axle and nut	M16 × 1.5	1	90	9.0	65
△	Front wheel axle holder	M8 × 1.25	4	21	2.1	15
△	Front brake disc and wheel hub	M6 × 1.0	6	12	1.2	8.7
△	Rear brake disc and wheel hub	M6 × 1.0	6	14	1.4	10
△	Brake pedal mounting	M8 × 1.25	1	26	2.6	19
△	Rear brake master cylinder and frame	M6 × 1.0	2	10	1.0	7.2
	Rear brake master cylinder cap	M4 × 0.7	2	2	0.2	1.4
△	Rear brake hose union bolt (caliper)	M10 × 1.25	1	30	3.0	22
△	Rear brake hose union bolt (master cylinder)	M10 × 1.25	1	30	3.0	22
△	Rear wheel axle and nut	M20 × 1.5	1	125	12.5	90
△	Driven sprocket and wheel hub	M8 × 1.25	6	50	5.0	36
△	Nipple (spoke)	—	72	3	0.3	2.2
△	Disc cover and rear brake caliper	M6 × 1.0	2	10	1.0	7.2
△	Protector and rear brake caliper	M6 × 1.0	2	7	0.7	5.1
	Chain puller adjust bolt and locknut	M8 × 1.25	2	19	1.9	13
	Engine mounting:					
△	Engine upper bracket and frame	M10 × 1.25	4	55	5.5	40
△	Engine lower bracket and frame	M8 × 1.25	4	34	3.4	24
△	Engine and engine bracket (lower)	M10 × 1.25	1	53	5.3	38
△	Engine and engine bracket (upper)	M10 × 1.25	1	55	5.5	40
△	Engine and frame (lower)	M10 × 1.25	1	53	5.3	38
△	Engine guard	M6 × 1.0	3	7	0.7	5.1
	Regulator mounting	M6 × 1.0	2	7	0.7	5.1
△	Pivot shaft and nut	M16 × 1.5	1	85	8.5	61
△	Relay arm and swingarm	M14 × 1.5	1	70	7.0	50
△	Relay arm and connecting rod	M14 × 1.5	1	80	8.0	58
△	Connecting rod and frame	M14 × 1.5	1	80	8.0	58
△	Rear shock absorber and frame	M10 × 1.25	1	56	5.6	40

TIGHTENING TORQUES

	Part to be tightened	Thread size	Q'ty	Tightening torque		
				Nm	m•kg	ft•lb
△	Rear shock absorber and relay arm	M10 × 1.25	1	53	5.3	38
△	Rear frame and frame (upper)	M8 × 1.25	1	38	3.8	27
△	Rear frame and frame (lower)	M8 × 1.25	2	32	3.2	23
△	Swingarm and brake hose holder	M5 × 0.8	4	2	0.2	1.4
	Swingarm and patch	M4 × 0.7	4	2	0.2	1.4
	Drive chain tensioner mounting (upper)	M8 × 1.25	1	16	1.6	11
	Drive chain tensioner mounting (lower)	M8 × 1.25	1	16	1.6	11
	Chain support and swingarm	M6 × 1.0	3	7	0.7	5.1
	Seal guard and swingarm	M5 × 0.8	4	6	0.6	4.3
△	Fuel tank mounting	M6 × 1.0	2	9	0.9	6.5
△	Fuel tank and fuel cock	M6 × 1.0	2	4	0.4	2.9
	Fuel tank and seat set bracket	M6 × 1.0	1	7	0.7	5.1
	Fuel tank and fuel tank bracket	M6 × 1.0	4	7	0.7	5.1
	Seat mounting	M8 × 1.25	2	22	2.2	16
△	Side cover mounting	M6 × 1.0	2	7	0.7	5.1
△	Air scoop and fuel tank	M6 × 1.0	6	7	0.7	5.1
△	Air scoop and radiator panel (lower)	M6 × 1.0	2	6	0.6	4.3
△	Front fender mounting	M6 × 1.0	4	7	0.7	5.1
△	Rear fender mounting (front)	M6 × 1.0	2	7	0.7	5.1
△	Rear fender mounting (rear)	M6 × 1.0	2	11	1.1	8.0
	Multi-function display bracket mounting	M6 × 1.0	2	7	0.7	5.1
	Multi-function display mounting	M5 × 0.8	2	4	0.4	2.9
	Plate 1 and protector	M5 × 0.8	2	4	0.4	2.9
	Plate 2 and protector	—	2	0.5	0.05	0.36
	Speed sensor lead holder and under bracket	M6 × 1.0	1	13	1.3	9.4
	Headlight body and headlight unit	—	2	1	0.1	0.7
△	Headlight mounting (left and right)	M6 × 1.0	2	7	0.7	5.1
	Taillight mounting	—	3	1	0.1	0.7
	Taillight lead clamp and rear fender	—	3	0.5	0.05	0.36
△	Catch tank (upper)	M6 × 1.0	1	16	1.6	11
△	Catch tank (lower)	M6 × 1.0	1	7	0.7	5.1
△	Footrest bracket and frame	M10 × 1.25	4	55	5.5	40
	Sidestand mounting	M10 × 1.25	1	25	2.5	18
	Front reflector (For CDN)	M6 × 1.0	2	4	0.4	2.9
	Rear reflector (For CDN)	M5 × 0.8	3	2	0.2	1.4

TIP

1. First, tighten the steering ring nut approximately 38 Nm (3.8 m•kg, 27 ft•lb) by using the steering nut wrench, then loosen the steering ring nut one turn.
2. Retighten the steering ring nut 7 Nm (0.7 m•kg, 5.1 ft•lb).

TIGHTENING TORQUES

ELECTRICAL

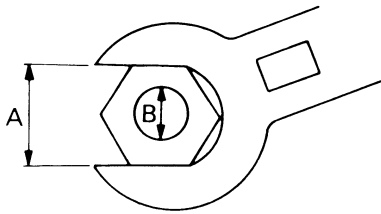
Part to be tightened	Thread size	Q'ty	Tightening torque		
			Nm	m•kg	ft•lb
Stator	M5 × 0.8	2	7	0.7	5.1
Holder (AC magneto lead)	M5 × 0.8	2	10	1.0	7.2
Rotor	M12 × 1.25	1	Refer to TIP.		
Neutral switch	M5 × 0.8	2	4	0.4	2.9
Starter motor	M6 × 1.0	2	10	1.0	7.2
Starter relay terminal	M6 × 1.0	2	4	0.4	2.9
Pickup coil	M6 × 1.0	2	10	1.0	7.2

TIP

Tighten the rotor nut to 65 Nm (6.5 m•kg, 47 ft•lb), loosen and retighten the rotor nut to 65 Nm (6.5 m •kg, 47 ft•lb).

GENERAL TORQUE SPECIFICATIONS

This chart specifies torque for standard fasteners with standard I.S.O. pitch threads. Torque specifications for special components or assemblies are included in the applicable sections of this book. To avoid warpage, tighten multi-fastener assemblies in a crisscross fashion, in progressive stages, until full torque is reached. Unless otherwise specified, torque specifications call for clean, dry threads. Components should be at room temperature.



- A. Distance between flats
- B. Outside thread diameter

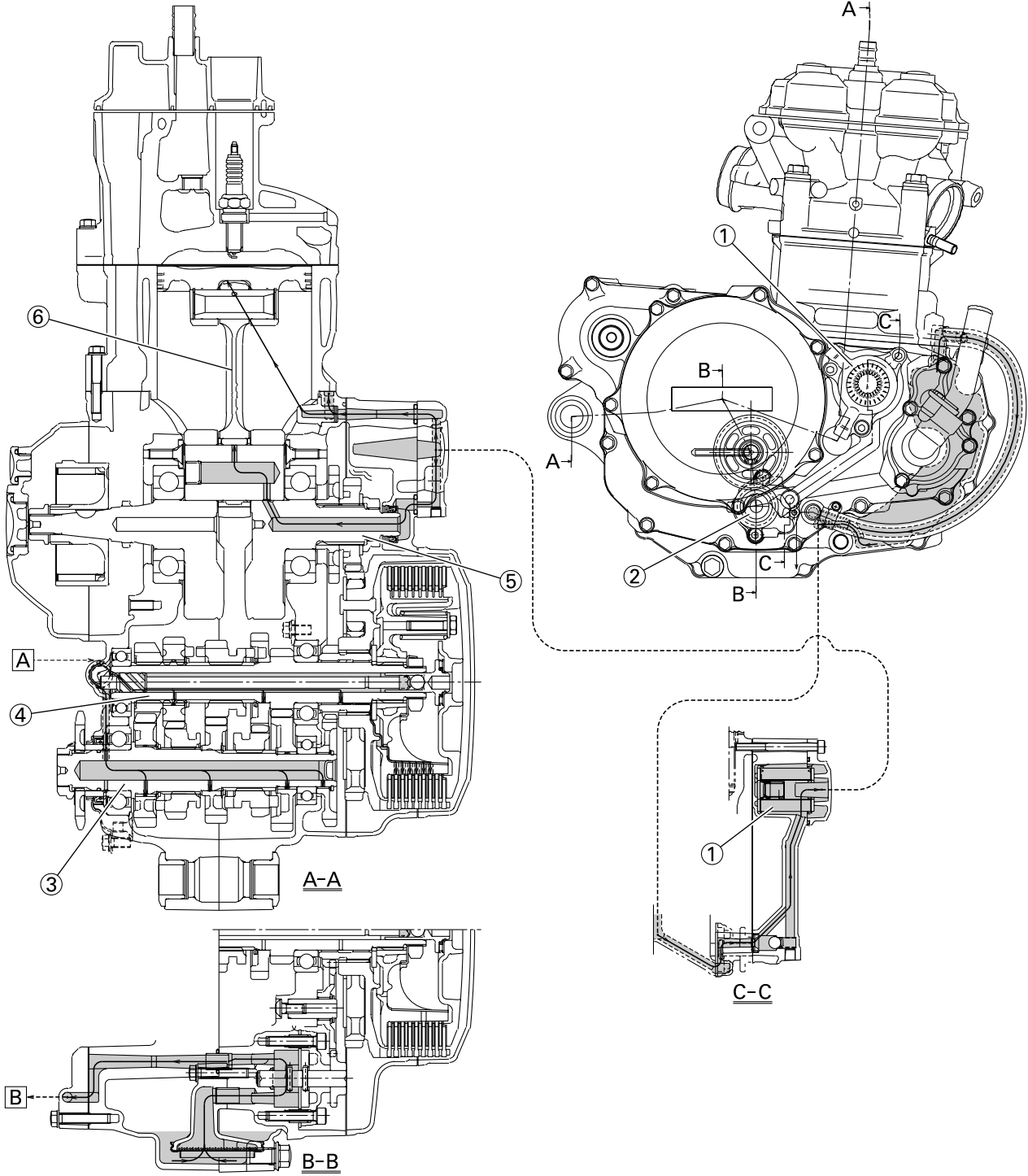
A (Nut)	B (Bolt)	TORQUE SPECIFICATION		
		Nm	m•kg	ft•lb
10 mm	6 mm	6	0.6	4.3
12 mm	8 mm	15	1.5	11
14 mm	10 mm	30	3.0	22
17 mm	12 mm	55	5.5	40
19 mm	14 mm	85	8.5	61
22 mm	16 mm	130	13	94

TIGHTENING TORQUES

DEFINITION OF UNITS

Unit	Read	Definition	Measure
mm	millimeter	10^{-3} meter	Length
cm	centimeter	10^{-2} meter	Length
kg	kilogram	10^3 gram	Weight
N	Newton	$1 \text{ kg} \times \text{m}/\text{sec}^2$	Force
Nm	Newton meter	$\text{N} \times \text{m}$	Torque
m•kg	Meter kilogram	$\text{m} \times \text{kg}$	Torque
Pa	Pascal	N/m^2	Pressure
N/mm	Newton per millimeter	N/mm	Spring rate
L	Liter	—	Volume or capacity
cm ³	Cubic centimeter	—	Volume or capacity
r/min	Revolution per minute	—	Engine speed

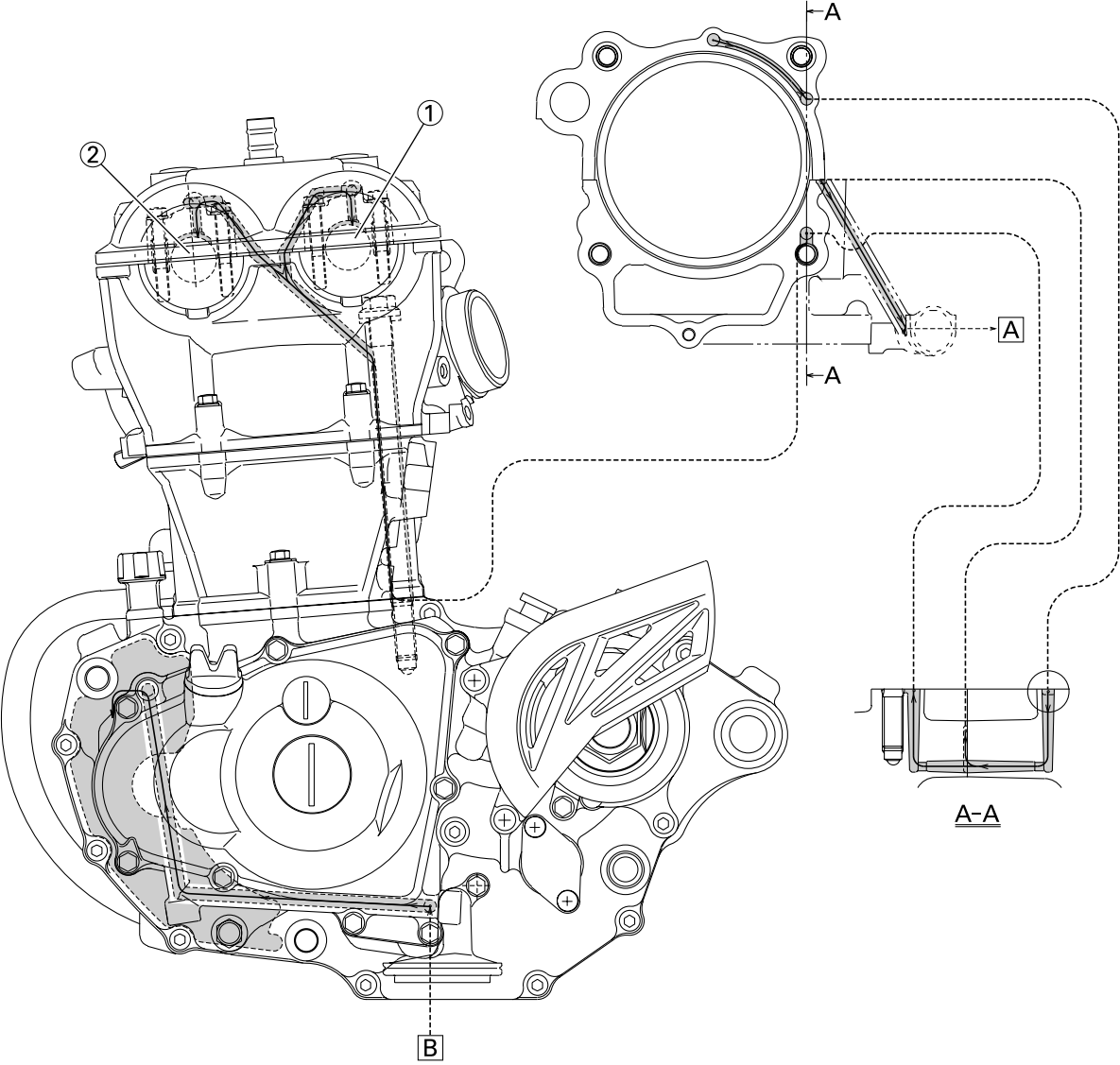
LUBRICATION DIAGRAMS



LUBRICATION DIAGRAMS

1. Oil filter element
 2. Oil pump
 3. Drive axle
 4. Main axle
 5. Crankshaft
 6. Connecting rod
- A. From cylinder
 - B. To oil tank

LUBRICATION DIAGRAMS

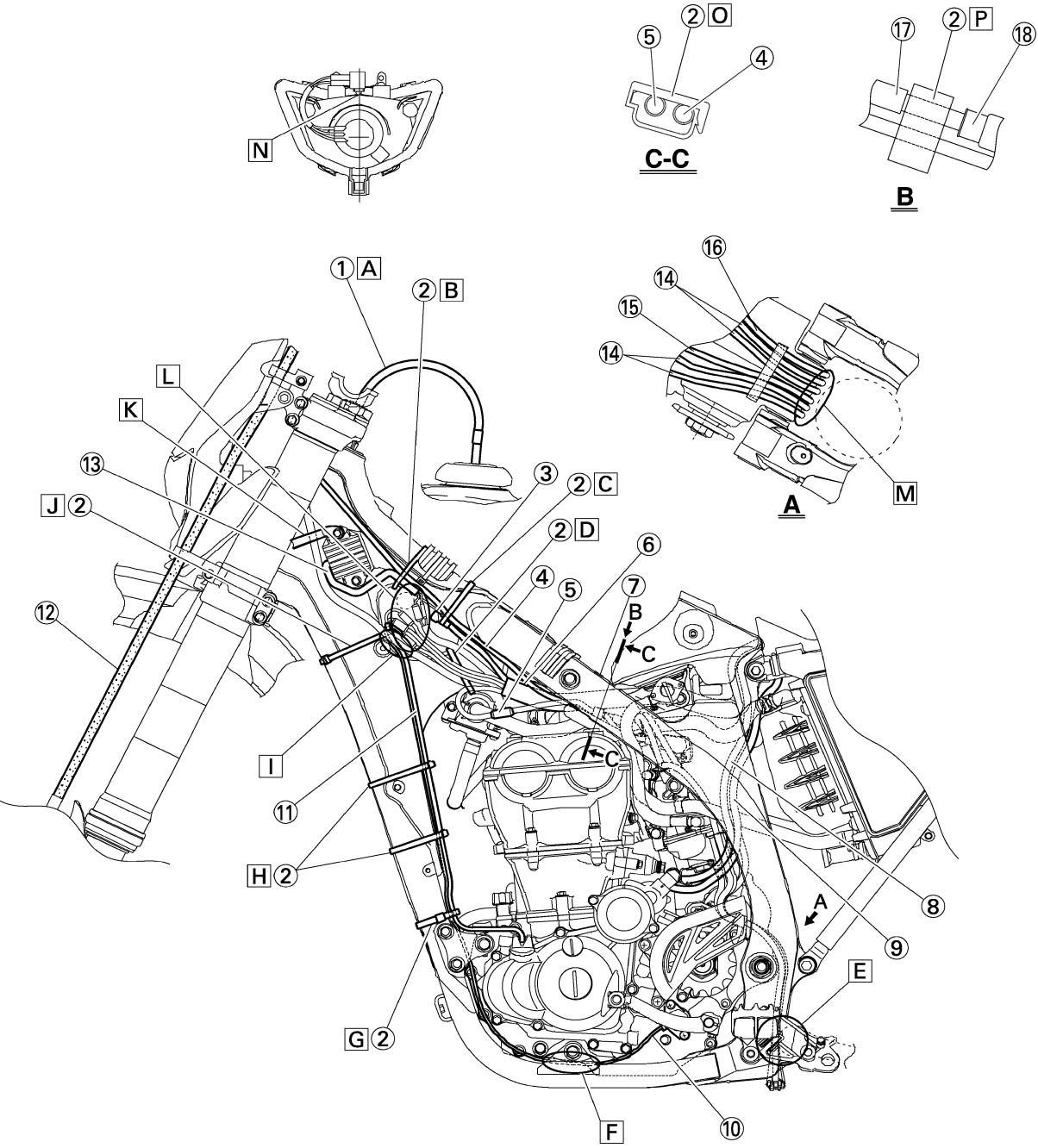


LUBRICATION DIAGRAMS

1. Intake camshaft
2. Exhaust camshaft
- A. To main axle
- B. From oil pump

CABLE ROUTING DIAGRAM

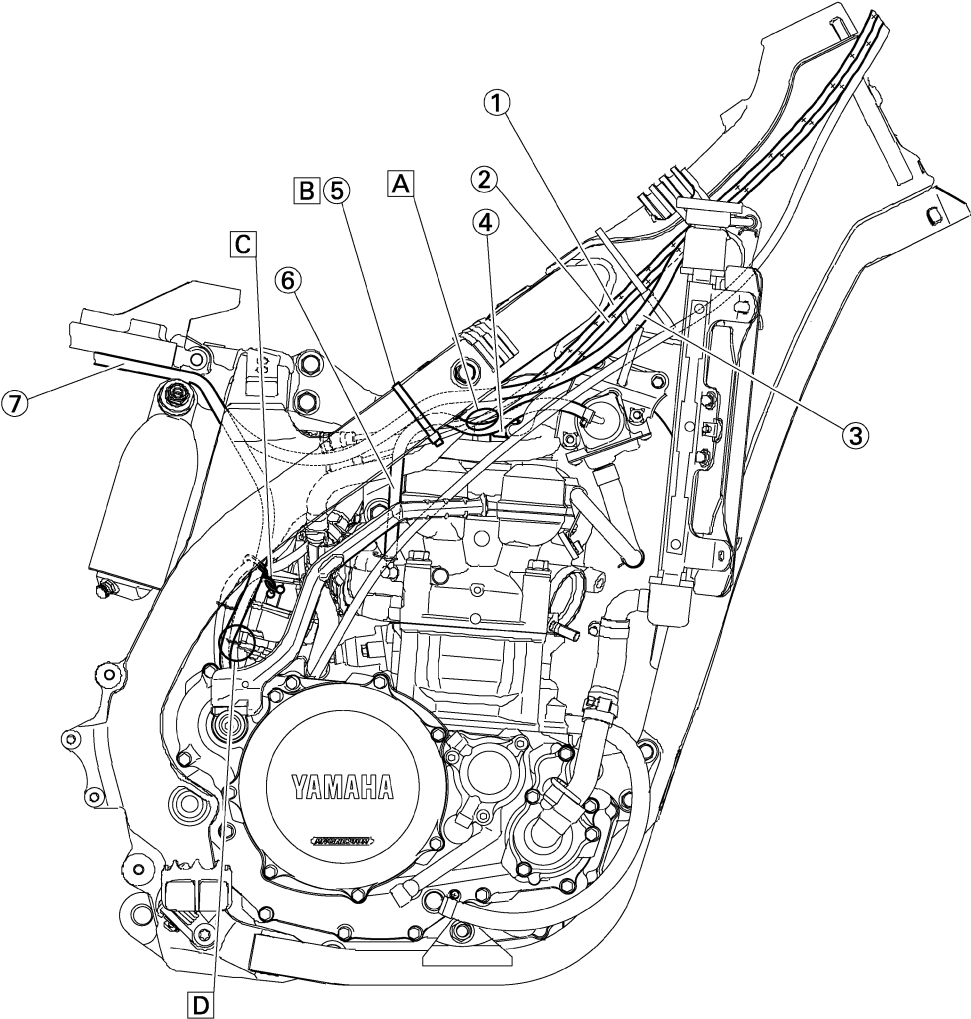
CABLE ROUTING DIAGRAM



CABLE ROUTING DIAGRAM

1. Fuel tank breather hose
 2. Clamp
 3. Diode
 4. Hot starter cable
 5. Throttle position sensor lead
 6. Wire harness
 7. Hump (frame)
 8. Negative battery lead
 9. Starter motor lead
 10. Neutral switch lead
 11. AC magneto lead
 12. Brake hose
 13. Rectifier/regulator lead
 14. Carburetor breather hose
 15. Carburetor overflow hose
 16. Catch tank breather hose
 17. Hot starter cable protector
 18. Rubber cap
- A. Insert the end of the fuel tank breather hose into the hole in the steering stem.
 - B. Fasten the throttle cable, hot starter cable and rectifier/regulator lead onto the frame. Locate the clamp under the throttle cable on the right side of the frame, and face its ends, as well as the tie ends, downward.
 - C. Fasten the diode (at the marking), throttle cable and hot starter cable onto the frame. Locate the clamp end facing toward the lower right of the frame and with the tie end facing downward.
 - D. Fasten the wire harness, throttle position sensor lead and clutch cable onto the frame. Pass the clamp through the hole in the stay (air cut-off valve). Locate the clamp end facing toward the lower side of the frame and cut off the tie end.
 - E. Pass the carburetor breather hoses, carburetor overflow hose and catch tank breather hose between the connecting rod and cross tube (frame).
 - F. Pass the neutral switch lead on the inside of the engine bracket.
 - G. Fasten the neutral switch lead and AC magneto lead onto the frame. Locate the clamp end facing toward the outside of the frame and tie end facing toward the rear of the frame.
 - H. Fasten the AC magneto lead and neutral switch lead onto the frame. Locate the clamp end facing toward the rear of the frame and cut off the tie end.
 - I. Pass the neutral switch lead and AC magneto lead on the inside of the wire harness.
 - J. Fasten the AC magneto lead and neutral switch lead onto the frame.
 - K. Pass the wire harness through the cable guide.
 - L. Locate the couplers in the frame recess.
 - M. Pass the carburetor breather hoses, carburetor overflow hose and catch tank breather hose so that the hoses do not contact the rear shock absorber.
 - N. Secure the coupler by pushing it into the hole in the headlight unit.
 - O. Fasten the throttle position sensor lead and the hot starter cable.
 - P. Locate the clamp between the hot starter cable protector and rubber cap.

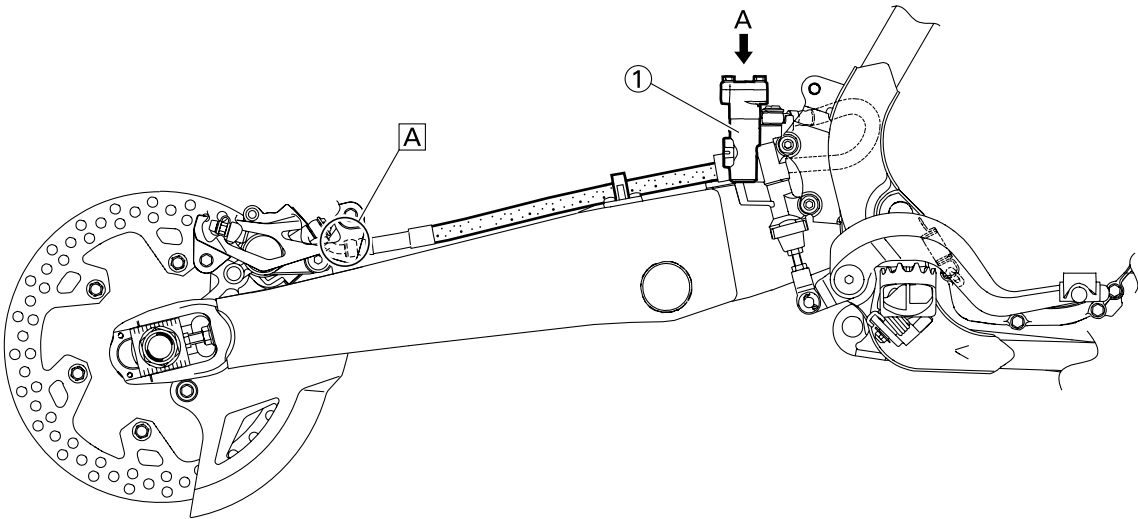
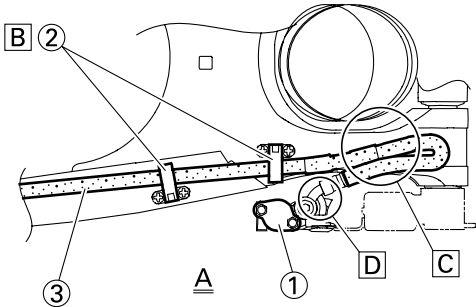
CABLE ROUTING DIAGRAM



CABLE ROUTING DIAGRAM

1. Throttle cable (pull)
2. Throttle cable (return)
3. Catch tank hose
4. Ignition coil
5. Clamp
6. Air induction hose (air cut-off valve - rear of cylinder head)
7. Catch tank breather hose
- A. Cross the pull and push throttle cables.
- B. Fasten the catch tank hose and air induction hose (air cut-off valve-rear of cylinder head) onto the frame. Locate the clamp end facing toward the lower side of the frame and cut off the tie end.
- C. Fasten the catch tank breather hose and carburetor breather hoses together.
- D. Pass the carburetor breather hose (of the throttle cable cover) through the hose holder.

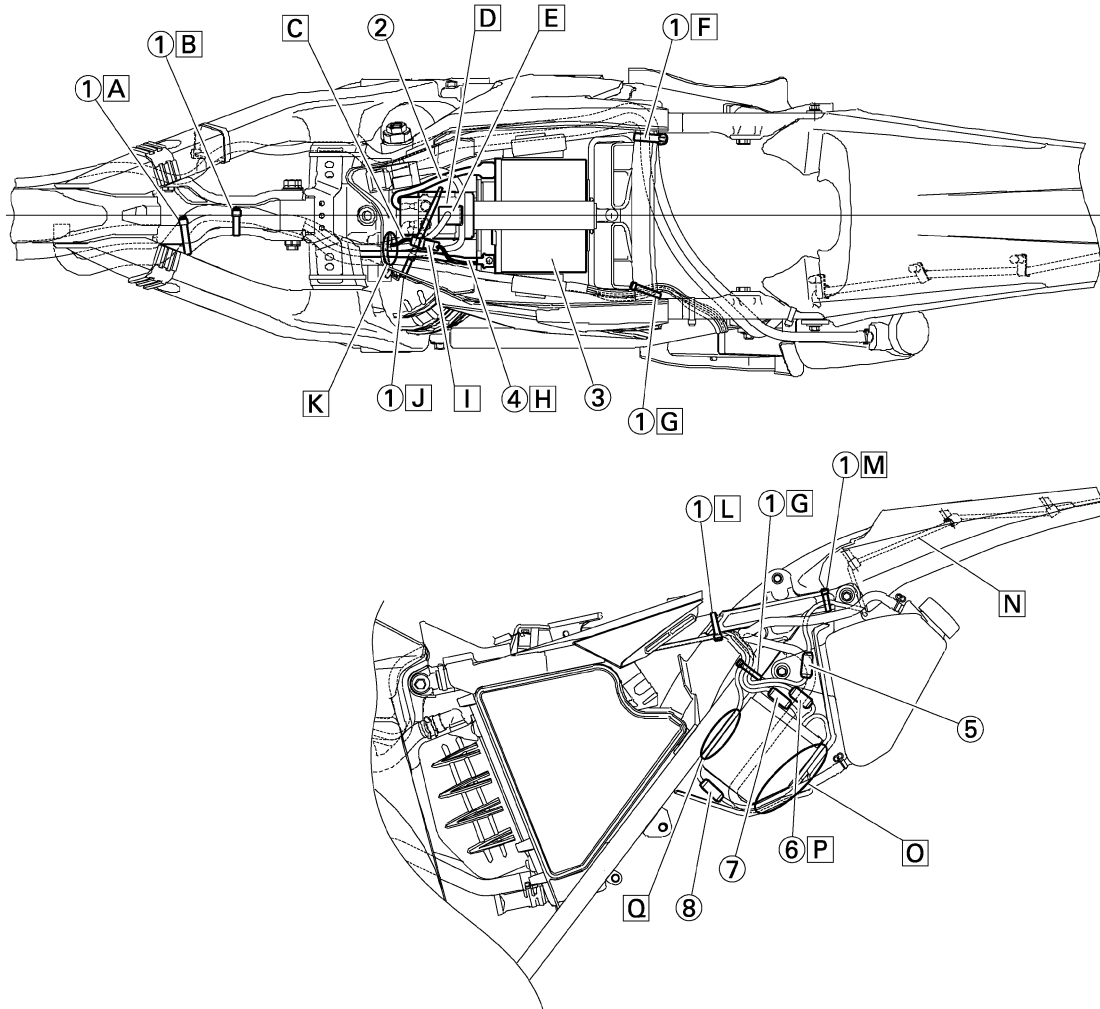
CABLE ROUTING DIAGRAM



CABLE ROUTING DIAGRAM

1. Brake master cylinder
2. Brake hose holder
3. Brake hose
- A. Install the brake hose so that its pipe portion directs as shown and lightly touches the projection on the brake caliper.
- B. Pass the brake hose into the brake hose holders.
- C. If the brake hose contacts the spring (rear shock absorber), correct its twist.
- D. Install the brake hose so that its pipe portion directs as shown and lightly touches the projection on the brake master cylinder.

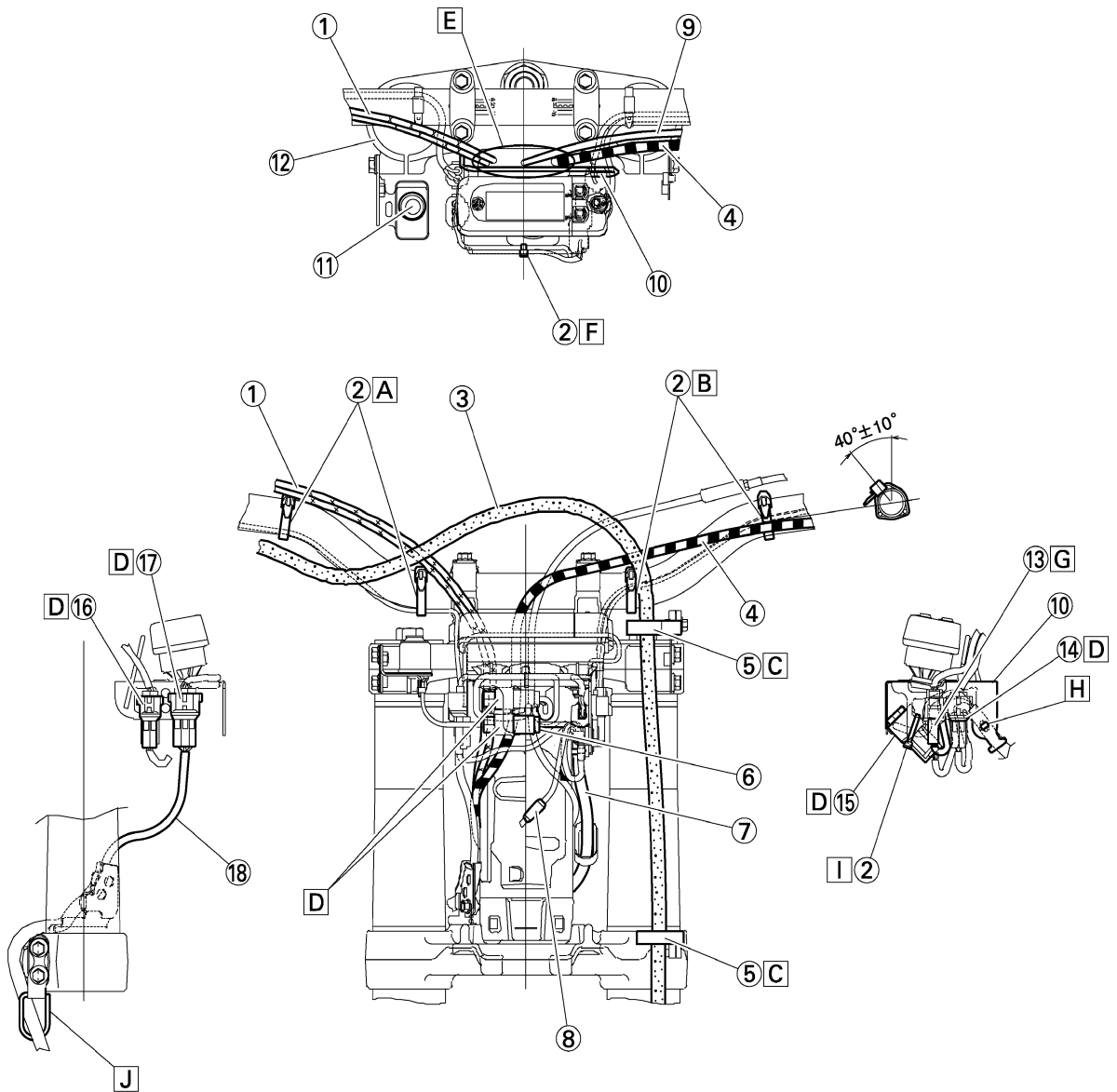
CABLE ROUTING DIAGRAM



CABLE ROUTING DIAGRAM

1. Clamp
2. Positive battery lead
3. Battery
4. Negative battery lead
5. Taillight coupler
6. CDI unit coupler (6-pin)
7. CDI unit coupler (3-pin)
8. CDI unit coupler (6-pin)
- A. Fasten the wire harness to the upper engine bracket (left side). Locate the clamp end facing toward the upper side of the frame with the tie end cut off on the inside of the frame.
- B. Fasten the wire harness to the upper engine bracket (left side). Locate the clamp end facing toward the upper side of the frame with the tie end cut off on the inside of the frame. Clamp the wire harness at the marking.
- C. Pass the starter motor lead through the hole in the relay holder.
- D. Fit the cover securely.
- E. Connect the wire harness to the starter relay.
- F. Fasten the catch tank breather hose and catch tank hose to the rear frame. Clamp them close to where they are joined to the frame. Fasten the pipe tightly enough not to crush it. Locate the clamp end facing toward the rear of the frame with the tie end facing downward.
- G. Fasten the (three) CDI unit leads and taillight lead to the rear frame. Locate the clamp end facing toward the upper side of the frame and cut off the tie end.
- H. Connect the negative battery lead to the battery negative terminal.
- I. Connect the negative battery lead to the wire harness.
- J. Fasten the wire harness to the rear frame. Locate the clamp end facing toward the upper side of the frame and the tie end toward the inside of the frame. Clamp the wire harness at the marking.
- K. Pass the wire harness, starter relay lead, starting circuit cut-off relay lead and negative battery lead through the hole in the relay holder.
- L. Fasten the (three) CDI unit leads and taillight lead to the rear frame. Locate the clamp end facing toward the lower side of the frame and cut off the tie end.
- M. Fasten the taillight lead to the rear frame. Locate the clamp end facing toward the upper side of the frame and cut off the tie end.
- N. Do not allow the taillight lead to slacken.
- O. Locate the CDI unit lead between the CDI unit and rear fender.
- P. Locate the CDI unit coupler in the clearance between the upper side of the CDI unit and lower side of the catch tank stay.
- Q. Locate the CDI unit lead between the CDI unit and rear frame.

CABLE ROUTING DIAGRAM



1. Throttle cable
2. Clamp
3. Brake hose
4. Clutch cable
5. Hose guide
6. Main switch coupler
7. Wire harness
8. Headlight coupler
9. Hot starter cable
10. Multi-function display bracket
11. Main switch
12. Upper bracket
13. Clutch switch coupler
14. Engine stop switch coupler
15. Multi-function display coupler
16. Start switch coupler
17. Speed sensor coupler
18. Speed sensor lead
- A. Fasten the start switch lead to the handlebar with the plastic bands.
- B. Fasten the engine stop switch lead and clutch switch lead to the handlebar with the plastic bands.
- C. Pass the brake hose through the hose guides.
- D. Secure the coupler by inserting it into the multi-function display bracket.
- E. Pass the throttle cables, clutch cable and hot starter cable between the upper bracket and multi-function display bracket.
- F. Fasten the multi-function display leads to the bracket. Cut off the tie end.
- G. Secure the coupler by pushing it into the hole in the multi-function display bracket.
- H. Secure the wire harness clip by pushing it into the hole in the multi-function display bracket on the inside.
- I. Fasten the main switch lead (wire harness side) to the multi-function display bracket. Locate the clamp end facing toward the lower side of the frame and cut off the tie end.
- J. Pass the speed sensor lead through the guide on the outside of the front fork.

PERIODIC MAINTENANCE CHART FOR THE EMISSION CONTROL SYSTEM

REGULAR INSPECTION AND ADJUSTMENTS

PERIODIC MAINTENANCE CHART FOR THE EMISSION CONTROL SYSTEM

TIP

- From 4,200 mi (7,000 km) or 9 months, repeat the maintenance intervals starting from 1,800 mi (3,000 km) or 3 months.
- Items marked with an asterisk should be performed by a Yamaha dealer as they require special tools, data and technical skills.

No.	ITEM	CHECKS AND MAINTENANCE JOBS	ODOMETER READINGS		
			INITIAL 600 mi (1,000 km) or 1 month	1,800 mi (3,000 km) or 3 months	3,000 mi (5,000 km) or 6 months
1	* Fuel line	Check fuel hoses for cracks or damage. Replace if necessary.	√	√	√
2	Spark plug	Check condition. Adjust gap and clean.	√	√	√
3	* Valve clearance	Check and adjust valve clearance when engine is cold.	√	√	√
4	* Air filter element	Clean with solvent and apply foam air-filter oil or equivalent oil. Replace if necessary.	√	√	√
5	* Breather system	Check ventilation hose for cracks or damage and drain any deposits. Replace if necessary.	√	√	√
6	* Carburetor	Check engine idling speed and starter operation. Adjust if necessary.	√	√	√
7	Exhaust system	Check for leakage. Tighten if necessary. Replace gasket(s) if necessary.	√	√	√
8	Engine oil	Change (warm engine before draining).	√	√	√
9	Engine oil filter element	Replace.	√	√	√
10	* Air induction system	Check the hose for damage. Replace any damaged parts if necessary.		√	√

GENERAL MAINTENANCE AND LUBRICATION CHART

GENERAL MAINTENANCE AND LUBRICATION CHART

No.	ITEM	CHECKS AND MAINTENANCE JOBS	ODOMETER READINGS		
			INI-TIAL 600 mi (1,000 km) or 1 month	1,800 mi (3,000 km) or 3 months	3,000 mi (5,000 km) or 6 months
1	Clutch	Check operation. Adjust or replace cable.	√	√	√
2	* Cooling system	Check hoses for cracks of damage. Replace if necessary.	√	√	√
		Replace with ethylene glycol anti-freeze coolant every 1 year.	Every 1 year		
3	* Spark arrester	Clean.			√
4	* Front brake	Check operation, fluid level, and for fluid leakage. Replace brake pads if necessary.	√	√	√
		Replace brake fluid every 1 year.	Every 1 year		
5	* Rear brake	Check operation, fluid level, and for fluid leakage. Replace brake pads if necessary.	√	√	√
		Replace brake fluid every 1 year.	Every 1 year		
6	* Brake hoses	Check for cracks or damage.		√	√
		Replace.	Every 4 years		
7	* Wheels	Check runout, spoke tightness and for damage. Tighten spokes if necessary.	√	√	√
8	* Tires	Check tread depth and for damage. Replace if necessary. Check air pressure. Correct if necessary.	√	√	√
9	* Wheel bearings	Check bearings for smooth operation. Replace if necessary.	√	√	√
10	* Swingarm pivot bearings	Check bearing assemblies for looseness. Moderately repack with lithium-soap-based grease.	√	√	√
11	Drive chain	Check chain slack/alignment and condition. Adjust and lubricate chain with a special O-ring chain lubricant thoroughly.	Every ride		

GENERAL MAINTENANCE AND LUBRICATION CHART

No.	ITEM	CHECKS AND MAINTENANCE JOBS	INI-TIAL	ODOMETER READINGS	
			600 mi (1,000 km) or 1 month	1,800 mi (3,000 km) or 3 months	3,000 mi (5,000 km) or 6 months
12	* Steering bearings	Check bearing assemblies for looseness. Moderately repack with lithium-soap-based grease every 1,200 mi (2,000 km) or 12 months (whichever comes first).	√	√	√
13	Brake and clutch lever pivot shafts	Apply lithium-soap-based grease (all-purpose grease) lightly.	√	√	√
14	Brake pedal pivot shafts	Apply lithium-soap-based grease (all-purpose grease) lightly.	√	√	√
15	Sidestand pivot	Check operation. Apply lithium-soap-based grease (all-purpose grease) lightly.	√	√	√
16	* Front fork	Check operation and for oil leakage. Replace if necessary.		√	√
17	* Shock absorber assembly	Check operation and for oil leakage. Replace if necessary.		√	√
18	* Rear suspension link pivots	Apply molybdenum disulfide grease lightly.		√	√
19	* Control cables	Apply Yamaha chain and cable lube or engine oil 10W-30 thoroughly.	√	√	√
20	* Throttle grip housing and cable	Check operation and free play. Adjust the throttle cable free play if necessary. Lubricate the throttle grip housing and cable.	√	√	√
21	* Chassis fasteners	Check all chassis fitting and fasteners. Correct if necessary.	√	√	√
22	Battery	Check terminal for looseness and corrosion.		√	√

TIP

- The air filter needs more frequent service if you are riding in unusually wet or dusty areas.
- Hydraulic brake service
 - After disassembling the brake master cylinders and calipers, always change the fluid. Regularly check the brake fluid levels and fill the reservoirs as required.
 - Every two years replace the internal components of the brake master cylinders and calipers, and change the brake fluid.
 - Replace the brake hoses every four years and if cracked or damaged.

MAINTENANCE INTERVALS FOR COMPETITION USE

MAINTENANCE INTERVALS FOR COMPETITION USE

TIP

- The following schedule is intended as a general guide to maintenance and lubrication. Bear in mind that such factors as weather, terrain, geographical location, and individual usage will alter the required maintenance and lubrication intervals. If you are a doubt as to what intervals to follow in maintaining and lubricating your machine, consult your Yamaha dealer.
- Periodic inspection is essential in making full use of the machine performance. The service life of the parts varies substantially according to the environment in which the machine runs (e.g., rain, dirt, etc.). Therefore, earlier inspection is required by reference to the list below.

Item	After break-in	Every race	Every third (or 500 km)	Every fifth (or 1,000 km)	As required	Remarks
ENGINE OIL Replace	●			●		
VALVES Check the valve clearances Inspect Replace	●		●	●	●	The engine must be cold. Check the valve seats and valve stems for wear.
VALVE SPRINGS Inspect Replace				●	●	Check the free length and the tilt.
VALVE LIFTERS Inspect Replace				●	●	Check for scratches and wear.
CAMSHAFTS Inspect Replace				●	●	Inspect the camshaft surface. Inspect the decompression system.
CAMSHAFT SPROCKETS Inspect Replace				●	●	Check for wear on the teeth and for damage.
PISTON Inspect Clean Replace				●	● ● ●	Inspect crack. Inspect carbon deposits and eliminate them. It is recommended that the piston pin and ring are also replaced at the same time.

MAINTENANCE INTERVALS FOR COMPETITION USE

Item	After break -in	Every race	Every third (or 500 km)	Every fifth (or 1,000 km)	As re- quired	Remarks
PISTON RING Inspect Replace				● ●	●	Check ring end gap.
PISTON PIN Inspect Replace				●	●	
CYLINDER HEAD Inspect and clean				●		Inspect carbon deposits and eliminate them. Change gasket.
CYLINDER Inspect and clean Replace				●	●	Inspect score marks. Inspect wear.
CLUTCH Inspect and adjust Replace	●	●			●	Inspect housing, friction plate, clutch plate and spring.
TRANSMISSION Inspect Replace bearing					● ●	
SHIFT FORK, SHIFT CAM, GUIDE BAR Inspect					●	Inspect wear.
ROTOR NUT Retighten	●			●		
MUFFLER Inspect and retighten Clean Replace	●	●		●	●	
CRANK Inspect and clean				●	●	
CARBURETOR Inspect, adjust and clean	●	●				
SPARK PLUG Inspect and clean Replace	●		●		●	

MAINTENANCE INTERVALS FOR COMPETITION USE

Item	After break-in	Every race	Every third (or 500 km)	Every fifth (or 1,000 km)	As required	Remarks
DRIVE CHAIN Lubricate, slack, alignment Replace	●	●			●	Use chain lube. Chain slack: 48–58 mm (1.9–2.3 in)
COOLING SYSTEM Check coolant level and leakage Check radiator cap operation Replace coolant Inspect hoses	●	●			● ●	Every two years
OUTSIDE NUTS AND BOLTS Retighten	●	●				Refer to "STARTING AND BREAK-IN" section in the CHAPTER 1.
AIR FILTER Clean and lubricate Replace	●	●			●	Use foam air-filter oil or equivalent oil.
OIL FILTER Replace	●			●		
ENGINE GUARD Replace					●	Breakage
FRAME Clean and inspect	●	●				
FUEL TANK, COCK Clean and inspect	●		●			
BRAKES Adjust lever position and pedal height Lubricate pivot point Check brake disc surface Check fluid level and leakage Retighten brake disc bolts, caliper bolts, master cylinder bolts and union bolts Replace pads Replace brake fluid	● ● ● ● ●	● ● ● ● ●			● ●	Every one year

MAINTENANCE INTERVALS FOR COMPETITION USE

Item	After break-in	Every race	Every third (or 500 km)	Every fifth (or 1,000 km)	As required	Remarks
FRONT FORKS Inspect and adjust Replace oil Replace oil seal	●	●		●	●	Suspension oil "S1"
FRONT FORK OIL SEAL AND DUST SEAL Clean and lube	●	●				Lithium base grease
PROTECTOR GUIDE Replace					●	
REAR SHOCK ABSORBER Inspect and adjust Lube Retighten	●	●		●	(After rain ride) ●	Molybdenum disulfide grease
DRIVE CHAIN GUIDE AND ROLLERS Inspect	●	●				
SWINGARM Inspect, lube and retighten	●	●				Molybdenum disulfide grease
RELAY ARM, CONNECTING ROD Inspect, lube and retighten	●	●				Molybdenum disulfide grease
SIDESTAND Lubricate					●	Lithium base grease
STEERING HEAD Inspect free play and retighten Clean and lube Replace bearing	●	●		●	●	Lithium base grease
TIRE, WHEELS Inspect air pressure, wheel run-out, tire wear and spoke looseness Retighten sprocket bolt Inspect bearings Replace bearings Lubricate	●	●	●		●	Lithium base grease

MAINTENANCE INTERVALS FOR COMPETITION USE

Item	After break -in	Every race	Every third (or 500 km)	Every fifth (or 1,000 km)	As re- quired	Remarks
THROTTLE, CONTROL CABLE Check routing and con- nection Lubricate	●	●				Yamaha cable lube or SAE 10W-40 motor oil
HOT STARTER, CLUTCH LEVER Inspect free play					●	

PRE-OPERATION INSPECTION AND MAINTENANCE

PRE-OPERATION INSPECTION AND MAINTENANCE

Before riding for break-in operation or practice, make sure the machine is in good operating condition.

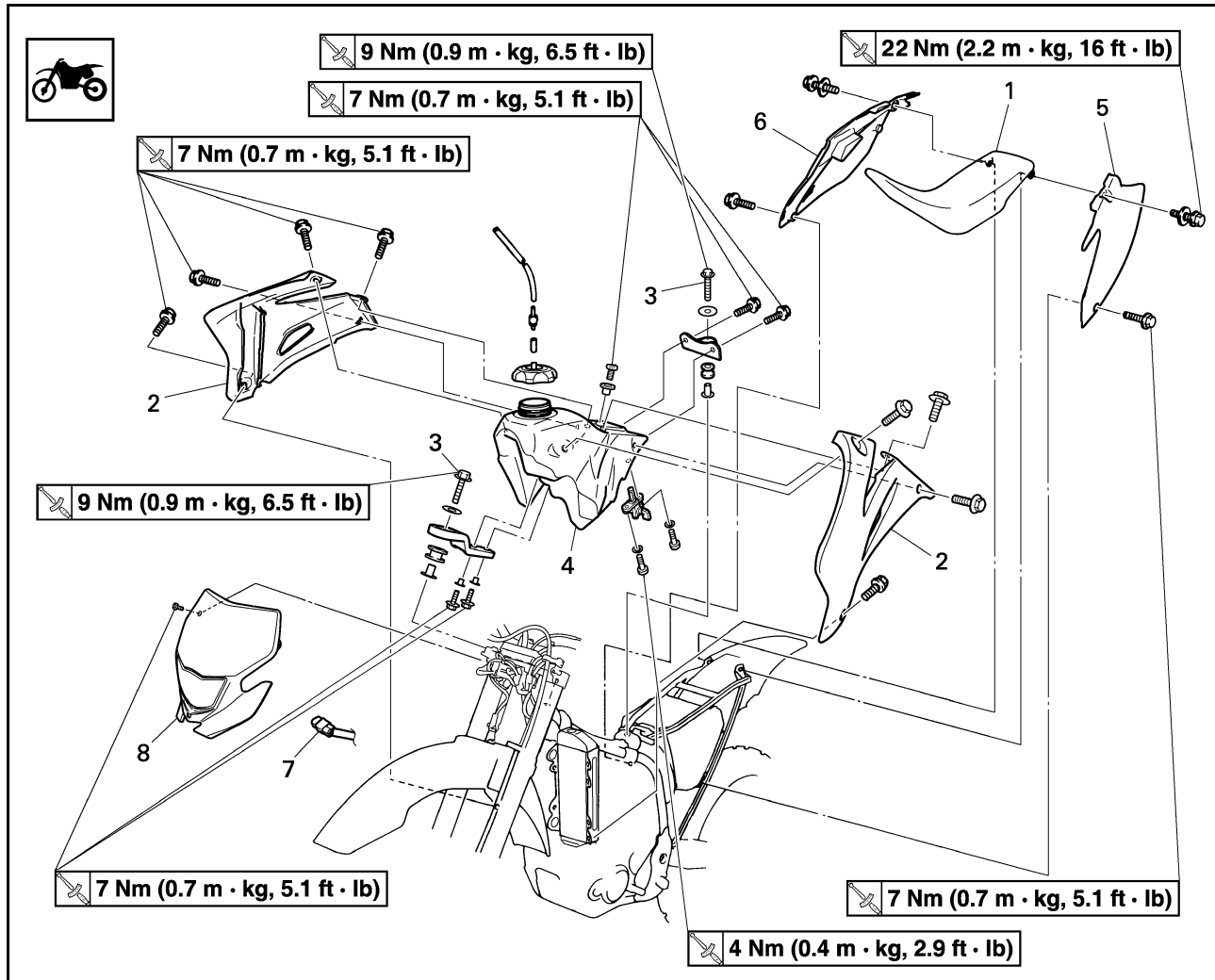
Before using this machine, check the following points.

GENERAL INSPECTION AND MAINTENANCE

Item	Routine	Page
Coolant	Check that coolant is filled up to the radiator cap. Check the cooling system for leakage.	P.3-13 – 15
Fuel	Check that a fresh gasoline is filled in the fuel tank. Check the fuel line for leakage.	P.1-22
Engine oil	Check that the oil level is correct. Check the crankcase and oil line for leakage.	P.3-19 – 21
Gear shifter and clutch	Check that gears can be shifted correctly in order and that the clutch operates smoothly.	P.3-15 – 16
Throttle grip/Housing	Check that the throttle grip operation and free play are correctly adjusted. Lubricate the throttle grip and housing, if necessary.	P.3-16 – 17
Brakes	Check the play of front brake and effect of front and rear brake.	P.3-27 – 32
Drive chain	Check drive chain slack and alignment. Check that the drive chain is lubricated properly.	P.3-32 – 34
Wheels	Check for excessive wear and tire pressure. Check for loose spokes and have no excessive play.	P.3-39
Steering	Check that the handlebar can be turned smoothly and have no excessive play.	P.3-40 – 41
Front forks and rear shock absorber	Check that they operate smoothly and there is no oil leakage.	P.3-34 – 38
Cables (wires)	Check that the clutch and throttle cables move smoothly. Check that they are not caught when the handlebars are turned or when the front forks travel up and down.	—
Exhaust pipe	Check that the exhaust pipe is tightly mounted and has no cracks.	P.3-12 – 13
Rear wheel sprocket	Check that the rear wheel sprocket tightening bolt is not loose.	P.3-32
Lubrication	Check for smooth operation. Lubricate if necessary.	P.3-43 – 44
Bolts and nuts	Check the chassis and engine for loose bolts and nuts.	P.1-25
Lead connectors	Check that the AC magneto, CDI unit, and ignition coil are connected tightly.	P.1-7
Settings	Is the machine set suitably for the condition of the course and weather or by taking into account the results of test runs before riding? Are inspection and maintenance completely done?	P.4-1 – 7

ENGINE

REMOVING THE SEAT, FUEL TANK AND SIDE COVERS



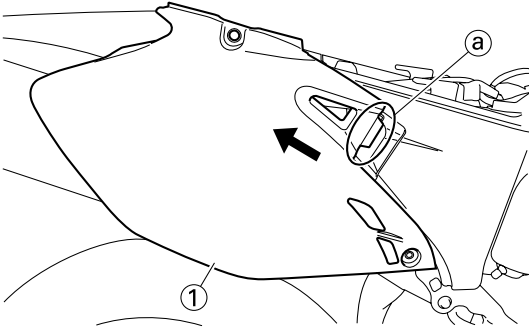
Order	Part name	Q'ty	Remarks
	Turn the fuel cock to "OFF".		
	Disconnect the fuel hose.		
1	Seat	1	
2	Air scoop (left and right)	2	
3	Bolt (fuel tank)	2	
4	Fuel tank	1	
5	Left side cover	1	Open the air filter case cover.
6	Right side cover	1	Refer to removal section.
7	Headlight coupler	1	
8	Headlight	1	

REMOVING THE SIDE COVER

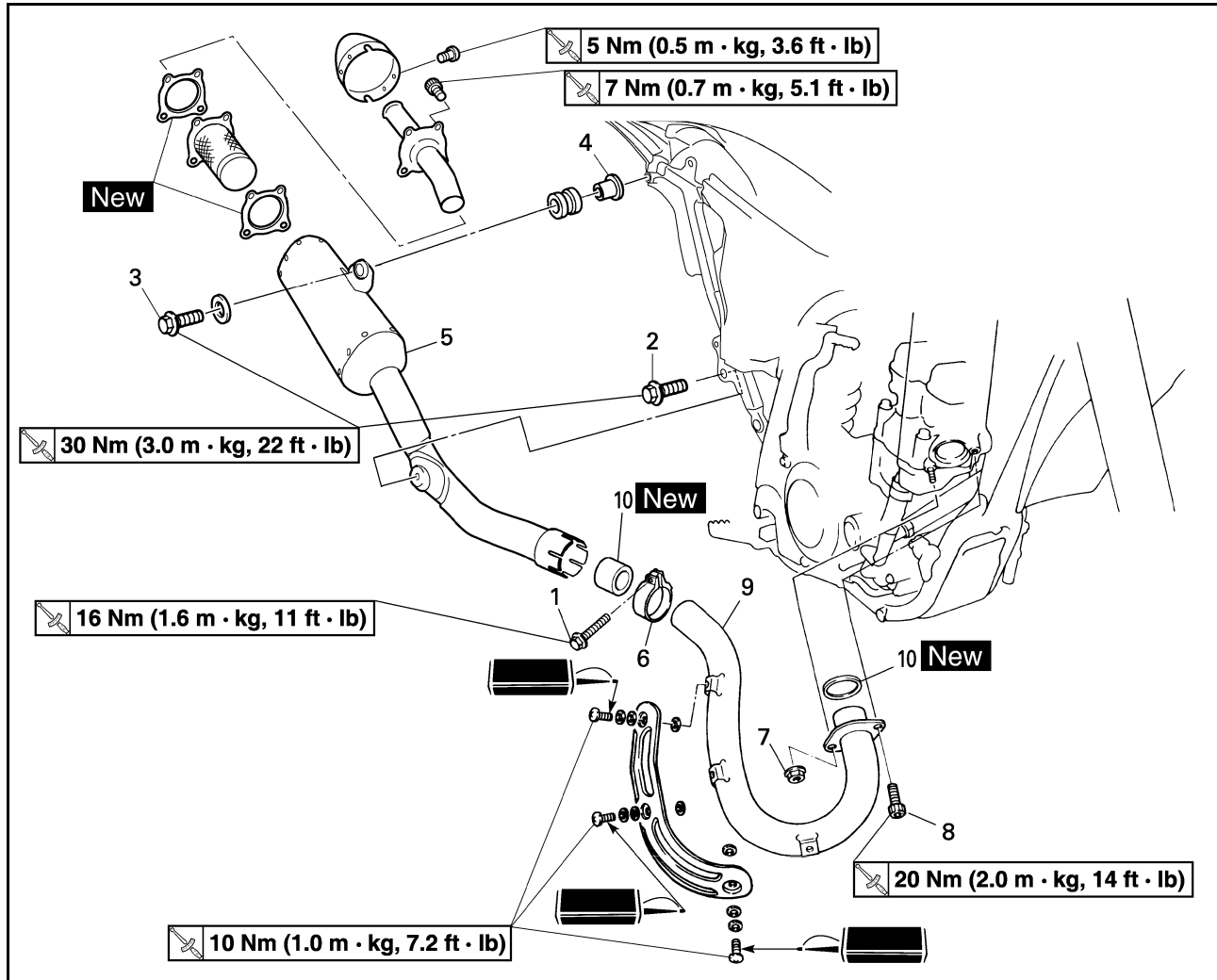
1. Remove:
 - Bolt (side cover)
 - Right side cover "1"

TIP

Draw the side cover backward to remove it because its claw "a" is inserted in the air filter case.



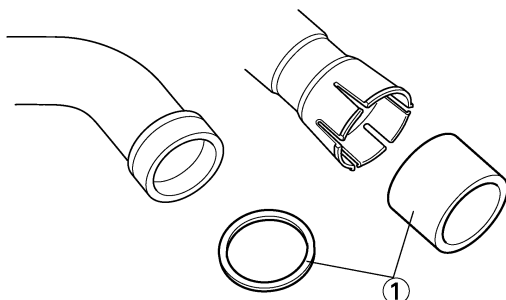
REMOVING THE EXHAUST PIPE AND SILENCER



Order	Part name	Q'ty	Remarks
	Right side cover		Refer to "REMOVING THE SEAT, FUEL TANK AND SIDE COVERS" section.
1	Bolt (silencer clamp)	1	Only loosening.
2	Bolt [silencer (front)]	1	
3	Bolt [silencer (rear)]	1	
4	Collar	1	
5	Silencer	1	
6	Silencer clamp	1	
7	Nut (exhaust pipe)	1	
8	Bolt (exhaust pipe)	1	
9	Exhaust pipe	1	
10	Gasket	2	

CHECKING THE SILENCER AND EXHAUST PIPE

- Inspect:
 - Gasket "1"
Damage → Replace.



INSTALLING THE SILENCER AND EXHAUST PIPE

- Install:
 - Gasket **New**
 - Exhaust pipe "1"
 - Nut (exhaust pipe) "2"

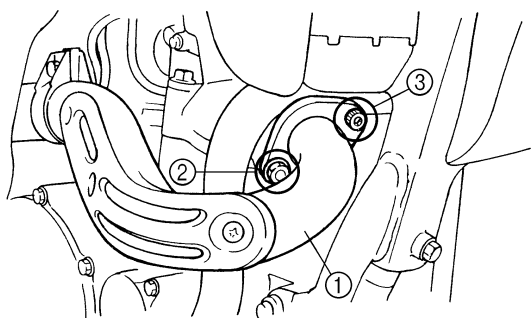
	Nut (exhaust pipe): 20 Nm (2.0 m•kg, 14 ft•lb)
---	--

- Bolt (exhaust pipe) "3"


	Bolt (exhaust pipe): 20 Nm (2.0 m•kg, 14 ft•lb)
---	---

TIP

First, temporarily tighten the nut (exhaust pipe), then tighten the bolt (exhaust pipe) 13 Nm (1.3 m•kg, 9.4 ft•lb). After that, retighten the nut (exhaust pipe) 20 Nm (2.0 m•kg, 14 ft•lb) and then the bolt (exhaust pipe) 20 Nm (2.0 m•kg, 14 ft•lb).




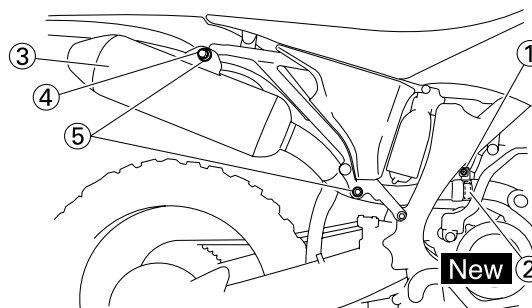
- Install:
 - Silencer clamp "1"

	Silencer clamp: 16 Nm (1.6 m•kg, 11 ft•lb)
---	--

- Gasket "2" **New**
- Silencer "3"
- Washer "4"

- Bolt (silencer) "5"

	Bolt (silencer): 30 Nm (3.0 m•kg, 22 ft•lb)
---	---



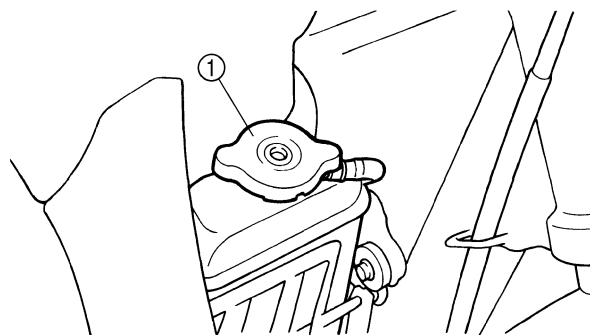
CHECKING THE COOLANT LEVEL

⚠ WARNING

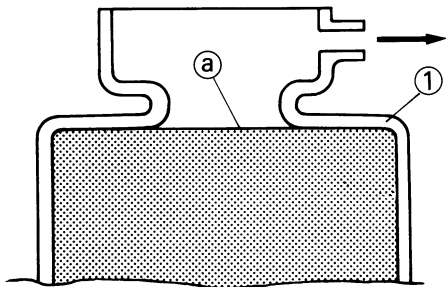
Do not remove the radiator cap "1", drain bolt and hoses when the engine and radiator are hot. Scalding hot fluid and steam may be blown out under pressure, which could cause serious injury. When the engine has cooled, place a thick towel over the radiator cap, slowly rotate the cap counterclockwise to the detent. This procedure allows any residual pressure to escape. When the hissing sound has stopped, press down on the cap while turning counterclockwise and remove it.

NOTICE

Hard water or salt water is harmful to the engine parts. You may use distilled water, if you can't get soft water.



- Place the machine on a level place, and hold it in an upright position.
- Remove:
 - Radiator cap
- Check:
 - Coolant level "a"
Coolant level low → Add coolant.



1. Radiator

CHANGING THE COOLANT

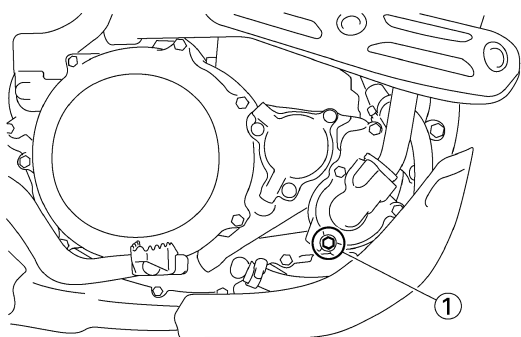
WARNING

Do not remove the radiator cap when the engine is hot.

NOTICE

Take care so that coolant does not splash on painted surfaces. If it splashes, wash it away with water.

1. Place a container under the engine.
2. Remove:
 - Seat
 - Left side cover
3. Remove the catch tank hose from the catch tank and drain the tank of its coolant.
4. Remove:
 - Coolant drain bolt "1"



5. Remove:
 - Radiator cap
 Drain the coolant completely.
6. Clean:
 - Cooling system
 Thoroughly flush the cooling system with clean tap water.
7. Install:
 - Copper washer **New**
 - Coolant drain bolt



Coolant drain bolt:
10 Nm (1.0 m•kg, 7.2 ft•lb)

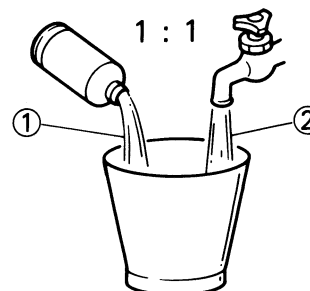
8. Fill:
 - Radiator
 - Engine
 To specified level.



Recommended coolant:
High quality ethylene glycol anti-freeze containing anti-corrosion for aluminum engine
Coolant "1" and water (soft water) "2" mixing ratio:
50%/50%
Coolant capacity:
1.0 L (0.88 Imp qt, 1.06 US qt)

NOTICE

- Do not mix more than one type of ethylene glycol antifreeze containing corrosion inhibitors for aluminum engine.
- Do not use water containing impurities or oil.



323-020

Handling notes of coolant:

The coolant is harmful so it should be handled with special care.

WARNING

- When coolant splashes to your eye. Thoroughly wash your eye with water and see your doctor.
- When coolant splashes to your clothes. Quickly wash it away with water and then with soap.
- When coolant is swallowed. Quickly make him vomit and take him to a doctor.

9. Install:
 - Radiator cap
 Start the engine and warm it up for a several minutes.

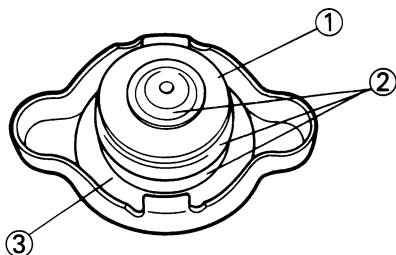
10. Check:

- Coolant level
Coolant level low → Add coolant.

CHECKING THE RADIATOR CAP

1. Inspect:

- Seal (radiator cap) "1"
- Valve and valve seat "2"
Crack/damage → Replace.
Exist fur deposits "3" → Clean or replace.



CHECKING THE RADIATOR CAP OPENING PRESSURE

1. Attach:

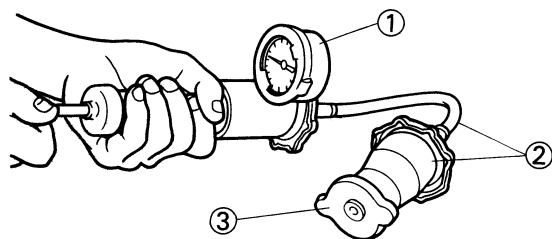
- Radiator cap tester "1" and adapter "2"



Radiator cap tester:
YU-24460-01/90890-01325
Radiator cap tester adapter:
YU-33984/90890-01352

TIP

Apply water on the radiator cap seal.



3. Radiator cap
2. Apply the specified pressure.



Radiator cap opening pressure:
110 kPa (1.1 kg/cm², 15.6 psi)

3. Inspect:

- Pressure
Impossible to maintain the specified pressure for 10 seconds → Replace.

CHECKING THE COOLING SYSTEM

1. Inspect:

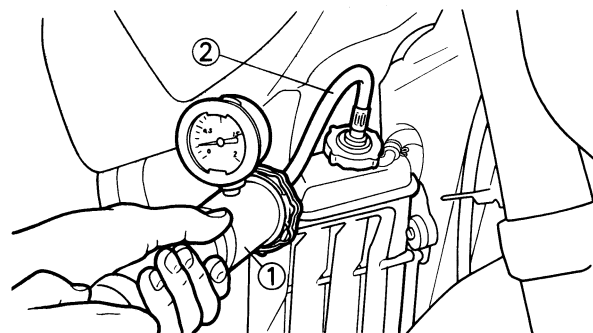
- Coolant level

2. Attach:

- Radiator cap tester "1" and adapter "2"



Radiator cap tester:
YU-24460-01/90890-01325
Radiator cap tester adapter:
YU-33984/90890-01352



3. Apply the specified pressure.



Standard pressure:
180 kPa (1.8 kg/cm², 25.6 psi)

TIP

- Do not apply pressure more than specified pressure.
- Radiator should be filled fully.

4. Inspect:

- Pressure
Impossible to maintain the specified pressure for 10 seconds → Repair.
- Radiator
- Radiator hose joint
Coolant leakage → Repair or replace.
- Radiator hose
Swelling → Replace.

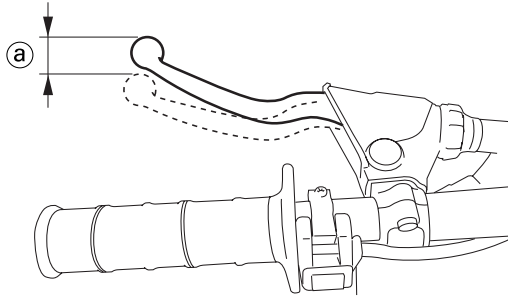
ADJUSTING THE CLUTCH CABLE FREE PLAY

1. Check:

- Clutch lever free play "a"
Out of specification → Adjust.



Clutch lever free play "a" :
8–13 mm (0.31–0.51 in)



2. Adjust:
- Clutch lever free play



Clutch lever free play adjustment steps:

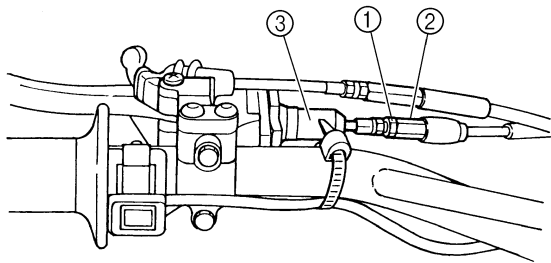
- Loosen the locknuts "1".
- Turn the adjuster "2" until free play "a" is within the specified limits..
- Tighten the locknuts.

	Locknut: 4 Nm (0.4 m•kg, 2.9 ft•lb)
---	---




TIP

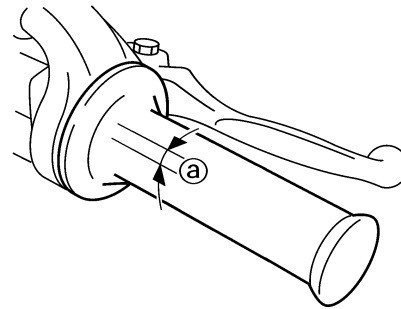
- Make minute adjustment on the lever side using the adjuster "3".
- After adjustment, check proper operation of clutch lever.



ADJUSTING THE THROTTLE CABLE FREE PLAY

- Check:
 - Throttle grip free play "a"
Out of specification → Adjust.

	Throttle grip free play "a": 3–5 mm (0.12–0.20 in)
---	--



2. Adjust:
- Throttle grip free play



Throttle grip free play adjustment steps:

- Slide the adjuster cover.
- Loosen the locknut "1".
- Turn the adjuster "2" until the specified free play is obtained.
- Tighten the locknut.

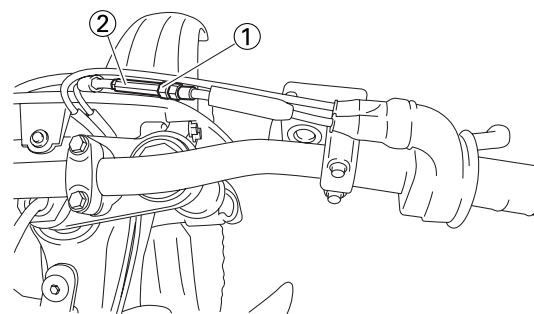
	Locknut: 4 Nm (0.4 m•kg, 2.9 ft•lb)
---	---

TIP

Before adjusting the throttle cable free play, the engine idle speed should be adjusted.

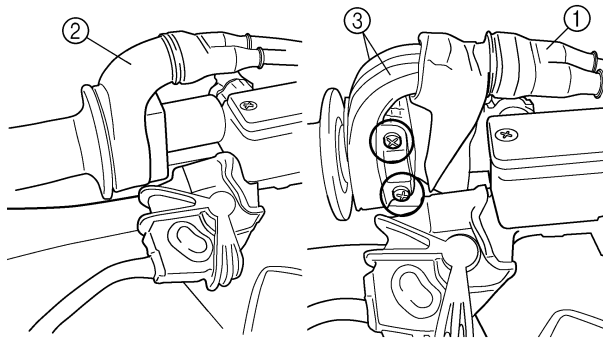
! WARNING

After adjusting the throttle cable free play, start the engine and turn the handlebar to right and left and make sure that the engine idling does not run faster.



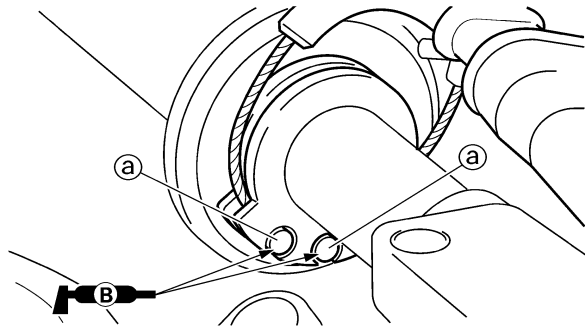
LUBRICATING THE THROTTLE

- Remove:
 - Cover (throttle cable cap) "1"
 - Cover (grip cap) "2"
 - Throttle grip cap "3"




2. Apply:

- Lithium soap base grease
On the throttle cable end "a".



3. Install:

- Throttle grip cap
- Screw (throttle grip cap)


	Screw (throttle grip cap): 4 Nm (0.4 m•kg, 2.9 ft•lb)
---	--

- Cover (grip cap)
- Cover (throttle cable cap)

ADJUSTING THE HOT STARTER LEVER FREE PLAY

1. Check:

- Hot starter lever free play "a"
Out of specification → Adjust.


	Hot starter lever free play "a": 3–6 mm (0.12–0.24 in)
---	---

2. Adjust:

- Hot starter lever free play

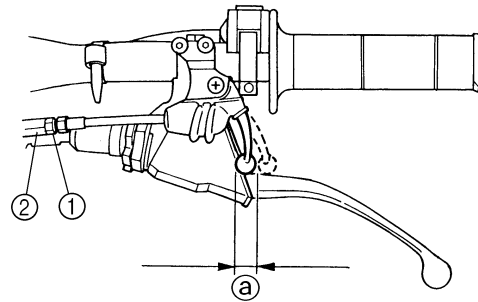
Hot starter lever free play adjustment steps:

- Loosen the locknut "1".
- Turn the adjuster "2" until free play "a" is within the specified limits.
- Tighten the locknut.

	Locknut: 4 Nm (0.4 m•kg, 2.9 ft•lb)
---	--

TIP

After adjustment, check proper operation of hot starter.



CLEANING THE AIR FILTER ELEMENT

TIP

Proper air filter maintenance is the biggest key to preventing premature engine wear and damage.

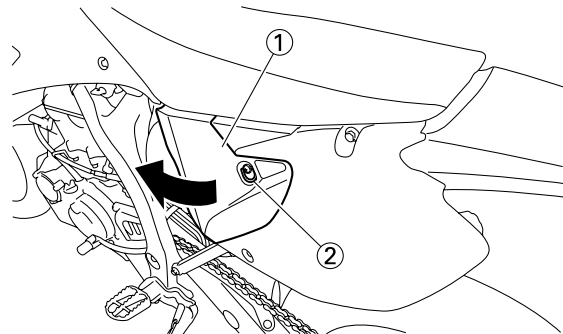
NOTICE

Never run the engine without the air filter element in place; this would allow dirt and dust to enter the engine and cause rapid wear and possible engine damage.

1. Open the air filter case cover "1"

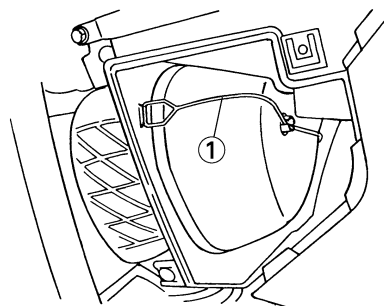
TIP

Loosen the quick screw "2" and pull on it to open the air filter case cover.



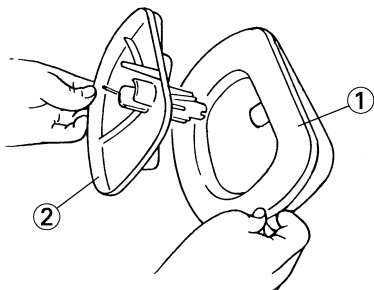
2. Unhook:

- Binder "1"



3. Remove:

- Air filter element "1"
- Filter guide "2"



4. Clean:

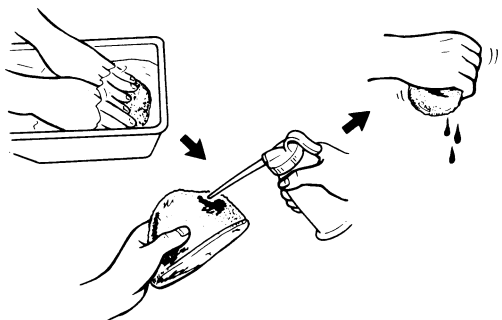
- Air filter element
- Clean them with solvent.

TIP

After cleaning, remove the remaining solvent by squeezing the element.

NOTICE

- Do not twist the element when squeezing the element.
- Leaving too much of solvent in the element may result in poor starting.



5. Inspect:

- Air filter element
- Damage → Replace.

6. Apply:

- Foam-air-filter oil or equivalent oil to the element

TIP

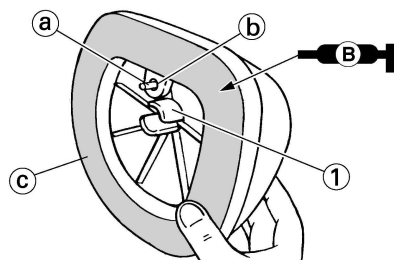
- Squeeze out the excess oil. Element should be wet but not dripping.
- Wipe off the oil left on the element surface using a clean dry cloth. (Excess oil in the element may adversely affect engine starting.)

7. Install:

- Filter guide "1"

TIP

- Align the projection "a" on filter guide with the hole "b" in air filter element.
- Apply the lithium soap base grease on the matching surface "c" on air filter element.

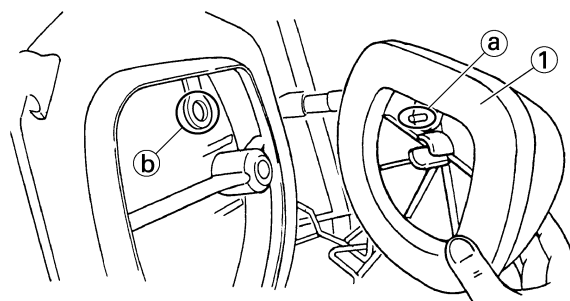


8. Install:

- Air filter element "1"

TIP

Align the projection "a" on filter guide with the hole "b" in air filter case.

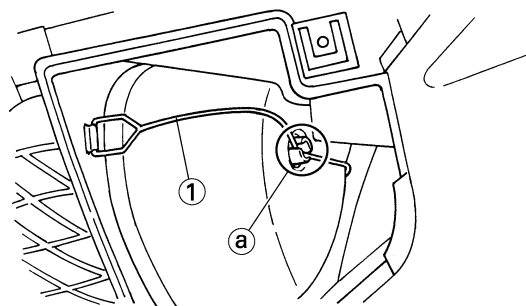


9. Hook:

- Binder "1"

TIP

Hook the binder "1" so that it contacts the filter guide projections "a".



CHECKING THE ENGINE OIL LEVEL

1. Stand the machine on a level surface.

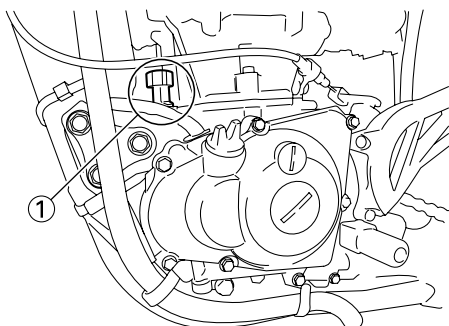
TIP

- When checking the oil level make sure that the machine is upright.
- Place the machine on a suitable stand.

WARNING

Never remove the oil tank cap just after high speed operation. The heated oil could spurt out, causing danger. Wait until the oil cools down to approximately 70°C (158°F).

2. Idle the engine more than 3 minutes while keeping the machine upright. Then stop the engine and inspect the oil level.
3. Remove:
 - Oil tank cap "1"



4. Inspect:

- Oil level

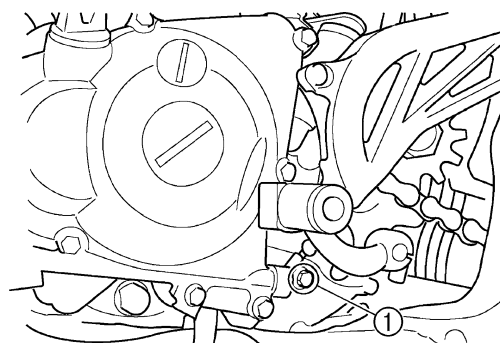
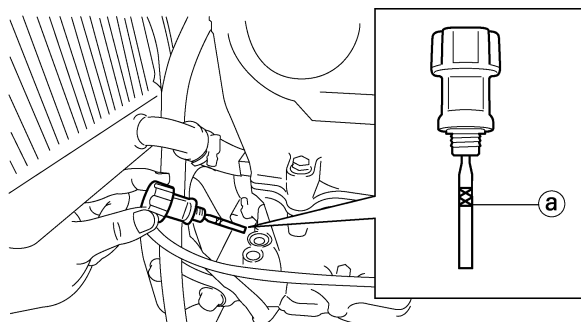
Check that the engine oil is above the level mark "a" and that the oil does not come out when the check bolt "1" is removed.

Below the level mark "a" → Add oil through the filler cap hole until it is above the level mark "a".

Oil comes out at the check bolt → Drain the oil until it stops coming out.

TIP

When inspecting the oil level, do not screw the oil level gauge into the oil tank. Insert the gauge lightly.

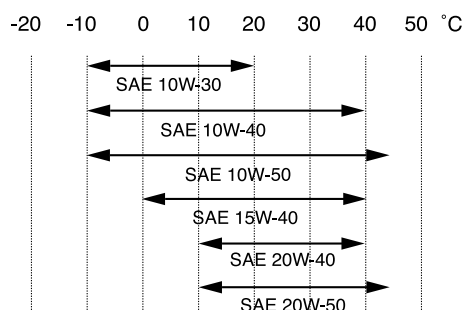


NOTICE

- Engine oil also lubricates the clutch and the wrong oil types or additives could cause clutch slippage. Therefore, do not add any chemical additives or use engine oils with a grade of CD or higher and do not use oils labeled "ENERGY CONSERVING II".
- Do not allow foreign materials to enter the crankcase.



Recommended brand: YAMALUBE
Recommended engine oil type
SAE 10W-30, SAE 10W-40, SAE 10W-50, SAE 15W-40, SAE 20W-40 or SAE 20W-50
Recommended engine oil grade
API service SG type or higher, JASO standard MA



5. Start the engine and let it warm up for several minutes.

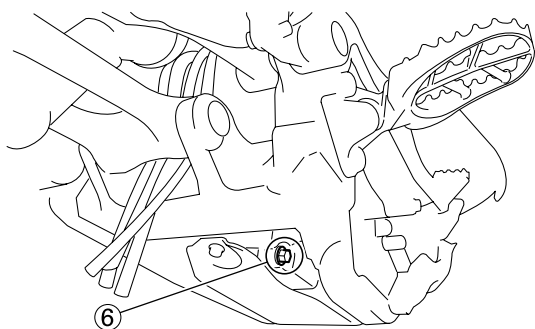
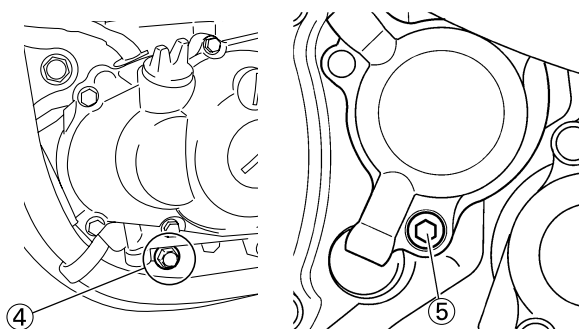
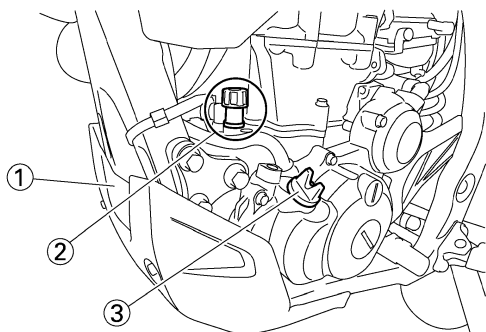
NOTICE

When the oil tank is empty, never start the engine.

6. Idle the engine more than 10 seconds while keeping the machine upright. Then stop the engine and add the oil to the maximum level.
7. Install:
 - Oil tank cap

CHANGING THE ENGINE OIL

1. Start the engine and let it warm up for several minutes.
2. Stop the engine and place an oil pan under the drain bolt.
3. Remove:
 - Engine guard "1"
 - Oil tank plug "2"
 - Oil filler cap "3"
 - Drain bolt (with gasket) "4"
 - Oil filter drain bolt (O-ring) "5"
 - Drain bolt (with gasket) "6"
 Drain the crankcase and oil tank of its oil.




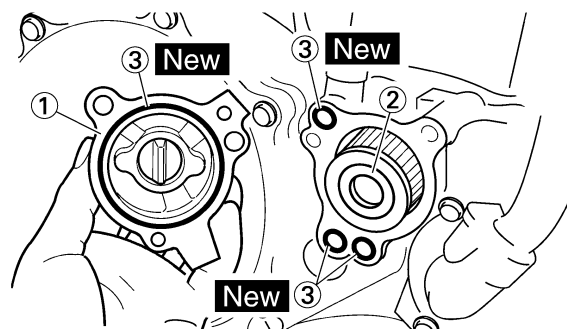
4. If the oil filter is to be replaced during this oil change, remove the following parts and reinstall them.

Replacement steps:


- a. Remove the oil filter element cover "1" and oil filter element "2".
- b. Check the O-rings "3", if cracked or damaged, replace them with a new one.

- c. Install the oil filter element and oil filter element cover.

	Oil filter element cover: 10 Nm (1.0 m•kg, 7.2 ft•lb)
---	---



5. Install:
 - Gaskets **New**
 - Oil filter drain bolt

	Oil filter drain bolt: 10 Nm (1.0 m•kg, 7.2 ft•lb)
---	--


- Drain bolt (right crankcase)

	Drain bolt (right crankcase): 20 Nm (2.0 m•kg, 14 ft•lb)
--	--

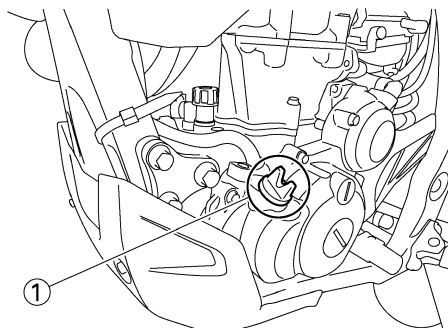
- Drain bolt (left crankcase)

	Drain bolt (left crankcase): 20 Nm (2.0 m•kg, 14 ft•lb)
---	---

6. Fill:
 - Engine oil

	Oil quantity: Periodic oil change: 0.95 L (0.84 Imp qt, 1.00 US qt) With oil filter replacement: 1.0 L (0.88 Imp qt, 1.06 US qt) Total amount: 1.2 L (1.06 Imp qt, 1.27 US qt)
---	---

7. Install:
 - Oil filler cap "1"



8. Inspect:
- Engine (for oil leaks)
 - Oil level
- Refer to "CHECKING THE ENGINE OIL LEVEL".


CHECKING THE OIL PRESSURE

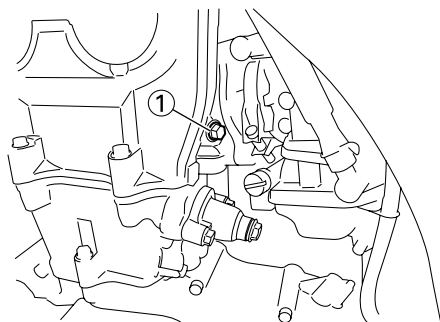
1. Check:
- Oil pressure



Checking steps:

- a. Slightly loosen the oil pressure check bolt "1".
- b. Start the engine and keep it idling until oil starts to seep from the oil pressure check bolt. If no oil comes out after one minute, turn the engine off so it will not seize.
- c. Check oil passages and oil pump for damage or leakage.
- d. Start the engine after solving the problem(s) and recheck the oil pressure.
- e. Tighten the oil pressure check bolt.

	Oil pressure check bolt: 10 Nm (1.0 m•kg, 7.2 ft•lb)
---	---



ADJUSTING THE ENGINE IDLING SPEED

1. Start the engine and thoroughly warm it up.
2. Adjust:
 - Engine idling speed



Adjustment steps:

- a. Turn the throttle stop screw "1" until the specified engine idling speed.

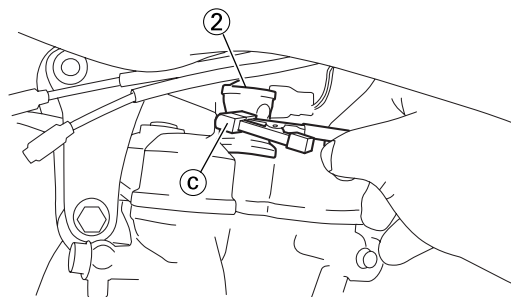
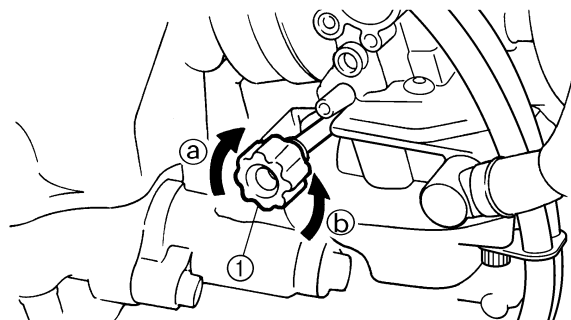
TIP

Using a digital engine tachometer for idle speed adjustment, detect the engine idling speed by bringing the sensing element "c" of the engine tachometer close to the ignition coil "2".

To increase idle speed → Turn the throttle stop screw "1" in "a".
To decrease idle speed → Turn the throttle stop screw "1" out "b".



Engine idling speed:
1,750–1,950 r/min



ADJUSTING THE VALVE CLEARANCE

TIP

This section is intended for those who have basic knowledge and skill concerning the servicing of Yamaha motorcycles (e.g., Yamaha dealers, service engineers, etc.) Those who have little knowledge and skill concerning servicing are requested not to undertake inspection, adjustment, disassembly, or reassembly only by reference to this manual. It may lead to servicing trouble and mechanical damage.

TIP

- The valve clearance should be adjusted when the engine is cool to the touch.
- The piston must be at Top Dead Center (T.D.C.) on compression stroke to check or adjust the valve clearance.

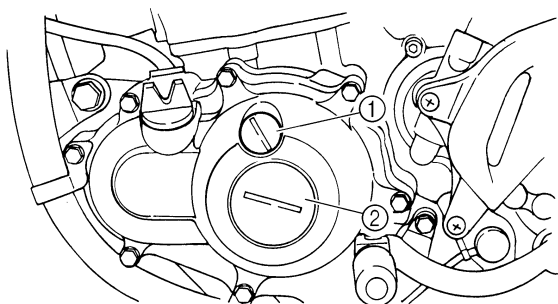
1. Remove:
 - Seat
 - Fuel tank
 Refer to "SEAT, FUEL TANK AND SIDE COVERS" section.

2. Remove:

- Air cut-off valve assembly
Refer to "AIR INDUCTION SYSTEM" section in the CHAPTER 5.
- Spark plug
- Engine upper bracket
- Cylinder head cover
Refer to "CAMSHAFTS" section in the CHAPTER 5.

3. Remove:

- Timing mark accessing screw "1"
- Crankshaft end accessing screw "2"
- O-ring



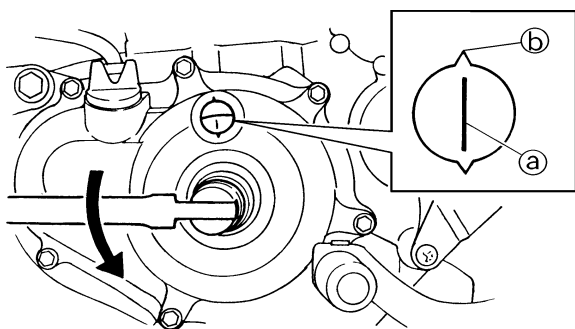
4. Check:

- Valve clearance
Out of specification → Adjust.

	Valve clearance (cold):
	Intake valve: 0.10–0.15 mm (0.0039–0.0059 in)
	Exhaust valve: 0.20–0.25 mm (0.0079–0.0098 in)

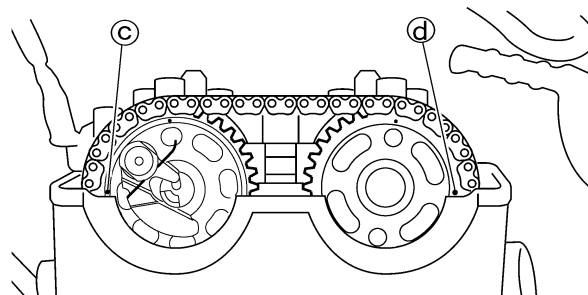
Checking steps:

- Turn the crankshaft counterclockwise with a wrench.
- Align the T.D.C. mark "a" on the rotor with the align mark "b" on the crankcase cover when piston is at T.D.C. on compression stroke.



TIP

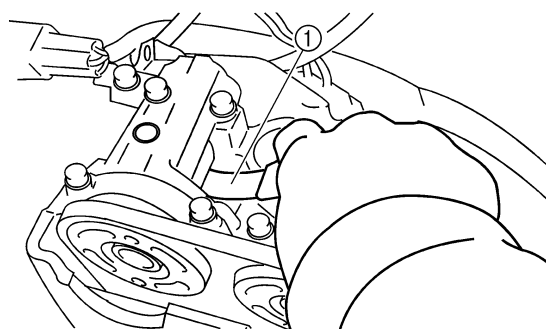
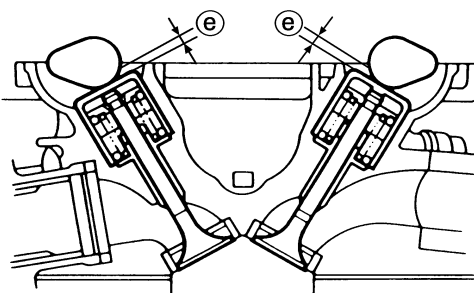
In order to be sure that the piston is at Top Dead Center, the punch mark "c" on the exhaust camshaft and the punch mark "d" on the intake camshaft must align with the cylinder head surface, as shown in the illustration.



- Measure the valve clearance "e" using a feeler gauge "1".

TIP

Record the measured reading if the clearance is incorrect.



5. Adjust:

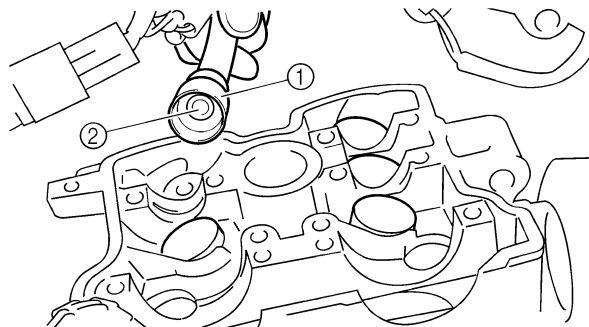
- Valve clearance

Adjustment steps:

- Remove the camshaft (intake and exhaust).
Refer to "CAMSHAFTS" section in the CHAPTER 5.
- Remove the valve lifters "1" and the pads "2".

TIP

- Place a rag in the timing chain space to prevent pads from falling into the crankcase.
- Identify each valve lifter and pad position very carefully so that they can be reinstalled in their original place.



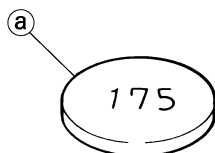
EX			
IN			

- c. Select the proper pad using the pad selecting table.

Pad range		Pad Availability: 25 increments
No. 120– No. 240	1.20 mm– 2.40 mm	Pads are available in 0.05 mm increments

TIP

The thickness "a" of each pad is indicated in hundredths of millimeters on the pad upper surface.



- d. Round off the last digit of the installed pad number to the nearest increment.

Last digit of pad number	Rounded valve
0, 1 or 2	0
4, 5 or 6	5
8 or 9	10

EXAMPLE:

Installed pad number = 148

Rounded off value = 150

TIP

Pads can only be selected in 0.05 mm increments.

- e. Locate the rounded-off value and the measured valve clearance in the chart "PAD SELECTION TABLE". The field where these two coordinates intersect shows the new pad number to use.

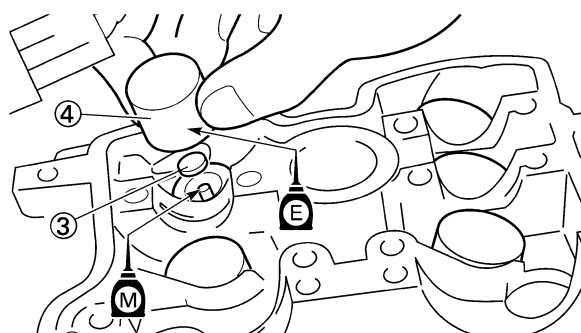
TIP

Use the new pad number only as a guide when verifying the valve clearance adjustment.

- f. Install the new pads "3" and the valve lifters "4".

TIP

- Apply the engine oil on the valve lifters.
- Apply the molybdenum disulfide oil on the valve stem ends.
- Valve lifter must turn smoothly when rotated with a finger.
- Be careful to reinstall valve lifters and pads in their original place.



- g. Install the camshafts (exhaust and intake). Refer to "CAMSHAFTS" section in the CHAPTER 5.

	Bolt (camshaft cap): 10 Nm (1.0 m•kg, 7.2 ft•lb)
--	--

- h. Install the timing chain tensioner.
Refer to "CAMSHAFTS" section in the
CHAPTER 5.

TIP _____

Turn the crankshaft counterclockwise several turns so that the installed parts settle into the right position.

- i. Recheck the valve clearance.
- j. If the clearance is still incorrect, repeat all the clearance adjustment steps until the specified clearance is obtained.



- 6. Install:
 - All removed parts

TIP _____

Install all removed parts in reversed order of their removal.

INTAKE

MEASURED CLEARANCE	INSTALLED PAD NUMBER																								
	120	125	130	135	140	145	150	155	160	165	170	175	180	185	190	195	200	205	210	215	220	225	230	235	240
0.00 - 0.04			120	125	130	135	140	145	150	155	160	165	170	175	180	185	190	195	200	205	210	215	220	225	230
0.05 - 0.09		120	125	130	135	140	145	150	155	160	165	170	175	180	185	190	195	200	205	210	215	220	225	230	235
0.10 - 0.15	STANDARD CLEARANCE																								
0.16 - 0.20	125	130	135	140	145	150	155	160	165	170	175	180	185	190	195	200	205	210	215	220	225	230	235	240	
0.21 - 0.25	130	135	140	145	150	155	160	165	170	175	180	185	190	195	200	205	210	215	220	225	230	235	240		
0.26 - 0.30	135	140	145	150	155	160	165	170	175	180	185	190	195	200	205	210	215	220	225	230	235	240			
0.31 - 0.35	140	145	150	155	160	165	170	175	180	185	190	195	200	205	210	215	220	225	230	235	240				
0.36 - 0.40	145	150	155	160	165	170	175	180	185	190	195	200	205	210	215	220	225	230	235	240					
0.41 - 0.45	150	155	160	165	170	175	180	185	190	195	200	205	210	215	220	225	230	235	240						
0.46 - 0.50	155	160	165	170	175	180	185	190	195	200	205	210	215	220	225	230	235	240							
0.51 - 0.55	160	165	170	175	180	185	190	195	200	205	210	215	220	225	230	235	240								
0.56 - 0.60	165	170	175	180	185	190	195	200	205	210	215	220	225	230	235	240									
0.61 - 0.65	170	175	180	185	190	195	200	205	210	215	220	225	230	235	240										
0.66 - 0.70	175	180	185	190	195	200	205	210	215	220	225	230	235	240											
0.71 - 0.75	180	185	190	195	200	205	210	215	220	225	230	235	240												
0.76 - 0.80	185	190	195	200	205	210	215	220	225	230	235	240													
0.81 - 0.85	190	195	200	205	210	215	220	225	230	235	240														
0.86 - 0.90	195	200	205	210	215	220	225	230	235	240															
0.91 - 0.95	200	205	210	215	220	225	230	235	240																
0.96 - 1.00	205	210	215	220	225	230	235	240																	
1.01 - 1.05	210	215	220	225	230	235	240																		
1.06 - 1.10	215	220	225	230	235	240																			
1.11 - 1.15	220	225	230	235	240																				
1.16 - 1.20	225	230	235	240																					
1.21 - 1.25	230	235	240																						
1.26 - 1.30	235	240																							
1.31 - 1.35	240																								

VALVE CLEARANCE (cold):
 0.10 - 0.15 mm
 Example: Installed is 175
 Measured clearance is 0.23 mm
 Replace 175 pad with 185 pad
 Pad number: (example)
 Pad No. 175 = 1.75 mm
 Pad No. 185 = 1.85 mm

EXHAUST

MEASURED CLEARANCE	INSTALLED PAD NUMBER																								
	120	125	130	135	140	145	150	155	160	165	170	175	180	185	190	195	200	205	210	215	220	225	230	235	240
0.00 - 0.04					120	125	130	135	140	145	150	155	160	165	170	175	180	185	190	195	200	205	210	215	220
0.05 - 0.09				120	125	130	135	140	145	150	155	160	165	170	175	180	185	190	195	200	205	210	215	220	225
0.10 - 0.14			120	125	130	135	140	145	150	155	160	165	170	175	180	185	190	195	200	205	210	215	220	225	230
0.15 - 0.19		120	125	130	135	140	145	150	155	160	165	170	175	180	185	190	195	200	205	210	215	220	225	230	235
0.20 - 0.25	STANDARD CLEARANCE																								
0.26 - 0.30	125	130	135	140	145	150	155	160	165	170	175	180	185	190	195	200	205	210	215	220	225	230	235	240	
0.31 - 0.35	130	135	140	145	150	155	160	165	170	175	180	185	190	195	200	205	210	215	220	225	230	235	240		
0.36 - 0.40	135	140	145	150	155	160	165	170	175	180	185	190	195	200	205	210	215	220	225	230	235	240			
0.41 - 0.45	140	145	150	155	160	165	170	175	180	185	190	195	200	205	210	215	220	225	230	235	240				
0.46 - 0.50	145	150	155	160	165	170	175	180	185	190	195	200	205	210	215	220	225	230	235	240					
0.51 - 0.55	150	155	160	165	170	175	180	185	190	195	200	205	210	215	220	225	230	235	240						
0.56 - 0.60	155	160	165	170	175	180	185	190	195	200	205	210	215	220	225	230	235	240							
0.61 - 0.65	160	165	170	175	180	185	190	195	200	205	210	215	220	225	230	235	240								
0.66 - 0.70	165	170	175	180	185	190	195	200	205	210	215	220	225	230	235	240									
0.71 - 0.75	170	175	180	185	190	195	200	205	210	215	220	225	230	235	240										
0.76 - 0.80	175	180	185	190	195	200	205	210	215	220	225	230	235	240											
0.81 - 0.85	180	185	190	195	200	205	210	215	220	225	230	235	240												
0.86 - 0.90	185	190	195	200	205	210	215	220	225	230	235	240													
0.91 - 0.95	190	195	200	205	210	215	220	225	230	235	240														
0.96 - 1.00	195	200	205	210	215	220	225	230	235	240															
1.01 - 1.05	200	205	210	215	220	225	230	235	240																
1.06 - 1.10	205	210	215	220	225	230	235	240																	
1.11 - 1.15	210	215	220	225	230	235	240																		
1.16 - 1.20	215	220	225	230	235	240																			
1.21 - 1.25	220	225	230	235	240																				
1.26 - 1.30	225	230	235	240																					
1.31 - 1.35	230	235	240																						
1.36 - 1.40	235	240																							
1.41 - 1.45	240																								

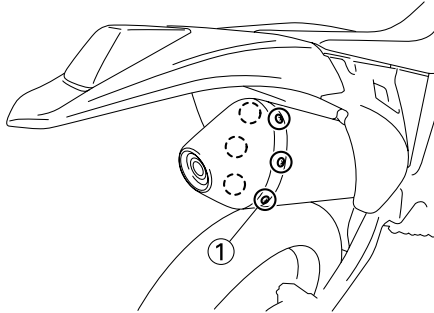
VALVE CLEARANCE (cold):
 0.20 - 0.25 mm
 Example: Installed is 175
 Measured clearance is 0.32 mm
 Replace 175 pad with 185 pad
 Pad number: (example)
 Pad No. 175 = 1.75 mm
 Pad No. 185 = 1.85 mm

CLEANING THE SPARK ARRESTER (For USA)

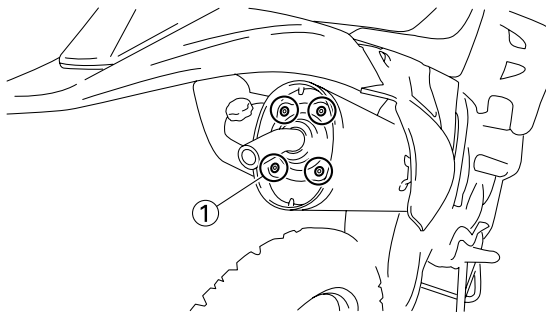
⚠ WARNING

- Be sure the exhaust pipe and silencer are cool before cleaning the spark arrester.
- Do not start the engine when cleaning the exhaust system.

1. Remove:
 - Screw (silencer cap) "1"

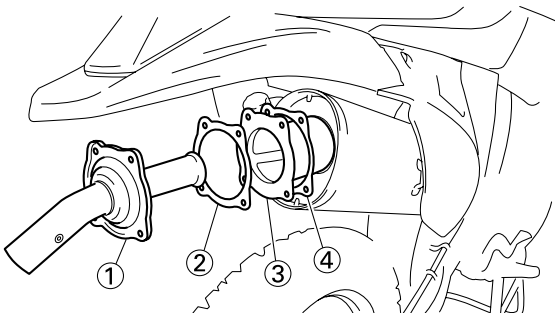


2. Remove:
 - Bolt (spark arrester) "1"



3. Remove:
 - Tail pipe "1"
 - Gasket (tail pipe) "2"
 - Spark arrester "3"
 - Gasket (spark arrester) "4"

Pull the spark arrester out of the silencer.



4. Clean:
 - Spark arrester

Tap the spark arrester lightly, then use a wire brush to remove any carbon deposits.


5. Install:
 - Gasket (spark arrester)
 - Spark arrester

Insert the spark arrester into the silencer and align the bolt holes.

 - Gasket (tail pipe)
 - Bolt (spark arrester)

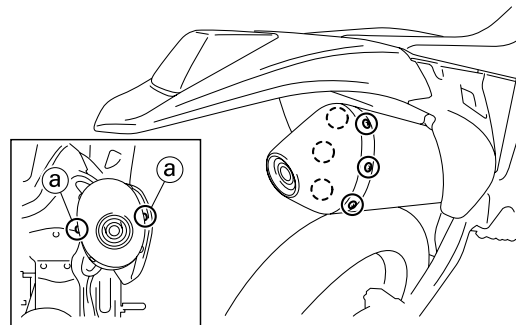
	Bolt (spark arrester): 7 Nm (0.7 m•kg, 5.1 ft•lb)
---	---

6. Install:
 - Silencer cap

	Silencer cap: 5 Nm (0.5 m•kg, 3.6 ft•lb)
---	--

TIP

First tighten the two screws "a" located horizontally apart, and then tighten the others.



CHASSIS

BLEEDING THE HYDRAULIC BRAKE SYSTEM

⚠ WARNING

Bleed the brake system if:

- The system has been disassembled.
- A brake hose has been loosened or removed.
- The brake fluid is very low.
- The brake operation is faulty.

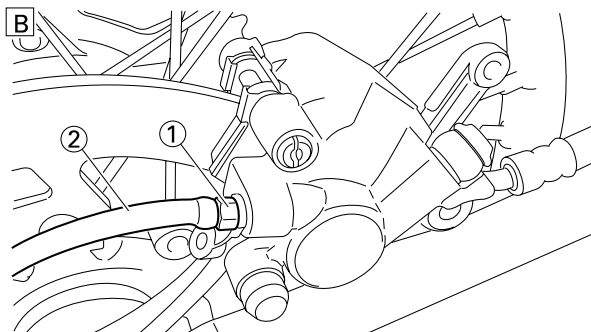
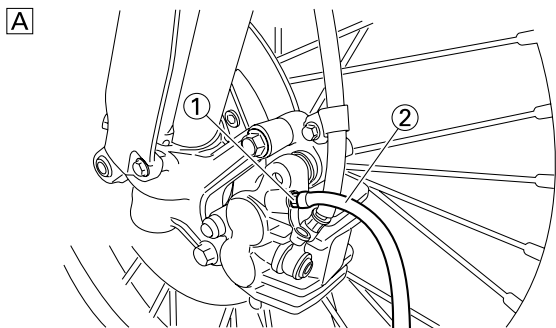
A dangerous loss of braking performance may occur if the brake system is not properly bled.

1. Remove:
 - Brake master cylinder cap
 - Diaphragm
 - Reservoir float (front brake)
 - Protector (rear brake)
2. Bleed:
 - Brake fluid



Air bleeding steps:


- a. Add proper brake fluid to the reservoir.
- b. Install the diaphragm. Be careful not to spill any fluid or allow the reservoir to overflow.
- c. Connect the clear plastic tube "2" tightly to the caliper bleed screw "1".



A. Front
B. Rear

- d. Place the other end of the tube into a container.

- e. Slowly apply the brake lever or pedal several times.
- f. Pull the lever in or push down on the pedal. Hold the lever or pedal in position.
- g. Loosen the bleed screw and allow the lever or pedal to travel towards its limit.
- h. Tighten the bleed screw when the lever or pedal limit has been reached; then release the lever or pedal.

	Bleed screw: 6 Nm (0.6 m•kg, 4.3 ft•lb)
---	--

- i. Repeat steps (e) to (h) until of the air bubbles have been removed from the system.

TIP

If bleeding is difficult, it may be necessary to let the brake fluid system stabilize for a few hours. Repeat the bleeding procedure when the tiny bubbles in the system have disappeared.

- j. Add brake fluid to the level line on the reservoir.

⚠ WARNING


Check the operation of the brake after bleeding the brake system.

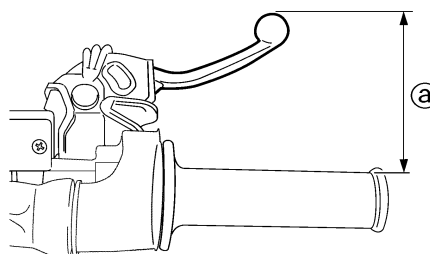


3. Install:
 - Protector (rear brake)
 - Reservoir float (front brake)
 - Diaphragm
 - Brake master cylinder cap

ADJUSTING THE FRONT BRAKE

1. Check:
 - Brake lever position "a"

	Brake lever position "a":	
Standard position	Extent of adjustment	
95 mm (3.74 in)	76–97 mm (2.99–3.82 in)	

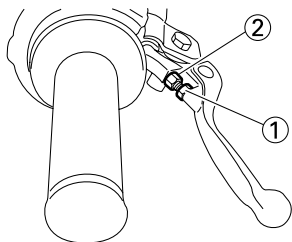


2. Remove:
 - Brake lever cover
3. Adjust:
 - Brake lever position




Brake lever position adjustment steps:

- a. Loosen the locknut "1".
- b. Turn the adjusting bolt "2" until the lever position "a" is within specified position.



- c. Tighten the locknut.

	Locknut: 5 Nm (0.5 m •kg, 3.6 ft•lb)
---	--

⚠ WARNING


Be sure to tighten the locknut, as it will cause poor brake performance.

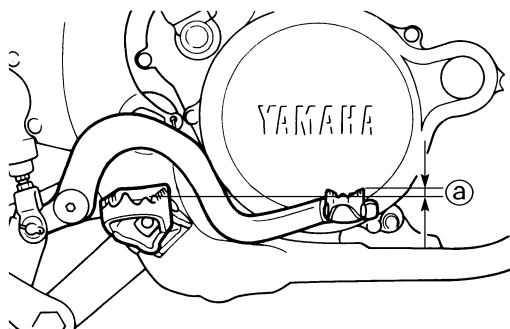


4. Install:
 - Brake lever cover

ADJUSTING THE REAR BRAKE

1. Check:
 - Brake pedal height "a"
 Out of specification → Adjust.

	Brake pedal height "a": 10 mm (0.39 in)
---	---



2. Adjust:
 - Brake pedal height

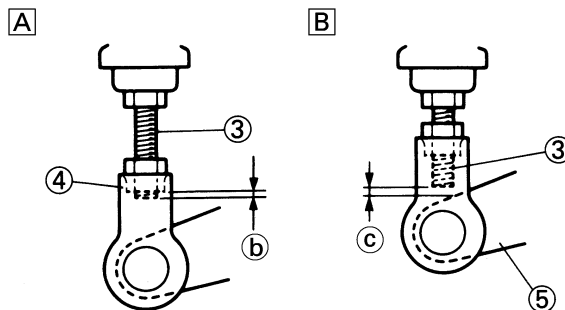
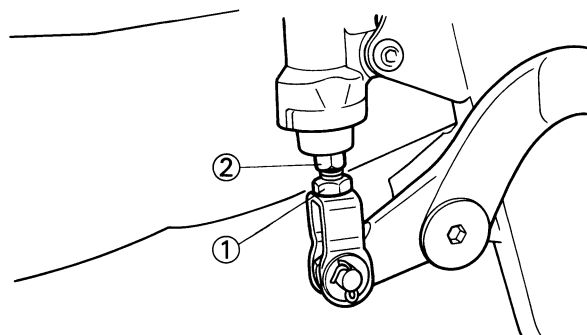


Pedal height adjustment steps:

- a. Loosen the locknut "1".
- b. Turn the adjusting nut "2" until the pedal height "a" is within specified height.
- c. Tighten the locknut.


⚠ WARNING

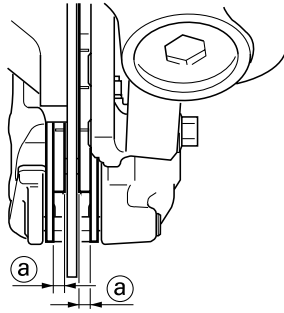
- Adjust the pedal height between the maximum "A" and the minimum "B" as shown. (In this adjustment, the bolt "3" end "b" should protrude out of the threaded portion "4" but not be less than 2 mm (0.08 in) "c" away from the brake pedal "5").
- After the pedal height adjustment, make sure that the rear brake does not drag.



CHECKING AND REPLACING THE FRONT BRAKE PADS

1. Inspect:
 - Brake pad thickness "a"
 Out of specification → Replace as a set.

	Brake pad thickness: 4.4 mm (0.17 in) <Limit>: 1.0 mm (0.04 in)
---	--

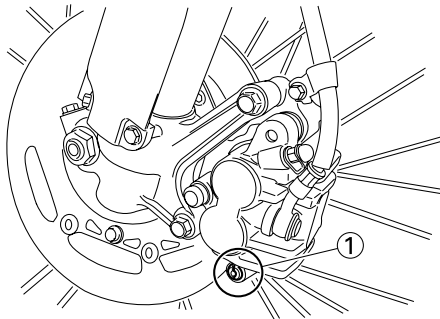


2. Replace:
- Brake pad

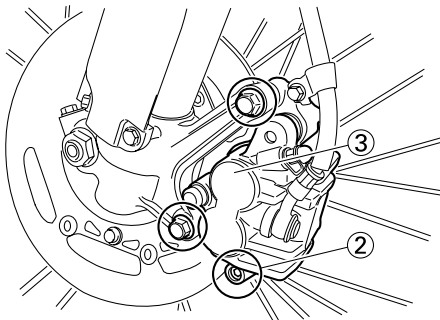


Brake pad replacement steps:

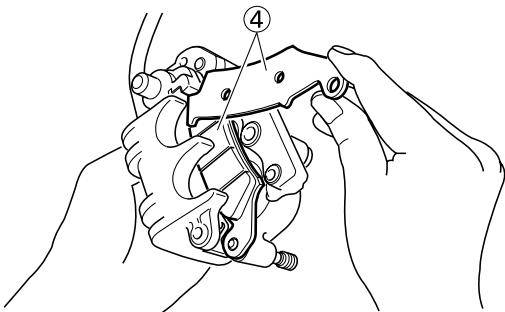
- a. Remove the pad pin plug "1".



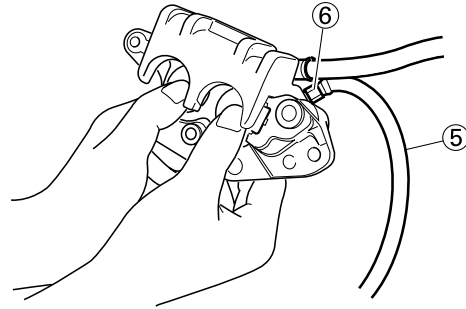
- b. Loosen the pad pin "2".
c. Remove the brake caliper "3" from the front fork.



- d. Remove the pad pin and brake pads "4".



- e. Connect the transparent hose "5" to the bleed screw "6" and place the suitable container under its end.



- f. Loosen the bleed screw and push the brake caliper piston in.

⚠ WARNING

Do not reuse the drained brake fluid.

- g. Tighten the bleed screw.

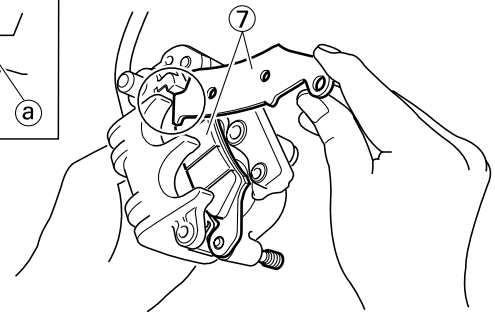
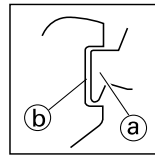


Bleed screw:
6 Nm (0.6 m•kg, 4.3 ft•lb)

- h. Install the brake pads "7" and pad pin.

TIP

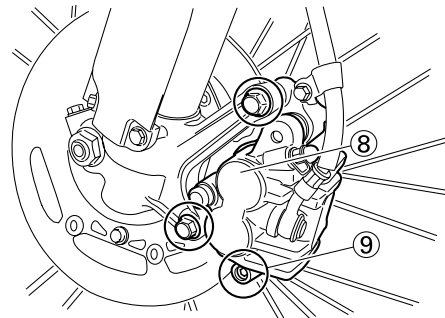
- Install the brake pads with their projections "a" into the brake caliper recesses "b".
- Temporarily tighten the pad pin at this point.



- i. Install the brake caliper "8" and tighten the pad pin "9".



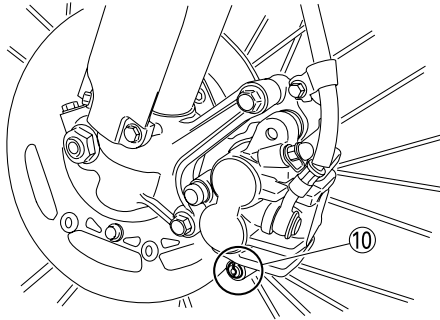
Bolt (brake caliper):
23 Nm (2.3 m•kg, 17 ft•lb)
Pad pin:
18 Nm (1.8 m•kg, 13 ft•lb)



j. Install the pad pin plug "10".



Pad pin plug:
3 Nm (0.3 m•kg, 2.2 ft•lb)



3. Inspect:

- Brake fluid level
Refer to "CHECKING THE BRAKE FLUID LEVEL" section.

4. Check:

- Brake lever operation
A softy or spongy feeling → Bleed brake system.
Refer to "BLEEDING THE HYDRAULIC BRAKE SYSTEM" section.

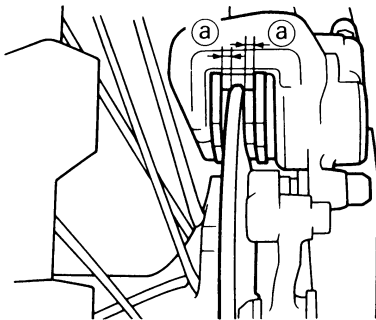
CHECKING AND REPLACING THE REAR BRAKE PADS

1. Inspect:

- Brake pad thickness "a"
Out of specification → Replace as a set.



Brake pad thickness:
6.4 mm (0.25 in)
<Limit>: 1.0 mm (0.04 in)



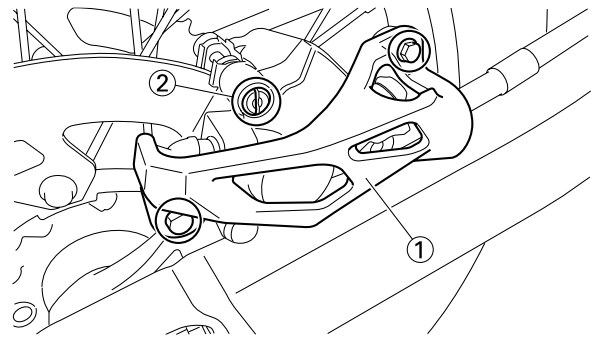
2. Replace:

- Brake pad



Brake pad replacement steps:

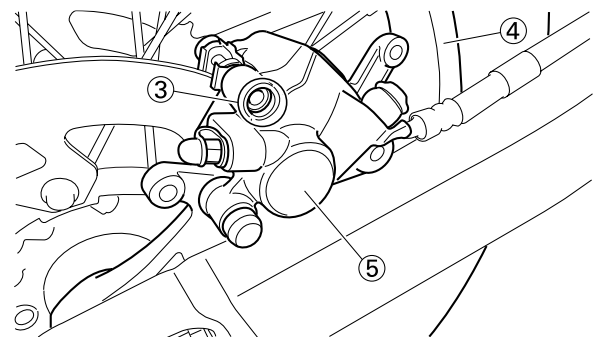
a. Remove the protector "1" and pad pin plug "2".



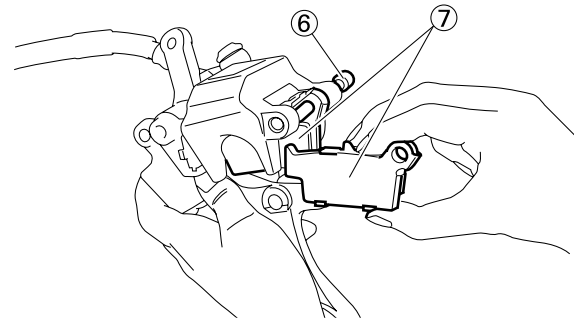
b. Loosen the pad pin "3".

c. Remove the rear wheel "4" and brake caliper "5".

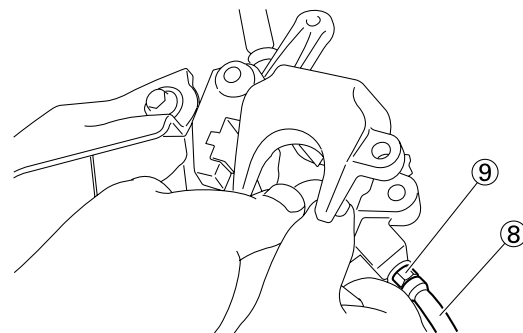
Refer to "FRONT WHEEL AND REAR WHEEL" section in the CHAPTER 6.



d. Remove the pad pin "6" and brake pads "7".



e. Connect the transparent hose "8" to the bleed screw "9" and place the suitable container under its end.



f. Loosen the bleed screw and push the brake caliper piston in.

⚠ WARNING

Do not reuse the drained brake fluid.

g. Tighten the bleed screw.

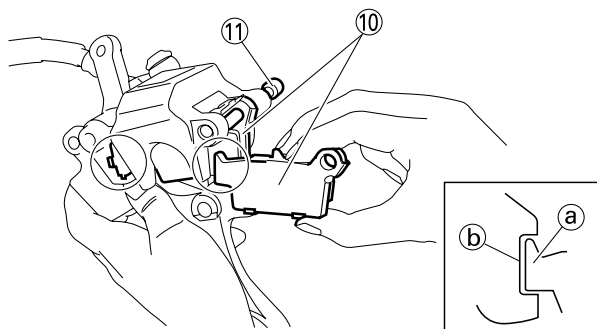


Bleed screw:
6 Nm (0.6 m•kg, 4.3 ft•lb)

h. Install the brake pad "10" and pad pin "11".

TIP

- Install the brake pads with their projections "a" into the brake caliper recesses "b".
- Temporarily tighten the pad pin at this point.



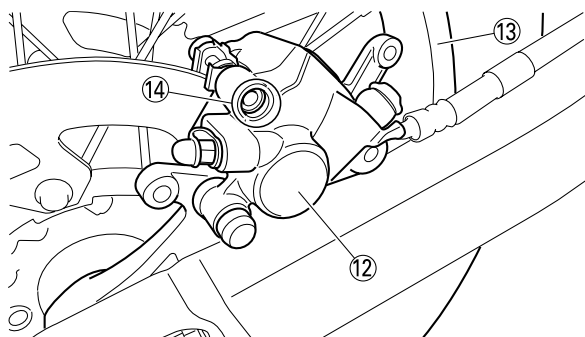
i. Install the brake caliper "12" and rear wheel "13".

Refer to "FRONT WHEEL AND REAR WHEEL" section in the CHAPTER 6.

j. Tighten the pad pin "14".



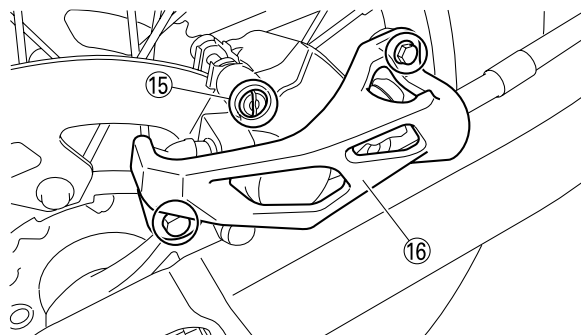
Pad pin:
18 Nm (1.8 m•kg, 13 ft•lb)



k. Install the pad pin plug "15" and protector "16".



Pad pin plug:
3 Nm (0.3 m•kg, 2.2 ft•lb)
Bolt (protector):
7 Nm (0.7 m•kg, 5.1 ft•lb)



3. Inspect:

- Brake fluid level
Refer to "CHECKING THE BRAKE FLUID LEVEL" section.

4. Check:

- Brake pedal operation
A softy or spongy feeling → Bleed brake system.
Refer to "BLEEDING THE HYDRAULIC BRAKE SYSTEM" section.

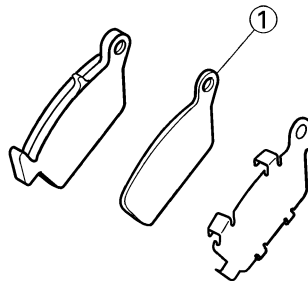
CHECKING THE REAR BRAKE PAD INSULATOR

1. Remove:

- Brake pad
Refer to "CHECKING AND REPLACING THE REAR BRAKE PADS" section.

2. Inspect:

- Rear brake pad insulator "1"
Damage → Replace.



CHECKING THE BRAKE FLUID LEVEL

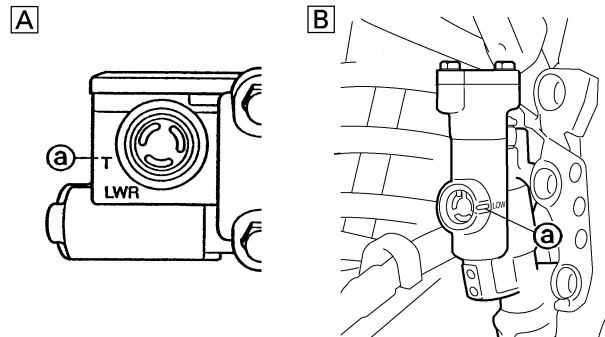
- Place the brake master cylinder so that its top is in a horizontal position.
- Inspect:
 - Brake fluid level
Fluid at lower level → Fill up.



Recommended brake fluid:
DOT #4

⚠ WARNING

- Use only designated quality brake fluid to avoid poor brake performance.
- Refill with same type and brand of brake fluid; mixing fluids could result in poor brake performance.
- Be sure that water or other contaminants do not enter master cylinder when refilling.
- Clean up spilled fluid immediately to avoid erosion of painted surfaces or plastic parts.



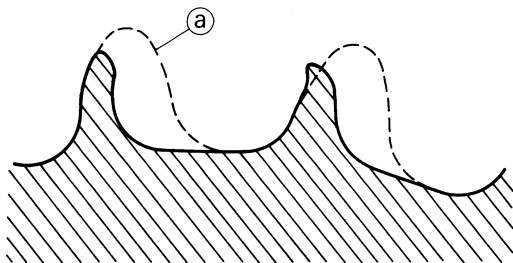
- a. Lower level
A. Front
B. Rear

CHECKING THE SPROCKET

1. Inspect:
 - Sprocket teeth "a"
Excessive wear → Replace.

TIP

Replace the drive sprocket, rear wheel sprocket and drive chain as a set.



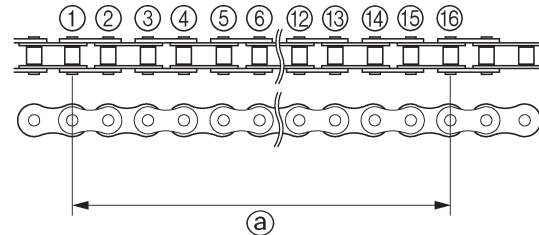
CHECKING THE DRIVE CHAIN

1. Measure:
 - Drive chain length (15 links) "a"
Out of specification → Replace.

	Drive chain length (15 links): <Limit>: 239.3 mm (9.42 in)
--	--

TIP

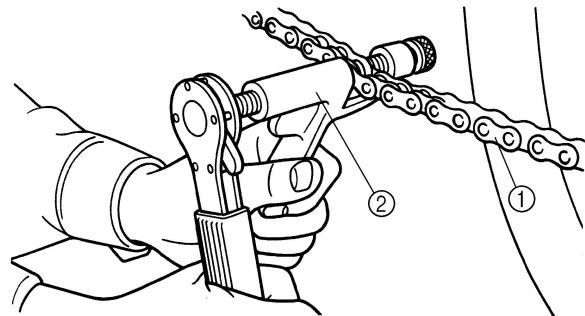
- While measuring the drive chain length, push down on the drive chain to increase its tension.
- Measure the length between drive chain roller "1" and "16" as shown.
- Perform this measurement at two or three different places.



2. Remove:
 - Drive chain "1"

TIP

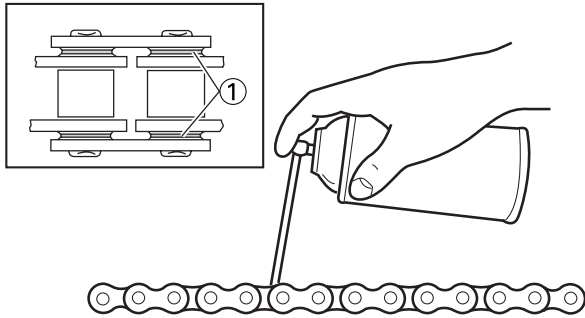
Remove the drive chain using a drive chain cutter "2".



3. Clean:
 - Drive chain
Brush off as much dirt as possible. Then clean the drive chain using the chain cleaner.

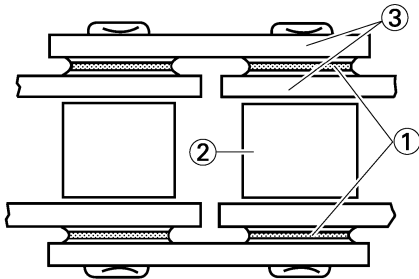
NOTICE

This machine has a drive chain with small rubber O-rings "1" between the side plates. Steam cleaning, high-pressure washes, certain solvent and kerosene can damage these O-rings.



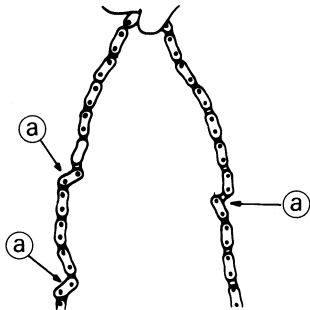
4. Inspect:

- O-ring "1" (drive chain)
Damage → Replace the drive chain.
- Roller "2"
- Side plate "3"
Damage/wear → Replace the drive chain.



5. Check:

- Drive chain stiffness "a"
Clean and oil the drive chain and hold as illustrated.
Stiff → Replace the drive chain.

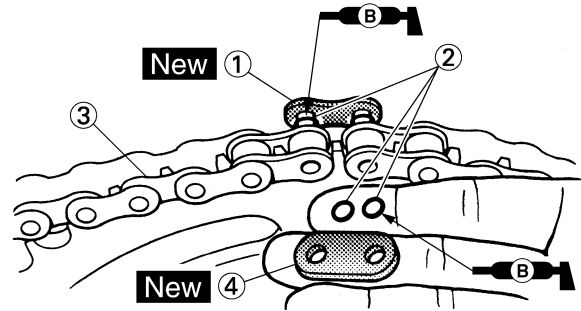


6. Install:

- Chain joint "1" **New**
- O-ring "2"
- Drive chain "3"
- Link plate "4" **New**

TIP

When installing the drive chain, apply the lithium soap base grease on the chain joint and O-rings.

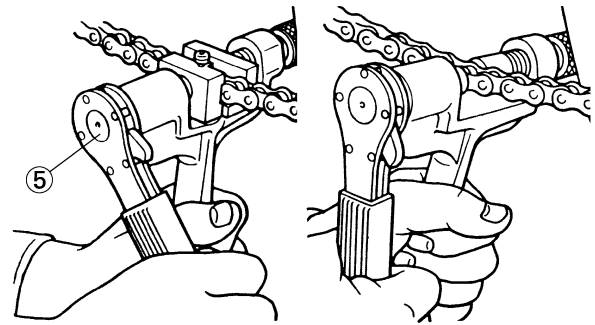


7. Install:

- Link plate

TIP

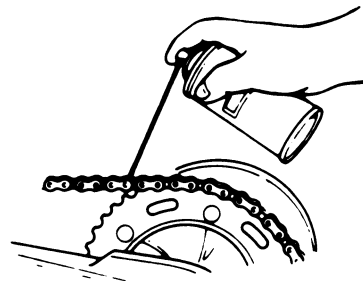
- Press the link plate onto the chain joint using a drive chain riveter "5".
- Rivet the end of the chain joint using a drive chain riveter.
- After riveting the chain joint, make sure its movement is smooth.



8. Lubricate:


- Drive chain

	Drive chain lubricant: SAE 10W-40 motor oil or suitable chain lubricants
--	---

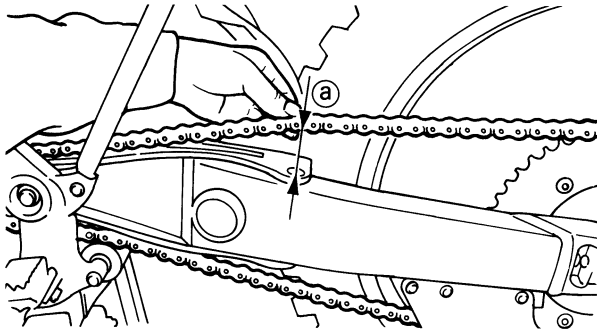


ADJUSTING THE DRIVE CHAIN SLACK

1. Elevate the rear wheel by placing the suitable stand under the engine.
2. Check:
 - Drive chain slack "a"
Above the seal guard installation bolt.
Out of specification → Adjust.

 **Drive chain slack:**
48–58 mm (1.9–2.3 in)

TIP
Before checking and/or adjusting, rotate the rear wheel through several revolutions and check the slack several times to find the tightest point. Check and/or adjust the drive chain slack with the rear wheel in this "tight chain" position.



3. Adjust:
- Drive chain slack

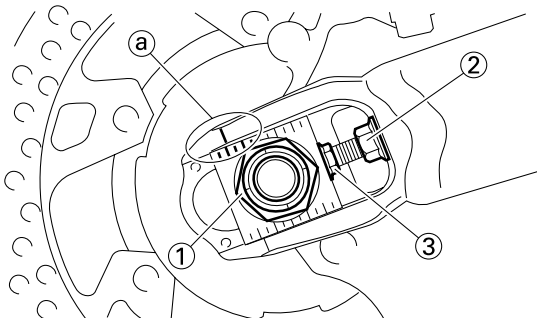


Drive chain slack adjustment steps:

- Loosen the axle nut "1" and locknuts "2".
- Adjust the drive chain slack by turning the adjusters "3".

To tighten → Turn the adjuster "3" counter-clockwise.
To loosen → Turn the adjuster "3" clockwise and push wheel forward.

- Turn each adjuster exactly the same amount to maintain correct axle alignment. (There are marks "a" on each side of the drive chain puller alignment.) **NOTICE: Improper drive chain slack will overload the engine as well as other vital parts of the motorcycle and can lead to chain slippage or breakage. To prevent this from occurring, keep the drive chain slack within the specified limits.**




TIP
Turn the adjuster so that the drive chain is in line with the sprocket, as viewed from the rear.

- Tighten the axle nut while pushing down the drive chain.

 **Axle nut:**
125 Nm (12.5 m•kg, 90 ft•lb)

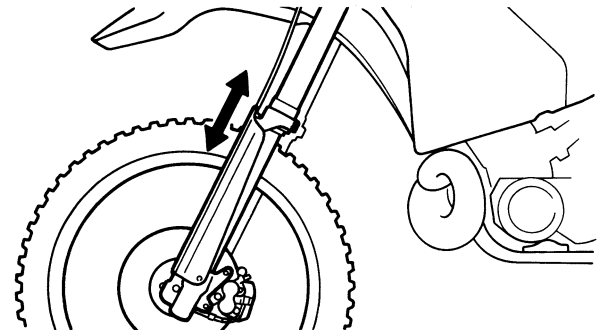
- Tighten the locknuts.

 **Locknut:**
19 Nm (1.9 m•kg, 13 ft•lb)



CHECKING THE FRONT FORK

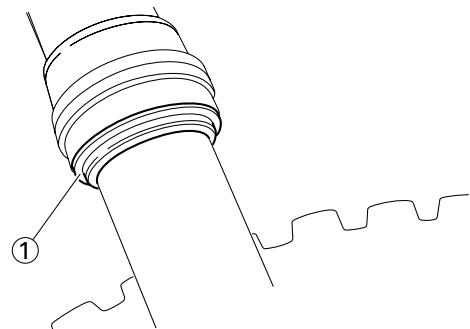
- Inspect:
 - Front fork smooth action
Operate the front brake and stroke the front fork.
Unsmooth action/oil leakage → Repair or replace.



CLEANING THE FRONT FORK OIL SEAL AND DUST SEAL

- Remove:
 - Protector
 - Dust seal "1"

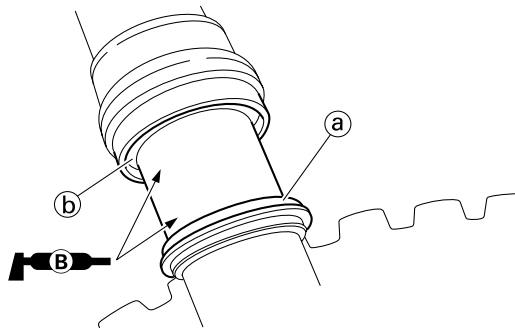
TIP
Use a thin screw driver, and be careful not to damage the inner fork tube and dust seal.



2. Clean:
- Dust seal "a"
 - Oil seal "b"

TIP

- Clean the dust seal and oil seal after every run.
- Apply the lithium soap base grease on the inner tube.




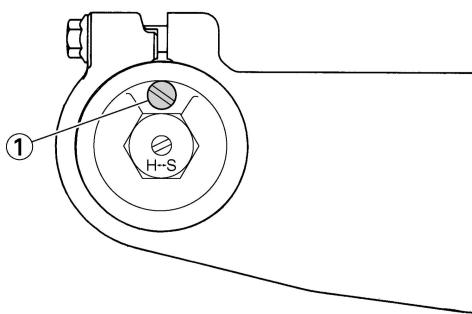
RELIEVING THE FRONT FORK INTERNAL PRESSURE

TIP

If the front fork initial movement feels stiff during a run, relieve the front fork internal pressure.

1. Elevate the front wheel by placing a suitable stand under the engine.
2. Remove the air bleed screw "1" and release the internal pressure from the front fork.
3. Install:
 - Air bleed screw


	Air bleed screw: 1 Nm (0.1 m•kg, 0.7 ft•lb)
---	---

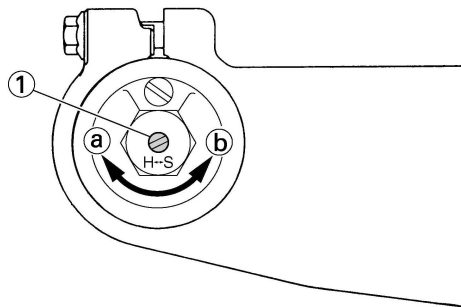


ADJUSTING THE FRONT FORK REBOUND DAMPING FORCE

1. Adjust:
 - Rebound damping force
By turning the adjuster "1".

Stiffer "a" → Increase the rebound damping force. (Turn the adjuster "1" in.)
Softer "b" → Decrease the rebound damping force. (Turn the adjuster "1" out.)

	Extent of adjustment:	
	Maximum	Minimum
	Fully turned in position	20 clicks out (from maximum position)



- **STANDARD POSITION:**
This is the position which is back by the specific number of clicks from the fully turned-in position.

	Standard position: 8 clicks out
---	--

NOTICE

Do not force the adjuster past the minimum or maximum extent of adjustment. The adjuster may be damaged.


⚠ WARNING

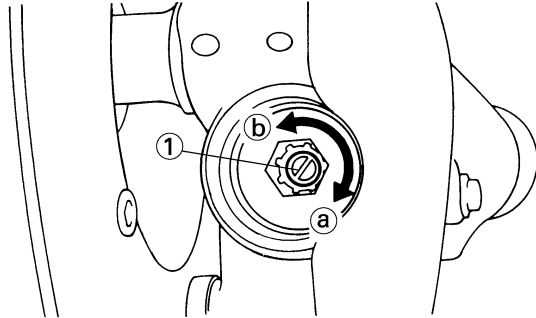
Always adjust each front fork to the same setting. Uneven adjustment can cause poor handling and loss of stability.

ADJUSTING THE FRONT FORK COMPRESSION DAMPING FORCE

1. Remove:
 - Rubber cap
2. Adjust:
 - Compression damping force
By turning the adjuster "1".

Stiffer "a" → Increase the compression damping force. (Turn the adjuster "1" in.)
Softer "b" → Decrease the compression damping force. (Turn the adjuster "1" out.)

	Extent of adjustment:	
	Maximum	Minimum
	Fully turned in position	20 clicks out (from maximum position)



- **STANDARD POSITION:**
This is the position which is back by the specific number of clicks from the fully turned-in position.

	Standard position: 9 clicks out
---	--

NOTICE

Do not force the adjuster past the minimum or maximum extent of adjustment. The adjuster may be damaged.

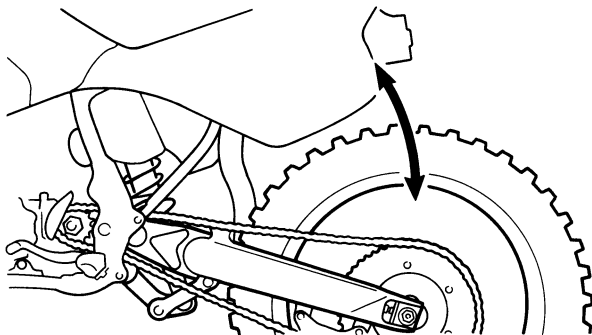
WARNING

Always adjust each front fork to the same setting. Uneven adjustment can cause poor handling and loss of stability.

3. Install:
 - Rubber cap


CHECKING THE REAR SHOCK ABSORBER

1. Inspect:
 - Swingarm smooth action
Abnormal noise/unsmooth action → Grease the pivoting points or repair the pivoting points.
 - Damage/oil leakage → Replace.

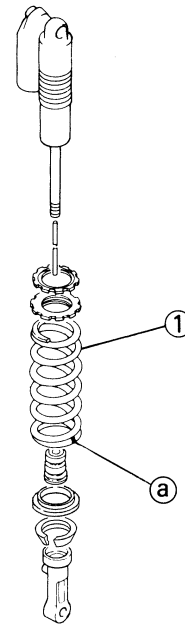


ADJUSTING THE REAR SHOCK ABSORBER SPRING PRELOAD

1. Elevate the rear wheel by placing the suitable stand under the engine.
2. Remove:
 - Rear frame
3. Measure:
 - Spring fitting length

	Standard fitting length:	
I.D. MARK/ Q'TY	Length	
Pink/1	252.5 mm (9.94 in) * 251.5 mm (9.90 in)	

* For EUROPE



TIP

The I.D. mark "a" is marked at the end of the spring.

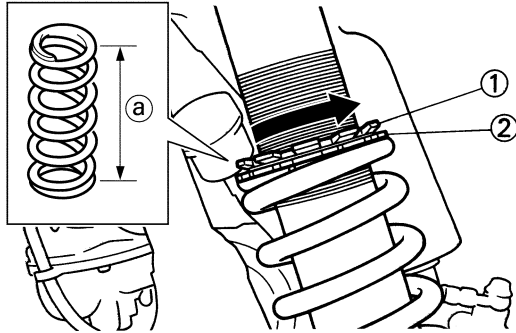
4. Adjust:
 - Spring preload




Adjustment steps:

- a. Loosen the locknut "1".
- b. Loosen the adjuster "2" until there is some clearance between the spring and adjuster.
- c. Measure the spring free length "a".
- d. Turn the adjuster "2".

Stiffer → Increase the spring preload. (Turn the adjuster "2" in.)
Softer → Decrease the spring preload. (Turn the adjuster "2" out.)



 Extent of adjustment:	
Maximum	Minimum
Position in which the spring is turned in 22 mm (0.87 in) from its free length.	Position in which the spring is turned in 1.5 mm (0.06 in) from its free length.


TIP

- Be sure to remove all dirt and mud from around the locknut and adjuster before adjustment.
- The length of the spring (installed) changes 1.5 mm (0.06 in) per turn of the adjuster.

NOTICE

Never attempt to turn the adjuster beyond the maximum or minimum setting.


e. Tighten the locknut.

	Locknut: 30 Nm (3.0 m•kg, 22 ft•lb)
---	---




5. Install:

- Rear frame (upper)

	Rear frame (upper): 38 Nm (3.8 m•kg, 27 ft•lb)
---	--

- Rear frame (lower)


	Rear frame (lower): 32 Nm (3.2 m•kg, 23 ft•lb)
---	--

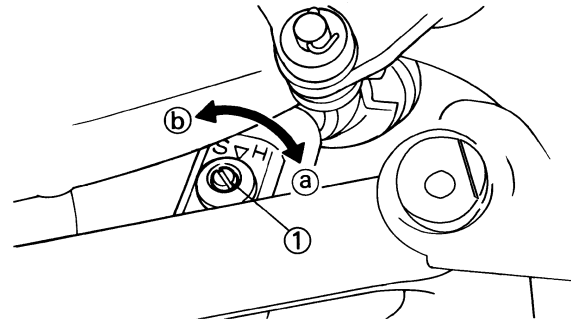
ADJUSTING THE REAR SHOCK ABSORBER REBOUND DAMPING FORCE

1. Adjust:

- Rebound damping force
By turning the adjuster "1".

Stiffer "a" → Increase the rebound damping force. (Turn the adjuster "1" in.)
Softer "b" → Decrease the rebound damping force. (Turn the adjuster "1" out.)

	Extent of adjustment:	
	Maximum	Minimum
	Fully turned in position	20 clicks out (from maximum position)



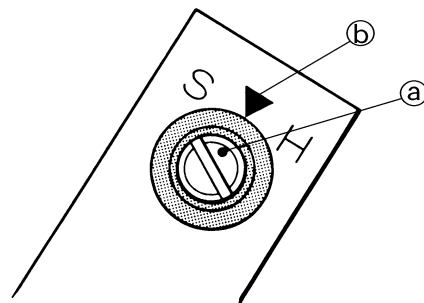
• **STANDARD POSITION:**

This is the position which is back by the specific number of clicks from the fully turned-in position. (Which align the punch mark "a" on the adjuster with the punch mark "b" on the bracket.)

	Standard position: About 11 clicks out
---	--

NOTICE

Do not force the adjuster past the minimum or maximum extent of adjustment. The adjuster may be damaged.




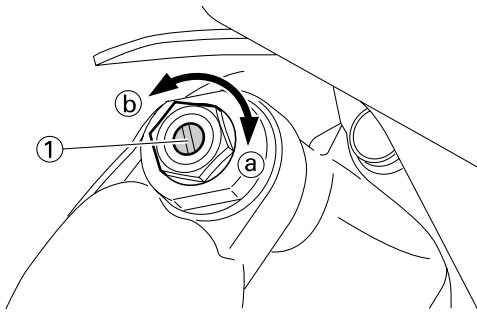
ADJUSTING THE REAR SHOCK ABSORBER LOW COMPRESSION DAMPING FORCE

1. Adjust:

- Low compression damping force
By turning the adjuster "1".

Stiffer "a" → Increase the low compression damping force. (Turn the adjuster "1" in.)
Softer "b" → Decrease the low compression damping force. (Turn the adjuster "1" out.)

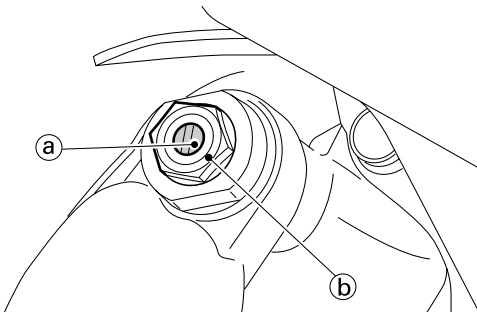
	Extent of adjustment:	
	Maximum	Minimum
	Fully turned in position	20 clicks out (from maximum position)



- **STANDARD POSITION:**
This is the position which is back by the specific number of clicks from the fully turned-in position. (Which align the punch mark "a" on the adjuster with the punch mark "b" on the high compression damping adjuster.)

	Standard position: About 8 clicks out
---	---


NOTICE
Do not force the adjuster past the minimum or maximum extent of adjustment. The adjuster may be damaged.

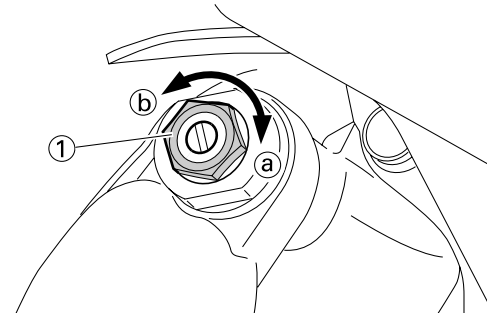


ADJUSTING THE REAR SHOCK ABSORBER HIGH COMPRESSION DAMPING FORCE


1. Adjust:
 - High compression damping force
By turning the adjuster "1".

Stiffer "a" → Increase the high compression damping force. (Turn the adjuster "1" in.)
Softer "b" → Decrease the high compression damping force. (Turn the adjuster "1" out.)

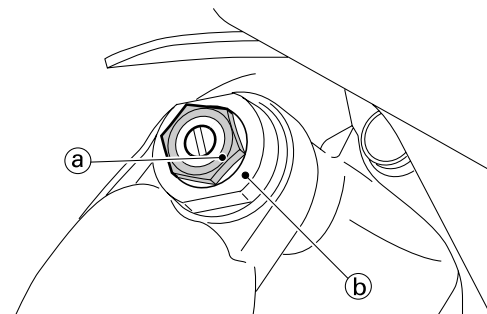
	Extent of adjustment:	
	Maximum	Minimum
	Fully turned in position	2 turns out (from maximum position)



- **STANDARD POSITION:**
This is the position which is back by the specific number of turns from the fully turned-in position. (Which align the punch mark "a" on the adjuster with the punch mark "b" on the adjuster body.)

	Standard position: About 1-1/8 turns out
---	--

NOTICE
Do not force the adjuster past the minimum or maximum extent of adjustment. The adjuster may be damaged.



CHECKING THE TIRE PRESSURE

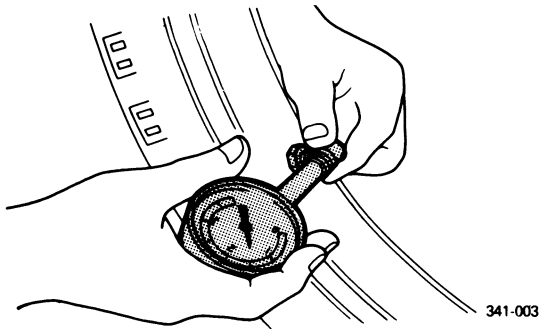
1. Measure:

- Tire pressure
Out of specification → Adjust.

	Standard tire pressure: 100 kPa (1.0 kgf/cm², 15 psi)
---	---

TIP

- Check the tire while it is cold.
- Loose bead stoppers allow the tire to slip off its position on the rim when the tire pressure is low.
- A tilted tire valve stem indicates that the tire slips off its position on the rim.
- If the tire valve stem is found tilted, the tire is considered to be slipping off its position. Correct the tire position.

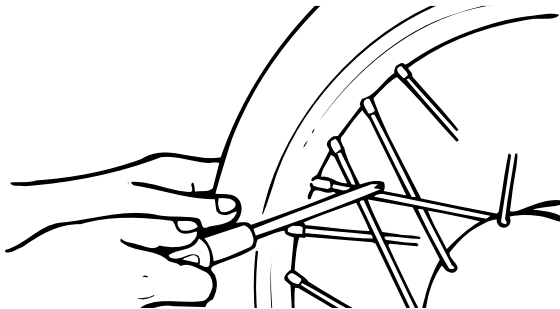


CHECKING AND TIGHTENING THE SPOKES

The following procedure applies to all of the spokes.

1. Check:

- Spokes
Bend/damage → Replace.
Loose spoke → Retighten.
Tap the spokes with a screwdriver.



TIP

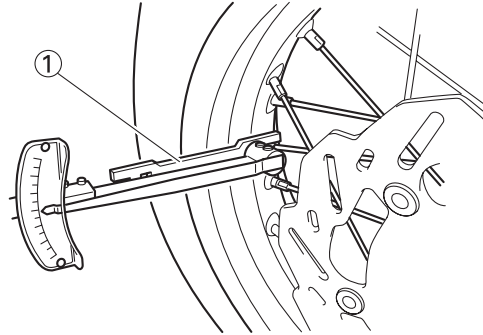
A tight spoke will emit a clear, ringing tone; a loose spoke will sound flat.



2. Tighten:

- Spokes
(with a spoke nipple wrench "1")

TIP

Be sure to retighten these spokes before and after break-in.

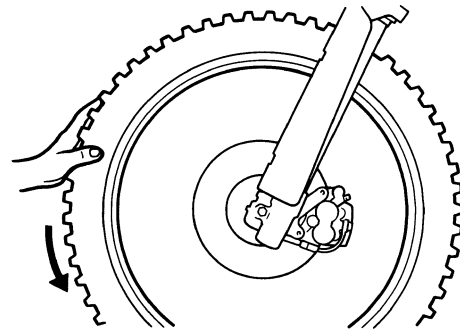


	Spoke nipple wrench: YM-01521/90980-01521
	Spokes: 3 Nm (0.3 m•kg, 2.2 ft•lb)

CHECKING THE WHEELS

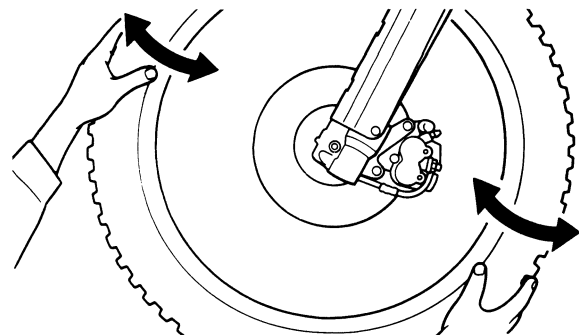
1. Inspect:

- Wheel runout
Elevate the wheel and turn it.
Abnormal runout → Replace.



2. Inspect:

- Bearing free play
Exist play → Replace.

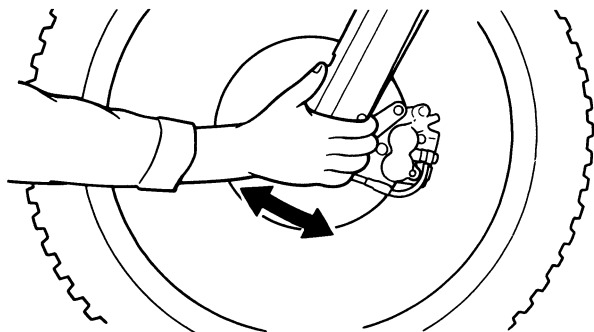


CHECKING AND ADJUSTING THE STEERING HEAD

1. Place a stand under the engine to raise the front wheel off the ground. **WARNING! Securely support the vehicle so that there is no danger of it falling over.**

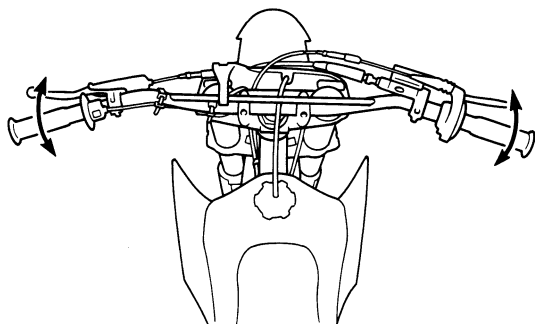
2. Check:

- Steering stem
Grasp the bottom of the forks and gently rock the fork assembly back and forth.
Free play → Adjust steering head.



3. Check:

- Steering smooth action
Turn the handlebar lock to lock.
Unsmooth action → Adjust steering ring nut.




4. Adjust:

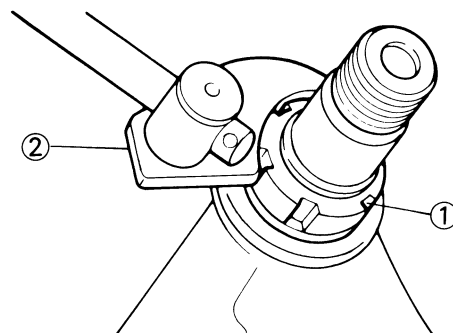
- Steering ring nut



Steering ring nut adjustment steps:

- Remove the headlight.
- Remove the handlebar and upper bracket.
- Loosen the steering ring nut "1" using the steering nut wrench "2".



	Steering nut wrench: YU-33975/90890-01403
---	---

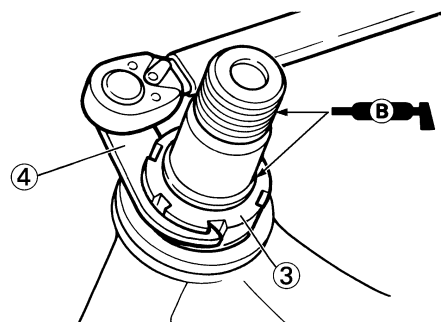


d. Tighten the steering ring nut "3" using steering nut wrench "4".

TIP

- Apply the lithium soap base grease on the thread of the steering stem.
- Set the torque wrench to the steering nut wrench so that they form a right angle.

	Steering nut wrench: YU-33975/90890-01403
	Steering ring nut (initial tightening): 38 Nm (3.8 m•kg, 27 ft•lb)




e. Loosen the steering ring nut one turn.

f. Retighten the steering ring nut using the steering nut wrench.

⚠ WARNING

Avoid over-tightening.

	Steering ring nut (final tightening): 7 Nm (0.7 m•kg, 5.1 ft•lb)
---	--

g. Check the steering stem by turning it lock to lock. If there is any binding, remove the steering stem assembly and inspect the steering bearings.


h. Install the washer "5", upper bracket "6", washer "7", steering stem nut "8", handlebar "9", handlebar upper holder "10" and headlight "11".

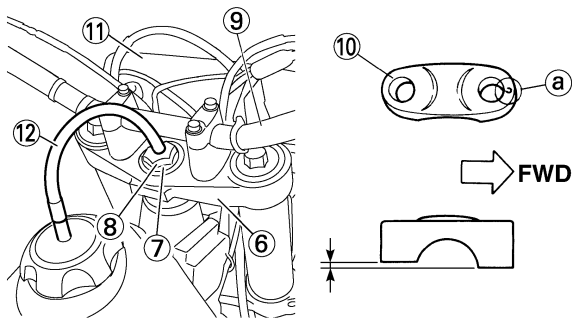
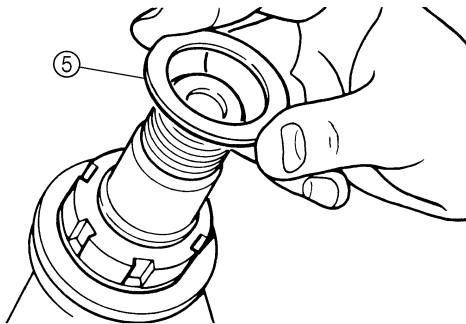
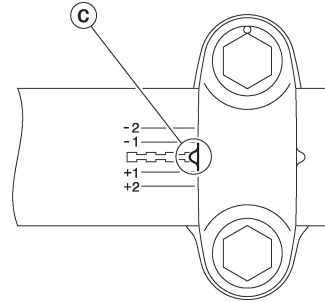
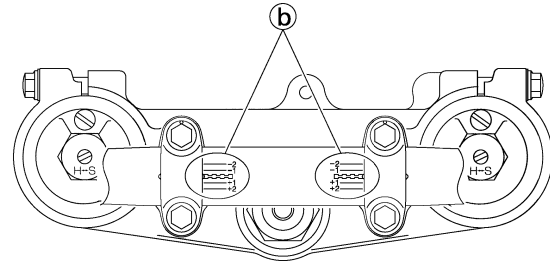
TIP

- The handlebar upper holder should be installed with the punched mark "a" forward.
- Install the handlebar so that the marks "b" are in place on both sides.
- Install the handlebar so that the projection "c" of the handlebar upper holder is positioned at the mark on the handlebar as shown.
- Insert the end of the fuel breather hose "12" into the hole in the steering stem.

NOTICE

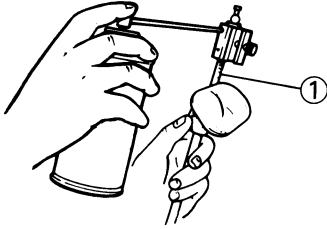
First tighten the bolts on the front side of the handlebar upper holder, and then tighten the bolts on the rear side.

	Steering stem nut:
	145 Nm (14.5 m•kg, 105 ft•lb)
	Handlebar upper holder:
	28 Nm (2.8 m•kg, 20 ft•lb)
	Pinch bolt (upper bracket):
21 Nm (2.1 m•kg, 15 ft•lb)	
Headlight:	
7 Nm (0.7 m•kg, 5.1 ft•lb)	

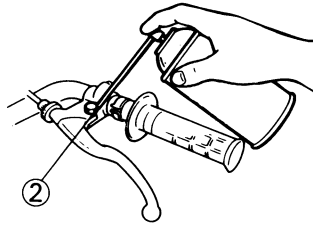


LUBRICATION

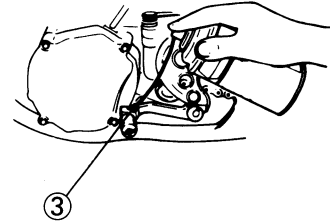
A



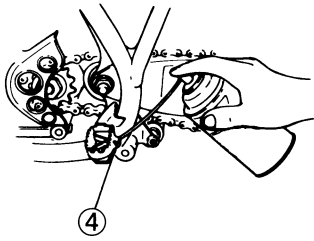
A



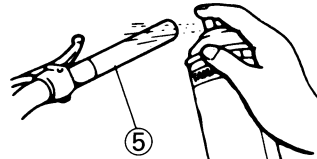
A



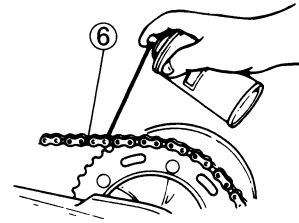
A



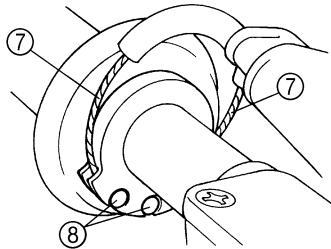
A



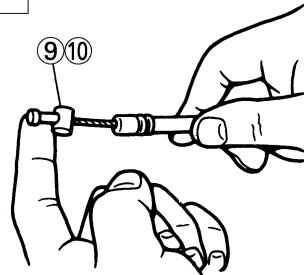
B



C



C



To ensure smooth operation of all components, lubricate your machine during setup, after break-in, and after every ride.

1. All control cable
 2. Clutch lever pivot
 3. Shift pedal pivot
 4. Footrest pivot
 5. Throttle-to-handlebar contact
 6. Drive chain
 7. Tube guide cable winding portion
 8. Throttle cable end
 9. Clutch cable end
 10. Hot starter cable end
- A. Use Yamaha cable lube or equivalent on these areas.
 - B. Use SAE 10W-40 motor oil or suitable chain lubricants.
 - C. Lubricate the following areas with high quality, lightweight lithium-soap base grease.

 **WARNING**

Wipe off any excess grease, and avoid getting grease on the brake discs.

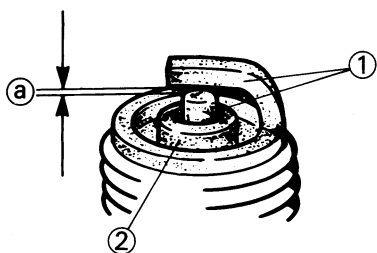
ELECTRICAL

CHECKING THE SPARK PLUG


1. Remove:
 - Spark plug
2. Inspect:
 - Electrode "1"
Wear/damage → Replace.
 - Insulator color "2"
Normal condition is a medium to light tan color.
Distinctly different color → Check the engine condition.

TIP


When the engine runs for many hours at low speeds, the spark plug insulator will become sooty, even if the engine and carburetor are in good operating condition.



3. Measure:
 - Plug gap "a"
Use a wire gauge or thickness gauge.
Out of specification → Regap.

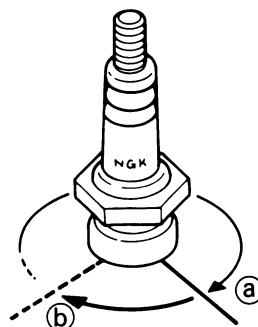
	Spark plug gap: 0.7–0.8 mm (0.028–0.031 in)
---	--

4. Clean the plug with a spark plug cleaner if necessary.
5. Tighten:
 - Spark plug

	Spark plug: 13 Nm (1.3 m•kg, 9.4 ft•lb)
---	--

TIP

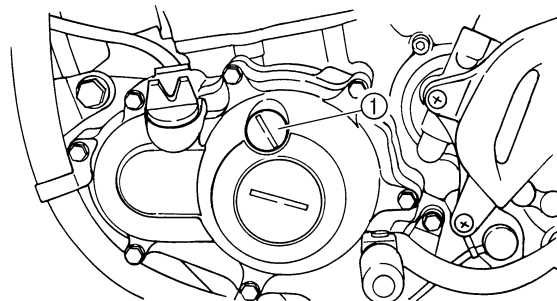
- Before installing a spark plug, clean the gasket surface and plug surface.
- Finger-tighten "a" the spark plug before torquing to specification "b".




377-004

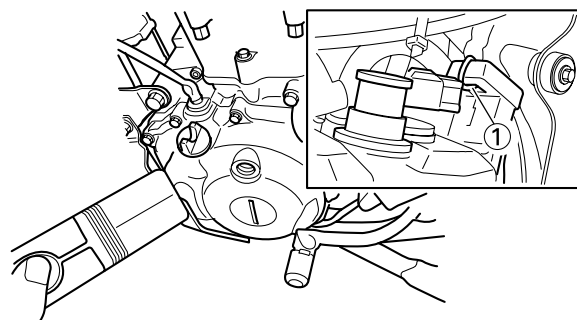
CHECKING THE IGNITION TIMING

1. Remove:
 - Timing mark accessing screw "1"

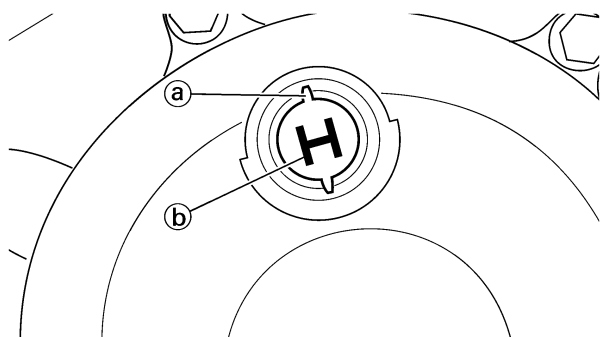


2. Attach:
 - Timing light
 - Digital tachometer
 To the ignition coil lead (orange lead "1").

	Timing light: YM-33277-A/90890-03141
---	---



3. Adjust:
 - Engine idling speed
Refer to "ADJUSTING THE ENGINE IDLING SPEED" section.
4. Check:
 - Ignition timing
Visually check the stationary pointer "a" is within the firing range "b" on the rotor.
Incorrect firing range → Check rotor and pick-up assembly.



5. Install:
- Timing mark accessing screw

CHECKING AND CHARGING THE BATTERY

WARNING

Batteries generate explosive hydrogen gas and contain electrolyte which is made of poisonous and highly caustic sulfuric acid. Therefore, always follow these preventive measures:

- Wear protective eye gear when handling or working near batteries.
- Charge batteries in a well-ventilated area.
- Keep batteries away from fire, sparks or open flames (e.g., welding equipment, lighted cigarettes).
- DO NOT SMOKE when charging or handling batteries.
- KEEP BATTERIES AND ELECTROLYTE OUT OF REACH OF CHILDREN.
- Avoid bodily contact with electrolyte as it can cause severe burns or permanent eye injury.

FIRST AID IN CASE OF BODILY CONTACT: EXTERNAL

- Skin — Wash with water.
- Eyes — Flush with water for 15 minutes and get immediate medical attention.

INTERNAL

- Drink large quantities of water or milk followed with milk of magnesia, beaten egg or vegetable oil. Get immediate medical attention.

NOTICE

Charging time, charging amperage and charging voltage for an MF battery are different from those of conventional batteries. The MF battery should be charged as explained in the charging method illustrations. If the battery is overcharged, the electrolyte level will drop considerably. Therefore, take special care when charging the battery.

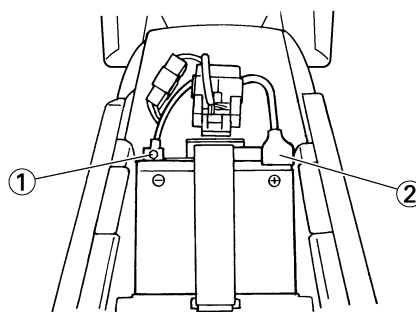
TIP

Since MF batteries are sealed, it is not possible to check the charge state of the battery by measuring the specific gravity of the electrolyte. Therefore, the charge of the battery has to be checked by measuring the voltage at the battery terminals.

1. Remove:
 - Seat
2. Disconnect:
 - Battery leads (from the battery terminals)

NOTICE

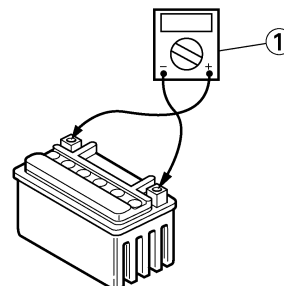
First, disconnect the negative battery lead "1", and then the positive battery lead "2".



3. Remove:
 - Battery band
 - Battery
4. Measure:
 - Battery charge

Measurement steps:

- a. Connect a pocket tester "1" to the battery terminals.



Tester positive probe → battery positive terminal
 Tester negative probe → battery negative terminal

TIP

- The charge state of an MF battery can be checked by measuring its open-circuit voltage (i.e., the voltage when the positive terminal is disconnected).
- No charging is necessary when the open-circuit voltage equals or exceeds 12.8 V.

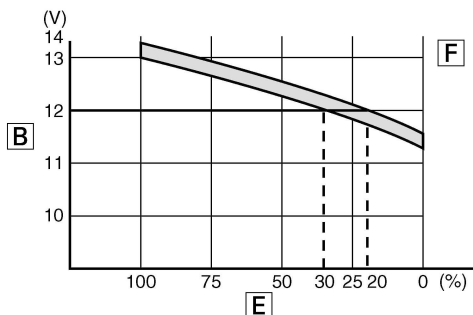
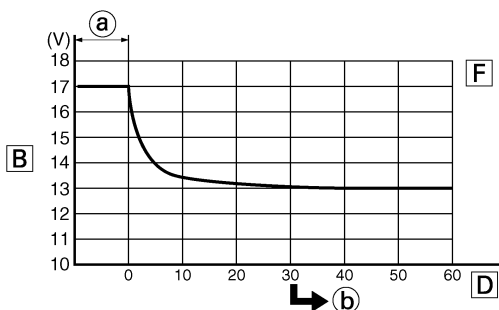
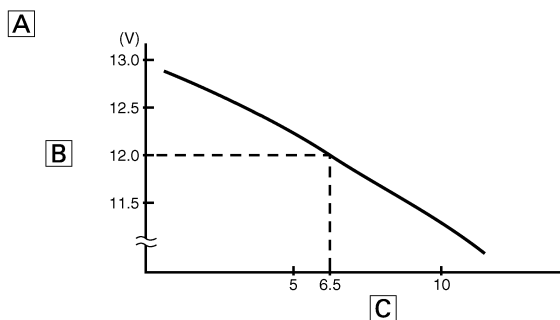
b. Check the charge of the battery, as shown in the charts and the following example.

Example

Open-circuit voltage = 12.0 V

Charging time = 6.5 hours

Charge of the battery = 20–30%



- A. Relationship between the open-circuit voltage and the charging time at 20 °C (68 °F) (These values vary with the temperature, the condition of the battery plates, and the electrolyte level.)
- B. Open-circuit voltage
- C. Charging time (hours)
- D. Time (minutes)

- E. Charging condition of the battery
- F. Ambient temperature 20 °C (68 °F)
- Charging
 - Check the open-circuit voltage

5. Charge:

- Battery (refer to the appropriate charging method illustration)

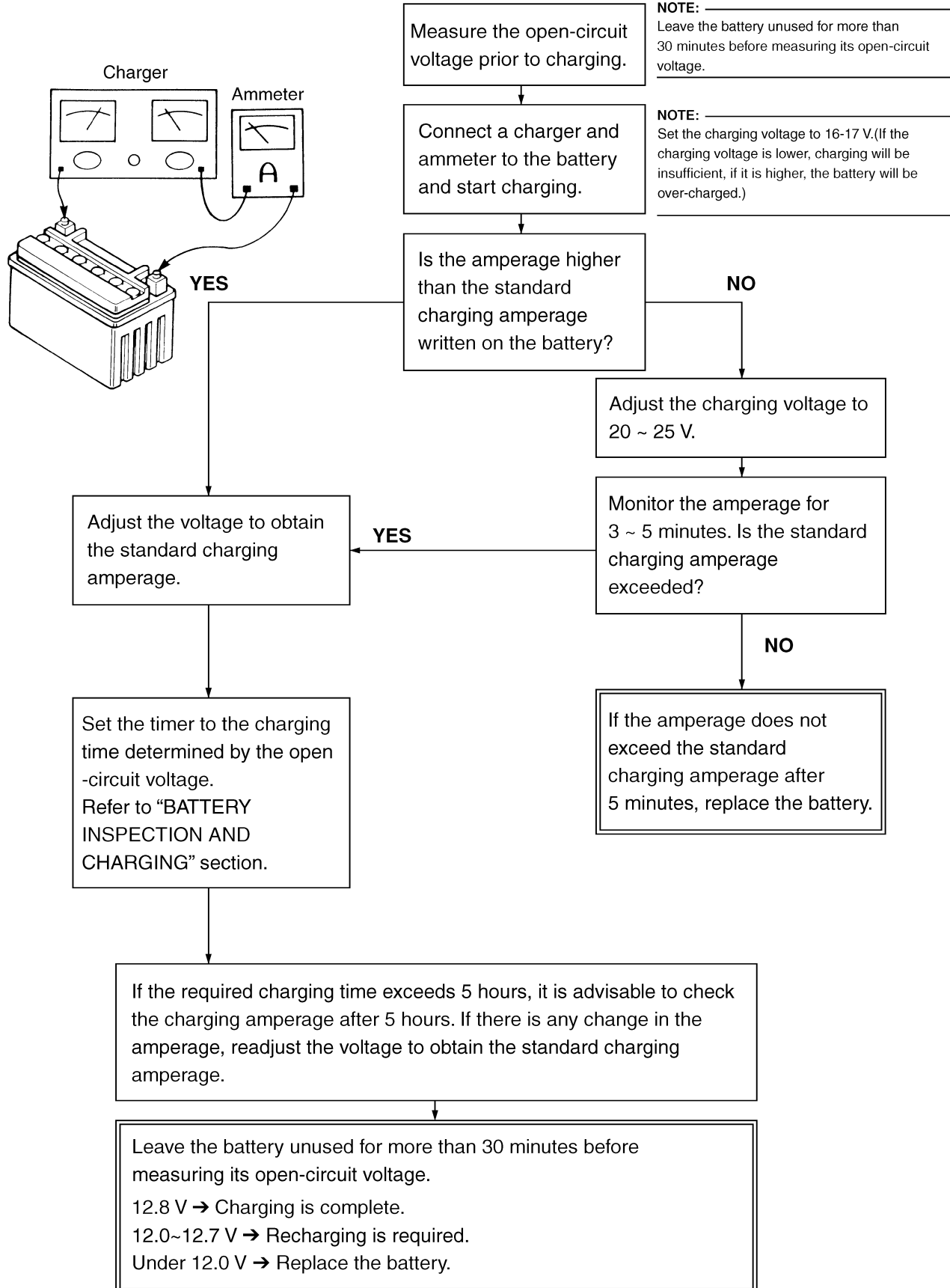
⚠ WARNING

Do not quick charge a battery.

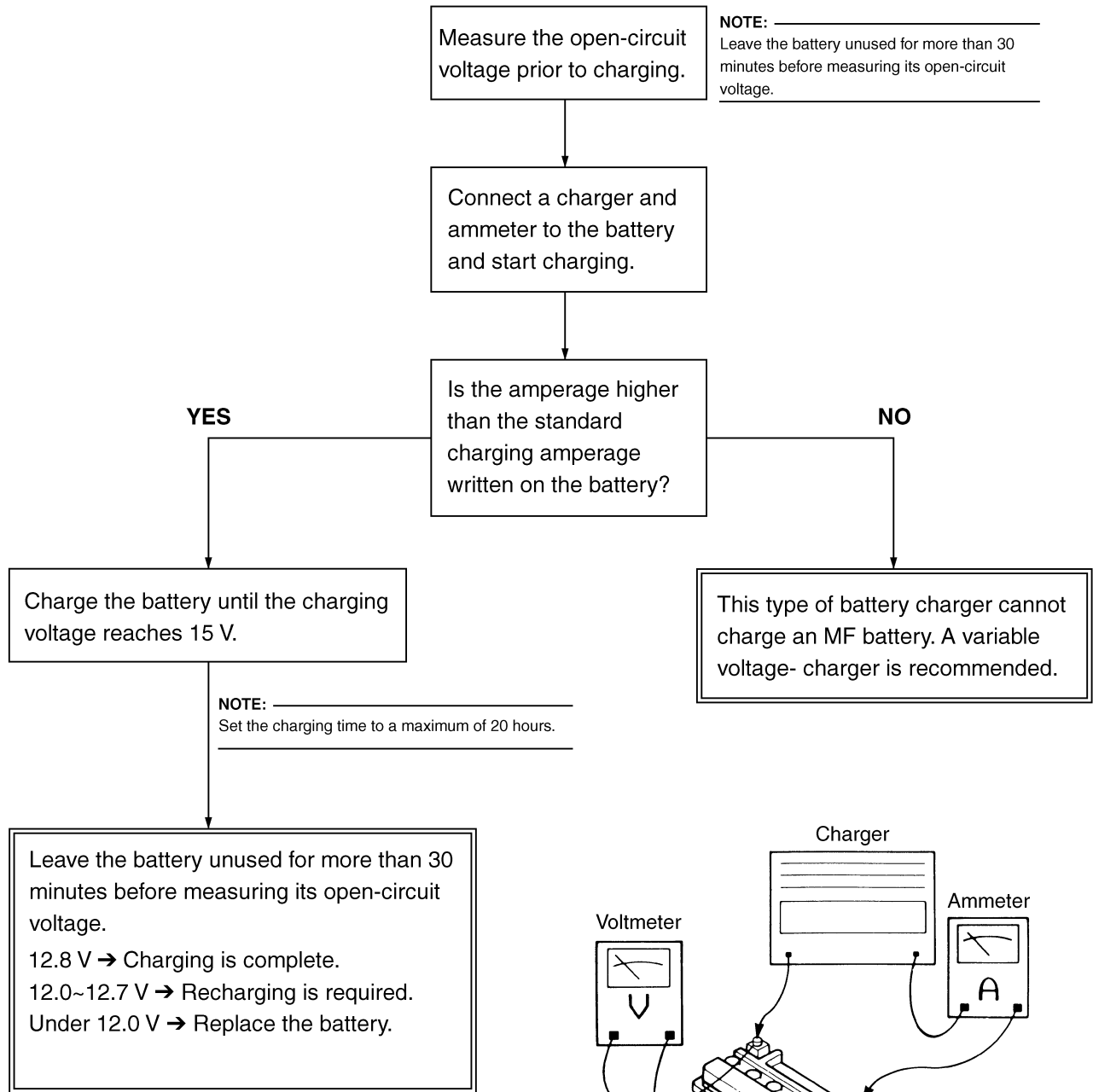
NOTICE

- Never remove the MF battery sealing caps.
- Do not use a high-rate battery charger since it forces a high-amperage current into the battery quickly and can cause battery overheating and battery plate damage.
- If it is impossible to regulate the charging current on the battery charger, be careful not to overcharge the battery.
- When charging a battery, be sure to remove it from the machine. (If charging has to be done with the battery mounted on the machine, disconnect the negative battery lead from the battery terminal.)
- To reduce the chance of sparks, do not plug in the battery charger until the battery charger leads are connected to the battery.
- Before removing the battery charger lead clips from the battery terminals, be sure to turn off the battery charger.
- Make sure the battery charger lead clips are in full contact with the battery terminal and that they are not shorted. A corroded battery charger lead clip may generate heat in the contact area and a weak clip spring may cause sparks.
- If the battery becomes hot to the touch at any time during the charging process, disconnect the battery charger and let the battery cool before reconnecting it. Hot batteries can explode!
- As shown in the following illustration, the open-circuit voltage of an MF battery stabilizes about 30 minutes after charging has been completed. Therefore, wait 30 minutes after charging is completed before measuring the open-circuit voltage.

Charging method using a variable voltage charger



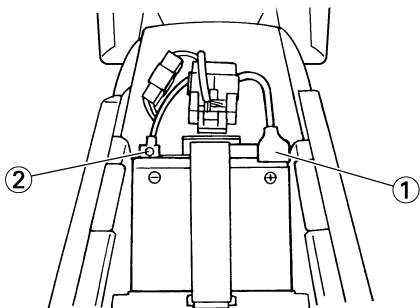
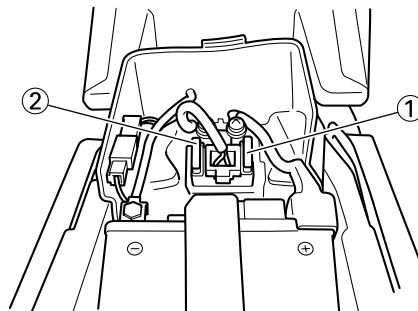
Charging method using a constant voltage charger



6. Install:
 - Battery
 - Battery band
7. Connect:
 - Battery leads
(to the battery terminals)

NOTICE

First, connect the positive lead "1", then the negative lead "2".



8. Check:
 - Battery terminals
Dirt → Clean with a wire brush.
Loose connection → Connect properly.
9. Lubricate:
 - Battery terminal

	Recommended lubricant: Lithium soap base grease
--	---

10. Install:
 - Seat

CHECKING THE FUSE

NOTICE

To avoid a short circuit, always set the main switch to "OFF" when checking or replacing a fuse.

1. Remove:
 - Seat
 - Fuse cover
2. Check:
 - Continuity

Checking steps:

- a. Remove the fuse "1".
- b. Connect the pocket tester to the fuse and check the continuity.

TIP

Set the pocket tester selector to " $\Omega \times 1$ ".

	Pocket tester: YU-3112-C/90890-03112
--	--

2. Reserve fuse
- c. If the pocket tester indicates " ∞ ", replace the fuse.



3. Replace:
 - Blown fuse



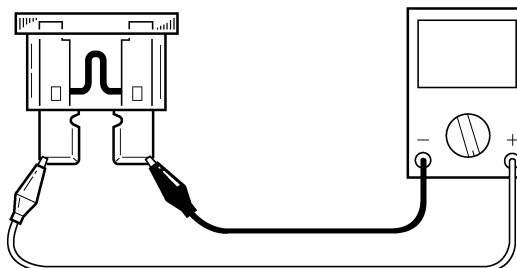
Replacement steps:

- a. Set the main switch to "OFF".
- b. Install a new fuse of the correct amperage.
- c. Set on the switches to verify if the electrical circuit is operational.
- d. If the fuse immediately blows again, check the electrical circuit.

Items	Amperage rating	Q'ty
Main fuse	10 A	1

WARNING

Never use a fuse with an amperage rating other than that specified. Improvising or using a fuse with the wrong amperage rating may cause extensive damage to the electrical system, cause the starting and ignition systems to malfunction and could possibly cause a fire.



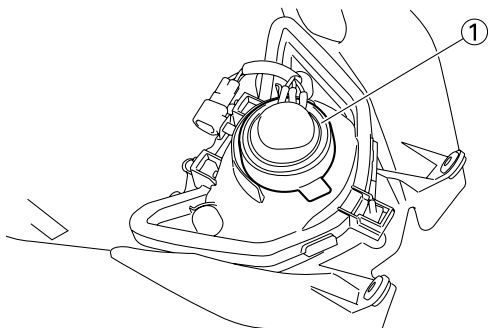
18030103



4. Install:
 - Fuse cover
 - Seat

REPLACING THE HEADLIGHT BULBS

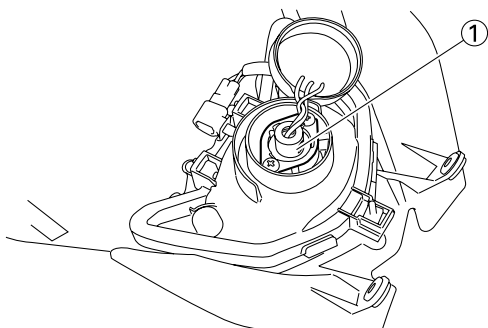
1. Remove:
 - Headlight
 - Refer to "SEAT, FUEL TANK AND SIDE COVERS" section.
2. Remove:
 - Headlight bulb holder cover "1"



3. Remove:
 - Headlight bulb holder "1"

TIP

Remove the headlight bulb holder by pushing it in and turning it counterclockwise.



4. Remove:
 - Headlight bulb

⚠ WARNING

Since the headlight bulb gets extremely hot, keep flammable products and your hands away from the bulb unit it has cooled down.

5. Install:
 - Headlight bulb **New**

NOTICE

Avoid touching the glass part of the headlight bulb to keep it free from oil, otherwise the transparency of the glass, the life of the bulb and the luminous flux will be adversely affected. If the headlight bulb gets soiled, thoroughly clean it with a cloth moistened with alcohol or lacquer thinner.

6. Install:
 - Headlight bulb holder

7. Install:
 - Headlight bulb holder cover
8. Install:
 - Headlight



Headlight:
7 Nm (0.7 m•kg, 5.1 ft•lb)

Refer to "SEAT, FUEL TANK AND SIDE COVERS" section.

ADJUSTING THE HEADLIGHT BEAMS

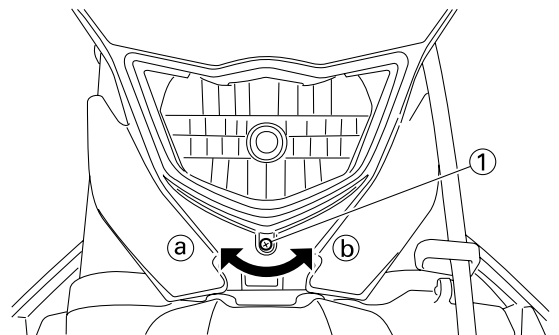
1. Adjust:
 - Headlight beam (vertically)



Adjusting steps:

- a. Turn the adjusting screw "1" in direction "a" or "b".

Direction "a"	Headlight beam is raised.
Direction "b"	Headlight beam is lowered.



TUNING CHASSIS

SELECTION OF THE SECONDARY REDUCTION RATIO (SPROCKET)

Secondary reduction ratio = Number of rear wheel sprocket teeth/Number of drive sprocket teeth

Standard secondary reduction ratio	50/13 (3.846)
---	----------------------

<Requirement for selection of secondary gear reduction ratio>

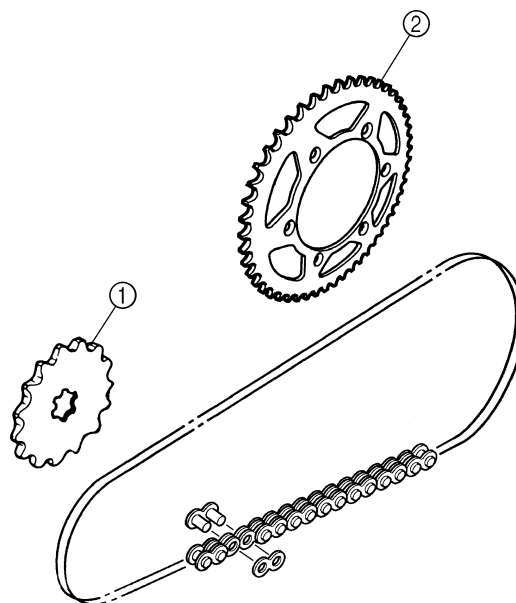
- It is generally said that the secondary gear ratio should be reduced for a longer straight portion of a speed course and should be increased for a course with many corners. Actually, however, as the speed depends on the ground condition of the day of the ride, be sure to run through the circuit to set the machine suitable for the entire course.
- In actuality, it is very difficult to achieve settings suitable for the entire course and some settings may be sacrificed. Thus, the settings should be matched to the portion of the course that has the greatest effect on the ride result. In such a case, run through the entire course while making notes of lap times to find the best balance; then, determine the secondary reduction ratio.
- If a course has a long straight portion where a machine can run at maximum speed, the machine is generally set such that it can develop its maximum revolutions toward the end of the straight line, with care taken to avoid the engine over-revving.

TIP

Riding technique varies from rider to rider and the performance of a machine also vary from machine to machine. Therefore, do not imitate other rider's settings from the beginning but choose your own setting according to the level of your riding technique.

DRIVE AND REAR WHEEL SPROCKETS SETTING PARTS

Part name	Size	Part number
Drive sprocket "1" (STD)	13T	5TJ-17460-00
Part name	Size	Part number
Rear wheel sprocket "2"	48T	5GS-25448-50
(STD)	50T	5TJ-25450-80
	52T	5TJ-25452-80



TIRE PRESSURE

Tire pressure should be adjust to suit the road surface condition of the circuit.



Standard tire pressure:
100 kPa (1.0 kgf/cm², 15 psi)

- Under a rainy, muddy, sandy, or slippery condition, the tire pressure should be lower for a larger area of contact with the road surface.



Extent of adjustment:
60–80 kPa (0.6–0.8 kgf/cm², 9.0–12 psi)

- Under a stony or hard road condition, the tire pressure should be higher to prevent a flat tire.



Extent of adjustment:
100–120 kPa (1.0–1.2 kgf/cm², 15–18 psi)

FRONT FORK SETTING

The front fork setting should be made depending on the rider's feeling of an actual run and the circuit conditions.

The front fork setting includes the following three factors:

1. Setting of air spring characteristics
 - Change the fork oil level.
2. Setting of spring preload
 - Change the spring.
 - Install the adjustment washer.
3. Setting of damping force
 - Change the compression damping.
 - Change the rebound damping.

The spring acts on the load and the damping force acts on the cushion travel speed.

CHANGE IN LEVEL AND CHARACTERISTICS OF FORK OIL

Damping characteristic near the final stroke can be changed by changing the fork oil amount.

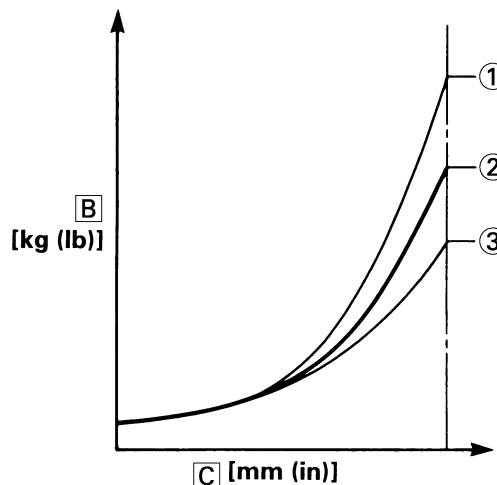
NOTICE

Adjust the oil level in 5 mm (0.2 in) increments or decrements. Too low oil level causes the front fork to produce a noise at full rebound or the rider to feel some pressure on his hands or body. Alternatively, too high oil level will develop unexpectedly early oil lock with the consequent shorter front fork travel and deteriorated performance and characteristics. Therefore, adjust the front fork within the specified range.



Standard oil level:
132 mm (5.20 in)
Extent of adjustment:
95–150 mm (3.74–5.91 in)
From top of outer tube with inner tube and damper rod fully compressed without spring.

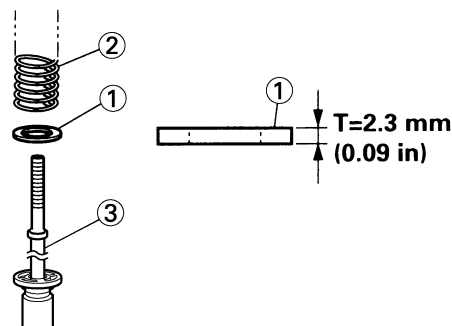
A



- A. Air spring characteristics in relation to oil level change
B. Load
C. Stroke
1. Max. oil level
 2. Standard oil level
 3. Min. oil level

ADJUSTING THE SPRING PRELOAD

The spring preload is adjusted by installing the adjustment washer "1" between the fork spring "2" and damper rod "3".




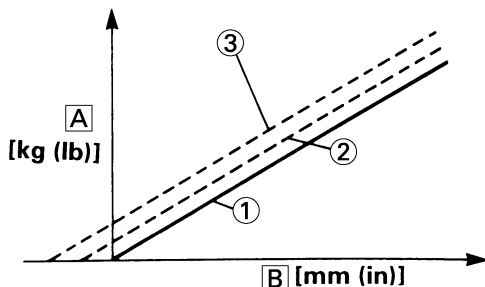
NOTICE

Do not install three or more adjustment washers for each front fork.

WARNING

Always adjust each front fork to the same setting. Uneven adjustment can cause poor handling and loss of stability.

	Standard washer quantity: Zero adjustment washers
	Extent of adjustment: Zero–2 adjustment washers



- A. Load
B. Fork stroke
- Without adjustment washer (standard)
 - 1 adjustment washer
 - 2 adjustment washers

SETTING OF SPRING AFTER REPLACEMENT

As the front fork setting can be easily affected by rear suspension, take care so that the machine front and rear are balanced (in position, etc.) when setting the front fork.

- Use of soft spring
 - Change the rebound damping.
Turn out one or two clicks.
 - Change the compression damping.
Turn in one or two clicks.

TIP

Generally a soft spring gives a soft riding feeling. Rebound damping tends to become stronger and the front fork may sink deeply over a series of gaps.

- Use of stiff spring
 - Change the rebound damping.
Turn in one or two clicks.
 - Change the compression damping.
Turn out one or two clicks.

TIP

Generally a stiff spring gives a stiff riding feeling. Rebound damping tends to become weaker, resulting in lack of a sense of contact with the road surface or in a vibrating handlebar.

FRONT FORK SETTING PARTS

- Adjustment washer "1"

TYPE (thickness)	PART NUMBER
T = 2.3 mm (0.09 in)	5XE-23364-00

- Front fork spring "2"

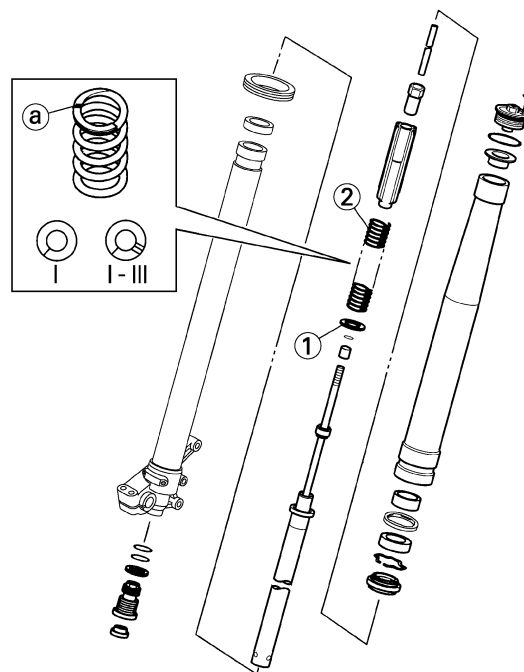
TYPE	SPRING RATE	SPRING PART NUMBER	I.D. MARK (slits)
SOFT	0.408	5TJ-23141-00	
	0.418	5TJ-23141-10	
	0.428	5TJ-23141-20	
	0.438	5TJ-23141-30	
	0.449	5TJ-23141-40	
STD	0.459	5TJ-23141-L0	—
STIFF	0.469	5TJ-23141-60	-

TIP

The I.D. mark (slits) "a" is proved on the end of the spring.

NOTICE

When using a spring with a spring rate of 0.469 kg/mm, do not install two or more adjustment washers for each front fork.



REAR SUSPENSION SETTING

The rear suspension setting should be made depending on the rider's feeling of an actual run and the circuit conditions.

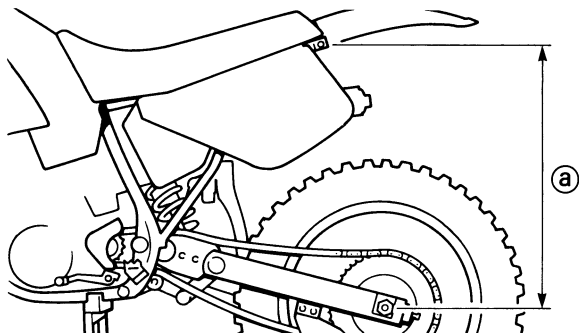
The rear suspension setting includes the following two factors:

- Setting of spring preload
 - Change the set length of the spring.
 - Change the spring.

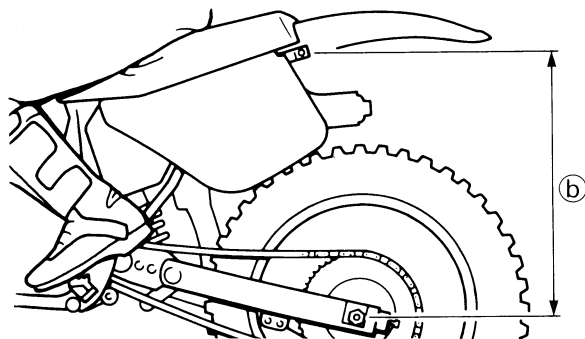
2. Setting of damping force
 - Change the rebound damping.
 - Change the compression damping.

CHOOSING SET LENGTH

1. Place a stand or block under the engine to put the rear wheel above the floor, and measure the length "a" between the rear wheel axle center and the rear fender holding bolt.



2. Remove the stand or block from the engine and with a rider astride the seat, measure the sunken length "b" between the rear wheel axle center and the rear fender holding bolt.



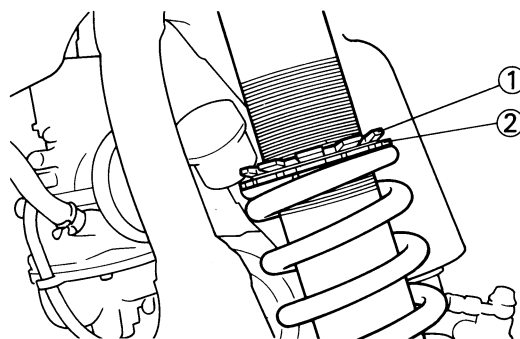
3. Loosen the locknut "1" and make adjustment by turning the spring adjuster "2" to achieve the standard figure from the subtraction of the length "b" from the length "a".



Standard figure:
90–100 mm (3.5–3.9 in)

TIP

- If the machine is new and after it is broken in, the same set length of the spring may change because of the initial fatigue, etc. of the spring. Therefore, be sure to make reevaluation.
- If the standard figure cannot be achieved by adjusting the spring adjuster and changing the spring set length, replace the spring with an optional one and make readjustment.



SETTING OF SPRING AFTER REPLACEMENT

After replacement, be sure to adjust the spring to the set length [sunken length 90–100 mm (3.5–3.9 in)] and set it.

1. Use of soft spring
 - Set the soft spring for less rebound damping to compensate for its less spring load. Run with the rebound damping adjuster one or two clicks on the softer side and readjust it to suit your preference.
2. Use of stiff spring
 - Set the soft spring for more rebound damping to compensate for its greater spring load. Run with the rebound damping adjuster one or two clicks on the stiffer side and readjust it to suit your preference.

TIP

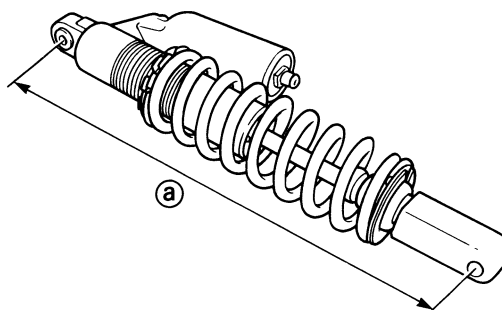
Adjusting the rebound damping will be followed more or less by a change in the compression damping. For correction, turn the low compression damping adjuster on the softer side.

WARNING

When using a rear shock absorber other than currently installed, use the one whose overall length "a" does not exceed the standard as it may result in faulty performance. Never use one whose overall length is greater than standard.



Length "a" of standard shock:
488.5 mm (19.23 in)



REAR SHOCK ABSORBER SETTING PARTS

- Rear shock spring "1"

TYPE	SPRING RATE	SPRING PART NUMBER (-22212-)	I.D. MARK/ Q'TY
SOFT	4.3	5UN-00	Brown/1
	4.5	5UN-10	Green/1
	4.7	5UN-20	Red/1
	4.9	5UN-30	Black/1
	5.1	5UN-40	Blue/1
	5.3	5UN-50	Yellow/1
STD	5.5	5UN-60	Pink/1
STIFF	5.7	5UN-70	White/1

TIP

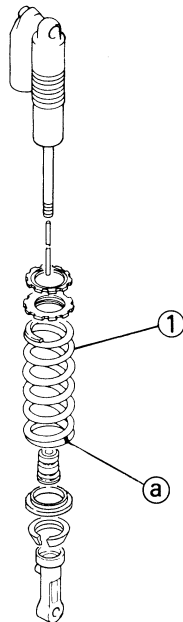
- The I.D. mark "a" is marked at the end of the spring.
- Spring specification varies according to the color and quantity of I.D. marks.

- Extent of adjustment (spring preload)

SPRING PART NUMBER (-22212-)	Maximum	Minimum
5UN-00 5UN-10 5UN-20 5UN-30	Position in which the spring is turned in 20 mm (0.79 in) from its free length.	Position in which the spring is turned in 1.5 mm (0.06 in) from its free length.
5UN-40 5UN-50 5UN-60 5UN-70	Position in which the spring is turned in 22 mm (0.87 in) from its free length.	

TIP

For the spring preload adjustment, refer to "ADJUSTING THE REAR SHOCK ABSORBER SPRING PRELOAD" in the CHAPTER 3.



SUSPENSION SETTING (FRONT FORK)

TIP

- If any of the following symptoms is experienced with the standard position as the base, make resetting by reference to the adjustment procedure given in the same chart.
- Before any change, set the rear shock absorber sunken length to the standard figure 90–100 mm (3.5–3.9 in).

Symptom	Section				Check	Adjust
	Jump	Large gap	Medium gap	Small gap		
Stiff over entire range	○	○	○		Compression damping Oil level (oil amount) Spring	Turn adjuster counterclockwise (about 2 clicks) to decrease damping. Decrease oil level by about 5–10 mm (0.2–0.4 in). Replace with soft spring.
Unsmooth movement over entire range	○	○	○	○	Outer tube Inner tube Under bracket tightening torque	Check for any bends, dents, and other noticeable scars, etc. If any, replace affected parts. Retighten to specified torque.
Poor initial movement				○	Rebound damping Oil seal	Turn adjuster counterclockwise (about 2 clicks) to decrease damping. Apply grease in oil seal wall.
Soft over entire range, bottoming out	○	○			Compression damping Oil level (oil amount) Spring	Turn adjuster clockwise (about 2 clicks) to increase damping. Increase oil level by about 5–10 mm (0.2–0.4 in). Replace with stiff spring.
Stiff toward stroke end	○				Oil level (oil amount)	Decrease oil level by about 5 mm (0.2 in).
Soft toward stroke end, bottoming out	○				Oil level (oil amount)	Increase oil level by about 5 mm (0.2 in).
Stiff initial movement	○	○	○	○	Compression damping	Turn adjuster counterclockwise (about 2 clicks) to decrease damping.
Low front, tending to lower front posture			○	○	Compression damping Rebound damping Balance with rear end Oil level (oil amount)	Turn adjuster clockwise (about 2 clicks) to increase damping. Turn adjuster counterclockwise (about 2 clicks) to decrease damping. Set sunken length for 95–100 mm (3.7–3.9 in) when one passenger is astride seat (lower rear posture). Increase oil level by about 5 mm (0.2 in).
			○	○	Compression damping Balance with rear end Spring Oil level (oil amount)	Turn adjuster counterclockwise (about 2 clicks) to decrease damping. Set sunken length for 90–95 mm (3.5–3.7 in) when one passenger is astride seat (upper rear posture). Replace with soft spring. Decrease oil level by about 5–10 mm (0.2–0.4 in).

SUSPENSION SETTING (REAR SHOCK ABSORBER)

TIP

- If any of the following symptoms is experienced with the standard position as the base, make resetting by reference to the adjustment procedure given in the same chart.
- Adjust the rebound damping in 2-click increments or decrements.
- Adjust the low compression damping in 1-click increments or decrements.
- Adjust the high compression damping in 1/6 turn increments or decrements.

Symptom	Section				Check	Adjust
	Jump	Large gap	Medium gap	Small gap		
Stiff, tending to sink			○	○	Rebound damping Spring set length	Turn adjuster counterclockwise (about 2 clicks) to decrease damping. Set sunken length for 90–100 mm (3.5–3.9 in) when one passenger is astride seat.
Spongy and unstable			○	○	Rebound damping Low compression damping Spring	Turn adjuster clockwise (about 2 clicks) to increase damping. Turn adjuster clockwise (about 1 click) to increase damping. Replace with stiff spring.
Heavy and dragging			○	○	Rebound damping Spring	Turn adjuster counterclockwise (about 2 clicks) to decrease damping. Replace with soft spring.
Poor road gripping				○	Rebound damping Low compression damping High compression damping Spring set length Spring	Turn adjuster counterclockwise (about 2 clicks) to decrease damping. Turn adjuster clockwise (about 1 clicks) to increase damping. Turn adjuster clockwise (about 1/6 turn) to increase damping. Set sunken length for 90–100 mm (3.5–3.9 in) when one passenger is astride seat. Replace with soft spring.
Bottoming out	○	○			High compression damping Spring set length Spring	Turn adjuster clockwise (about 1/6 turn) to increase damping. Set sunken length for 90–100 mm (3.5–3.9 in) when one passenger in astride seat. Replace with stiff spring.
Bouncing	○	○			Rebound damping Spring	Turn adjuster clockwise (about 2 clicks) to increase damping. Replace with soft spring.
Stiff travel	○	○			High compression damping Spring set length Spring	Turn adjuster counterclockwise (about 1/6 turn) to decrease damping. Set sunken length for 90–100 mm (3.5–3.9 in) when one passenger is astride seat. Replace with soft spring.

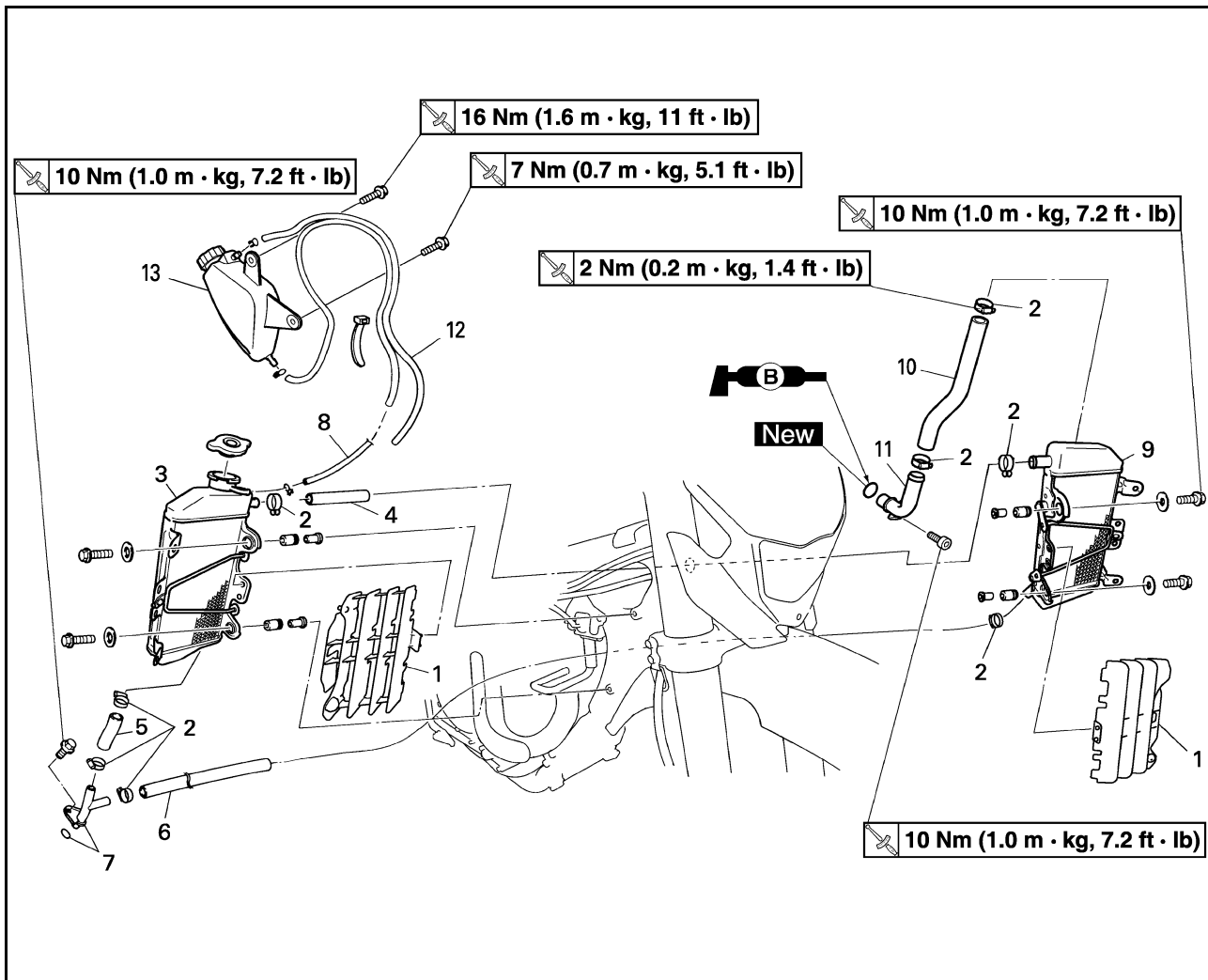
ENGINE

TIP

This section is intended for those who have basic knowledge and skill concerning the servicing of Yamaha motorcycles (e.g., Yamaha dealers, service engineers, etc.) Those who have little knowledge and skill concerning servicing are requested not to undertake inspection, adjustment, disassembly, or reassembly only by reference to this manual. It may lead to servicing trouble and mechanical damage.

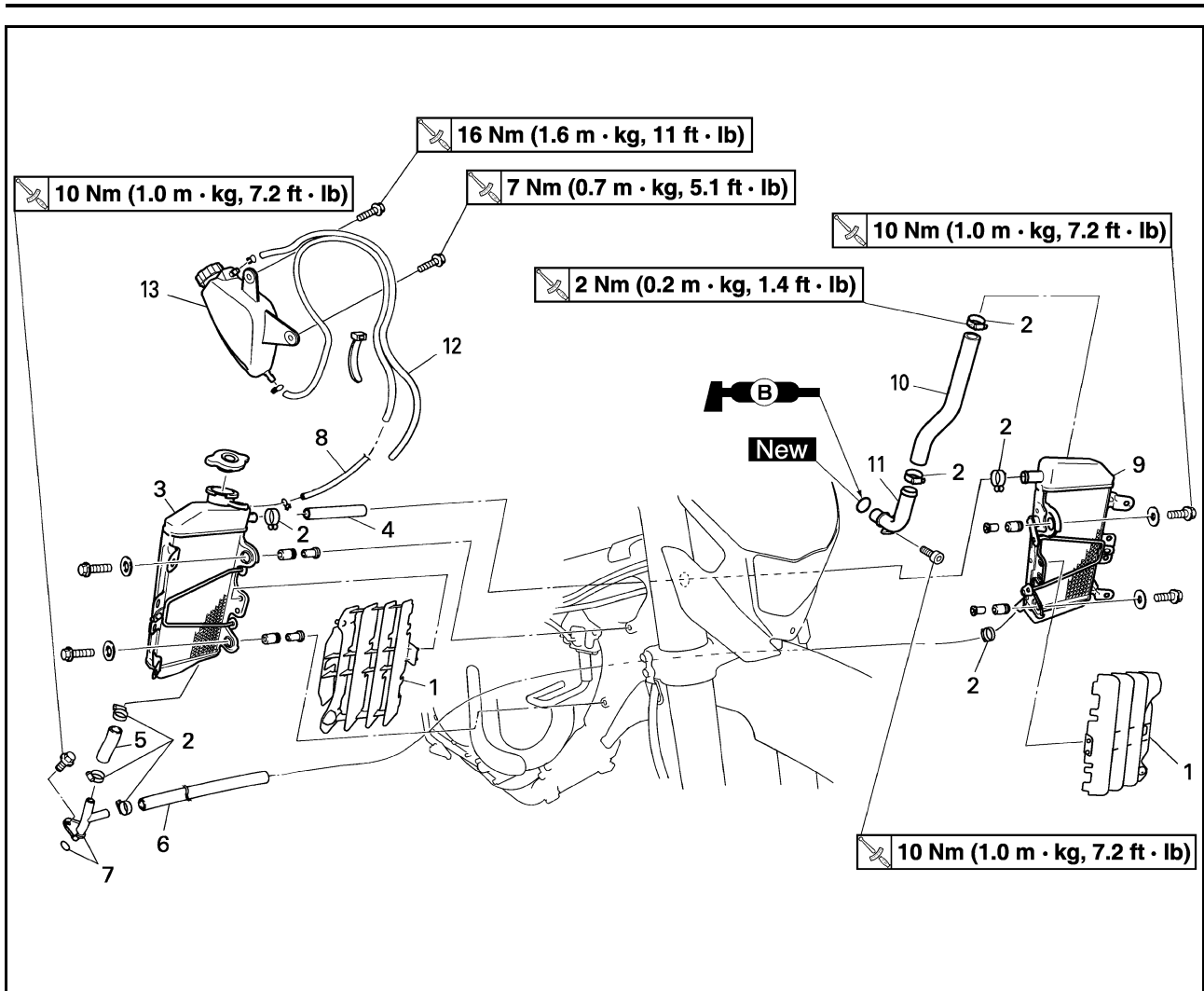
RADIATOR

REMOVING THE RADIATOR



Order	Part name	Q'ty	Remarks
	Drain the coolant.		Refer to "CHANGING THE COOLANT" section in the CHAPTER 3.
	Seat, fuel tank and left side cover		Refer to "SEAT, FUEL TANK AND SIDE COVERS" section in the CHAPTER 3.
	Exhaust pipe		Refer to "EXHAUST PIPE AND SILENCER" section in the CHAPTER 3.
1	Radiator guard	2	

RADIATOR



Order	Part name	Q'ty	Remarks
2	Radiator hose clamp	8	
3	Right radiator	1	
4	Radiator hose 2	1	
5	Radiator hose 3	1	
6	Radiator pipe 4	1	
7	Pipe 2/O-ring	1/1	
8	Catch tank hose	1	
9	Left radiator	1	
10	Radiator hose 1	1	
11	Pipe 1/O-ring	1/1	
12	Catch tank breather hose	1	
13	Catch tank	1	

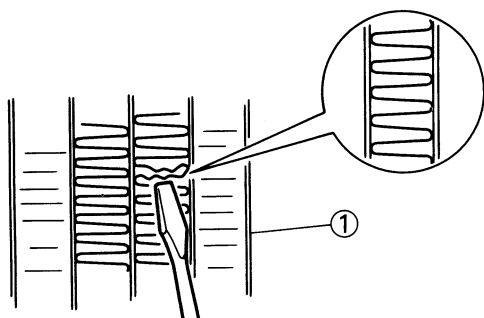
HANDLING NOTE

⚠ WARNING

Do not remove the radiator cap when the engine and radiator are hot. Scalding hot fluid and steam may be blown out under pressure, which could cause serious injury. When the engine has cooled, open the radiator cap by the following procedure: Place a thick rag, like a towel, over the radiator cap, slowly rotate the cap counter-clockwise to the detent. This procedure allows any residual pressure to escape. When the hissing sound has stopped, press down on the cap while turning counter-clockwise and remove it.


CHECKING THE RADIATOR

- Inspect:
 - Radiator core "1"
Obstruction → Blow out with compressed air through rear of the radiator.
Bent fin → Repair/replace.




INSTALLING THE RADIATOR


- Install:
 - Pipe 1 "1"

	Pipe 1: 10 Nm (1.0 m•kg, 7.2 ft•lb)
---	---


- Radiator hose 1 "2"

	Radiator hose 1: 2 Nm (0.2 m•kg, 1.4 ft•lb)
---	---


- Pipe 2 "3"

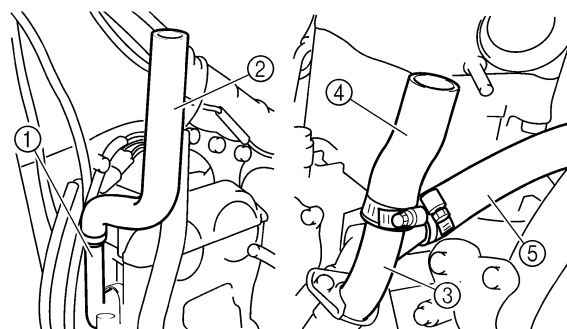
	Pipe 2: 10 Nm (1.0 m•kg, 7.2 ft•lb)
---	---

- Radiator hose 3 "4"


	Radiator hose 3: 2 Nm (0.2 m•kg, 1.4 ft•lb)
---	---

- Radiator hose 4 "5"


	Radiator hose 4: 2 Nm (0.2 m•kg, 1.4 ft•lb)
---	---

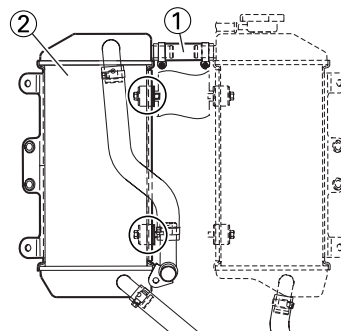


- Install:
 - Radiator hose 2 "1"


	Radiator hose 2: 2 Nm (0.2 m•kg, 1.4 ft•lb)
---	---

- Left radiator "2"

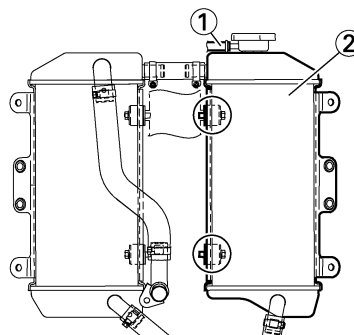
	Left radiator: 10 Nm (1.0 m•kg, 7.2 ft•lb)
---	--



- Install:
 - Catch tank hose "1"
 - Right radiator "2"

	Right radiator: 10 Nm (1.0 m•kg, 7.2 ft•lb)
---	---

Refer to "CABLE ROUTING DIAGRAM" section in the CHAPTER 2.

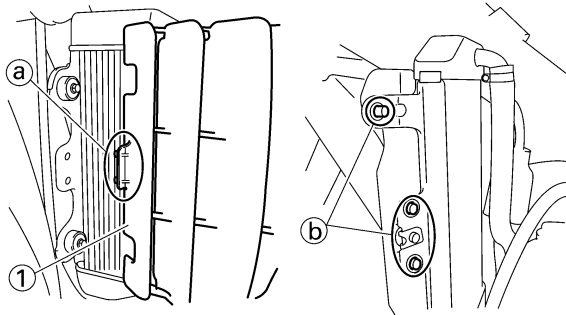


4. Install:

- Radiator guard "1"


TIP

First fit the inner hook portion "a" and then the outer one "b" onto the radiator.




5. Install:

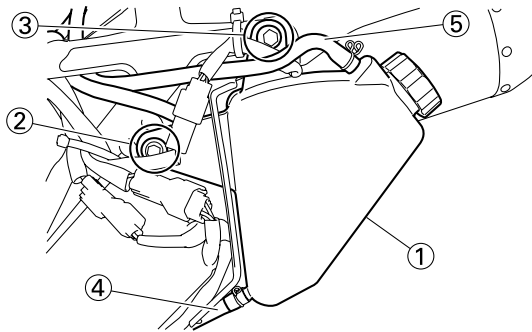
- Catch tank "1"
- Bolt (catch tank) "2"

	Bolt (catch tank): 7 Nm (0.7 m•kg, 5.1 ft•lb)
---	--

- Bolt (catch tank) "3"

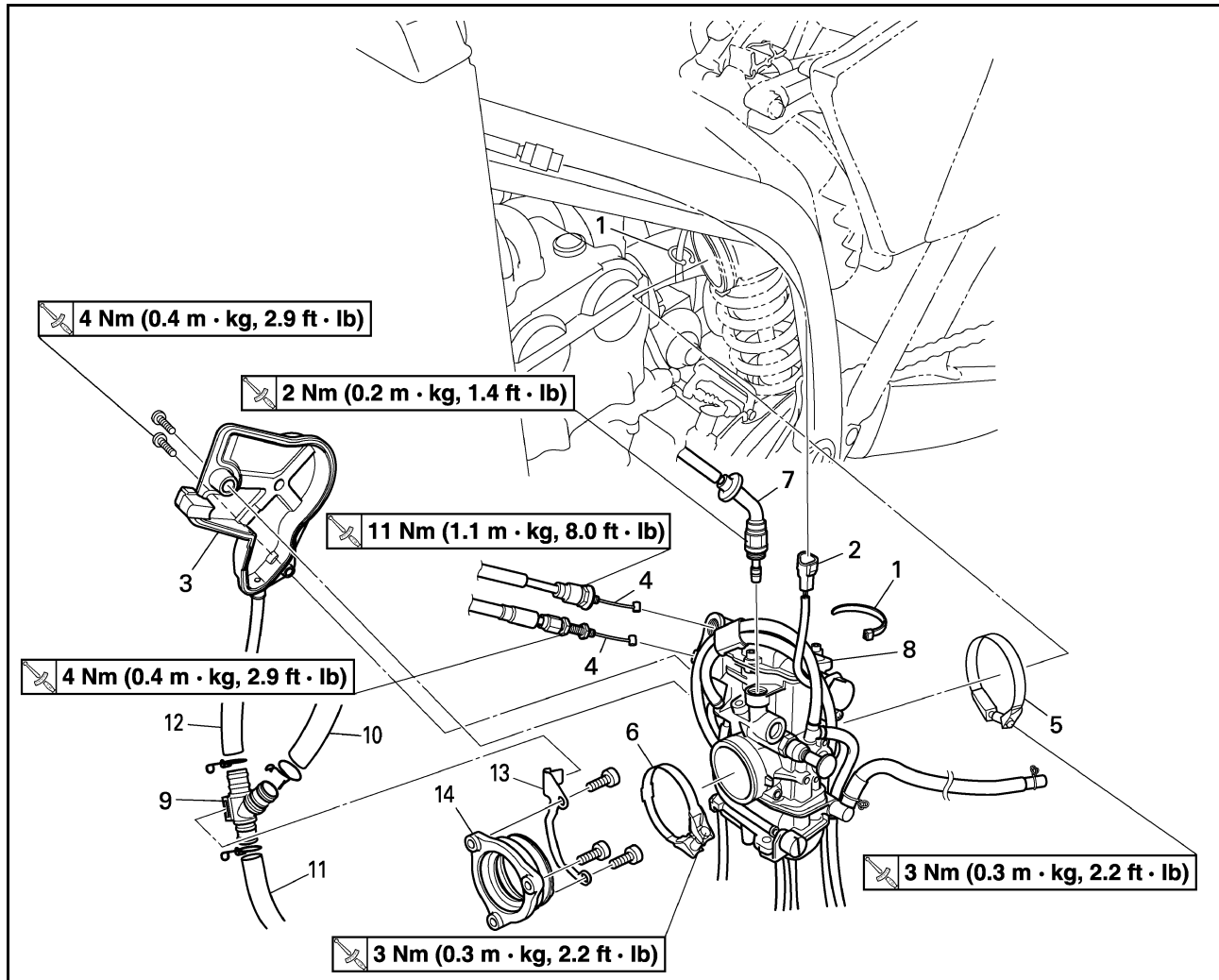
	Bolt (catch tank): 16 Nm (1.6 m•kg, 11 ft•lb)
--	--

- Catch tank hose "4"
 - Catch tank breather hose "5"
- Refer to "CABLE ROUTING DIAGRAM" section in the CHAPTER 2.



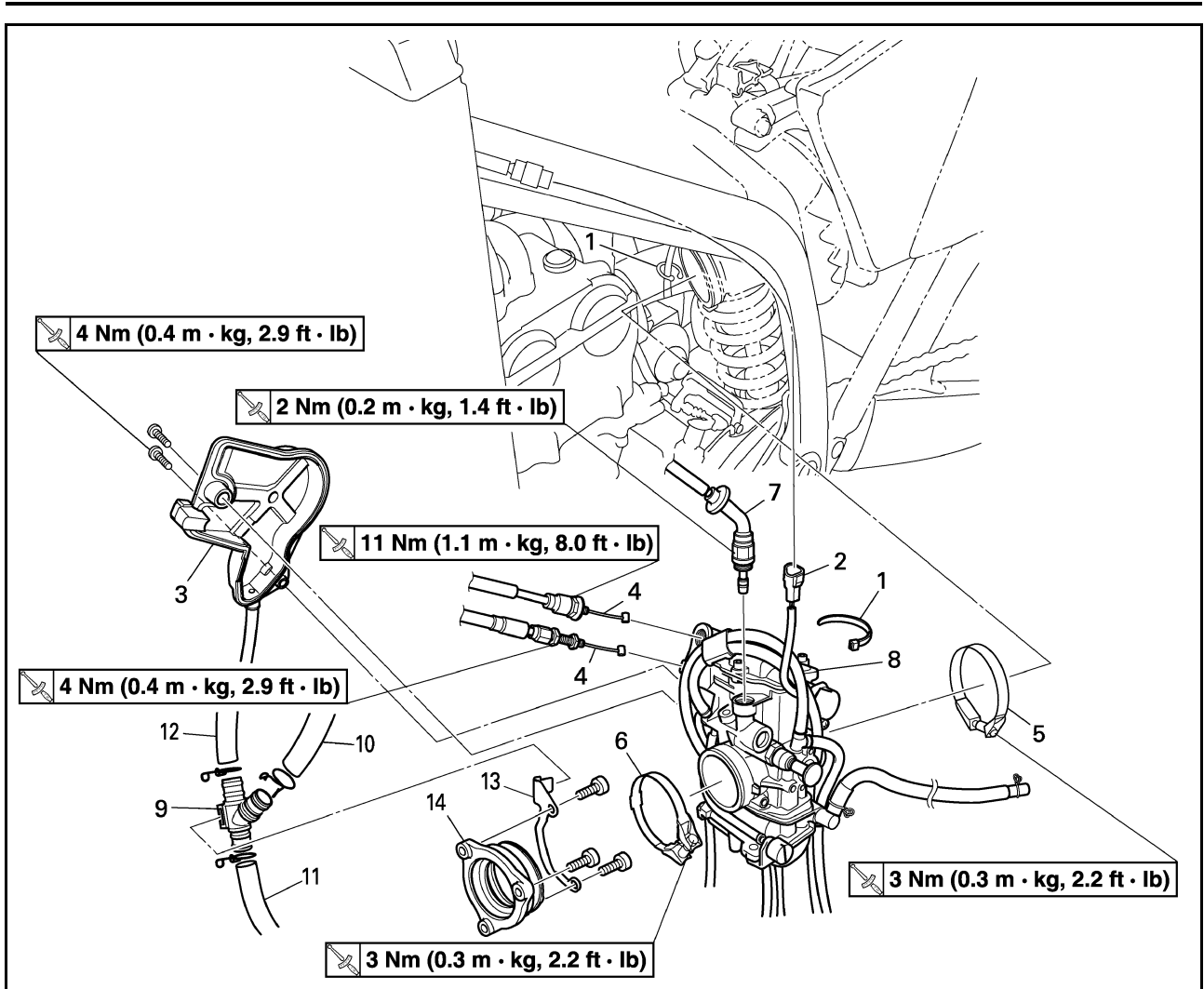
CARBURETOR

REMOVING THE CARBURETOR



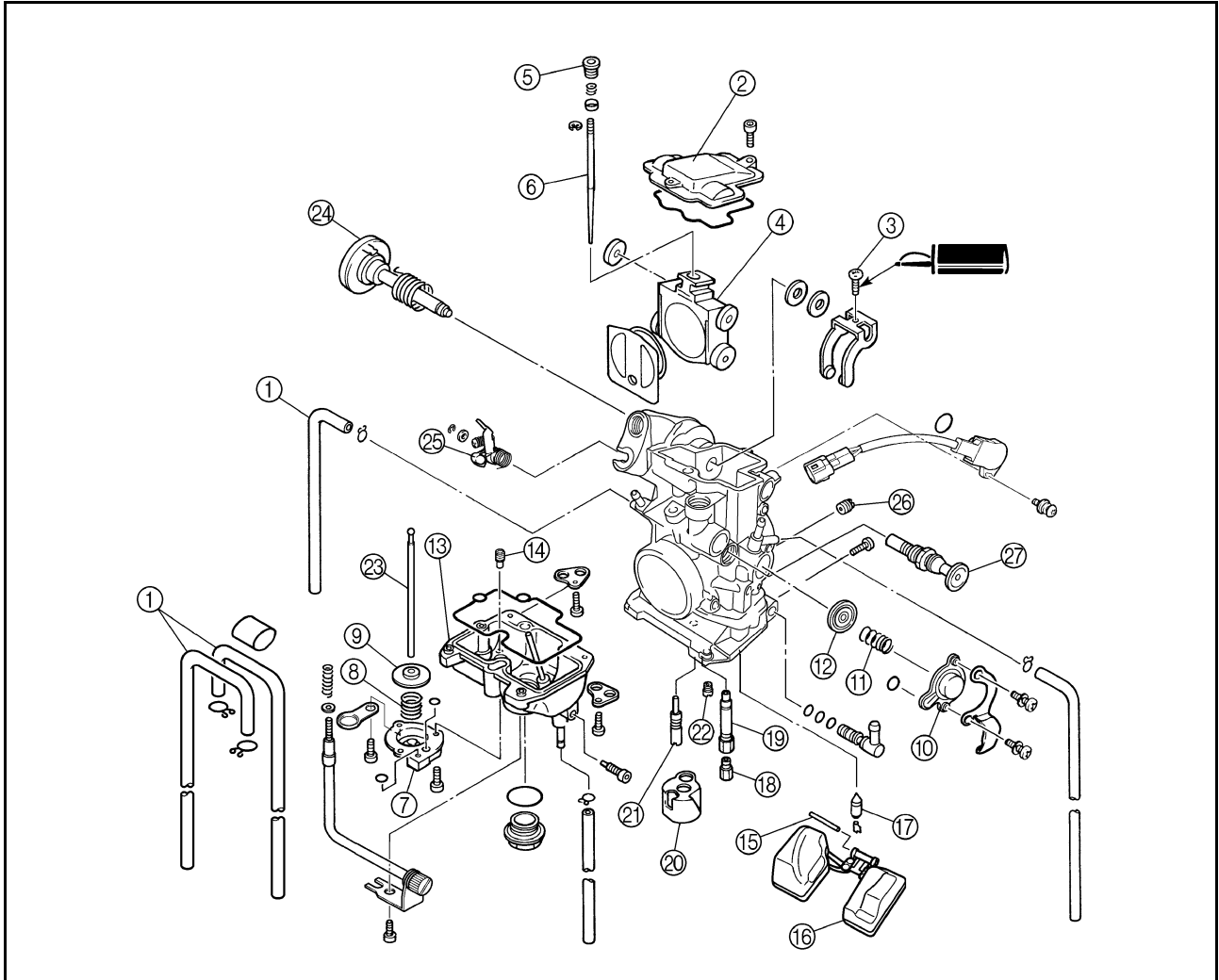
Order	Part name	Q'ty	Remarks
	Seat and fuel tank		Refer to "SEAT, FUEL TANK AND SIDE COVERS" section in the CHAPTER 3.
	Rear shock absorber		Refer to "REAR SHOCK ABSORB-ER" section in the CHAPTER 6.
1	Clamp	2	
2	Throttle position sensor lead coupler	1	
3	Throttle cable cover	1	
4	Throttle cable	2	
5	Clamp (air filter joint)	1	Loosen the screw (air filter joint).
6	Clamp (carburetor joint)	1	Loosen the screws (carburetor joint).
7	Hot starter plunger	1	
8	Carburetor	1	
9	Cylinder head breather pipe	1	
10	Cylinder head breather hose 1	1	

CARBURETOR



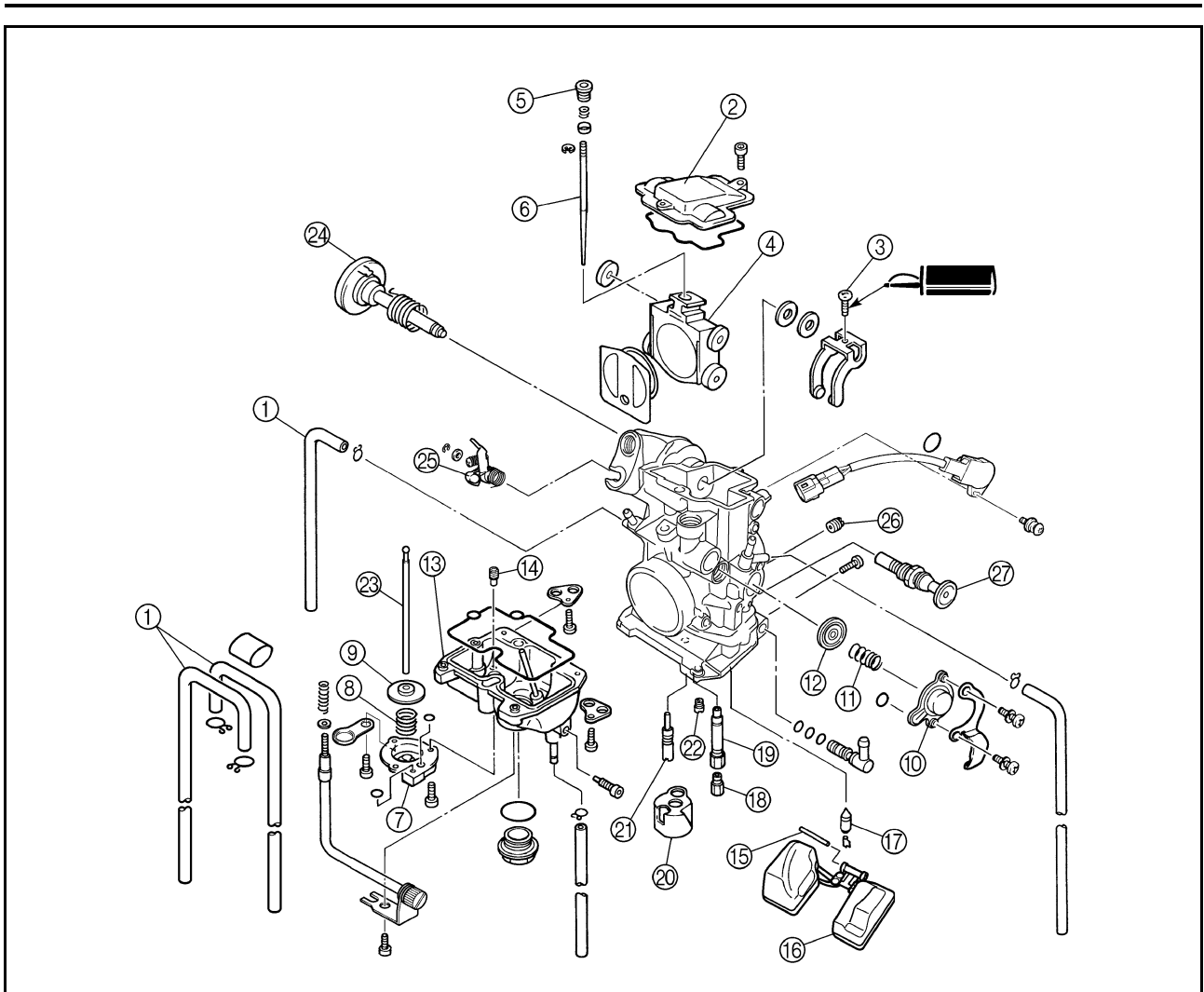
Order	Part name	Q'ty	Remarks
11	Cylinder head breather hose 2	1	
12	Cylinder head breather hose 3	1	
13	Bracket (cylinder head breather pipe)	1	
14	Carburetor joint	1	

DISASSEMBLING THE CARBURETOR



Order	Part name	Q'ty	Remarks
1	Carburetor breather hose	4	
2	Valve lever housing cover	1	
3	Screw (throttle shaft)	1	
4	Throttle valve	1	
5	Needle holder	1	
6	Jet needle	1	
7	Accelerator pump cover	1	
8	Spring	1	
9	Diaphragm (accelerator pump)	1	
10	Air cut valve cover	1	
11	Spring (air cut valve)	1	
12	Diaphragm (air cut valve)	1	
13	Float chamber	1	
14	Leak jet	1	
15	Float pin	1	

CARBURETOR

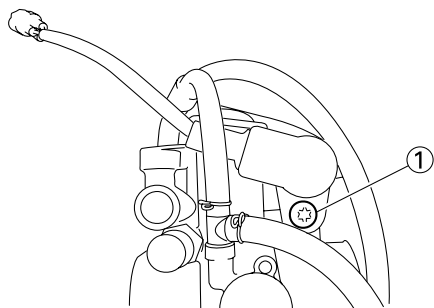


Order	Part name	Q'ty	Remarks
16	Float	1	
17	Needle valve	1	
18	Main jet	1	
19	Needle jet	1	
20	Spacer	1	
21	Pilot jet	1	
22	Starter jet	1	
23	Push rod	1	Pull the push rod.
24	Throttle shaft assembly	1	
25	Push rod link lever assembly	1	
26	Pilot air jet	1	
27	Cold starter plunger	1	

HANDLING NOTE

NOTICE

Do not loosen the screw (throttle position sensor) "1" except when changing the throttle position sensor due to failure because it will cause a drop in engine performance.



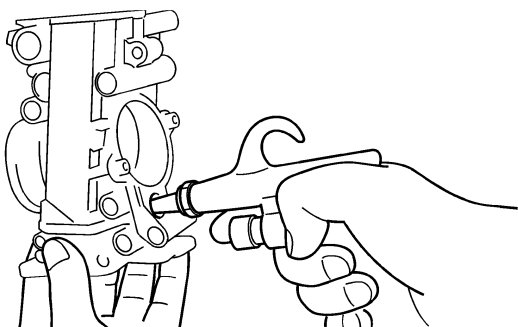
CHECKING THE CARBURETOR

1. Inspect:

- Carburetor body
Contamination → Clean.

TIP

- Use a petroleum based solvent for cleaning. Blow out all passages and jets with compressed air.
- Never use a wire.

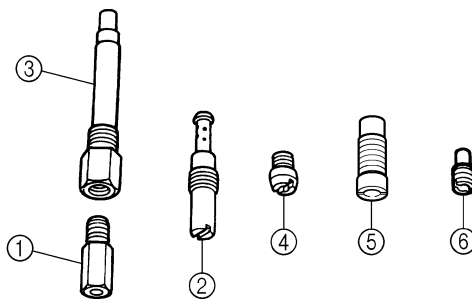


2. Inspect:

- Main jet "1"
 - Pilot jet "2"
 - Needle jet "3"
 - Starter jet "4"
 - Pilot air jet "5"
 - Leak jet "6"
- Damage → Replace.
Contamination → Clean.

TIP

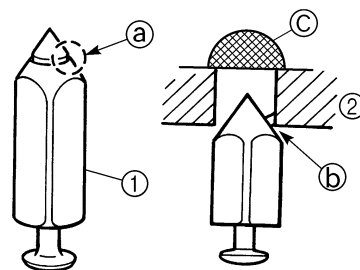
- Use a petroleum based solvent for cleaning. Blow out all passages and jets with compressed air.
- Never use a wire.



CHECKING THE NEEDLE VALVE

1. Inspect:

- Needle valve "1"
- Valve seat "2"
Grooved wear "a" → Replace.
Dust "b" → Clean.
- Filter "c"
Clogged → Clean.



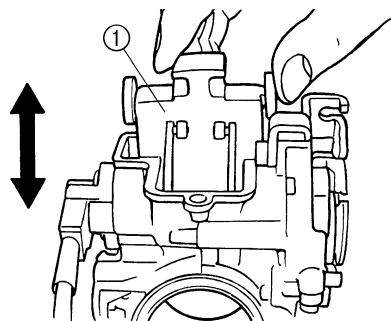
CHECKING THE THROTTLE VALVE

1. Check:

- Free movement
Stick → Repair or replace.

TIP

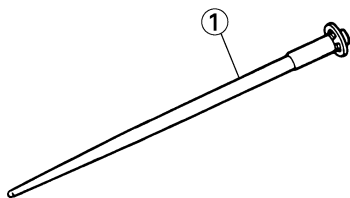
Insert the throttle valve "1" into the carburetor body, and check for free movement.



CHECKING THE JET NEEDLE


1. Inspect:

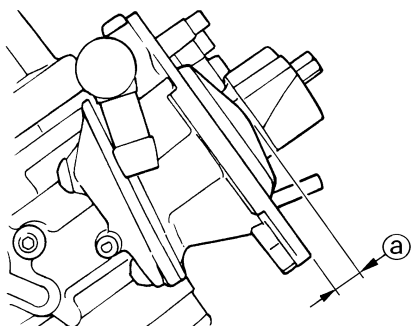
- Jet needle "1"
Bends/wear → Replace.
- Clip groove
Free play exists/wear → Replace.



MEASURING AND ADJUSTING THE FLOAT HEIGHT

- Measure:
 - Float height "a"
 Out of specification → Adjust.

	Float height: 8.0 mm (0.31 in)
---	---



Measurement and adjustment steps:

- Hold the carburetor in an upside down position.

TIP

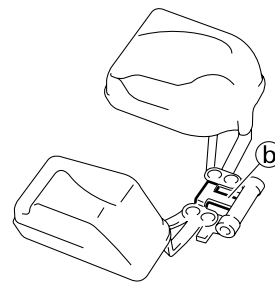
- Slowly tilt the carburetor in the opposite direction, then take the measurement when the needle valve aligns with the float arm.
- If the carburetor is level, the weight of the float will push in the needle valve, resulting in an incorrect measurement.

- Measure the distance between the mating surface of the float chamber and top of the float using a vernier calipers.

TIP

The float arm should be resting on the needle valve, but not compressing the needle valve.

- If the float height is not within specification, inspect the valve seat and needle valve.
- If either is worn, replace them both.
- If both are fine, adjust the float height by bending the float tab "b" on the float.

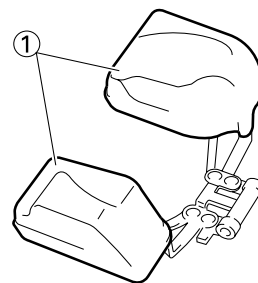


- Recheck the float height.



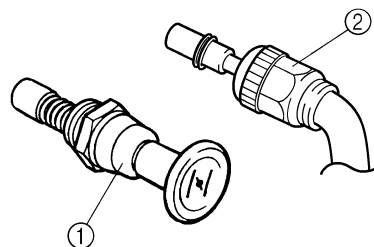
CHECKING THE FLOAT

- Inspect:
 - Float "1"
 Damage → Replace.



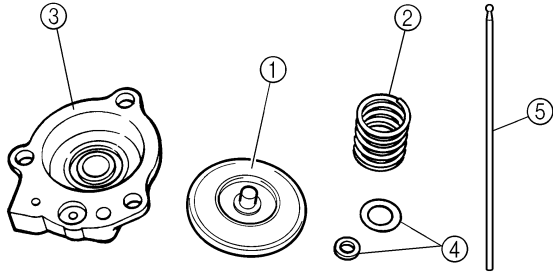
CHECKING THE STARTER PLUNGER

- Inspect:
 - Cold starter plunger "1"
 - Hot starter plunger "2"
 Wear/damage → Replace.



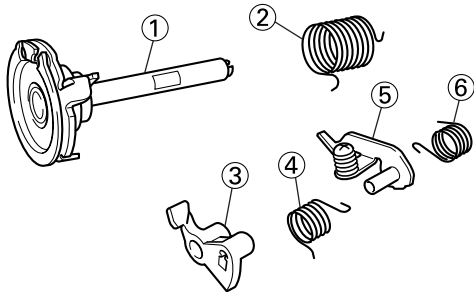
CHECKING THE ACCELERATOR PUMP

- Inspect:
 - Diaphragm (accelerator pump) "1"
 - Spring (accelerator pump) "2"
 - Accelerator pump cover "3"
 - O-ring "4"
 - Push rod "5"
 Tears (diaphragm)/damage → Replace.
 Dirt → Clean.



2. Inspect:

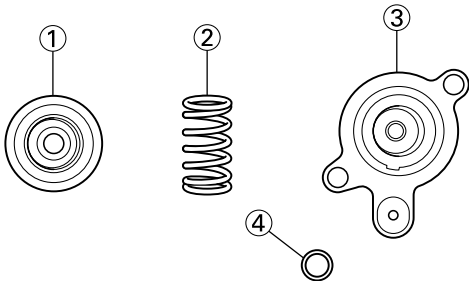
- Throttle shaft "1"
 - Spring "2"
 - Lever 1 "3"
 - Spring 1 "4"
 - Lever 2 "5"
 - Spring 2 "6"
- Dirt → Clean.



CHECKING THE AIR CUT VALVE

1. Inspect:

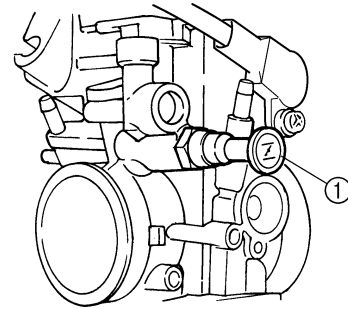
- Diaphragm (air cut valve) "1"
 - Spring (air cut valve) "2"
 - Air cut valve cover "3"
 - O-ring "4"
- Tears (diaphragm)/damage → Replace.



ASSEMBLING THE CARBURETOR

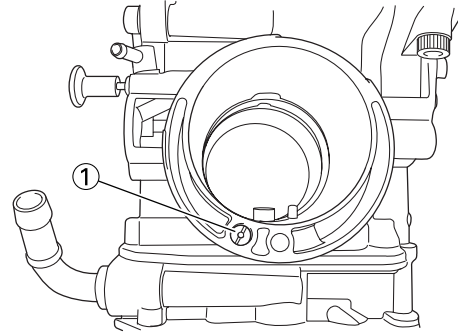
1. Install:

- Cold starter plunger "1"



2. Install:

- Pilot air jet "1"

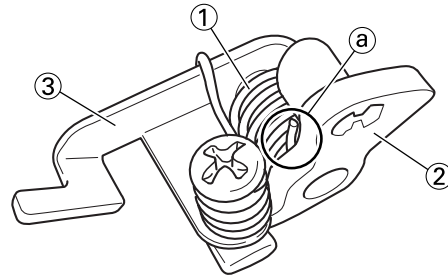


3. Install:

- Spring 1 "1"
 - Lever 1 "2"
- To lever 2 "3".

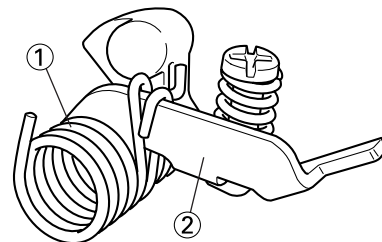
TIP

Make sure the spring 1 fits on the stopper "a" of the lever 2.



4. Install:

- Spring 2 "1"
- To lever 2 "2".

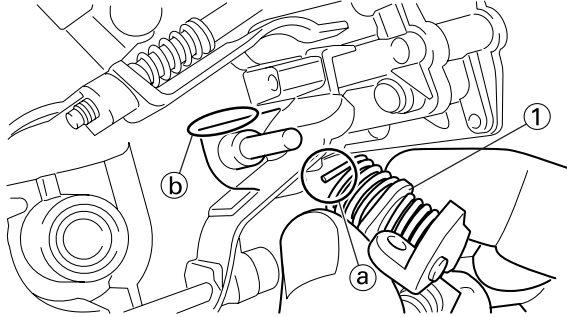


5. Install:

- Push rod link lever assembly "1"

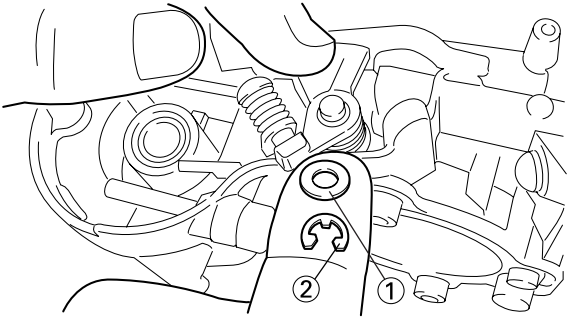
TIP

Make sure the stopper "a" of the spring 2 fits into the recess "b" in the carburetor.



6. Install:

- Washer "1"
- Circlip "2"

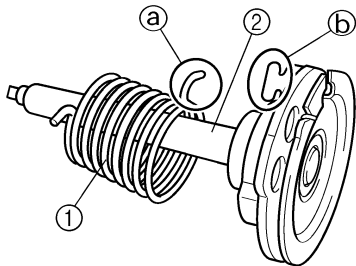


7. Install:

- Spring "1"
- To throttle shaft "2".

TIP

Install the bigger hook "a" of the spring fits on the stopper "b" of the throttle shaft pulley.

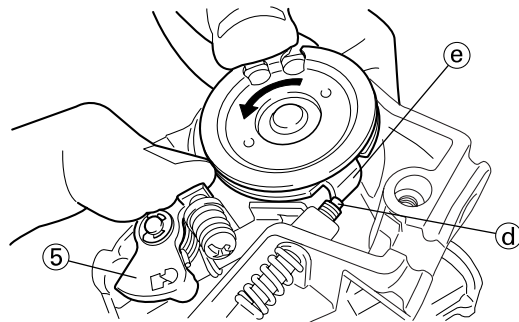
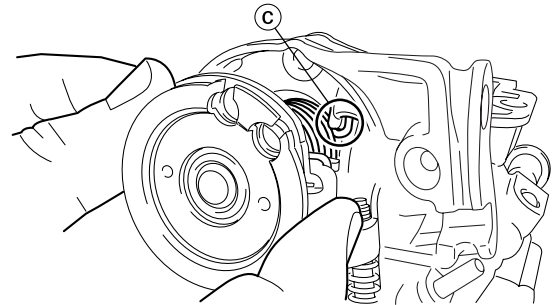
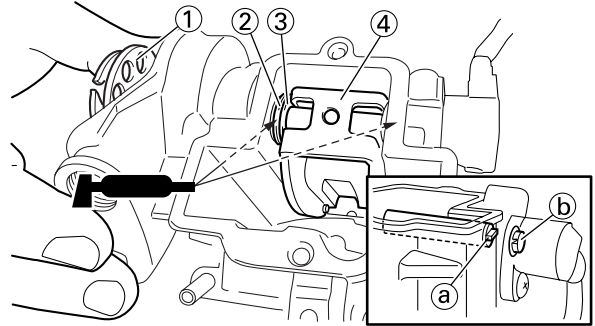


8. Install:

- Throttle shaft assembly "1"
- Washer (metal) "2"
- Washer (resin) "3"
- Valve lever "4"

TIP

- Apply the fluorochemical grease on the bearings.
- Fit the projection "a" on the throttle shaft assembly into the slot "b" in the throttle position sensor.
- Make sure the stopper "c" of the spring fits into the recess in the carburetor.
- Turn the throttle shaft assembly left while holding down the lever 1 "5" and fit the throttle stop screw tip "d" to the stopper "e" of the throttle shaft assembly pulley.

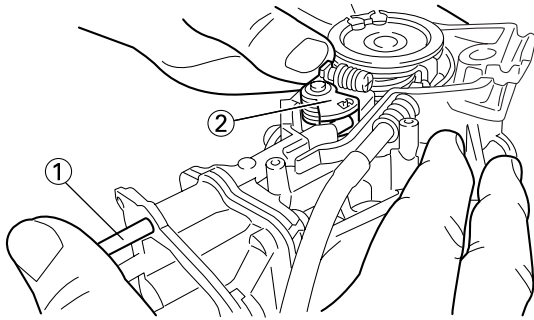


9. Install:

- Push rod "1"

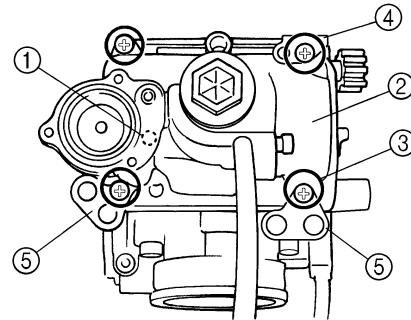
TIP

While holding down the lever 1 "2", insert the push rod farthest into the carburetor.



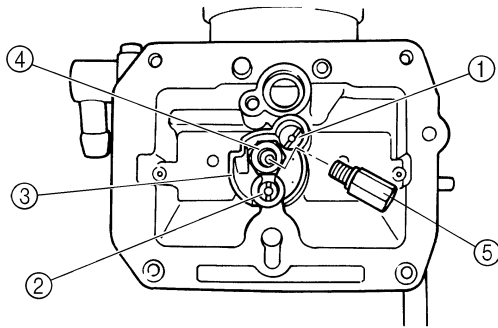
10. Install:

- Starter jet "1"
- Pilot jet "2"
- Spacer "3"
- Needle jet "4"
- Main jet "5"



13. Install:

- Diaphragm (air cut valve) "1"
- Spring (air cut valve) "2"
- O-ring "3"
- Air cut valve cover "4"
- Holder (cylinder head breather hose) "5"
- Screw (air cut valve cover) "6"

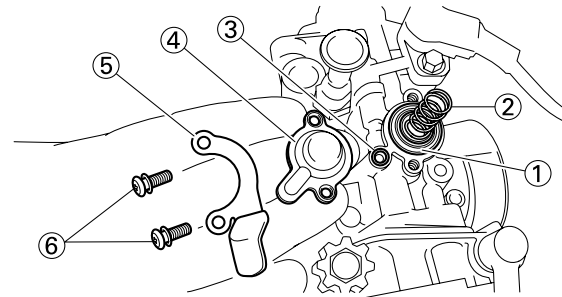


11. Install:

- Needle valve "1"
- Float "2"
- Float pin "3"

TIP

- After installing the needle valve to the float, install them to the carburetor.
- Check the float for smooth movement.

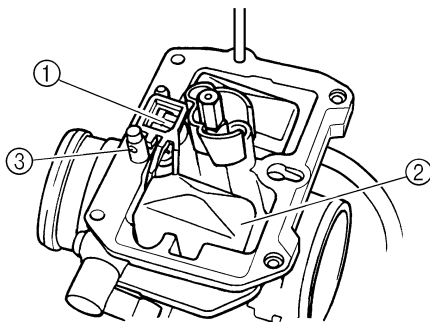


14. Install:

- Diaphragm (accelerator pump) "1"
- Spring "2"
- O-ring "3"
- Accelerator pump cover "4"
- Hose holder (drain hose) "5"
- Screw (accelerator pump cover) "6"

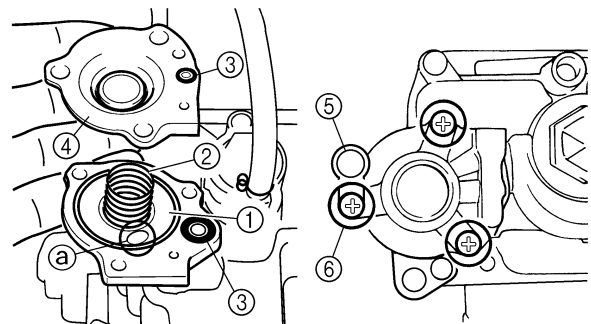
TIP

Install the diaphragm (accelerator pump) with its mark "a" facing the spring.



12. Install:

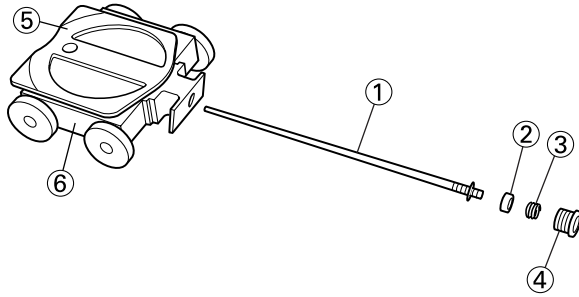
- O-ring
- Leak jet "1"
- Float chamber "2"
- Bolt (float chamber) "3"
- Cable holder (throttle stop screw cable) "4"
- Hose holder (carburetor breather hose) "5"



15. Install:

- Jet needle "1"
- Collar "2"
- Spring "3"
- Needle holder "4"

- Throttle valve plate "5"
To throttle valve "6".

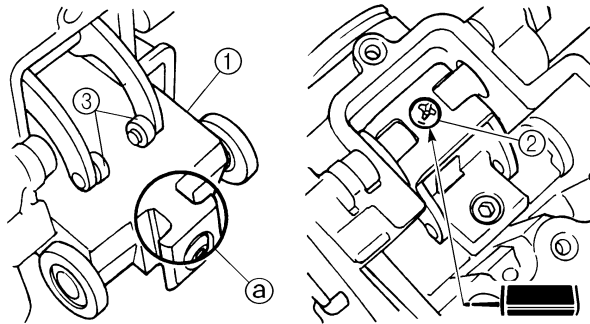


16. Install:

- Throttle valve assembly "1"
- Screw (throttle shaft) "2"

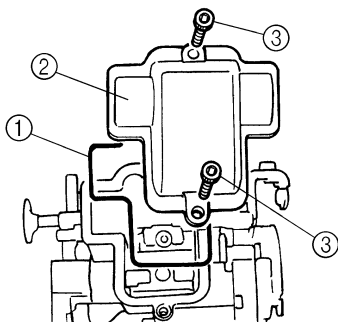
TIP

Install the valve lever rollers "3" into the slits "a" of the throttle valve.



17. Install:

- O-ring "1"
- Valve lever housing cover "2"
- Bolt (valve lever housing cover) "3"

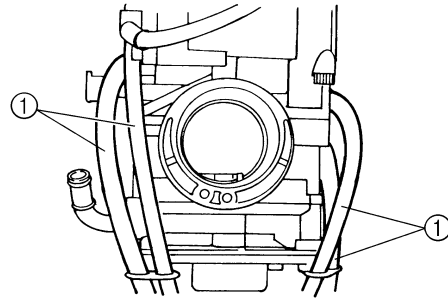


18. Install:

- Carburetor breather hose "1"
Refer to "CABLE ROUTING DIAGRAM" section in the CHAPTER 2.

TIP

Install the carburetor breather hoses to the carburetor so that the hoses do not bend near where they are installed.




ADJUSTING THE ACCELERATOR PUMP TIMING

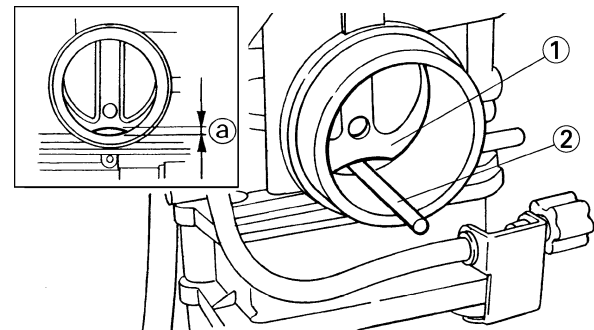


Adjustment steps:

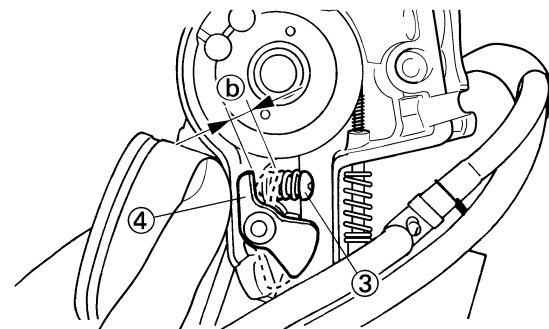
TIP

In order for the throttle valve height "a" to achieve the specified value, tuck under the throttle valve plate "1" the rod "2" etc. with the same outer diameter as the specified value.

	Throttle valve height: 3.1 mm (0.122 in)
---	---



- Fully turn in the accelerator pump adjusting screw "3".
- Check that the link lever "4" has free play "b" by pushing lightly on it.



- Gradually turn out the adjusting screw while moving the link lever until it has no more free play.



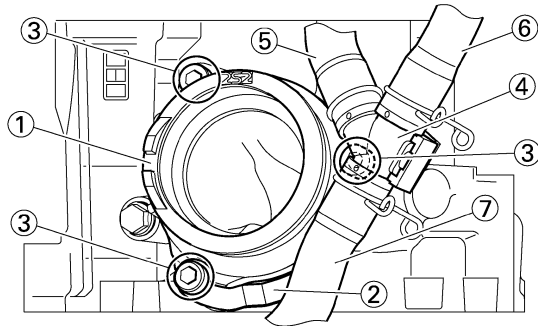
INSTALLING THE CARBURETOR

1. Install:

- Carburetor joint "1"
- Bracket (cylinder head breather pipe) "2"
- Bolt (carburetor joint) "3"

	Bolt (carburetor joint): 10 Nm (1.0 m•kg, 7.2 ft•lb)
---	---

- Cylinder head breather pipe "4"
- Cylinder head breather hose 1 "5"
- Cylinder head breather hose 2 "6"
- Cylinder head breather hose 3 "7"

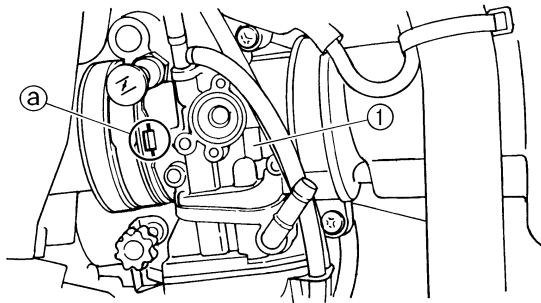


2. Install:

- Carburetor "1"

TIP

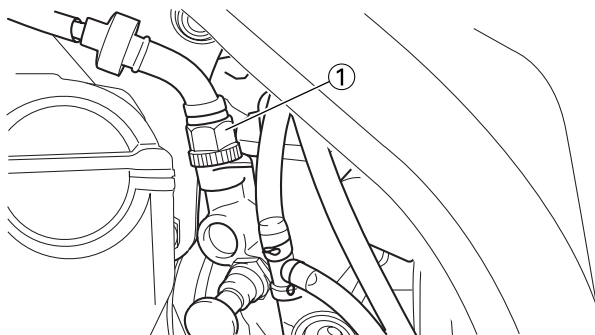
Install the projection "a" between the carburetor joint slots.



3. Install:

- Hot starter plunger "1"

	Hot starter plunger: 2 Nm (0.2 m•kg, 1.4 ft•lb)
---	--



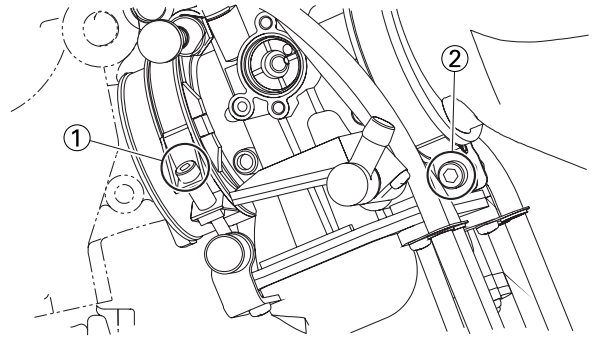
4. Tighten:

- Bolt (carburetor joint) "1"

	Bolt (carburetor joint): 3 Nm (0.3 m•kg, 2.2 ft•lb)
---	--


- Bolt (air filter joint) "2"

	Bolt (air filter joint): 3 Nm (0.3 m•kg, 2.2 ft•lb)
---	--




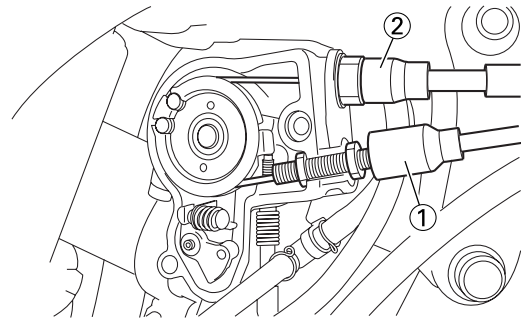
5. Install:

- Throttle cable (pull) "1"

	Throttle cable (pull): 4 Nm (0.4 m•kg, 2.9 ft•lb)
---	--

- Throttle cable (return) "2"

	Throttle cable (return): 11 Nm (1.1 m•kg, 8.0 ft•lb)
---	---




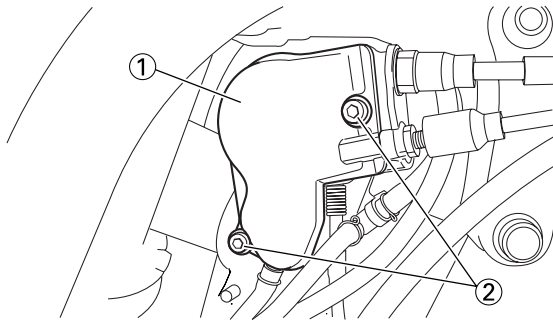
6. Adjust:

- Throttle grip free play
Refer to "ADJUSTING THE THROTTLE CABLE FREE PLAY" section in the CHAPTER 3.

7. Install:

- Throttle cable cover "1"
- Bolt (throttle cable cover) "2"

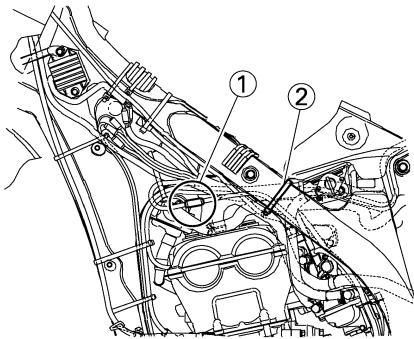
	Bolt (throttle cable cover): 4 Nm (0.4 m•kg, 2.9 ft•lb)
---	--



8. Install:

- Throttle position sensor lead coupler "1"
- Clamp "2"

Refer to "CABLE ROUTING DIAGRAM" section in the CHAPTER 2.



9. Install:

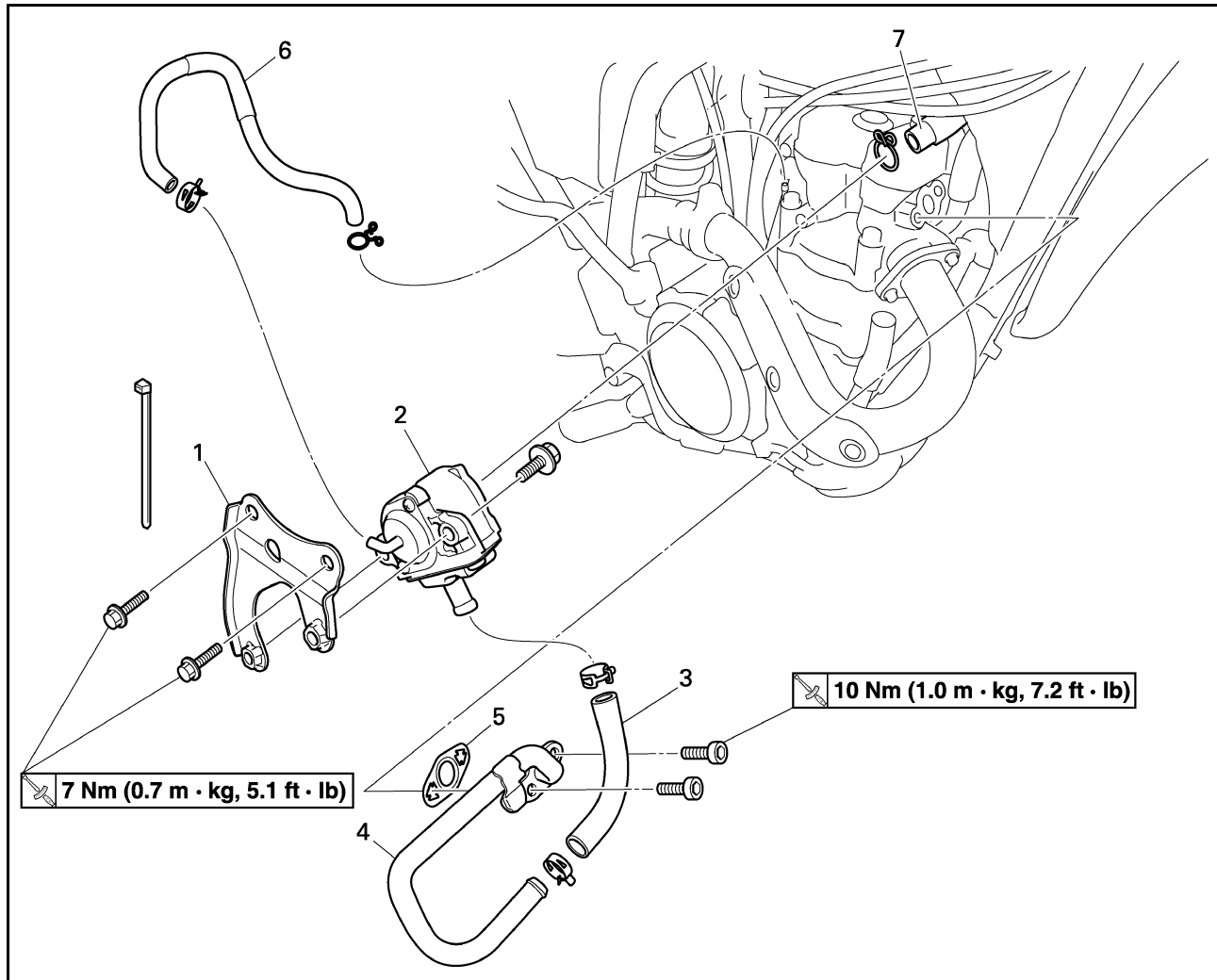
- Clamp "1"

Refer to "CABLE ROUTING DIAGRAM" section in the CHAPTER 2.



AIR INDUCTION SYSTEM

REMOVING THE AIR INDUCTION SYSTEM



Order	Part name	Q'ty	Remarks
1	Bracket	1	
2	Air cut-off valve assembly	1	
3	Air induction hose (air cut-off valve - front of cylinder head)	1	
4	Air induction pipe	1	
5	Gasket	1	
6	Air induction hose (air cut-off valve - rear of cylinder head)	1	
7	Air induction hose (air cut-off valve - air filter case)	1	

CHECKING THE AIR INDUCTION SYSTEM

1. Inspect:

- Air induction hose
Crack/damage → Replace.
- Air induction pipe
Crack/damage → Replace.



2. Check:

- Operation of air cut valve
Pass air through the pipe and check the air cut valve for operation.
Does not meet the following condition → Replace the air cut valve assembly.

"a" to "b"	Air passes.
"b" to "a"	Air does not pass.
"a" to "b"	Air does not pass when specified pressure is on "c".

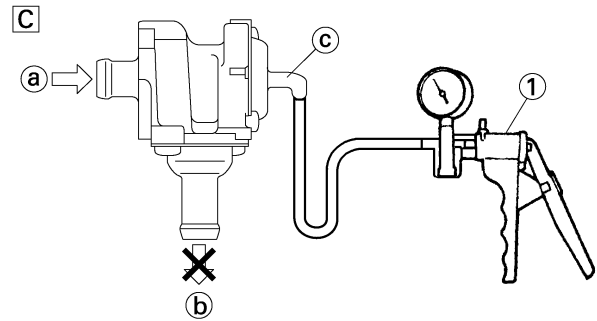
TIP

- Blow in air to check for operation.
- When using vacuum, check by the use of the vacuum/pressure pump gauge set "1".

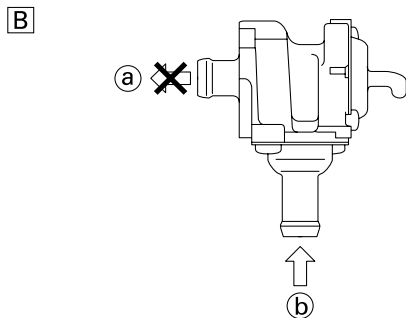
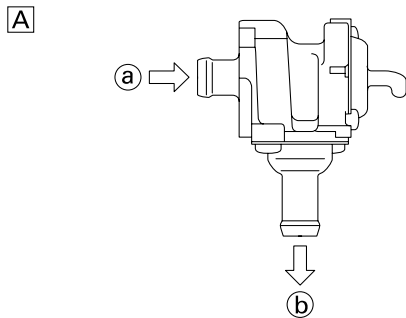
	Vacuum/pressure pump gauge set: YB-35956-A/90890-06756
	Vacuum specifying pressure: 46.7–86.7 kPa (350–650 mmHg, 13.8–25.6 inHg)

NOTICE

When using vacuum on the pipe "c", take care not to exceed the specified value.

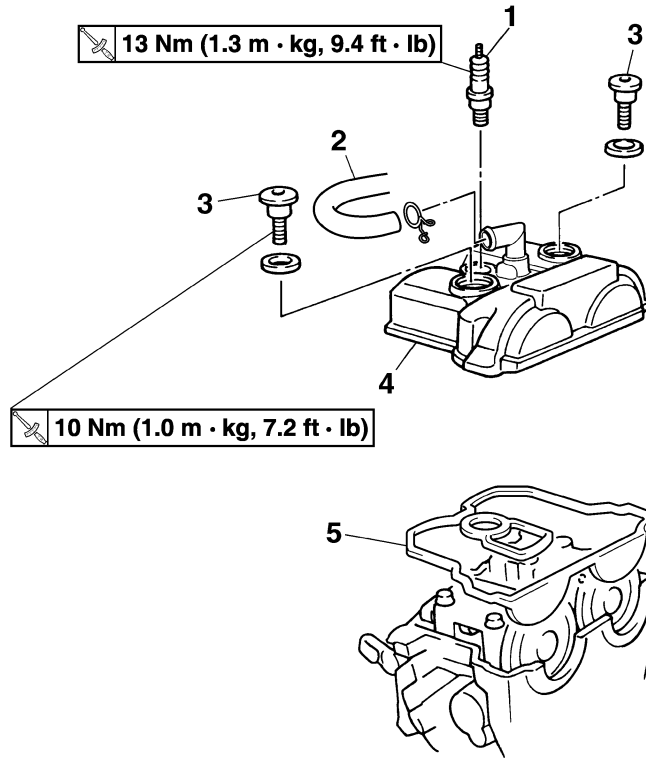


- a. From air filter
- b. To cylinder head (exhaust port)
- c. From cylinder head (intake port)
- A. Check for induction from air filter.
- B. Check for prevention of backflow into air filter.
- C. Check for prevention of afterburn. (When throttle is closed at sudden deceleration)



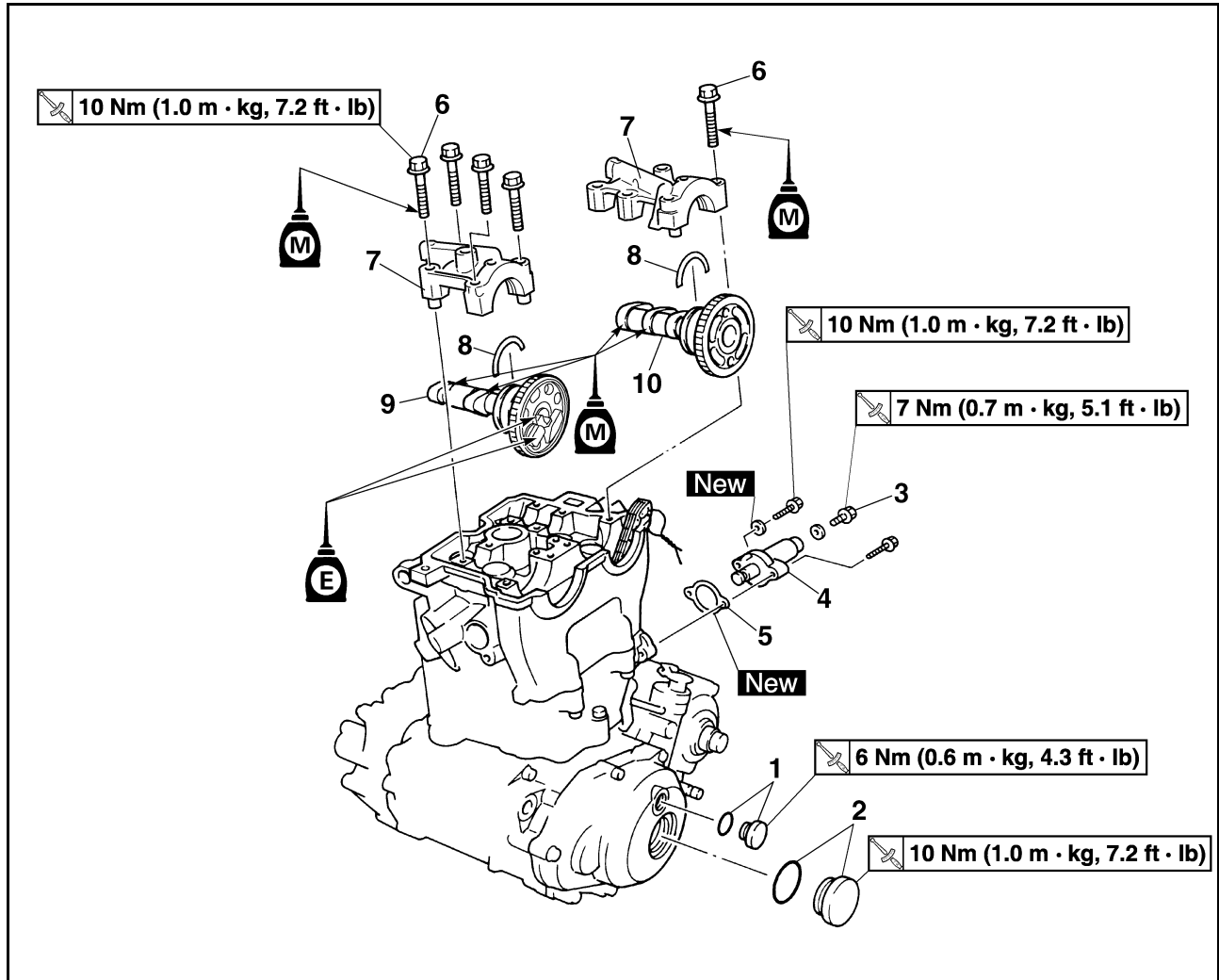
CAMSHAFTS

REMOVING THE CYLINDER HEAD COVER



Order	Part name	Q'ty	Remarks
	Seat and fuel tank		Refer to "REMOVING THE SEAT, FUEL TANK AND SIDE COVERS" section in the CHAPTER 3.
	Air cut-off valve assembly		Refer to "AIR INDUCTION SYSTEM" section.
	Engine upper bracket (right)		Refer to "ENGINE REMOVAL" section.
	Engine upper bracket (left)		
1	Spark plug	1	
2	Cylinder head breather hose	1	
3	Bolt (cylinder head cover)	2	
4	Cylinder head cover	1	
5	Cylinder head cover gasket	1	

REMOVING THE CAMSHAFTS

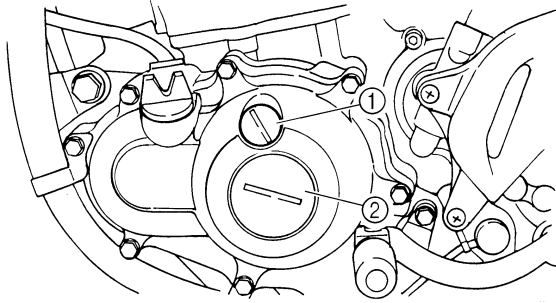


Order	Part name	Q'ty	Remarks
1	Timing mark accessing screw	1	Refer to removal section.
2	Crankshaft end accessing screw	1	Refer to removal section.
3	Timing chain tensioner cap bolt	1	Refer to removal section.
4	Timing chain tensioner	1	Refer to removal section.
5	Gasket	1	Refer to removal section.
6	Bolt (camshaft cap)	10	Refer to removal section.
7	Camshaft cap	2	Refer to removal section.
8	Clip	2	Refer to removal section.
9	Exhaust camshaft	1	Refer to removal section.
10	Intake camshaft	1	Refer to removal section.

REMOVING THE CAMSHAFT

1. Remove:

- Timing mark accessing screw "1"
- Crankshaft end accessing screw "2"



2. Align:

- T.D.C. mark
With align mark.

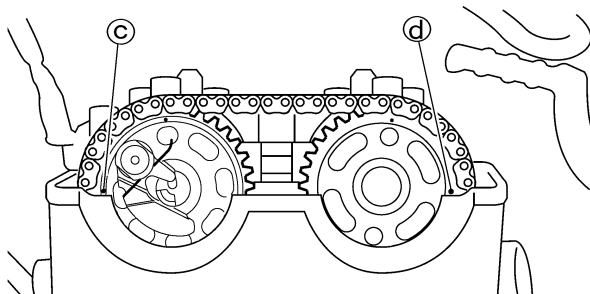
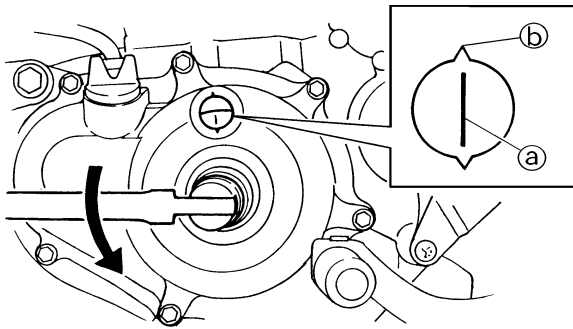


Checking steps:

- Turn the crankshaft counterclockwise with a wrench.
- Align the T.D.C. mark "a" on the rotor with the align mark "b" on the crankcase cover when piston is at T.D.C. on compression stroke.

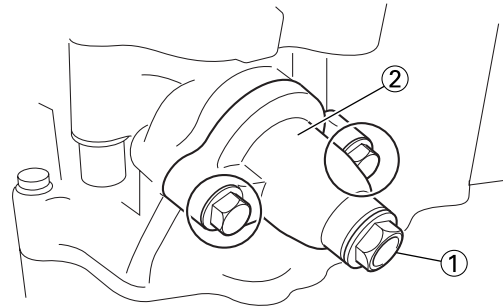
TIP

In order to be sure that the piston is at Top Dead Center, the punch mark "c" on the exhaust camshaft and the punch mark "d" on the intake camshaft must align with the cylinder head surface, as shown in the illustration.



3. Remove:

- Timing chain tensioner cap bolt "1"
- Timing chain tensioner "2"
- Gasket



4. Remove:

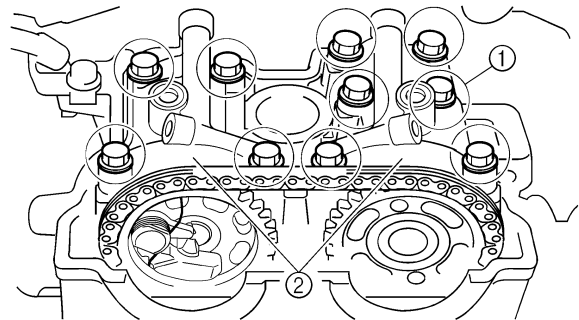
- Bolt (camshaft cap) "1"
- Camshaft cap "2"
- Clip

TIP

Remove the bolts (camshaft cap) in a criss-cross pattern, working from the outside in.

NOTICE

The bolts (camshaft cap) must be removed evenly to prevent damage to the cylinder head, camshafts or camshaft caps.

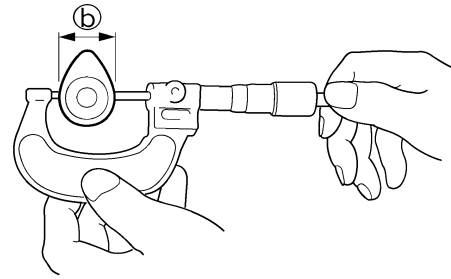
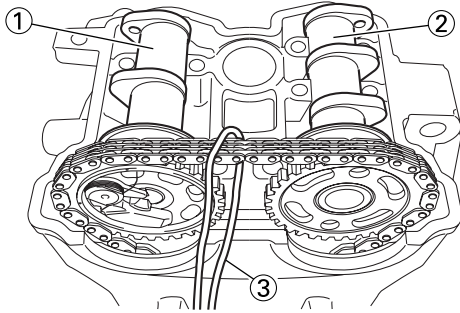


5. Remove:

- Exhaust camshaft "1"
- Intake camshaft "2"

TIP

Attach a wire "3" to the timing chain to prevent it from falling into the crankcase.



11151002

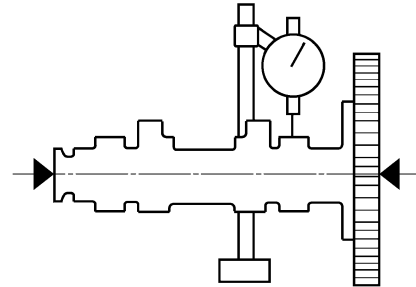
CHECKING THE CAMSHAFT

1. Inspect:
 - Cam lobe
Pitting/scratches/blue discoloration → Replace.
2. Measure:
 - Cam lobe length "a" and "b"
Out of specification → Replace.

3. Measure:
 - Runout (camshaft)
Out of specification → Replace.

	Runout (camshaft): Less than 0.03 mm (0.0012 in)
--	---

	Cam lobes length: Intake "a": 30.100–30.200 mm (1.1850–1.1890 in) <Limit>: 30.000 mm (1.1811 in) Intake "b": 22.450–22.550 mm (0.8839–0.8878 in) <Limit>: 22.350 mm (0.8799 in) Exhaust "a": 30.200–30.300 mm (1.1890–1.1929 in) <Limit>: 30.100 mm (1.1850 in) Exhaust "b": 22.450–22.550 mm (0.8839–0.8878 in) <Limit>: 22.350 mm (0.8799 in)
--	--



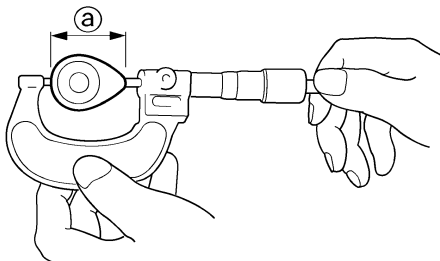
11151402

4. Measure:
 - Camshaft-to-cap clearance
Out of specification → Measure camshaft outside diameter.

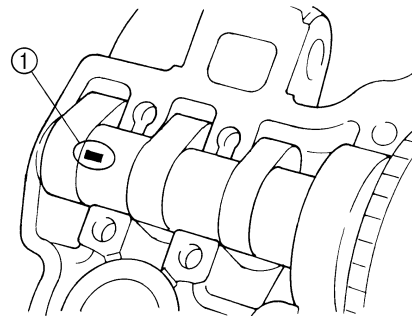
	Camshaft-to-cap clearance: 0.028–0.062 mm (0.0011–0.0024 in) <Limit>:0.08 mm (0.003 in)
--	---

Measurement steps:

- a. Install the camshaft onto the cylinder head.
- b. Position a strip of Plastigauge® "1" onto the camshaft.



11151001



- c. Install the clip, dowel pins and camshaft caps.

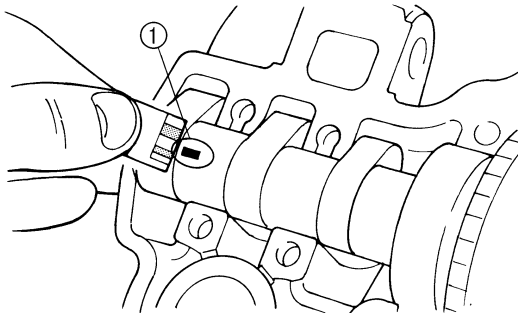


Bolt (camshaft cap):
10 Nm (1.0 m•kg, 7.2 ft•lb)

TIP

- Tighten the bolts (camshaft cap) in a criss-cross pattern from innermost to outer caps.
- Do not turn the camshaft when measuring clearance with the Plastigauge®.

d. Remove the camshaft caps and measure the width of the Plastigauge® "1".

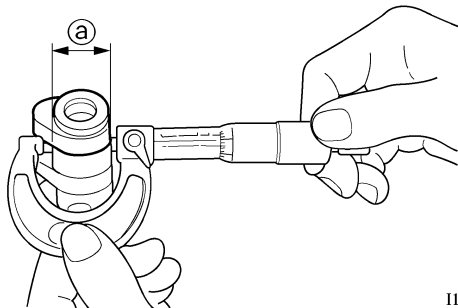


5. Measure:

- Camshaft outside diameter "a"
 Out of specification → Replace the camshaft.
 Within specification → Replace camshaft case and camshaft caps as a set.



Camshaft outside diameter:
21.959–21.972 mm (0.8645–0.8650 in)

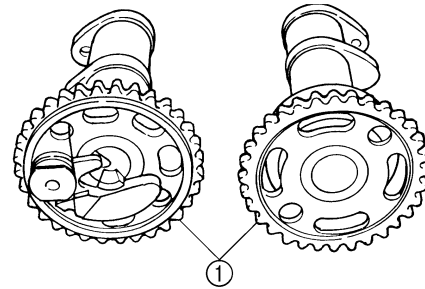


11151003

CHECKING THE CAMSHAFT SPROCKET

1. Inspect:

- Camshaft sprocket "1"
 Wear/damage → Replace the camshaft assembly and timing chain as a set.



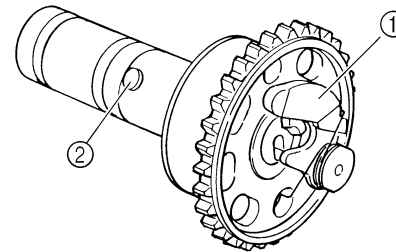
CHECKING THE DECOMPRESSION SYSTEM

1. Check:
- Decompression system



Checking steps:

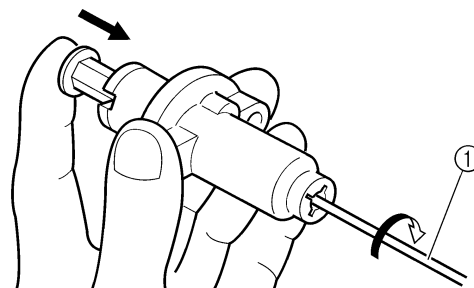
- Check that the decompression mechanism cam "1" moves smoothly.
- Check that the decompression mechanism cam lever pin "2" projects from the camshaft.

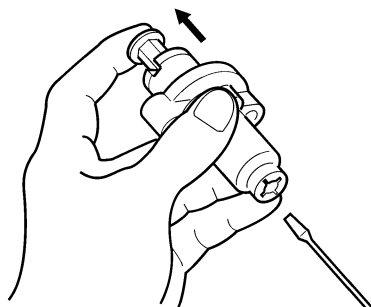


CHECKING THE TIMING CHAIN TENSIONER

1. Check:

- While pressing the tensioner rod lightly with fingers, use a thin screwdriver "1" and wind the tensioner rod up fully clockwise.
- When releasing the screwdriver by pressing lightly with fingers, make sure that the tensioner rod will come out smoothly.
- If not, replace the tensioner assembly.

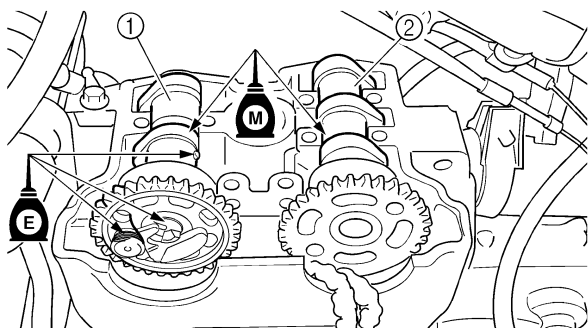




INSTALLING THE CAMSHAFT

1. Install:

- Exhaust camshaft "1"
- Intake camshaft "2"



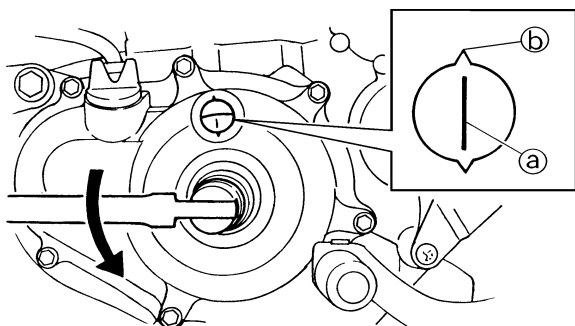
Installation steps:

a. Turn the crankshaft counterclockwise with a wrench.

TIP

- Apply the molybdenum disulfide oil on the camshafts.
- Apply the engine oil on the decompression system.

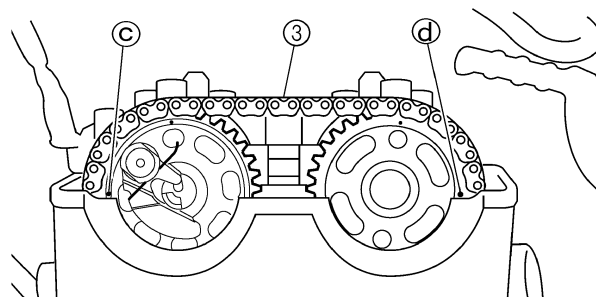
b. Align the T.D.C. mark "a" on the rotor with the align mark "b" on the crankcase cover when piston is at T.D.C. on compression stroke.



c. Fit the timing chain "3" onto both camshaft sprockets and install the camshafts on the cylinder head.

TIP

The camshafts should be installed onto the cylinder head so that the punch mark "c" on the exhaust camshaft and the punch mark "d" on the intake camshaft must align with the cylinder head surface, as shown in the illustration.

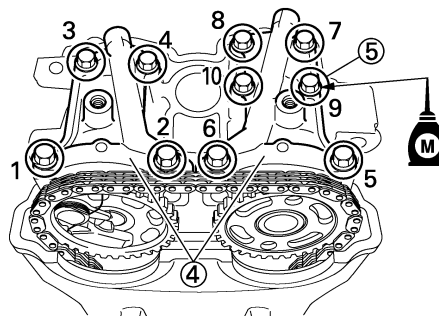


NOTICE

Do not turn the crankshaft during the camshaft installation. Damage or improper valve timing will result.

d. Install the clips, camshaft caps "4" and bolts (camshaft cap) "5".

	Bolt (camshaft cap): 10 Nm (1.0 m•kg, 7.2 ft•lb)
--	---



TIP

- Before installing the clips, cover the cylinder head with a clean rag to prevent the clips from into the cylinder head cavity.
- Apply the molybdenum disulfide oil on the thread of the bolts (camshaft cap).
- Tighten the bolts to the specified torque in two or three steps in the proper tightening sequence as shown.

NOTICE

The bolts (camshaft cap) must be tightened evenly, or damage to the cylinder head, camshaft caps, and camshaft will result.



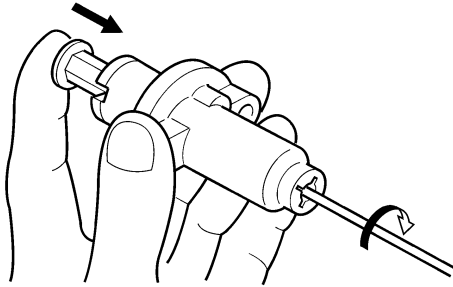
2. Install:

- Timing chain tensioner



Installation steps:

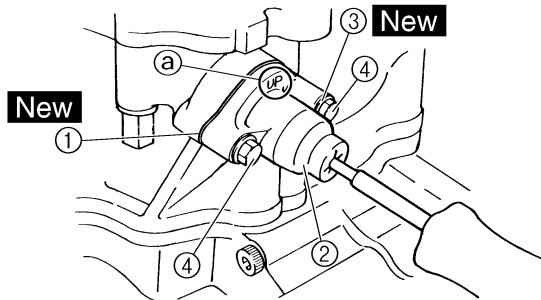
- While pressing the tensioner rod lightly with fingers, use a thin screwdriver and wind the tensioner rod up fully clockwise.



- With the rod fully wound and the chain tensioner UP mark "a" facing upward, install the gasket "1", the timing chain tensioner "2", and the gasket "3", and tighten the bolt "4" to the specified torque.



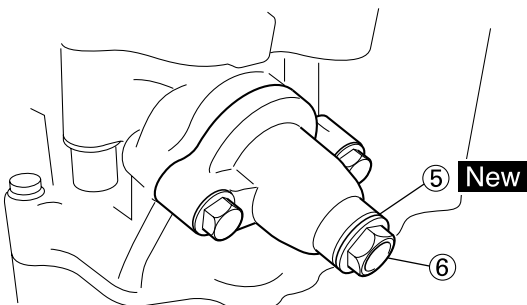
Bolt (timing chain tensioner):
10 Nm (1.0 m•kg, 7.2 ft•lb)



- Release the screwdriver, check the tensioner rod to come out and tighten the gasket "5" and the cap bolt "6" to the specified torque.



Tensioner cap bolt:
7 Nm (0.7 m•kg, 5.1 ft•lb)



3. Turn:

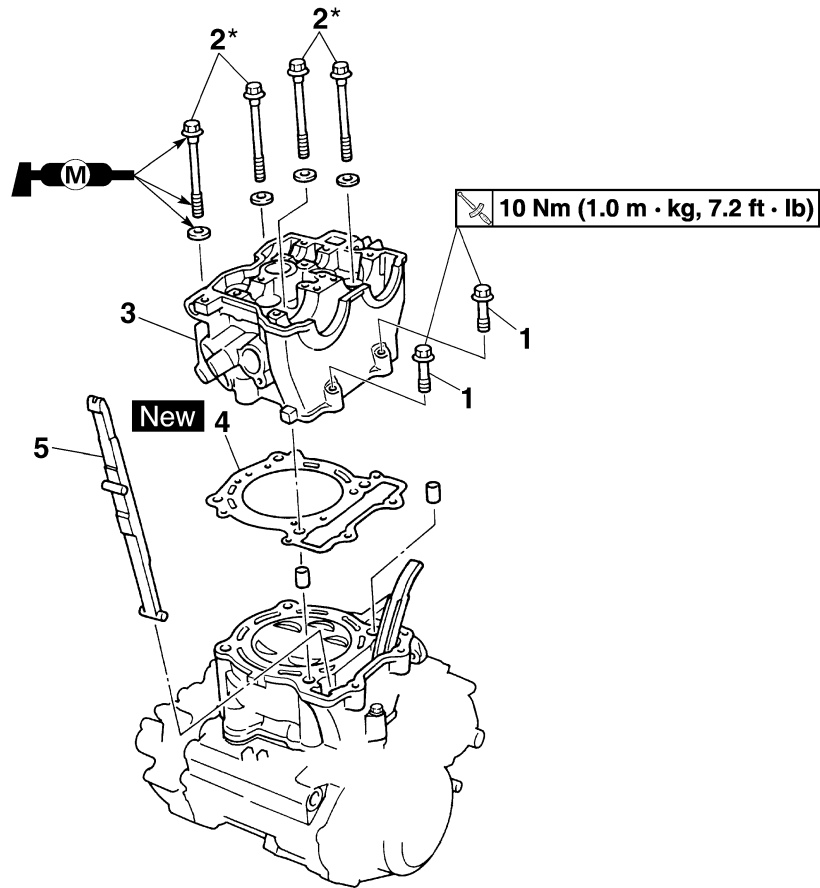
- Crankshaft
 Counterclockwise several turns.

4. Check:

- Rotor T.D.C. mark
 Align with the crankcase align mark.
- Camshaft match marks
 Align with the cylinder head surface.
 Out of alignment → Adjust.

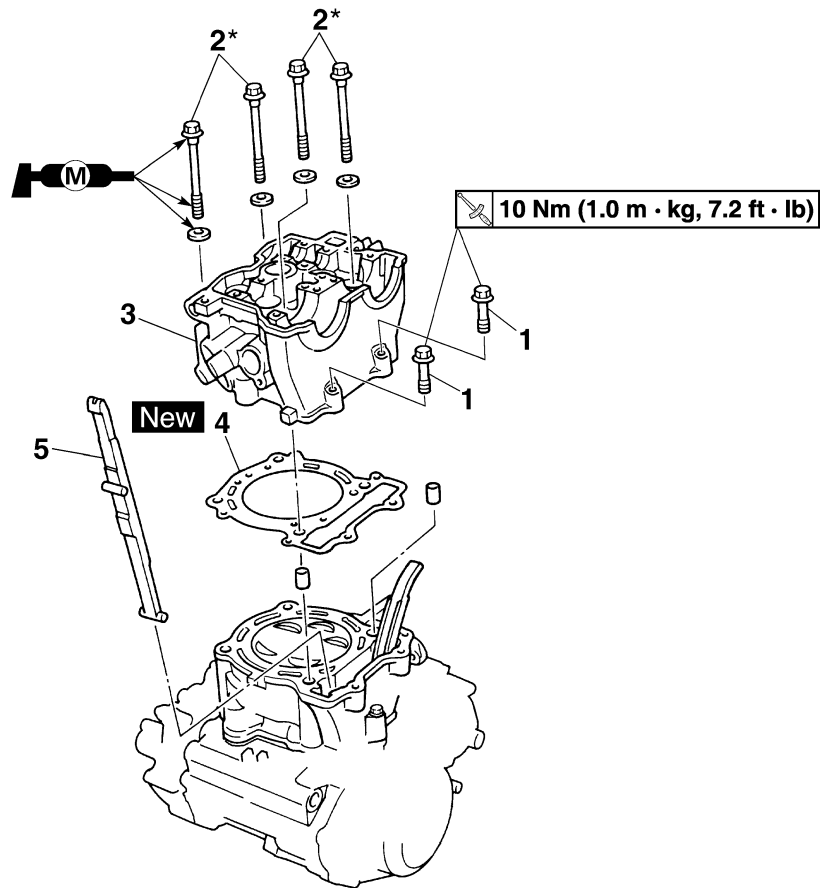
CYLINDER HEAD

REMOVING THE CYLINDER HEAD



Order	Part name	Q'ty	Remarks
	Seat and fuel tank		Refer to "REMOVING THE SEAT, FUEL TANK AND SIDE COVERS" section in the CHAPTER 3.
	Exhaust pipe and silencer		Refer to "REMOVING THE EX-HAUST PIPE AND SILENCER" section in the CHAPTER 3.
	Radiator		Refer to "RADIATOR" section.
	Air cut-off valve assembly		Refer to "AIR INDUCTION SYSTEM" section.
	Carburetor		Refer to "CARBURETOR" section.
	Camshaft		Refer to "CAMSHAFTS" section.
1	Bolt	2	
2*	Bolt	4	Refer to TIP.
3	Cylinder head	1	
4	Gasket	1	

CYLINDER HEAD



Order	Part name	Q'ty	Remarks
5	Timing chain guide (exhaust side)	1	

TIP

Tighten the cylinder head bolts to 30 Nm (3.0 m•kg, 22 ft•lb) in the proper tightening sequence, remove and retighten the cylinder head bolts to 20 Nm (2.0 m•kg, 14 ft•lb) in the proper tightening sequence, and then tighten the cylinder head bolts further to reach the specified angle 180° in the proper tightening sequence.

CHECKING THE CYLINDER HEAD

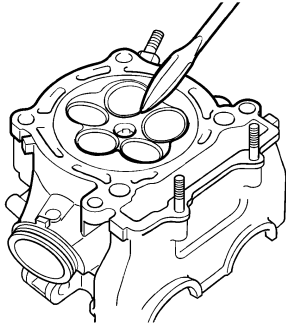
1. Eliminate:

- Carbon deposits (from the combustion chambers)
Use a rounded scraper.

TIP

Do not use a sharp instrument to avoid damaging or scratching:

- Spark plug threads
- Valve seats



2. Inspect:

- Cylinder head
Scratches/damage → Replace.

TIP

Replace the titanium valves with the cylinder head.

Refer to "CHECKING THE VALVE".

3. Measure:

- Cylinder head warpage
Out of specification → Resurface.



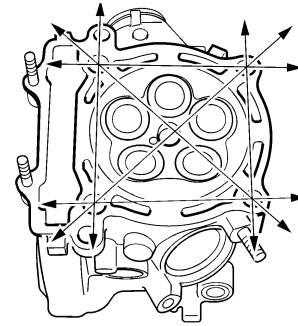
**Cylinder head warpage:
Less than 0.05 mm (0.002 in)**

Warpage measurement and resurfacing steps:

- Place a straightedge and a feeler gauge across the cylinder head.
- Use a feeler gauge to measure the warpage.
- If the warpage is out of specification, resurface the cylinder head.
- Place a 400–600 grit wet sandpaper on the surface plate, and resurface the head using a figure-eight sanding pattern.

TIP

To ensure an even surface rotate the cylinder head several times.



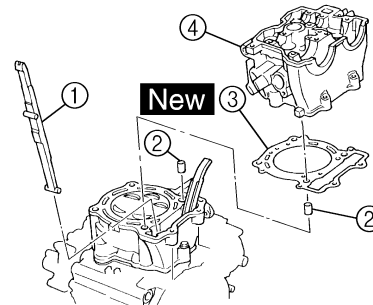
INSTALLING THE CYLINDER HEAD

1. Install:

- Timing chain guide (exhaust side) "1"
- Dowel pin "2"
- Cylinder head gasket "3" **New**
- Cylinder head "4"

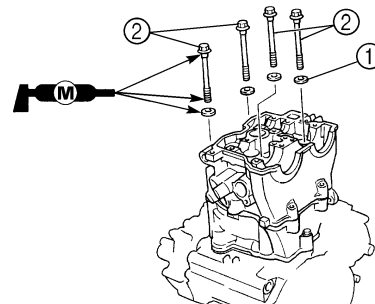
TIP

While pulling up the timing chain, install the timing chain guide (exhaust side) and cylinder head.



2. Install:

- Washer "1"
- Bolts "2"



Installation steps:

NOTICE

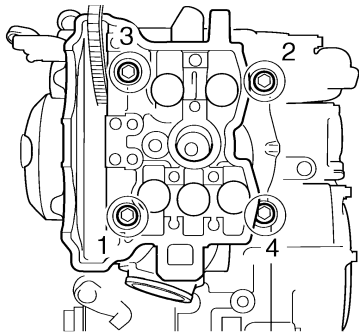
Tighten the cylinder head using the rotation angle procedure to obtain uniform tightening torque.

CYLINDER HEAD

- Wash the threads and contact surfaces of the bolts, the contact surfaces of the plain washers, the contact surface of the cylinder head, and the threads of the crankcase.
- Apply the molybdenum disulfide grease on the threads and contact surfaces of the bolts and on both contact surfaces of the plain washers.
- Install the plain washers and bolts.
- Tighten the bolts to the specified torque in two or three steps in the proper tightening sequence as shown.



Bolts (cylinder head):
1st:
30 Nm (3.0 m•kg, 22 ft•lb)



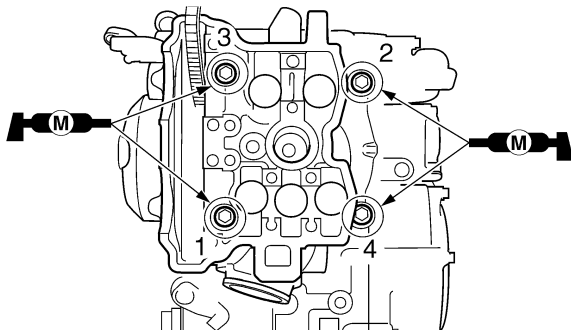
- Remove the bolts.
- Again apply the molybdenum disulfide grease on the threads and contact surfaces of the bolts and on both contact surfaces of the plain washers.
- Retighten the bolts.

TIP

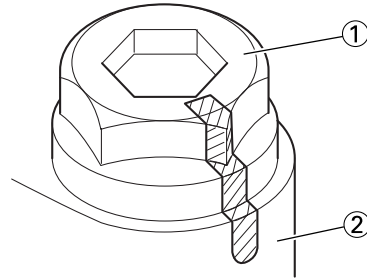
Tighten the bolts to the specified torque in two or three steps in the proper tightening sequence as shown.



Bolts (cylinder head):
2nd:
20 Nm (2.0 m•kg, 14 ft•lb)



- Put a mark on the corner "1" of the bolt (cylinder head) and the cylinder head "2" as shown.

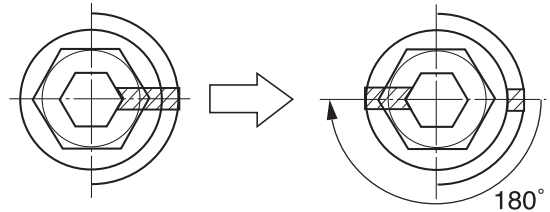


TIP

Tighten the bolts 90° in each of the two steps to reach the specified angle of 180° in the proper tightening sequence as shown.



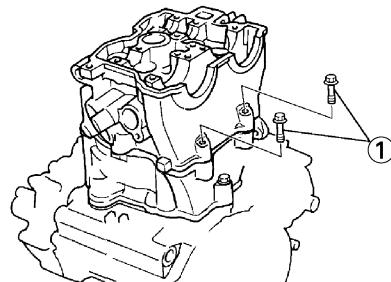
Bolts (cylinder head):
Final:
Specified angle 180°



- Install:
 - Bolt (cylinder head) "1"

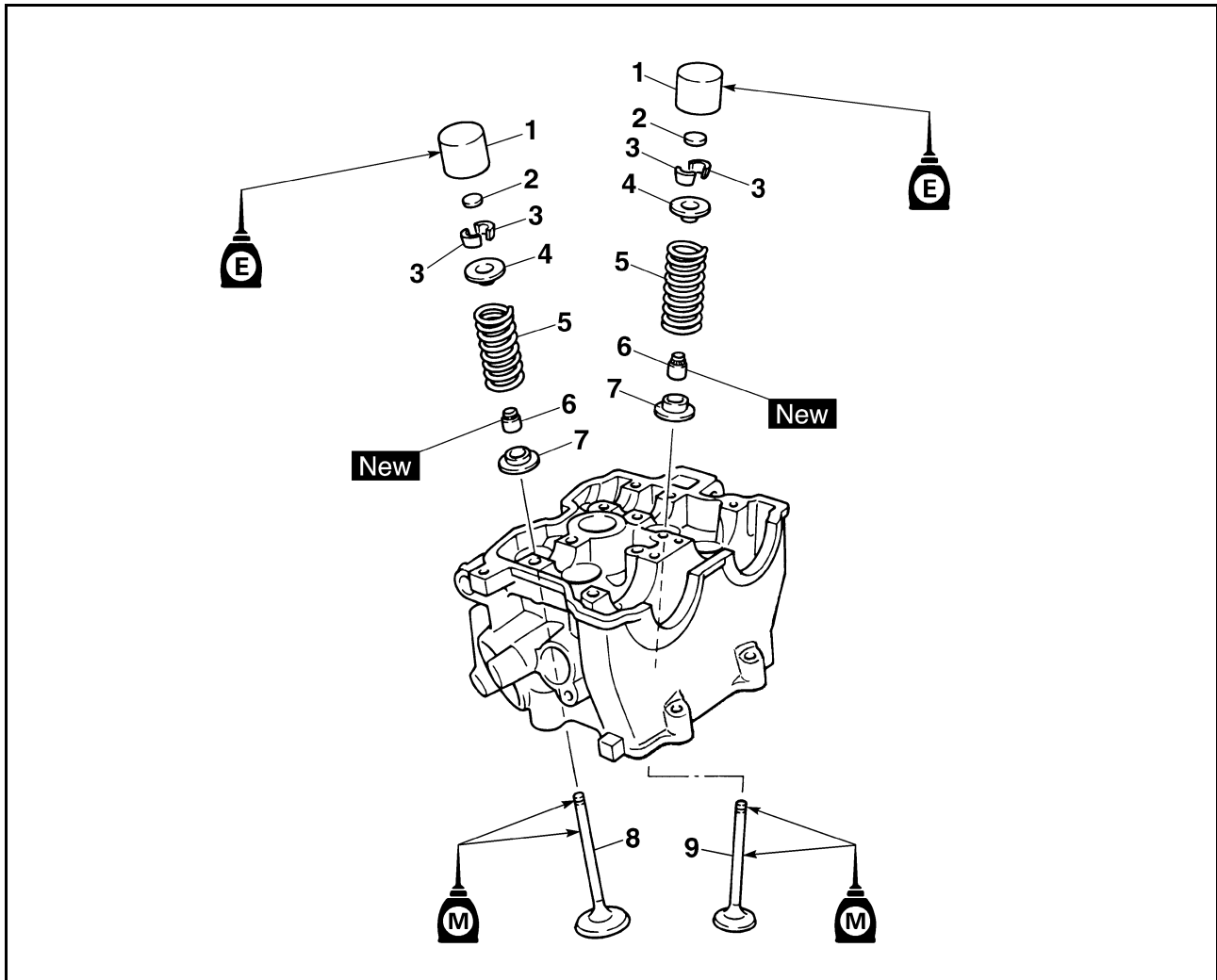


Bolt (cylinder head):
10 Nm (1.0 m•kg, 7.2 ft•lb)



VALVES AND VALVE SPRINGS

REMOVING THE VALVES AND VALVE SPRINGS



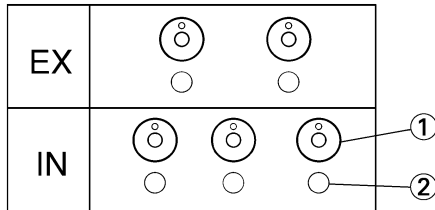
Order	Part name	Q'ty	Remarks
	Cylinder head		Refer to "CYLINDER HEAD" section.
1	Valve lifter	5	Refer to removal section.
2	Adjusting pad	5	Refer to removal section.
3	Valve cotter	10	Refer to removal section.
4	Valve spring retainer	5	
5	Valve spring	5	
6	Valve stem seal	5	
7	Valve spring seat	5	
8	Exhaust valve	2	
9	Intake valve	3	

REMOVING THE VALVE LIFTER AND VALVE COTTER

- Remove:
 - Valve lifter "1"
 - Pad "2"

TIP

Identify each lifter "1" and pad "2" position very carefully so that they can be reinstalled in their original place.



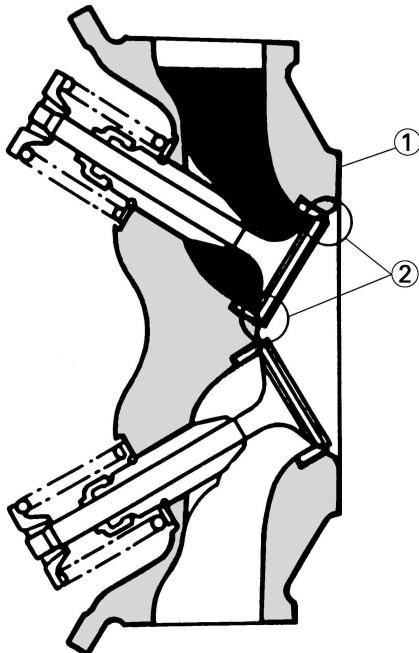
- Check:

- Valve sealing
Leakage at the valve seat → Inspect the valve face, valve seat and valve seat width.



Checking steps:

- Pour a clean solvent "1" into the intake and exhaust ports.
- Check that the valve seals properly. There should be no leakage at the valve seat "2".

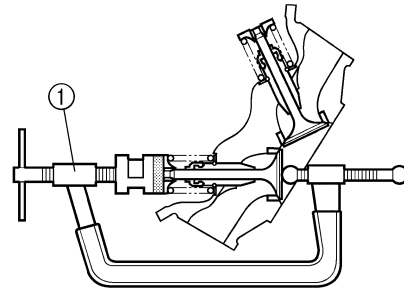


- Remove:
 - Valve cotter

TIP

Attach a valve spring compressor "1" between the valve spring retainer and the cylinder head to remove the valve cotters.

	Valve spring compressor: YM-4019/90890-04019
--	--



11171201

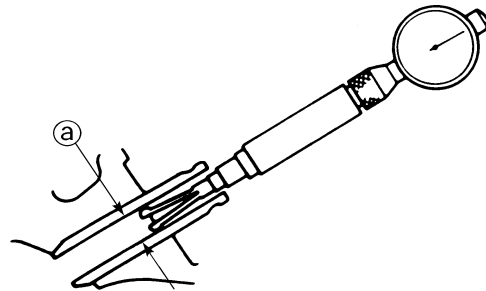
CHECKING THE VALVE

- Measure:
 - Stem-to-guide clearance

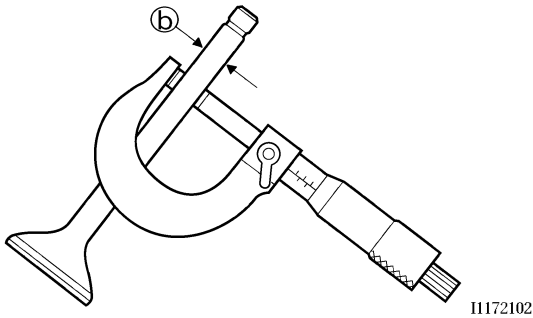
Stem-to-guide clearance = valve guide inside diameter "a" - valve stem diameter "b"

Out of specification → Replace the valve guide.

	Clearance (stem to guide):
	Intake:
	0.010–0.037 mm (0.0004–0.0015 in)
	<Limit>:0.08 mm (0.003 in)
	Exhaust:
	0.020–0.047 mm (0.0008–0.0019 in)
	<Limit>:0.10 mm (0.004 in)



VALVES AND VALVE SPRINGS



2. Replace:
- Valve guide

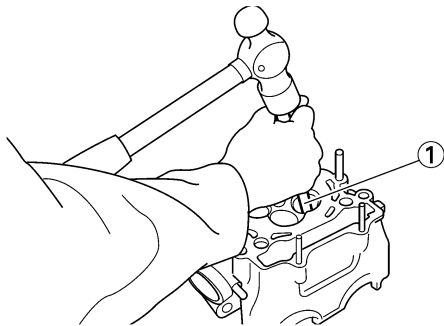


Replacement steps:

TIP

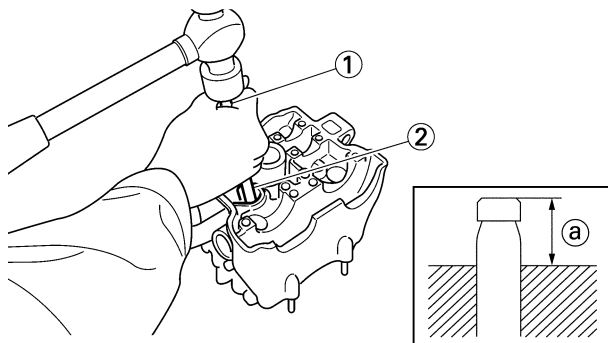
To ease guide removal, installation and to maintain correct fit heat the cylinder head in an oven to 100 °C (212 °F).

- a. Remove the valve guide using a valve guide remover "1".

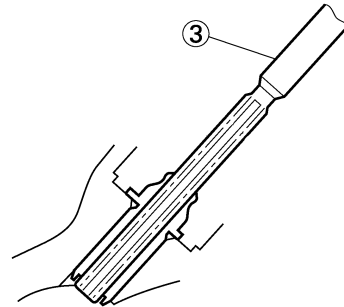


- b. Install the new valve guide using a valve guide remover "1" and valve guide installer "2".

	Valve guide installation height "a":
	Intake: 10.3–10.7 mm (0.41–0.42 in)
	Exhaust: 10.3–10.7 mm (0.41–0.42 in)



- c. After installing the valve guide, bore the valve guide using a valve guide reamer "3" to obtain proper stem-to-guide clearance.



I1170601

	Valve guide remover:
	Intake: 4.5 mm (0.18 in) YM-4116/90890-04116
	Exhaust: 5.0 mm (0.20 in) YM-4097/90890-04097
	Valve guide installer:
	Intake: YM-4117/90890-04117
	Exhaust: YM-4098/90890-04098
	Valve guide reamer:
	Intake: 4.5 mm (0.18 in) YM-4118/90890-04118
	Exhaust: 5.0 mm (0.20 in) YM-4099/90890-04099

TIP

After replacing the valve guide reface the valve seat.



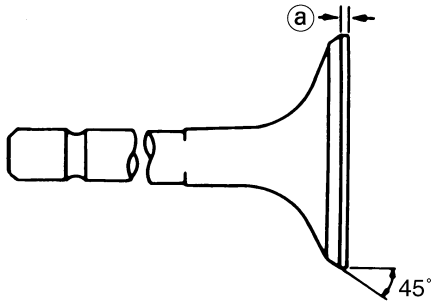
3. Inspect:

- Valve face
Pitting/wear → Grind the face.
- Valve stem end
Mushroom shape or diameter larger than the body of the stem → Replace.

4. Measure:

- Margin thickness "a"
Out of specification → Replace.

	Margin thickness:
	Intake: 1.0 mm (0.039 in) <Limit>: 0.85 mm (0.033 in)
	Exhaust: 1.0 mm (0.039 in) <Limit>: 0.85 mm (0.033 in)



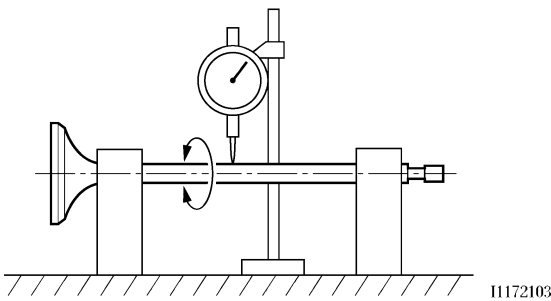
5. Measure:

- Runout (valve stem)
Out of specification → Replace.

	Runout limit: 0.01 mm (0.0004 in)
--	--

TIP

- When installing a new valve always replace the guide.
- If the valve is removed or replaced always replace the oil seal.



I1172103

6. Eliminate:

- Carbon deposits
(from the valve face and valve seat)

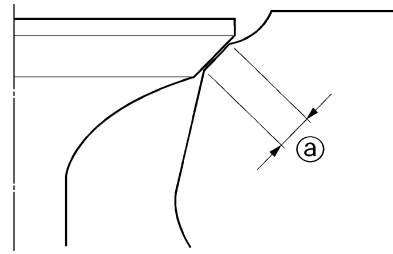
7. Inspect:

- Valve seat
Pitting/wear → Reface the valve seat.

8. Measure:

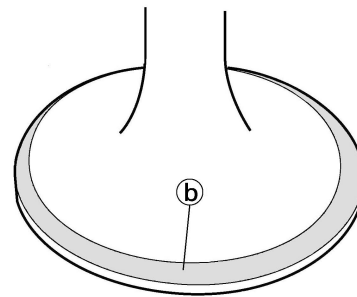
- Valve seat width "a"
Out of specification → Reface the valve seat.

	Valve seat width:
	Intake:
	0.9–1.1 mm (0.0354–0.0433 in)
	<Limit>: 1.6 mm (0.0630 in)
	Exhaust:
	0.9–1.1 mm (0.0354–0.0433 in)
	<Limit>: 1.6 mm (0.0630 in)



Measurement steps:

- a. Apply Mechanic's blueing dye (Dykem) "b" to the valve face.



I1171601

- b. Install the valve into the cylinder head.
c. Press the valve through the valve guide and onto the valve seat to make a clear pattern.
d. Measure the valve seat width. Where the valve seat and valve face made contact, blueing will have been removed.
e. If the valve seat is too wide, too narrow, or the seat is not centered, the valve seat must be refaced.



9. Lap:

- Valve face
- Valve seat

NOTICE

This model uses titanium intake and exhaust valves. Titanium valves that have been used to lap the valve seats must not be used. Always replace lapped valves with new valves.

TIP

- When replacing the cylinder head, replace the valves without lapping the valve seats and valve faces.
- When replacing the valves or valve guides, use new valves to lap the valve seats, and then replace them with new valves.

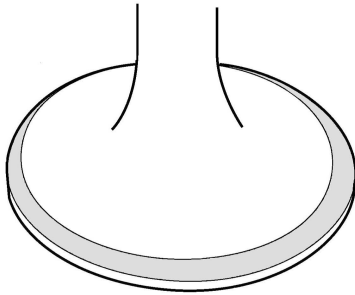


Lapping steps:

- a. Apply a coarse lapping compound to the valve face.

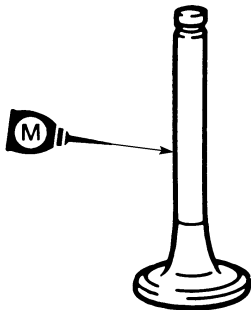
NOTICE

Do not let the compound enter the gap between the valve stem and the guide.



11171601

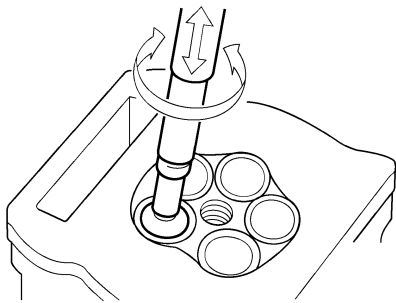
- b. Apply molybdenum disulfide oil to the valve stem.



- c. Install the valve into the cylinder head.
- d. Turn the valve until the valve face and valve seat are evenly polished, then clean off all of the compound.

TIP

For best lapping results, lightly tap the valve seat while rotating the valve back and forth between your hands.



- e. Apply a fine lapping compound to the valve face and repeat the above steps.

TIP

After every lapping operation be sure to clean off all of the compound from the valve face and valve seat.

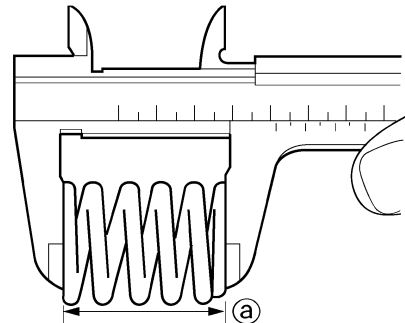
- f. Apply Mechanic's blueing dye (Dykem) to the valve face.
- g. Install the valve into the cylinder head.
- h. Press the valve through the valve guide and onto the valve seat to make a clear pattern.
- i. Measure the valve seat width again. If the valve seat width is out of specification, reface and relap the valve seat.



CHECKING THE VALVE SPRINGS

1. Measure:
 - Valve spring free length "a"
 - Out of specification → Replace.

	Free length (valve spring):
	Intake:
	39.46 mm (1.55 in)
	<Limit>: 38.46 mm (1.51 in)
	Exhaust:
	37.61 mm (1.48 in)
	<Limit>: 36.61 mm (1.44 in)

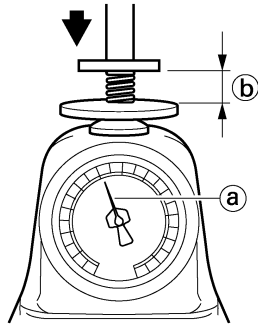


11171902

2. Measure:
 - Compressed spring force "a"
 - Out of specification → Replace.

	Compressed spring force:
	Intake:
	130.2–149.8 N at 27.87 mm
	(13.28–15.28 kg at 27.87 mm,
	29.27–33.68 lb at 1.10 in)
	Exhaust:
123.1–141.7 N at 28.38 mm	
(12.55–14.45 kg at 28.38 mm,	
27.67–31.85 lb at 1.12 in)	

VALVES AND VALVE SPRINGS



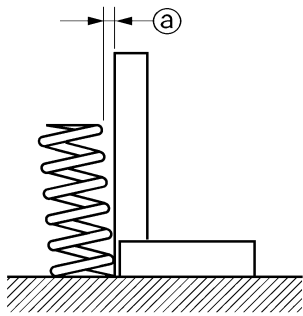
11171904

b. Installed length

3. Measure:

- Spring tilt "a"
- Out of specification → Replace.

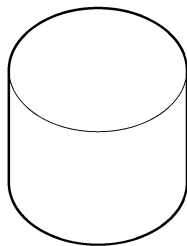
	Spring tilt limit:
	Intake: 2.5°/1.7 mm (0.067 in)
	Exhaust: 2.5°/1.6 mm (0.063 in)



CHECKING THE VALVE LIFTERS

1. Inspect:

- Valve lifter
- Scratches/damage → Replace both lifters and cylinder head.



11170701

INSTALLING THE VALVES

1. Apply:

- Molybdenum disulfide oil
- Onto the valve stem and valve stem seal.

2. Install:

- Valves "1"
- Valve spring seats "2"
- Valve stem seals "3" **New**

- Valve springs "4"
- Valve spring retainers "5"

TIP

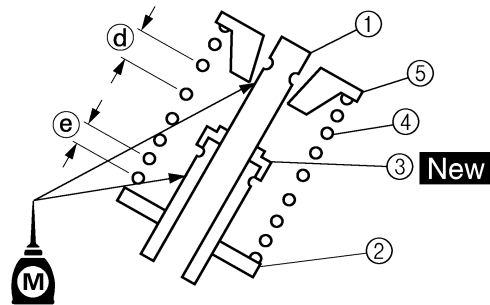
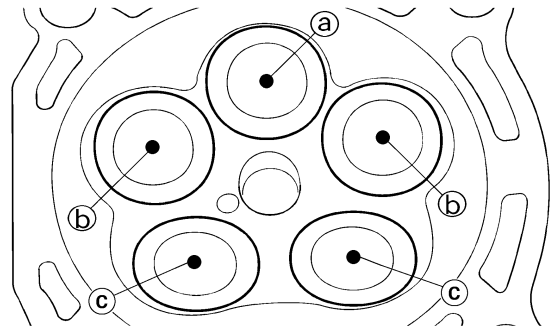
- Make sure that each valve is installed in its original place, also referring to the painted color as follows.

Intake (middle) "a": blue

Intake (right/left) "b": gray

Exhaust "c": Brown

- Install the valve springs with the larger pitch "d" facing upward.



e. Smaller pitch

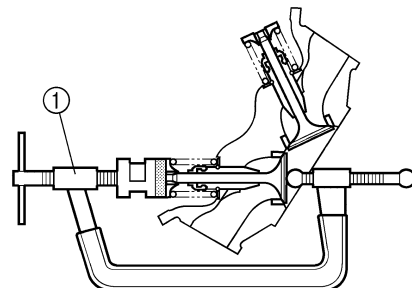
3. Install:

- Valve cotters

TIP

While compressing the valve spring with a valve spring compressor "1" install the valve cotters.

	Valve spring compressor:
	YM-4019/90890-04019

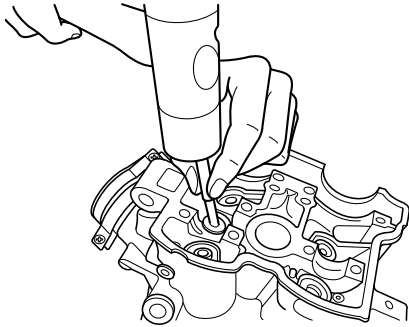


11171201

- To secure the valve cotters onto the valve stem, lightly tap the valve tip with a piece of wood.

NOTICE

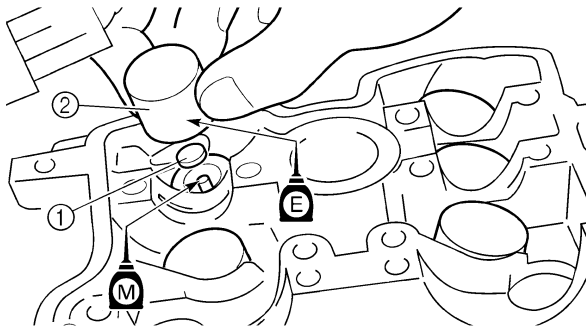
Hitting the valve tip with excessive force could damage the valve.



- Install:
 - Adjusting pad "1"
 - Valve lifter "2"

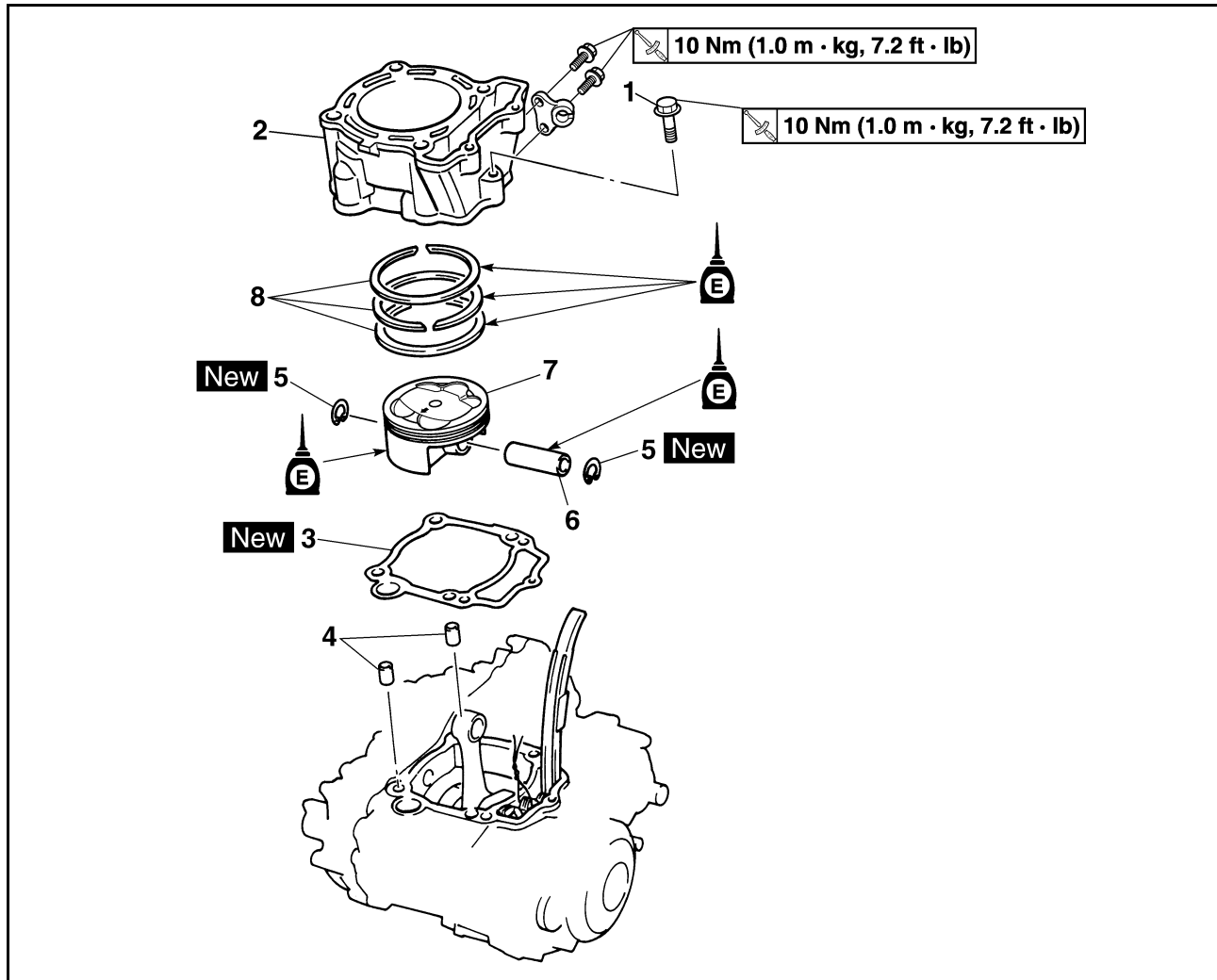
TIP

- Apply the molybdenum disulfide oil on the valve stem end.
 - Apply the engine oil on the valve lifters.
 - Valve lifter must turn smoothly when rotated with a finger.
 - Be careful to reinstall valve lifters and pads in their original place.
-



CYLINDER AND PISTON

REMOVING THE CYLINDER AND PISTON



Order	Part name	Q'ty	Remarks
	Cylinder head		Refer to "CYLINDER HEAD" section.
1	Bolt (cylinder)	1	
2	Cylinder	1	
3	Gasket	1	
4	Dowel pin	2	
5	Piston pin clip	2	Refer to removal section.
6	Piston pin	1	Refer to removal section.
7	Piston	1	Refer to removal section.
8	Piston ring set	1	Refer to removal section.

REMOVING THE PISTON AND PISTON RING

1. Remove:

- Piston pin clip "1"
- Piston pin "2"
- Piston "3"

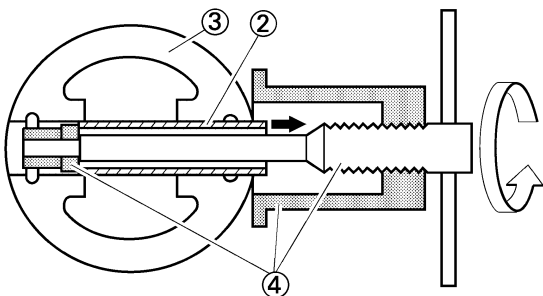
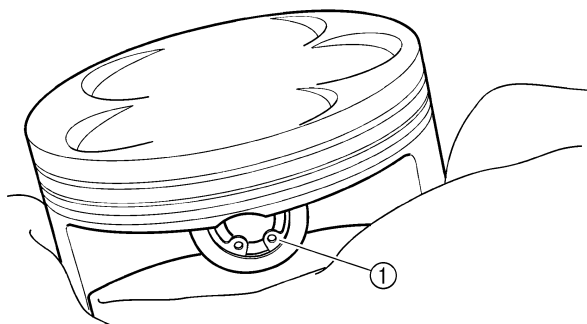
TIP

- Put identification marks on each piston head for reference during reinstallation.
- Before removing each piston pin, deburr the clip groove and pin hole area. If the piston pin groove is deburred and the piston pin is still difficult to remove, use the piston pin puller set "4".

	Piston pin puller set: YU-1304/90890-01304
---	---

NOTICE

Do not use a hammer to drive the piston pin out.

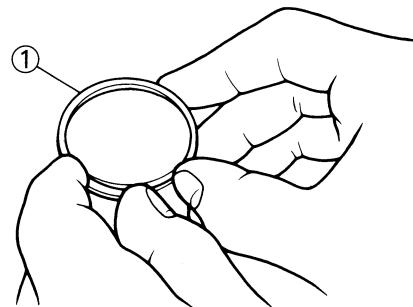


2. Remove:

- Piston ring "1"

TIP

Spread the end gaps apart while at the same time lifting the piston ring over the top of the piston crown, as shown in the illustration.



CHECKING THE CYLINDER AND PISTON

1. Inspect:

- Cylinder and piston walls
Vertical scratches → Replace cylinder and piston.

2. Measure:

- Piston-to-cylinder clearance



Measurement steps:

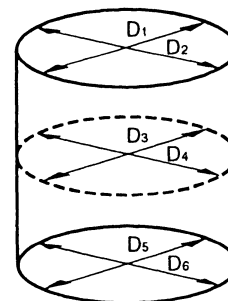
- Measure the cylinder bore "C" with a cylinder bore gauge.

TIP

Measure the cylinder bore "C" in parallel to and at right angles to the crankshaft. Then, find the average of the measurements.

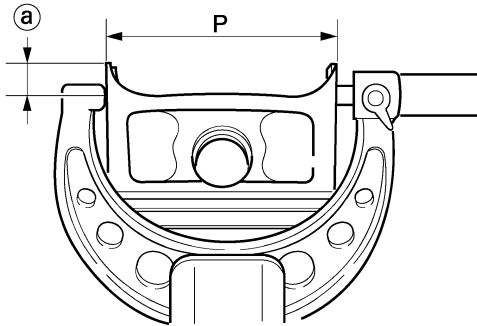
Cylinder bore "C"	95.00–95.01 mm (3.7402–3.7406 in)
Taper limit "T"	0.05 mm (0.002 in)
Out of round "R"	0.05 mm (0.002 in)

"C" = Maximum D
"T" = (Maximum D₁ or D₂) - (Maximum D₅ or D₆)
"R" = (Maximum D₁, D₃ or D₅) - (Minimum D₂, D₄ or D₆)



11210102

- If out of specification, replace the cylinder, and replace the piston and piston rings as set.
- Measure the piston skirt diameter "P" with a micrometer.




a. 8 mm (0.31 in) from the piston bottom edge

	Piston size "P"
Standard	94.965–94.980 mm (3.7388–3.7394 in)

- d. If out of specification, replace the piston and piston rings as a set.
 e. Calculate the piston-to-cylinder clearance with following formula:

Piston-to-cylinder clearance = Cylinder bore "C" - Piston skirt diameter "P"

	Piston-to-cylinder clearance: 0.020–0.045 mm (0.0008–0.0018 in) <Limit>:0.1 mm (0.004 in)
--	--

- f. If out of specification, replace the cylinder, and replace the piston and piston rings as set.




CHECKING THE PISTON RING

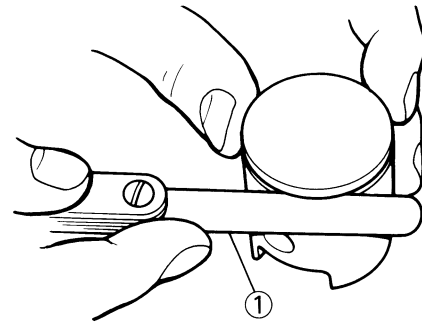
1. Measure:

- Ring side clearance
Use a feeler gauge "1".
Out of specification → Replace the piston and rings as a set.

TIP

Clean carbon from the piston ring grooves and rings before measuring the side clearance.

	Side clearance:	
	Standard	<Limit>
Top ring	0.030–0.065 mm (0.0012–0.0026 in)	0.12 mm (0.005 in)
2nd ring	0.020–0.055 mm (0.0008–0.0022 in)	0.12 mm (0.005 in)

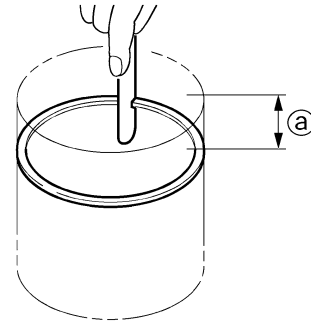


2. Position:

- Piston ring (in cylinder)

TIP

Insert a ring into the cylinder and push it approximately 10 mm (0.39 in) into the cylinder. Push the ring with the piston crown so that the ring will be at a right angle to the cylinder bore.



11221401


a. 10 mm (0.39 in)

3. Measure:

- Ring end gap
Out of specification → Replace.

TIP

You cannot measure the end gap on the expander spacer of the oil control ring. If the oil control ring rails show excessive gap, replace all three rings.


	End gap:	
	Standard	<Limit>
Top ring	0.20–0.30 mm (0.008–0.012 in)	0.55 mm (0.022 in)
2nd ring	0.35–0.50 mm (0.014–0.020 in)	0.85 mm (0.033 in)
Oil ring	0.20–0.50 mm (0.01–0.02 in)	—

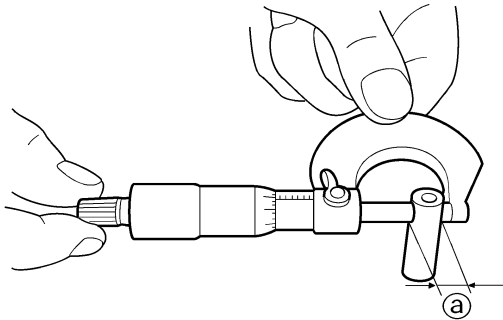
CHECKING THE PISTON PIN

- Inspect:
 - Piston pin
 - Blue discoloration/grooves → Replace, then inspect the lubrication system.
- Measure:
 - Piston pin-to-piston clearance


Measurement steps:

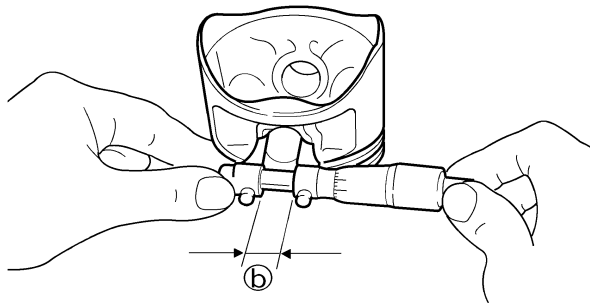
- Measure the outside diameter (piston pin) "a".
If out of specification, replace the piston pin.

	Outside diameter (piston pin): 17.991–18.000 mm (0.7083–0.7087 in)
---	---



- Measure the inside diameter (piston) "b".


	Inside diameter (piston): 18.004–18.015 mm (0.7088–0.7093 in)
---	--



- Calculate the piston pin-to-piston clearance with the following formula.

Piston pin-to-piston clearance = Inside diameter (piston) "b" - Outside diameter (piston pin) "a"
--

- If out of specification, replace the piston.

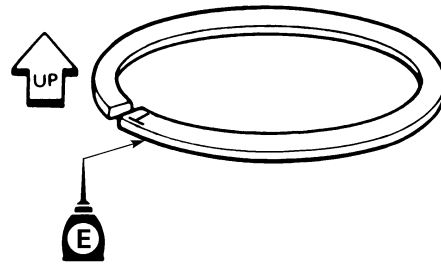
	Piston pin-to-piston clearance: 0.004–0.024 mm (0.00016–0.00094 in) <Limit>:0.07 mm (0.003 in)
---	---

INSTALLING THE PISTON RING AND PISTON

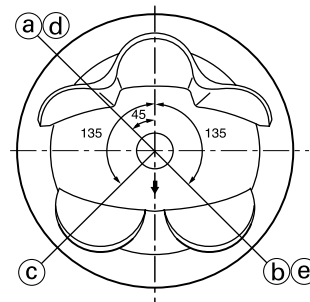
- Install:
 - Piston ring
 - Onto the piston.

TIP

- Be sure to install the piston rings so that the manufacturer's marks or numbers are located on the upper side of the rings.
- Lubricate the piston and piston rings liberally with engine oil.



- Position:
 - Top ring
 - 2nd ring
 - Oil ring
 Offset the piston ring end gaps as shown.



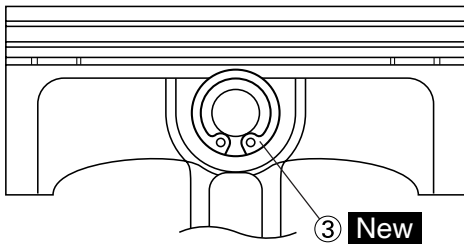
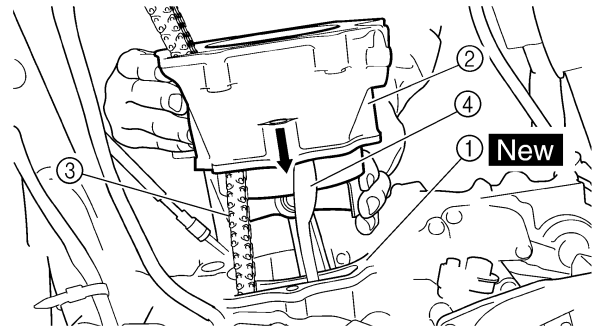
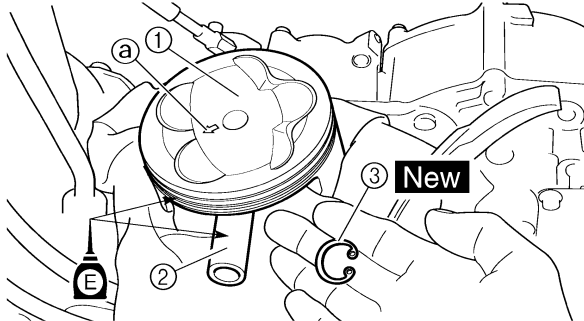
- Top ring end
- 2nd ring end
- Oil ring end (upper)
- Oil ring
- Oil ring end (lower)

- Install:
 - Piston "1"
 - Piston pin "2"
 - Piston pin clip "3" **New**

TIP

- Apply engine oil onto the piston pin and piston.
- Be sure that the arrow mark "a" on the piston points to the exhaust side of the engine.

- Before installing the piston pin clip, cover the crankcase with a clean rag to prevent the piston pin clip from falling into the crankcase.
- Install the piston pin clips with their ends facing downward.



INSTALLING THE CYLINDER

1. Install:

- Dowel pins
- Cylinder gasket "1" **New**
- Cylinder "2"

TIP

Install the cylinder with one hand while compressing the piston rings with the other hand.

NOTICE

- Pass the timing chain "3" through the timing chain cavity.
- Be careful not to damage the timing chain guide "4" during installation.

2. Install:

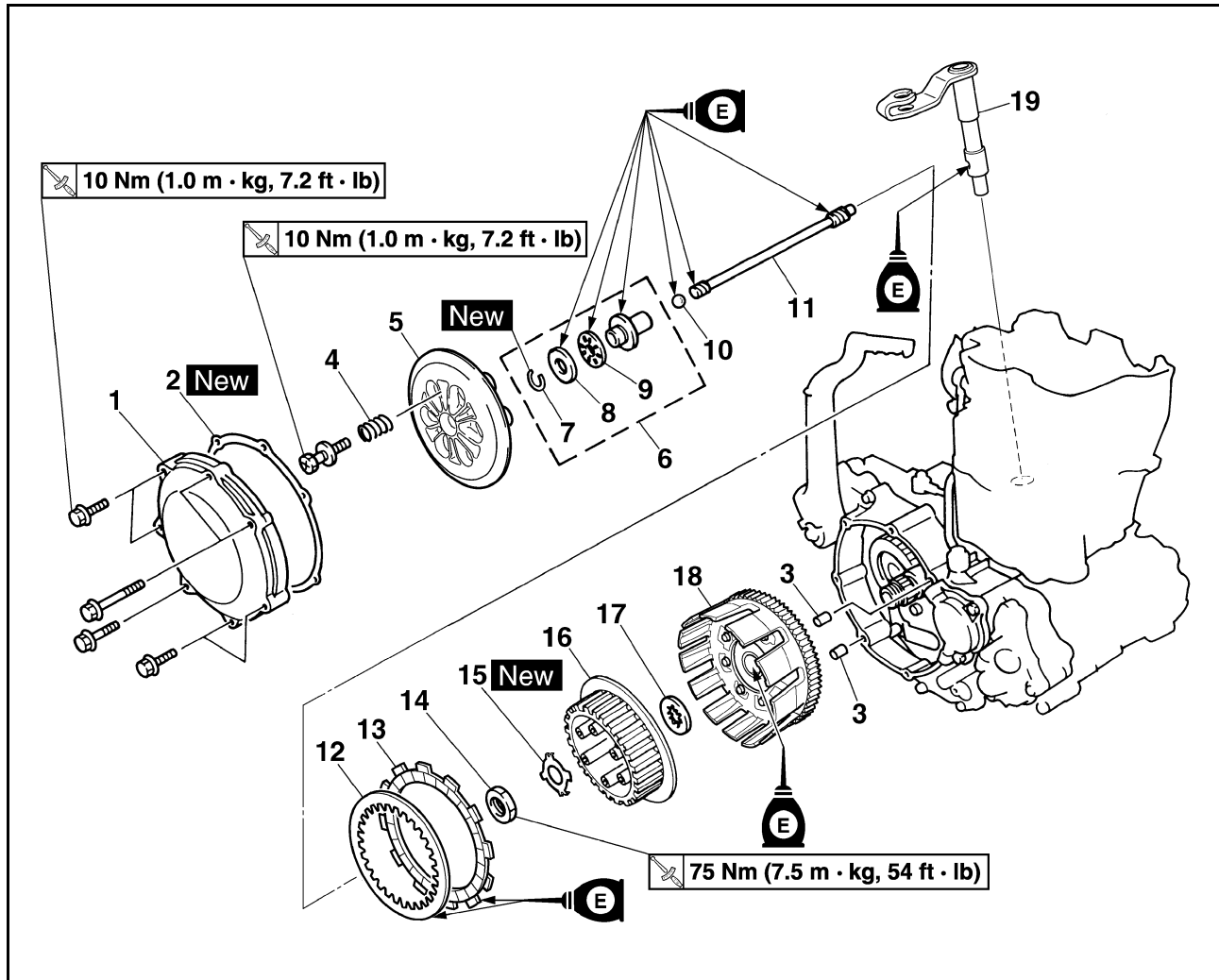
- Bolt (cylinder)



Bolt (cylinder):
10 Nm (1.0 m•kg, 7.2 ft•lb)

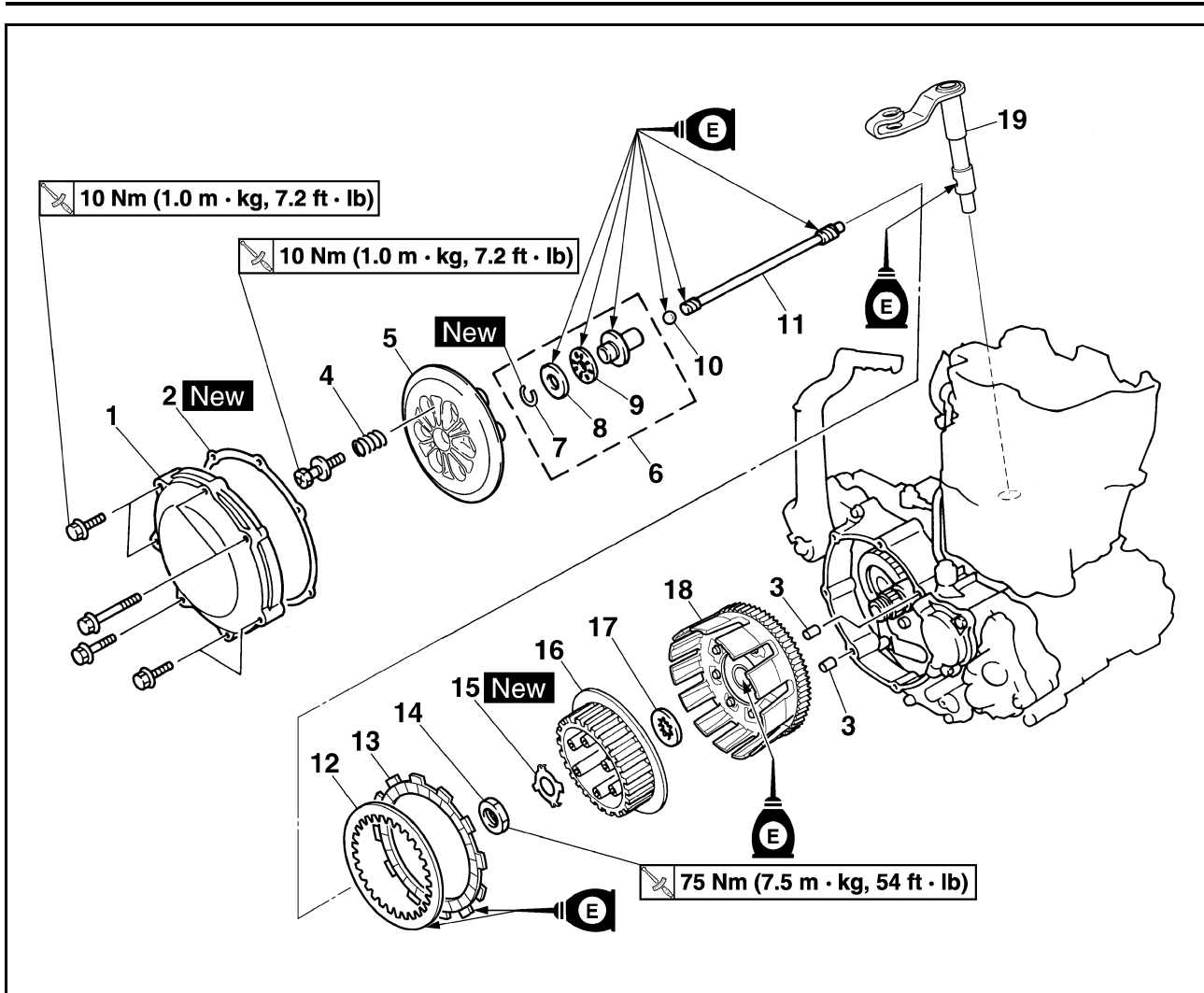
CLUTCH

REMOVING THE CLUTCH



Order	Part name	Q'ty	Remarks
	Drain the engine oil.		Refer to "CHANGING THE ENGINE OIL" section in the CHAPTER 3.
	Brake pedal		Refer to "ENGINE REMOVAL" section.
	Clutch cable		Disconnect at engine side.
1	Clutch cover	1	
2	Gasket	1	
3	Dowel pin	2	
4	Clutch spring	6	
5	Pressure plate	1	
6	Push rod 1	1	
7	Circlip	1	
8	Washer	1	
9	Bearing	1	
10	Ball	1	

CLUTCH



Order	Part name	Q'ty	Remarks
11	Push rod 2	1	
12	Clutch plate	7	
13	Friction plate	8	
14	Nut (clutch boss)	1	Refer to removal section.
15	Lock washer	1	Refer to removal section.
16	Clutch boss	1	Refer to removal section.
17	Thrust washer	1	
18	Primary driven gear	1	
19	Push lever shaft	1	

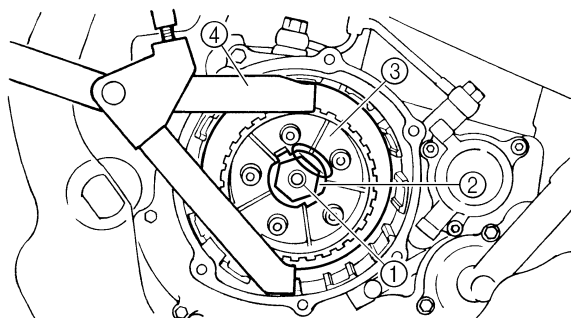
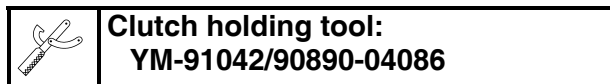
REMOVING THE CLUTCH BOSS

1. Remove:

- Nut "1"
- Lock washer "2"
- Clutch boss "3"

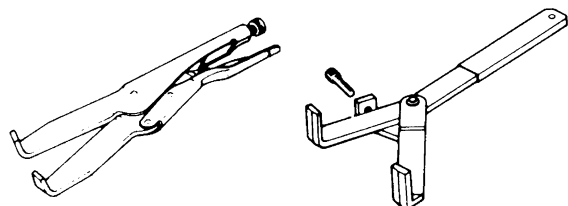
TIP

Straighten the lock washer tab and use the clutch holding tool "4" to hold the clutch boss.



A

B



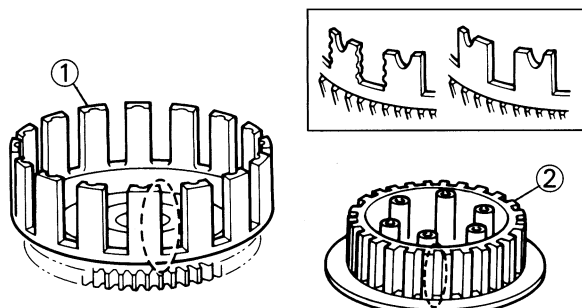
A. For USA and CDN

B. Except for USA and CDN

CHECKING THE CLUTCH HOUSING AND BOSS

1. Inspect:

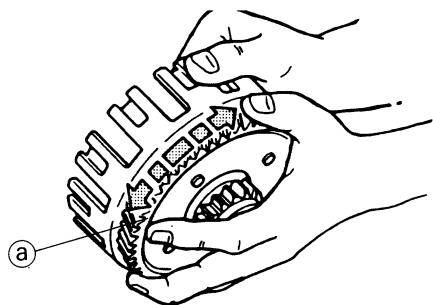
- Clutch housing "1"
Cracks/wear/damage → Replace.
- Clutch boss "2"
Scoring/wear/damage → Replace.



CHECKING THE PRIMARY DRIVEN GEAR

1. Check:

- Circumferential play
Free play exists → Replace.
- Gear teeth "a"
Wear/damage → Replace.

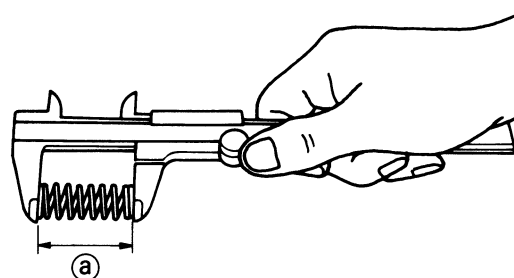
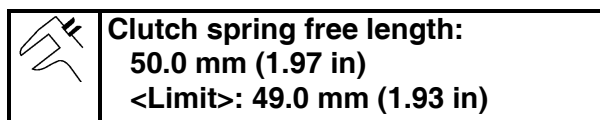


311-021

CHECKING THE CLUTCH SPRINGS

1. Measure:

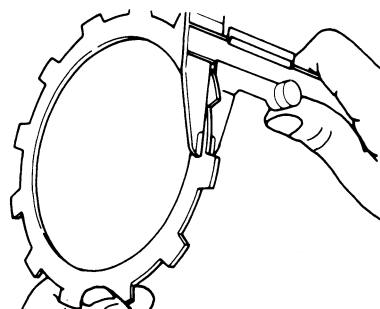
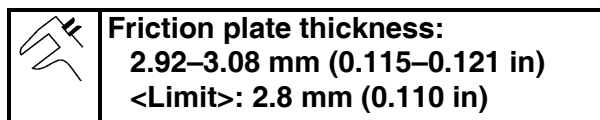
- Clutch spring free length "a"
Out of specification → Replace springs as a set.



CHECKING THE FRICTION PLATES

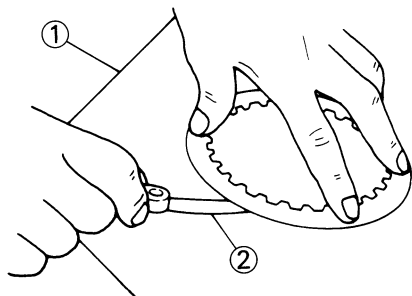
1. Measure:

- Friction plate thickness
Out of specification → Replace friction plate as a set.
Measure at all four points.



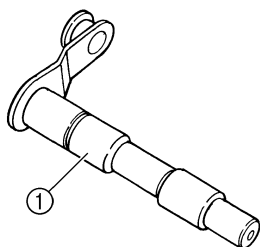
CHECKING THE CLUTCH PLATES

- Measure:
 - Clutch plate warpage
Out of specification → Replace clutch plate as a set.
Use a surface plate "1" and thickness gauge "2".



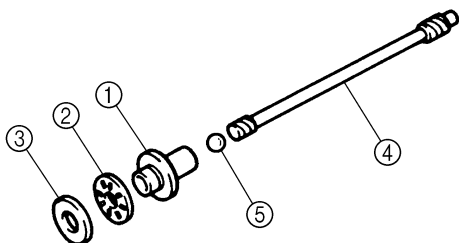
CHECKING THE PUSH LEVER SHAFT

- Inspect:
 - Push lever shaft "1"
Wear/damage → Replace.



CHECKING THE PUSH ROD

- Inspect:
 - Push rod 1 "1"
 - Bearing "2"
 - Washer "3"
 - Push rod 2 "4"
 - Ball "5"
 - Wear/damage/bend → Replace.

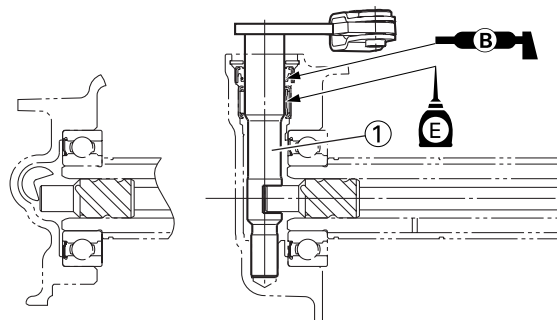


INSTALLING THE PUSH LEVER SHAFT

- Install:
 - Push lever shaft "1"

TIP

- Apply the lithium soap base grease on the oil seal lip.
- Apply the engine oil on the push lever shaft.

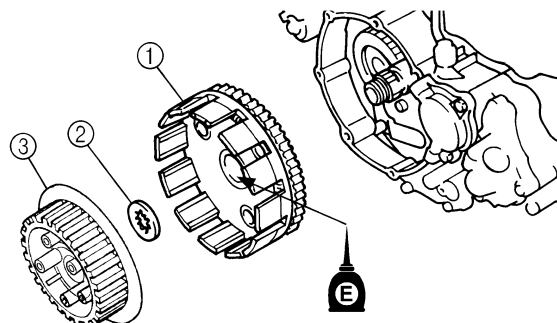


INSTALLING THE CLUTCH

- Install:
 - Primary driven gear "1"
 - Thrust washer "2"
 - Clutch boss "3"

TIP

Apply the engine oil on the primary driven gear inner circumference.



- Install:
 - Lock washer "1" **New**
 - Nut (clutch boss) "2"



Nut (clutch boss): 75 Nm (7.5 m•kg, 54 ft•lb)
--

NOTICE

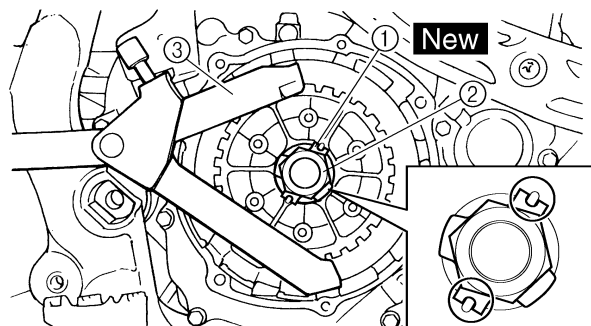
Make sure to tighten to specification; otherwise, it may damage the other part that is fastened together.

TIP

- Install the lock washer with its concaves fitted over the convexes of the clutch boss.
- Use the clutch holding tool "3" to hold the clutch boss.

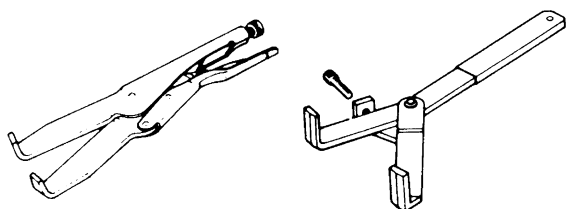


**Clutch holding tool:
YM-91042/90890-04086**



A

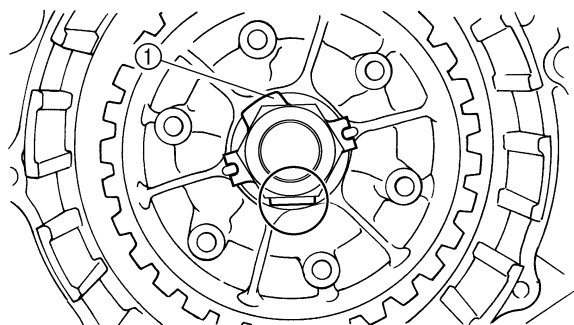
B



A. For USA and CDN

B. Except for USA and CDN

3. Bend the lock washer "1" tab.

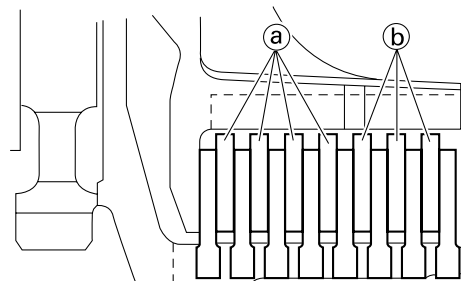
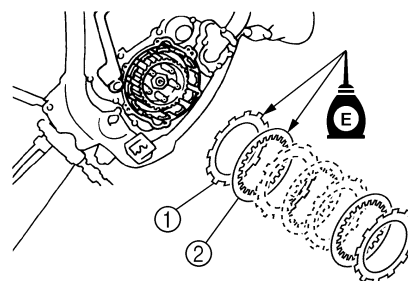


4. Install:

- Friction plate "1"
- Clutch plate 1 [t=2.0 mm (0.079 in)] "2"
- Clutch plate 2 [t=1.6 mm (0.063 in)] "3"

TIP

- Install the clutch plates and friction plates alternately on the clutch boss, starting with a friction plate and ending with a friction plate.
- Apply the engine oil on the friction plates and clutch plates.
- Check the clutch plate for thickness and install 4 thicker ones "a" on the engine side and 3 thinner ones "b" on the outside.

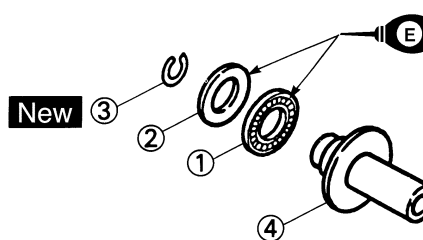


5. Install:

- Bearing "1"
 - Washer "2"
 - Circlip "3" **New**
- To push rod 1 "4".

TIP

Apply the engine oil on the bearing and washer.

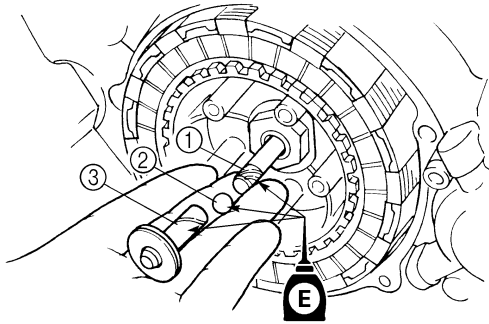


6. Install:

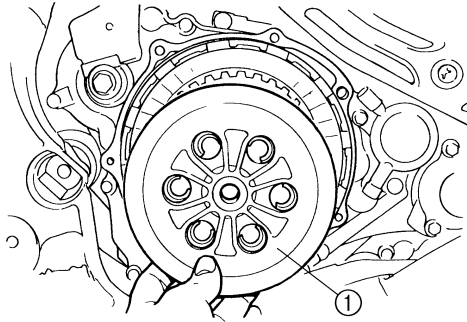
- Push rod 2 "1"
- Ball "2"
- Push rod 1 "3"

TIP


Apply the engine oil on the push rod 1, 2 and ball.



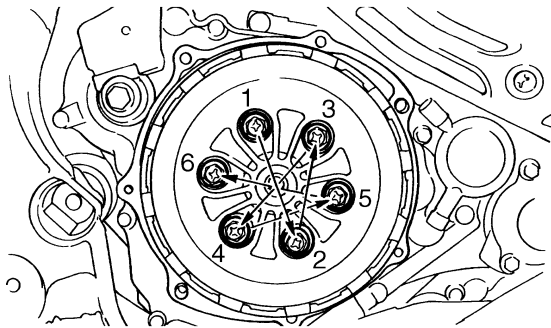
7. Install:
- Pressure plate "1"



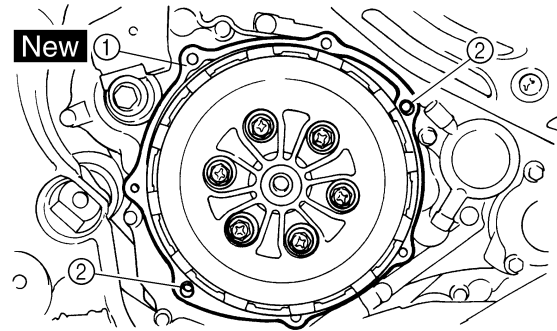
8. Install:
- Clutch spring
 - Bolt (clutch spring)

	Bolt (clutch spring): 10 Nm (1.0 m•kg, 7.2 ft•lb)
---	---

TIP
Tighten the bolts in stage, using a crisscross pattern.



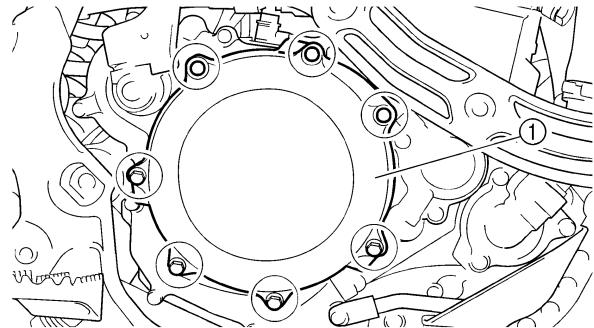
9. Install:
- Gasket (clutch cover) "1" **New**
 - Dowel pin "2"



10. Install:
- Clutch cover "1"
 - Bolt (clutch cover)

	Bolt (clutch cover): 10 Nm (1.0 m•kg, 7.2 ft•lb)
---	--

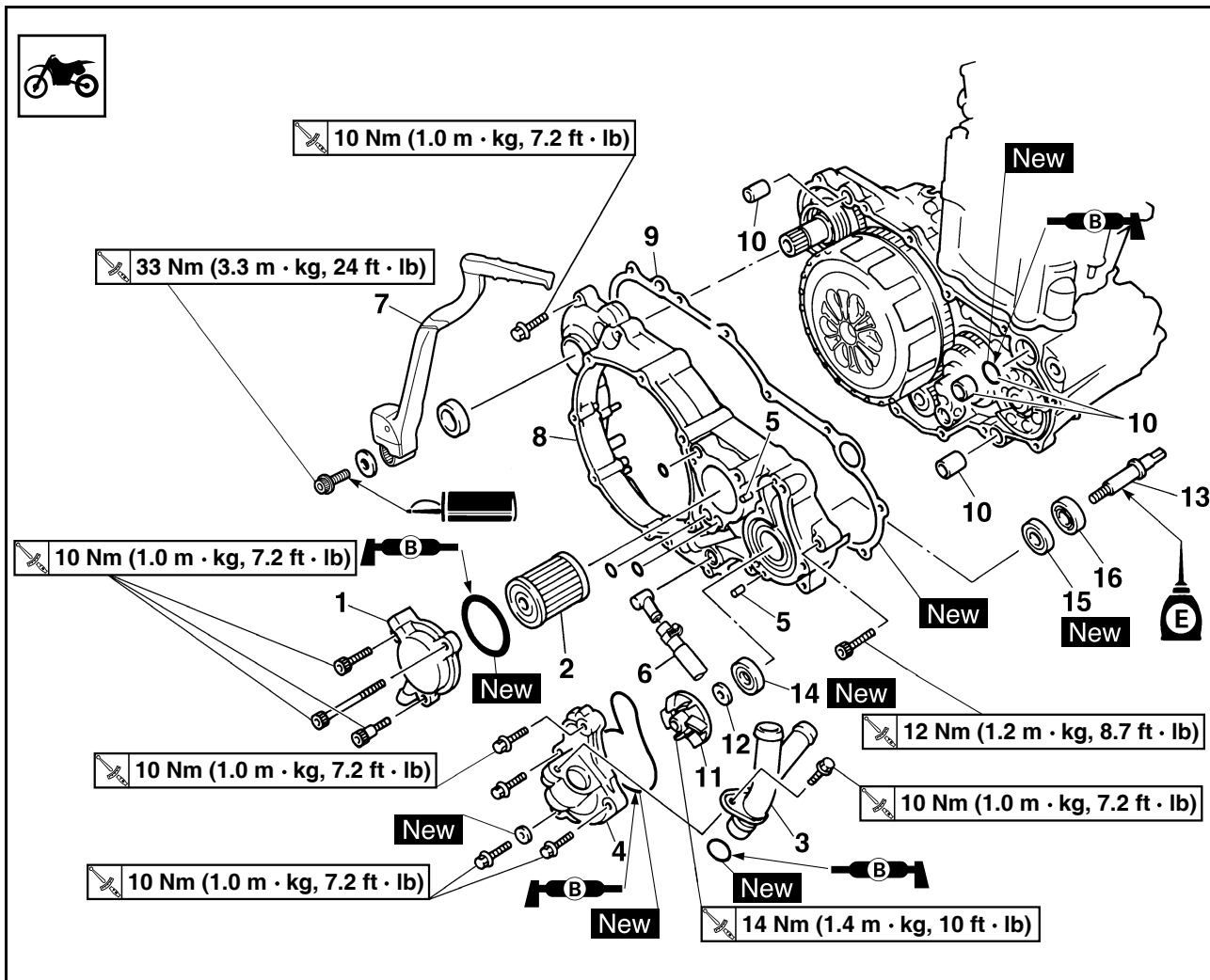
TIP
Tighten the bolts in stage, using a crisscross pattern.



OIL FILTER ELEMENT AND WATER PUMP

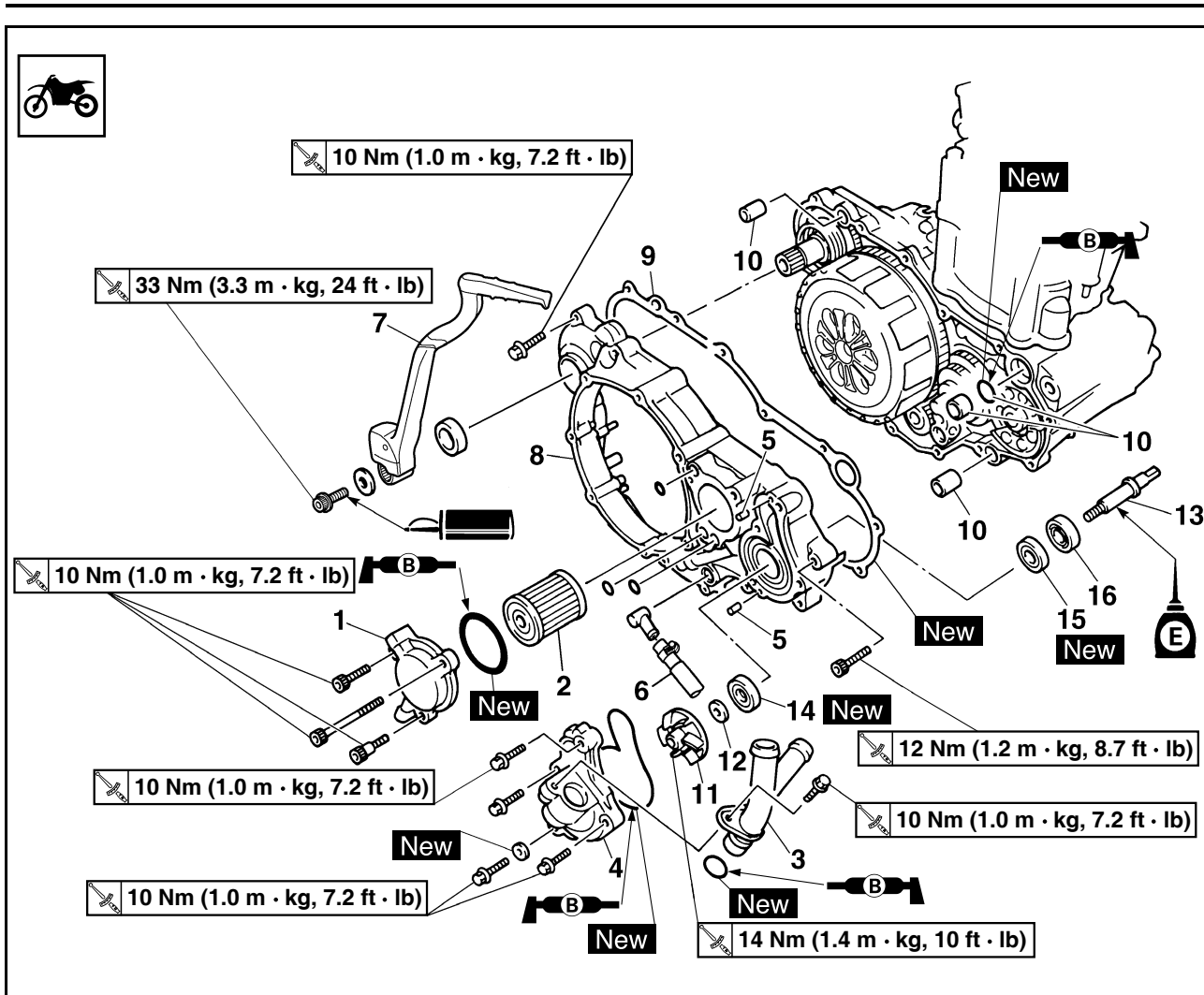
OIL FILTER ELEMENT AND WATER PUMP

REMOVING THE OIL FILTER ELEMENT AND WATER PUMP



Order	Part name	Q'ty	Remarks
	Right engine guard		Refer to "ENGINE REMOVAL" section.
	Drain the engine oil.		Refer to "CHANGING THE ENGINE OIL" section in the CHAPTER 3.
	Drain the coolant.		Refer to "CHANGING THE COOLANT" section.
	Exhaust pipe		Refer to "EXHAUST PIPE AND SILENCER" section.
	Brake pedal		Refer to "ENGINE REMOVAL" section.
	Clutch cover		Refer to "CLUTCH" section.
1	Oil filter element cover	1	
2	Oil filter element	1	
3	Coolant pipe 2	1	
4	Water pump housing	1	

OIL FILTER ELEMENT AND WATER PUMP



Order	Part name	Q'ty	Remarks
5	Pin	2	
6	Oil tank breather hose	1	
7	Kickstarter crank	1	
8	Right crankcase cover	1	
9	Gasket	1	
10	Dowel pin/O-ring	3/1	
11	Impeller	1	Refer to removal section.
12	Washer	1	Refer to removal section.
13	Impeller shaft	1	Refer to removal section.
14	Oil seal 1	1	Refer to removal section.
15	Oil seal 2	1	Refer to removal section.
16	Bearing	1	Refer to removal section.

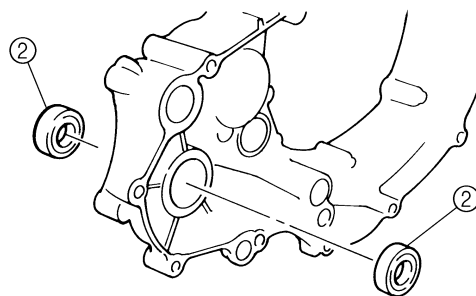
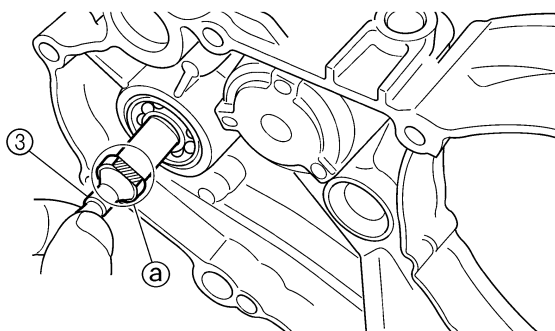
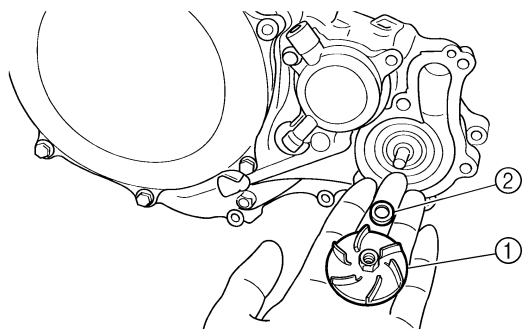
OIL FILTER ELEMENT AND WATER PUMP

REMOVING THE IMPELLER SHAFT

1. Remove:
 - Impeller "1"
 - Washer "2"
 - Impeller shaft "3"

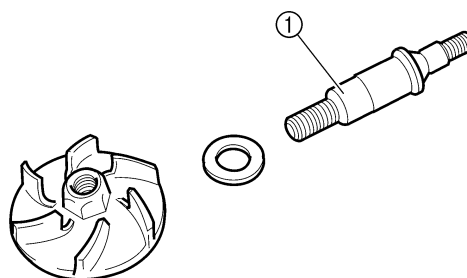
TIP

Hold the impeller shaft on its width across the flats "a" with spanners, etc. and remove the impeller.



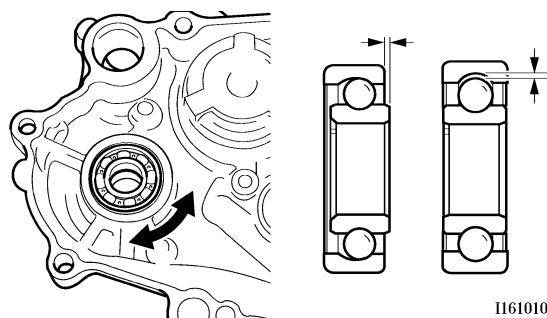
CHECKING THE IMPELLER SHAFT

1. Inspect:
 - Impeller shaft "1"
Bend/wear/damage → Replace.
Fur deposits → Clean.



CHECKING THE BEARING

1. Inspect:
 - Bearing
Rotate inner race with a finger.
Rough spot/seizure → Replace.



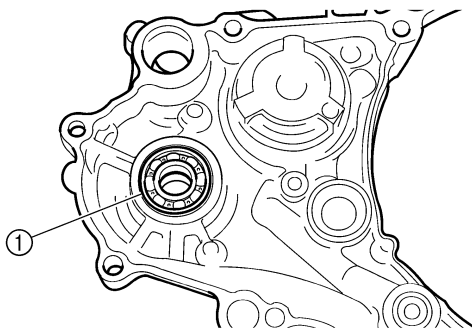
11610101

REMOVING THE OIL SEAL

TIP

It is not necessary to disassemble the water pump, unless there is an abnormality such as excessive change in coolant level, discoloration of coolant, or milky transmission oil.

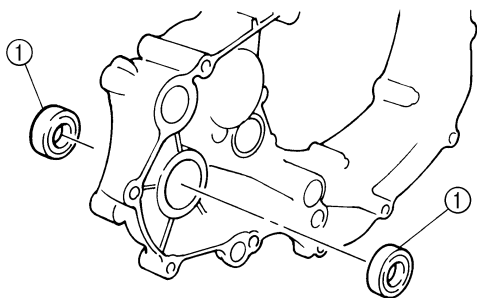
1. Remove:
 - Bearing "1"
 - Oil seal "2"



CHECKING THE OIL SEAL

1. Inspect:
 - Oil seal "1"
Wear/damage → Replace.

OIL FILTER ELEMENT AND WATER PUMP



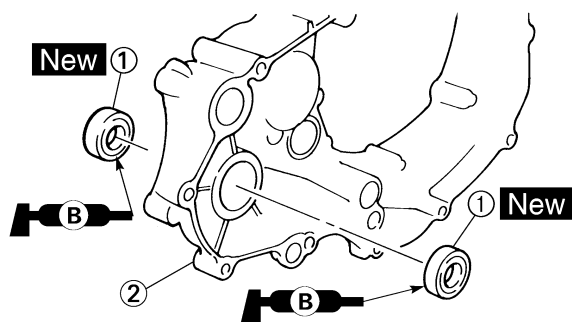
INSTALLING THE OIL SEAL

1. Install:

- Oil seal "1" **New**

TIP

- Apply the lithium soap base grease on the oil seal lip.
- Install the oil seal with its manufacture's marks or numbers facing the right crankcase cover "2".

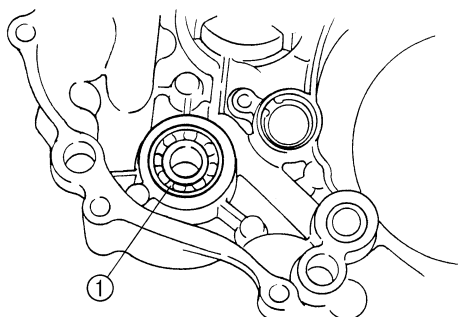


2. Install:

- Bearing "1"

TIP

Install the bearing by pressing its outer race parallel.



INSTALLING THE IMPELLER SHAFT

1. Install:

- Impeller shaft "1"
- Washer "2"
- Impeller "3"

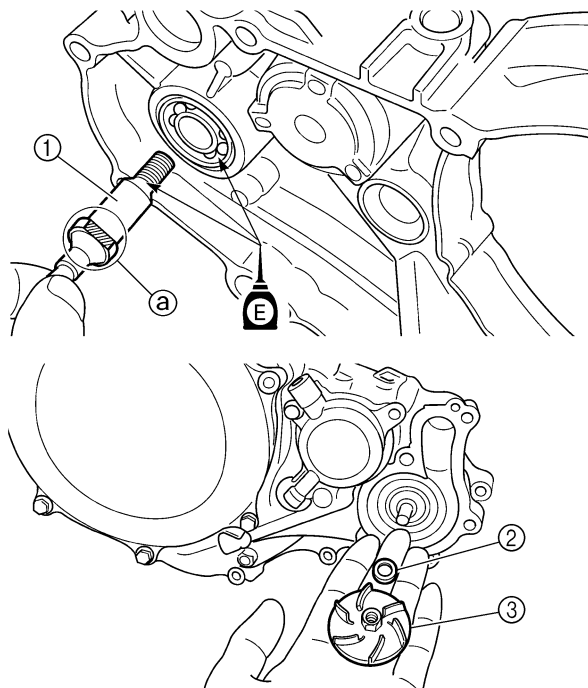


Impeller:

14 Nm (1.4 m•kg, 10 ft•lb)

TIP

- Take care so that the oil seal lip is not damaged or the spring does not slip off its position.
- When installing the impeller shaft, apply the engine oil on the oil seal lip, bearing and impeller shaft. And install the shaft while turning it.
- Hold the impeller shaft on its width across the flats "a" with spanners, etc. and install the impeller.



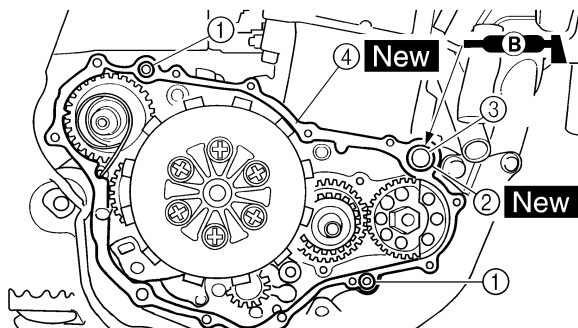
INSTALLING THE RIGHT CRANKCASE COVER

1. Install:

- Dowel pin "1"
- O-ring "2" **New**
- Collar "3"
- Gasket "4" **New**

TIP


Apply the lithium soap base grease on the O-ring.




OIL FILTER ELEMENT AND WATER PUMP

2. Install:

- Right crankcase cover "1"
- Bolt "2"

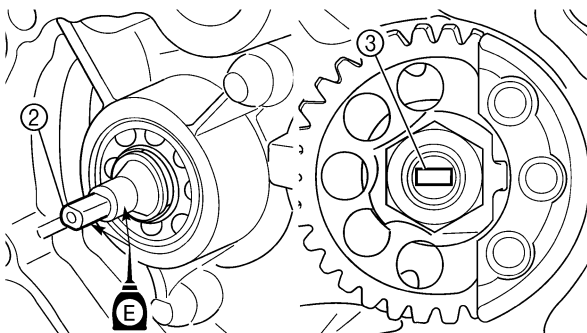
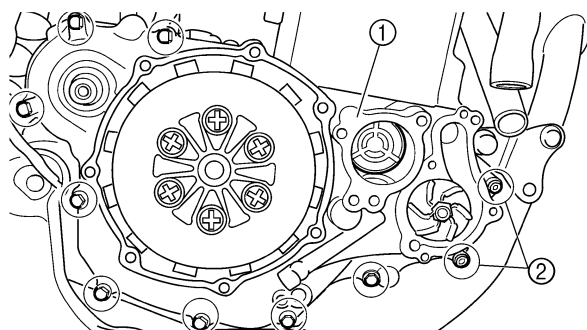
	Bolt: 12 Nm (1.2 m•kg, 8.7 ft•lb)
---	--

- Bolt

	Bolt: 10 Nm (1.0 m•kg, 7.2 ft•lb)
---	--


TIP

- Apply the engine oil on the impeller shaft end.
- When installing the crankcase cover onto the crankcase, be sure that the impeller shaft end "2" aligns with the balancer end slot "3".
- Tighten the bolts in stage, using a crisscross pattern.



INSTALLING THE KICKSTARTER CRANK

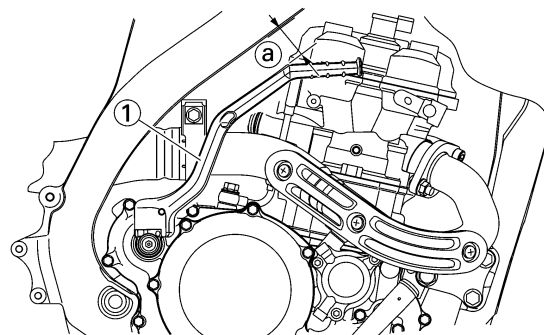
1. Install:

- Kickstarter crank "1"
- Washer
- Bolt (kickstarter crank) 

	Bolt (kickstarter crank): 33 Nm (3.3 m•kg, 24 ft•lb)
---	---


TIP

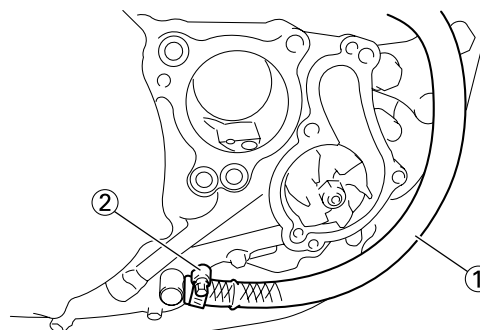
Install so that there is a clearance "a" of 8 mm (0.31 in) or more between the kickstarter and frame and that the kickstarter does not contact the crankcase cover when it is pulled.



2. Install:

- Oil tank breather hose "1"
- Clamp "2"

	Clamp: 2 Nm (0.2 m•kg, 1.4 ft•lb)
---	--



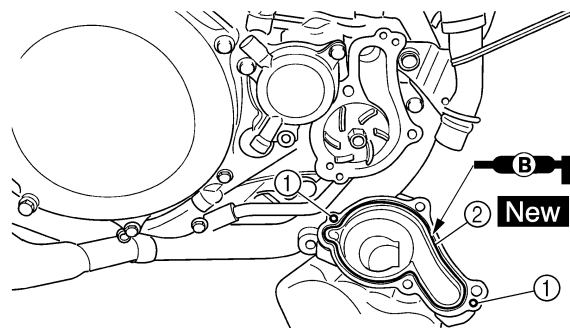
INSTALLING THE WATER PUMP HOUSING

1. Install:

- Dowel pin "1"
- O-ring "2" **New**


TIP

Apply the lithium soap base grease on the O-ring.



2. Install:

- Water pump housing "1"
- Bolt (water pump housing) "2"

	Bolt (water pump housing): 10 Nm (1.0 m•kg, 7.2 ft•lb)
---	---

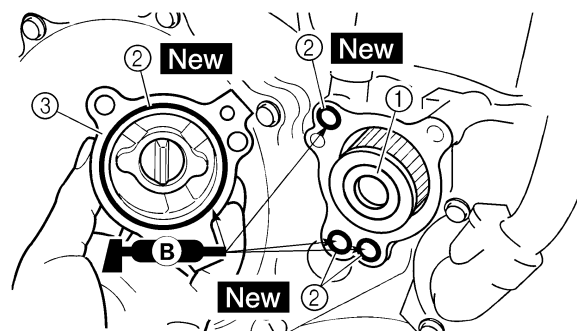
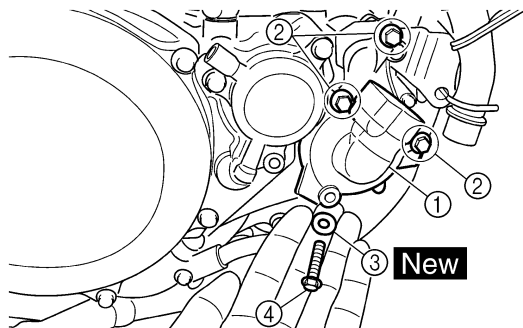
- Washer "3" **New**

OIL FILTER ELEMENT AND WATER PUMP

- Coolant drain bolt "4"



Coolant drain bolt:
10 Nm (1.0 m•kg, 7.2 ft•lb)



3. Install:

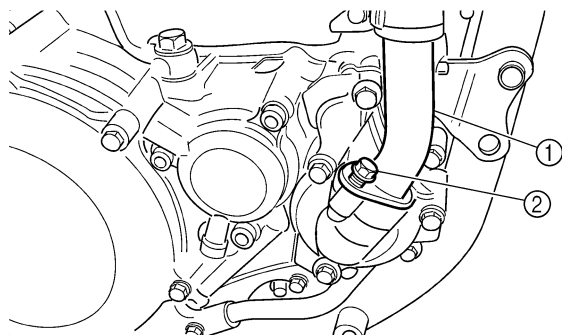
- O-ring **New**
- Coolant pipe "1"
- Bolt (coolant pipe) "2"



Bolt (coolant pipe):
10 Nm (1.0 m•kg, 7.2 ft•lb)

TIP

Apply the lithium soap base grease on the O-ring.



INSTALLING THE OIL FILTER ELEMENT

1. Install:

- Oil filter element "1"
- O-ring "2" **New**
- Oil filter element cover "3"
- Bolt (oil filter element cover)



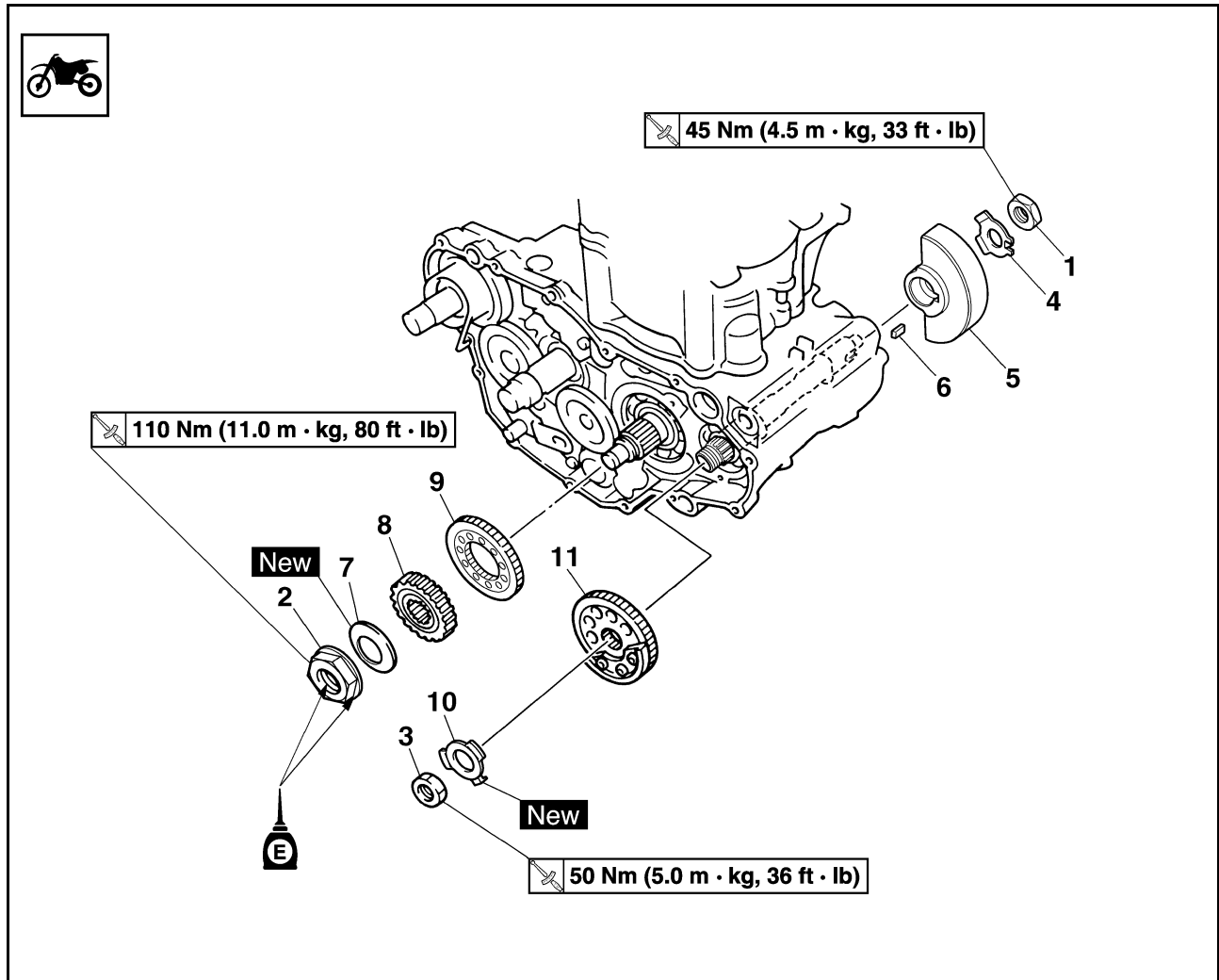
Bolt (oil filter element cover):
10 Nm (1.0 m•kg, 7.2 ft•lb)

TIP

Apply the lithium soap base grease on the O-ring.

BALANCER

REMOVING THE BALANCER



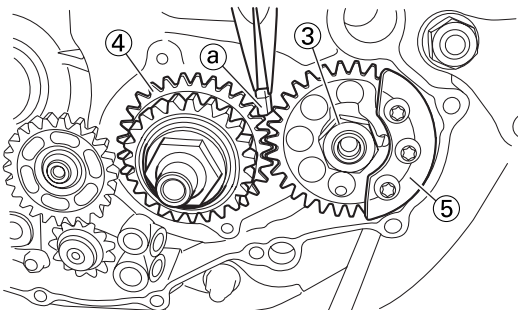
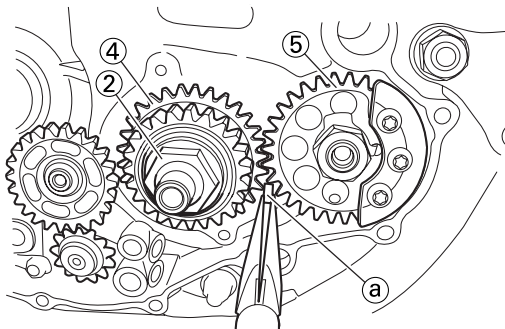
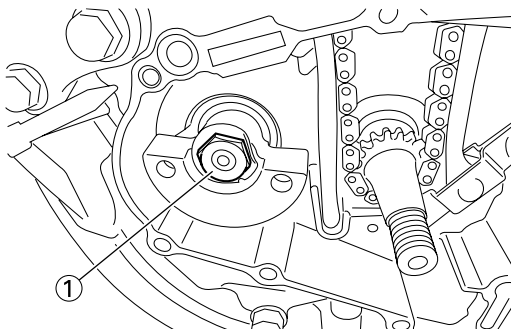
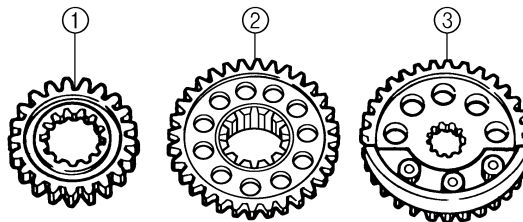
Order	Part name	Q'ty	Remarks
	Primary driven gear		Refer to "CLUTCH" section.
	Right crankcase cover		Refer to "OIL FILTER ELEMENT AND WATER PUMP" section.
	Stator		Refer to "CDI MAGNETO" section.
1	Nut (balancer)	1	Refer to removal section.
2	Nut (primary drive gear)	1	Refer to removal section.
3	Nut (balancer shaft driven gear)	1	Refer to removal section.
4	Lock washer	1	
5	Balancer	1	
6	Straight key	1	
7	Conical washer	1	
8	Primary drive gear	1	
9	Balancer shaft drive gear	1	
10	Lock washer	1	
11	Balancer shaft driven gear	1	

REMOVING THE BALANCER

1. Straighten the lock washer tab.
2. Loosen:
 - Nut (balancer) "1"
 - Nut (primary drive gear) "2"
 - Nut (balancer shaft driven gear) "3"

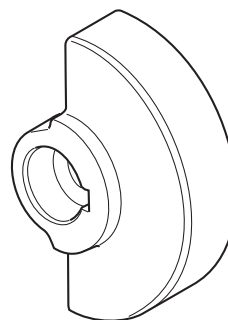
TIP

Place an aluminum plate "a" between the teeth of the balancer shaft drive gear "4" and driven gear "5".



CHECKING THE BALANCER

1. Inspect:
 - Balancer
 Cracks/damage → Replace.

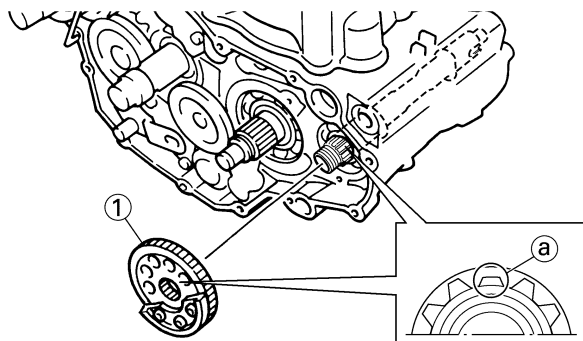


INSTALLING THE BALANCER

1. Install:
 - Balancer shaft driven gear "1"

TIP

Install the balancer shaft driven gear and balancer shaft with their lower splines "a" aligning with each other.



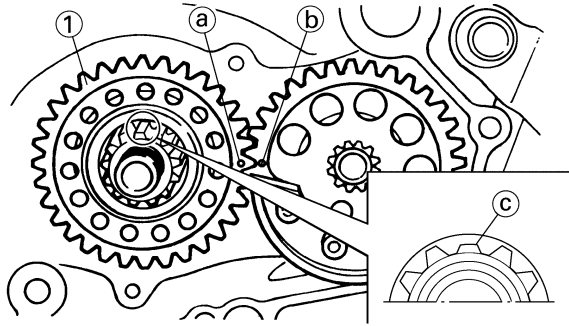
CHECKING THE PRIMARY DRIVE GEAR, BALANCER SHAFT DRIVE GEAR AND BALANCER SHAFT DRIVEN GEAR

1. Inspect:
 - Primary drive gear "1"
 - Balancer shaft drive gear "2"
 - Balancer shaft driven gear "3"
 Wear/damage → Replace.

2. Install:
 - Balancer shaft driven gear "1"

TIP

- Align the punched mark "a" on the balancer shaft drive gear with the punched mark "b" on the balancer shaft driven gear.
- Install the balancer shaft driven gear and crankshaft with the lower splines "c" aligning with each other.



3. Install:

- Lock washer "1"
- Nut (balancer shaft driven gear) "2"



Nut (balancer shaft driven gear):
50 Nm (5.0 m•kg, 36 ft•lb)

- Primary drive gear "3"
- Conical washer "4"
- Nut (primary drive gear) "5"



Nut (primary drive gear):
110 Nm (11.0 m•kg, 80 ft•lb)

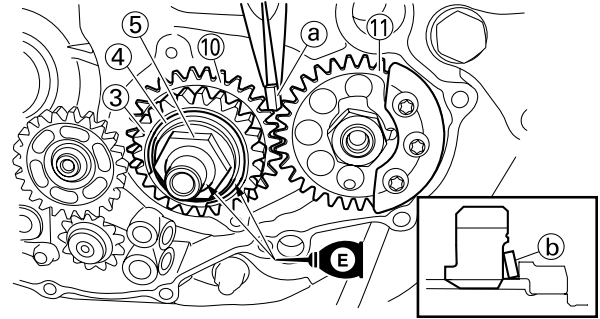
- Straight key "6"
- Balancer "7"
- Lock washer "8"
- Nut (balancer) "9"



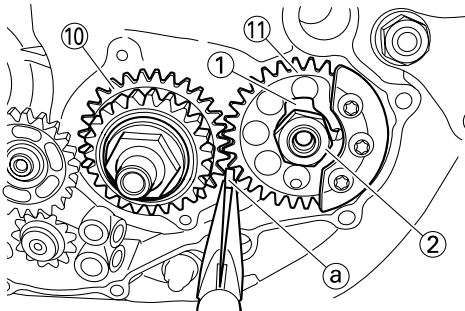
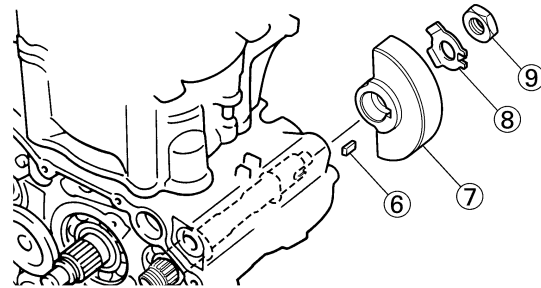
Nut (balancer):
45 Nm (4.5 m•kg, 33 ft•lb)

TIP

- Apply engine oil to the contact surface and threaded portion of the nut (primary drive gear).
- Place an aluminum plate "a" between the teeth of the balancer shaft drive gear "10" and balancer shaft driven gear "11".
- Install the conical washer with its convex surface "b" outward.

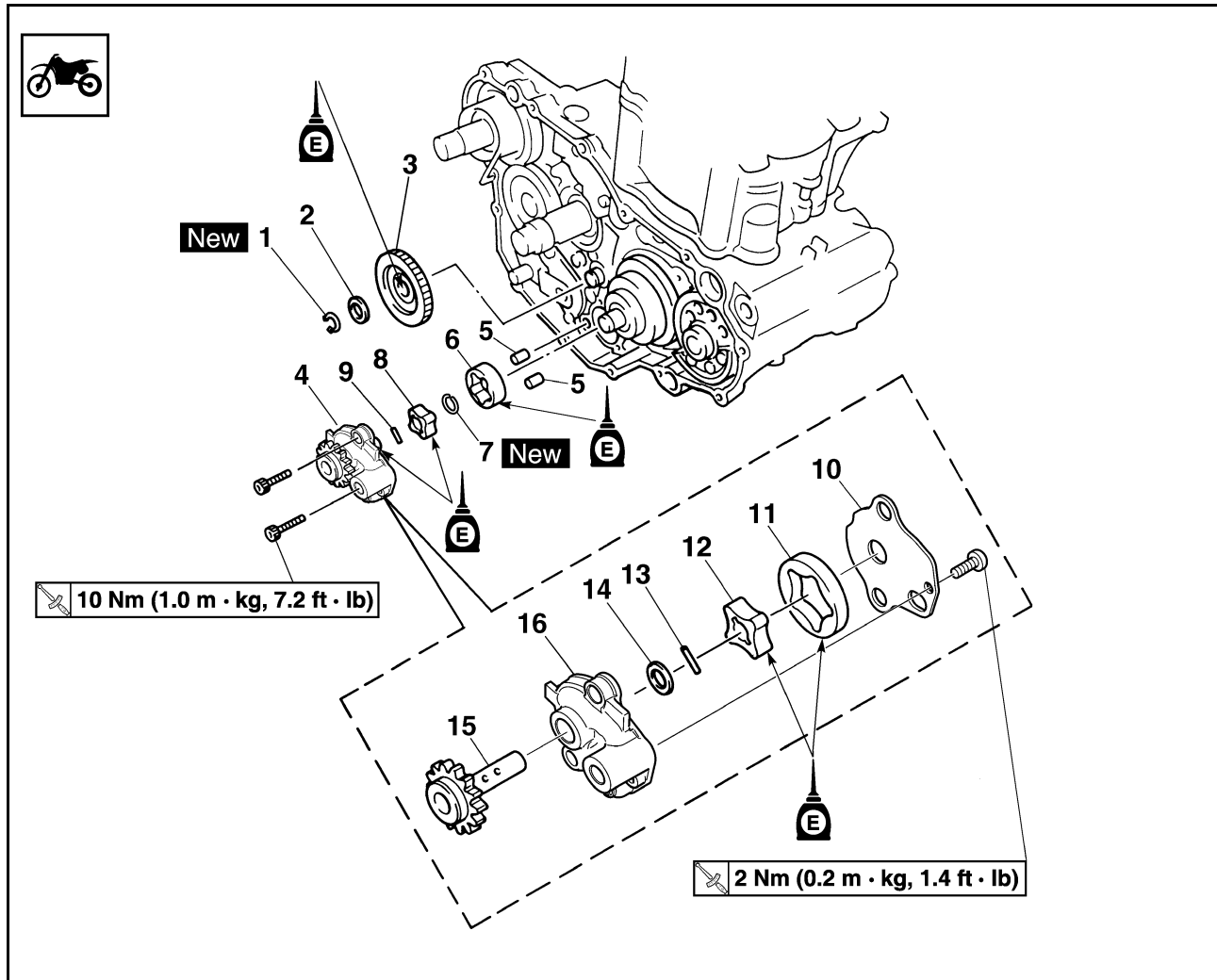


4. Bend the lock washer tab.



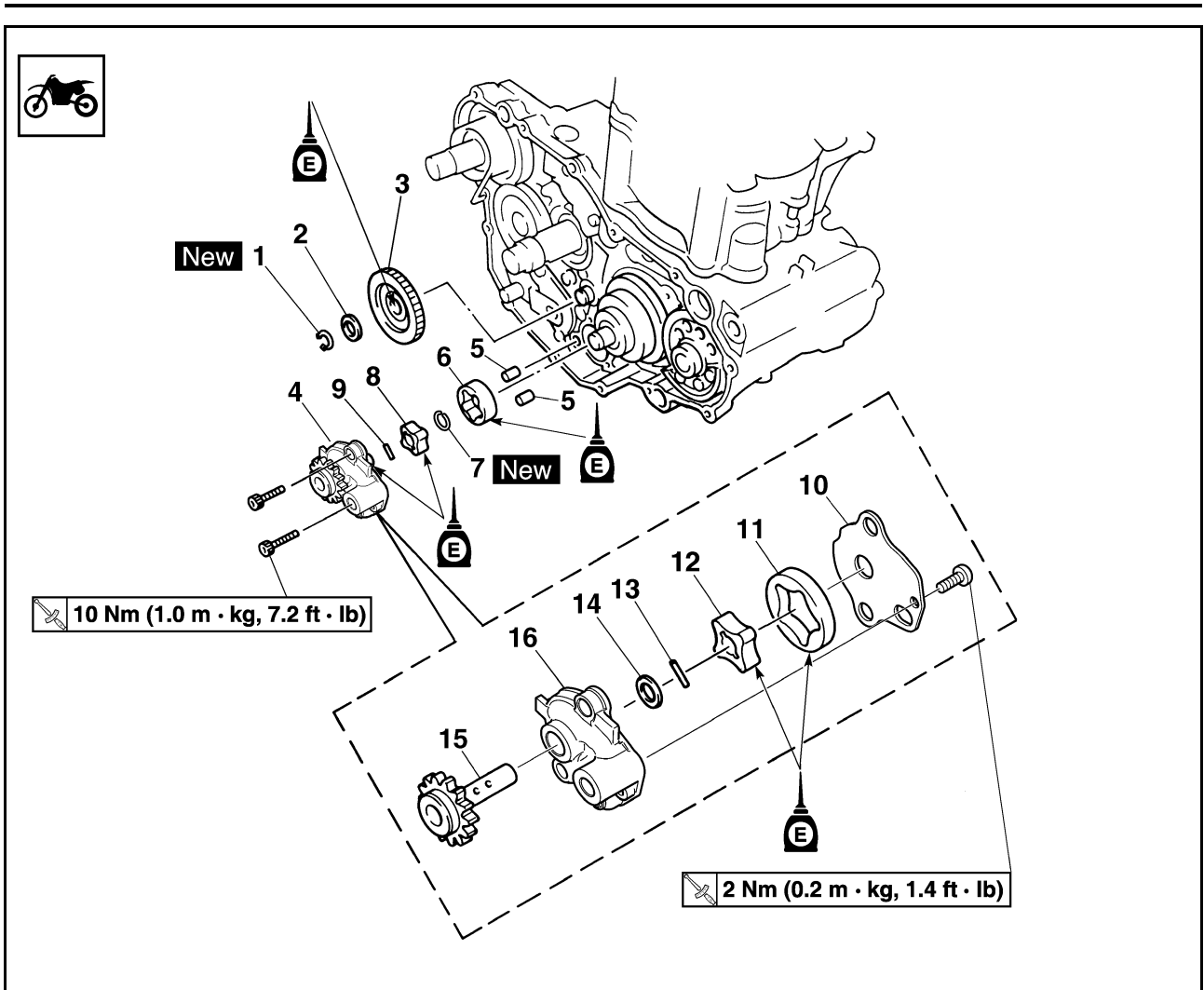
OIL PUMP

REMOVING THE OIL PUMP



Order	Part name	Q'ty	Remarks
	Primary driven gear		Refer to "CLUTCH" section.
	Right crankcase cover		Refer to "OIL FILTER ELEMENT AND WATER PUMP" section.
1	Circlip	1	
2	Washer	1	
3	Oil pump drive gear	1	
4	Oil pump assembly	1	
5	Dowel pin	2	
6	Outer rotor 2	1	
7	Circlip	1	
8	Inner rotor 2	1	
9	Dowel pin	1	
10	Oil pump cover	1	
11	Outer rotor 1	1	

OIL PUMP



Order	Part name	Q'ty	Remarks
12	Inner rotor 1	1	
13	Dowel pin	1	
14	Washer	1	
15	Oil pump drive shaft	1	
16	Rotor housing	1	

CHECKING THE OIL PUMP

1. Inspect:

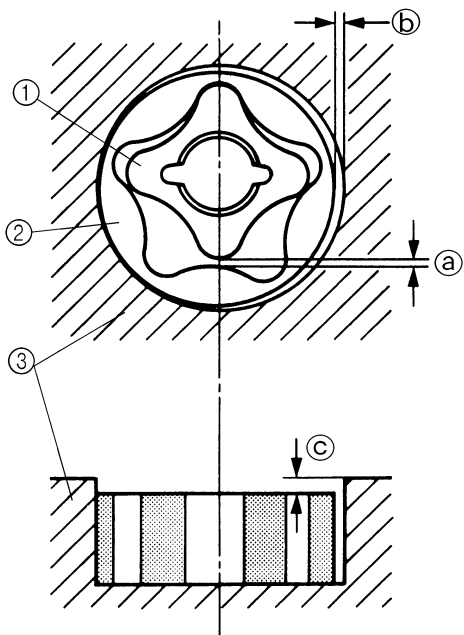
- Oil pump drive gear
 - Oil pump drive shaft
 - Rotor housing
 - Oil pump cover
- Cracks/wear/damage → Replace.

2. Measure:

- Tip clearance "a"
(between the inner rotor "1" and outer rotor "2")
- Side clearance "b"
(between the outer rotor "2" and rotor housing "3")
- Housing and rotor clearance "c"
(between the rotor housing "3" and rotors "1" "2")

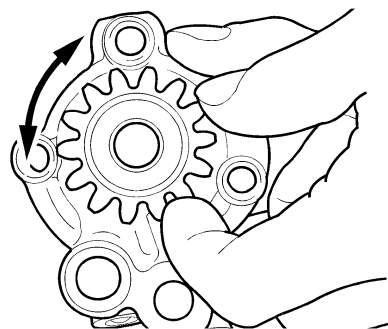
Out of specification → Replace the oil pump assembly.

	Tip clearance "a": 0.12 mm or less (0.0047 in or less) <Limit>: 0.20 mm (0.008 in)
	Side clearance "b": 0.09–0.17 mm (0.0035–0.0067 in) <Limit>: 0.24 mm (0.009 in)
	Housing and rotor clearance "c": 0.03–0.10 mm (0.0012–0.0039 in) <Limit>: 0.17 mm (0.0067 in)



3. Check:

- Unsmooth → Repeat steps #1 and #2 or replace the defective parts.



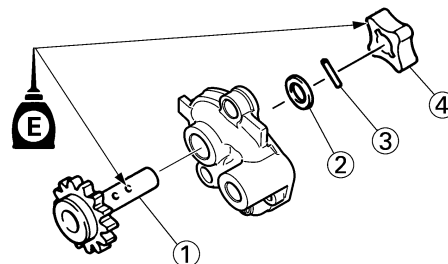
INSTALLING THE OIL PUMP

1. Install:

- Oil pump drive shaft "1"
- Washer "2"
- Dowel pin "3"
- Inner rotor 1 "4"

TIP

- Apply the engine oil on the oil pump drive shaft and inner rotor 1.
- Fit the dowel pin into the groove in the inner rotor 1.

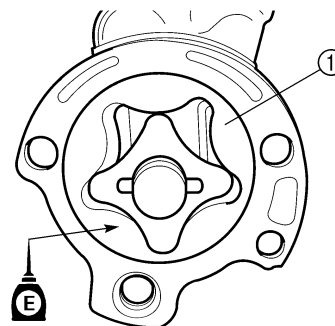


2. Install:

- Outer rotor 1 "1"

TIP

Apply the engine oil on the outer rotor 1.



3. Install:

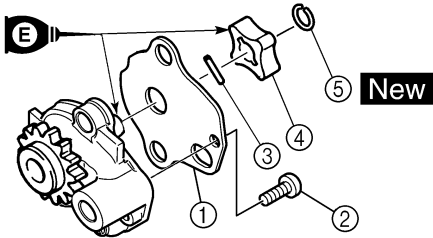
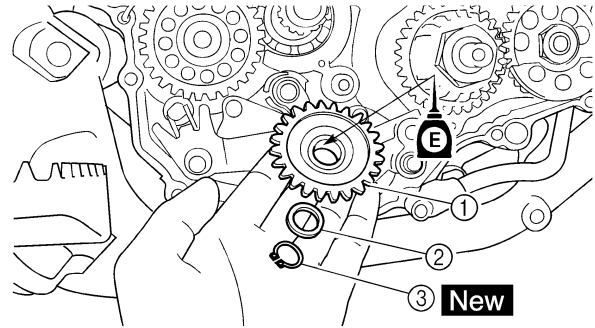
- Oil pump cover "1"
- Screw (oil pump cover) "2"

	Screw (oil pump cover): 2 Nm (0.2 m•kg, 1.4 ft•lb)
--	--

- Dowel pin "3"
- Inner rotor 2 "4"
- Circlip "5" **New**

TIP

- Apply the engine oil on the oil pump drive shaft end and inner rotor 2.
- Fit the dowel pin into the groove in the inner rotor 2.



4. Install:

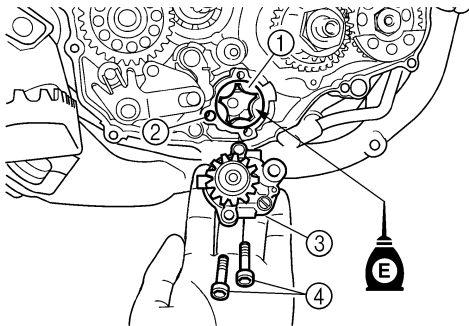
- Outer rotor 2 "1"
- Dowel pin "2"
- Oil pump assembly "3"
- Bolt (oil pump assembly) "4"



Bolt (oil pump assembly):
10 Nm (1.0 m•kg, 7.2 ft•lb)

TIP

Apply the engine oil on the outer rotor 2.



5. Install:

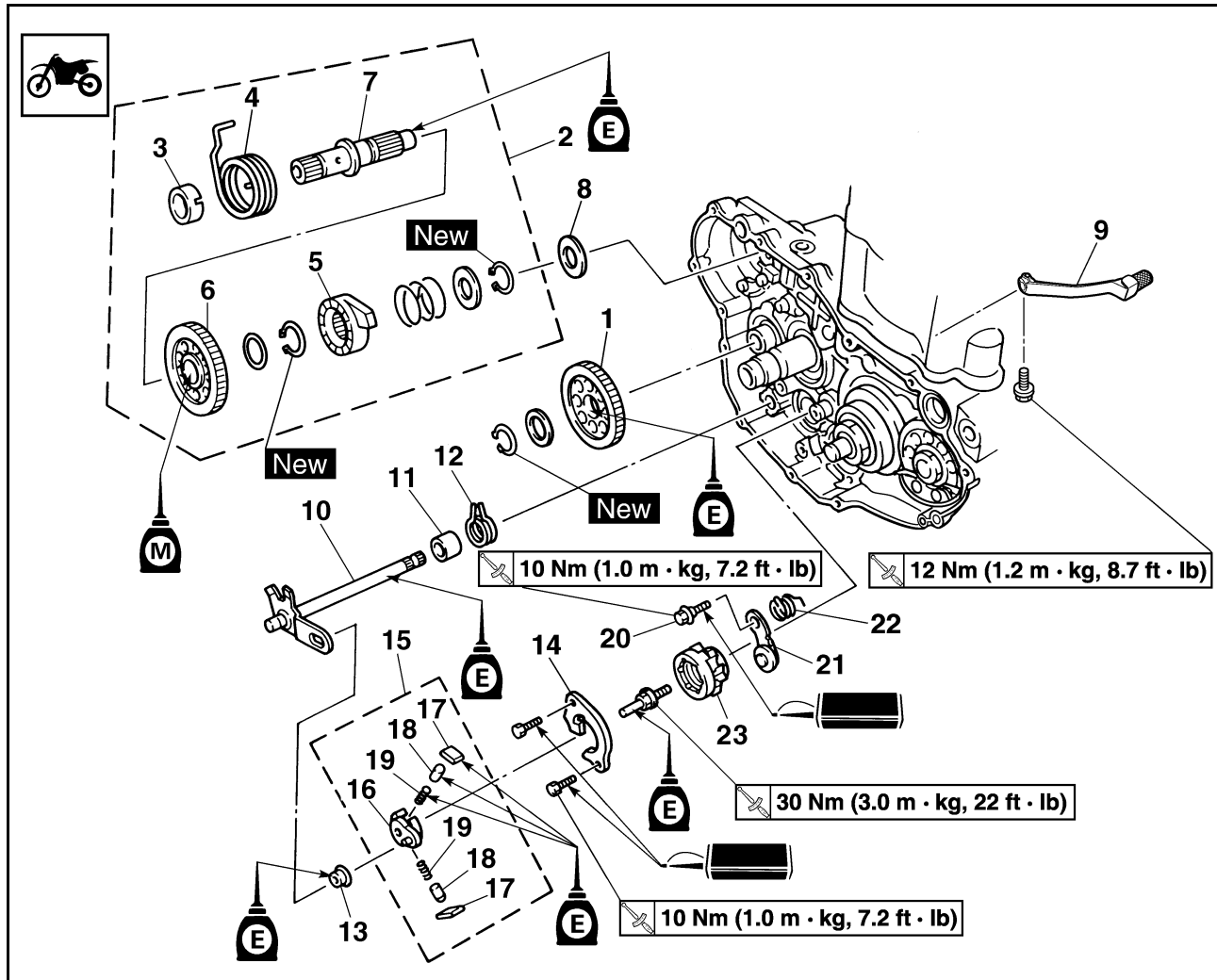
- Oil pump drive gear "1"
- Washer "2"
- Circlip "3" **New**

TIP

Apply the engine oil on the oil pump drive gear inner circumference.

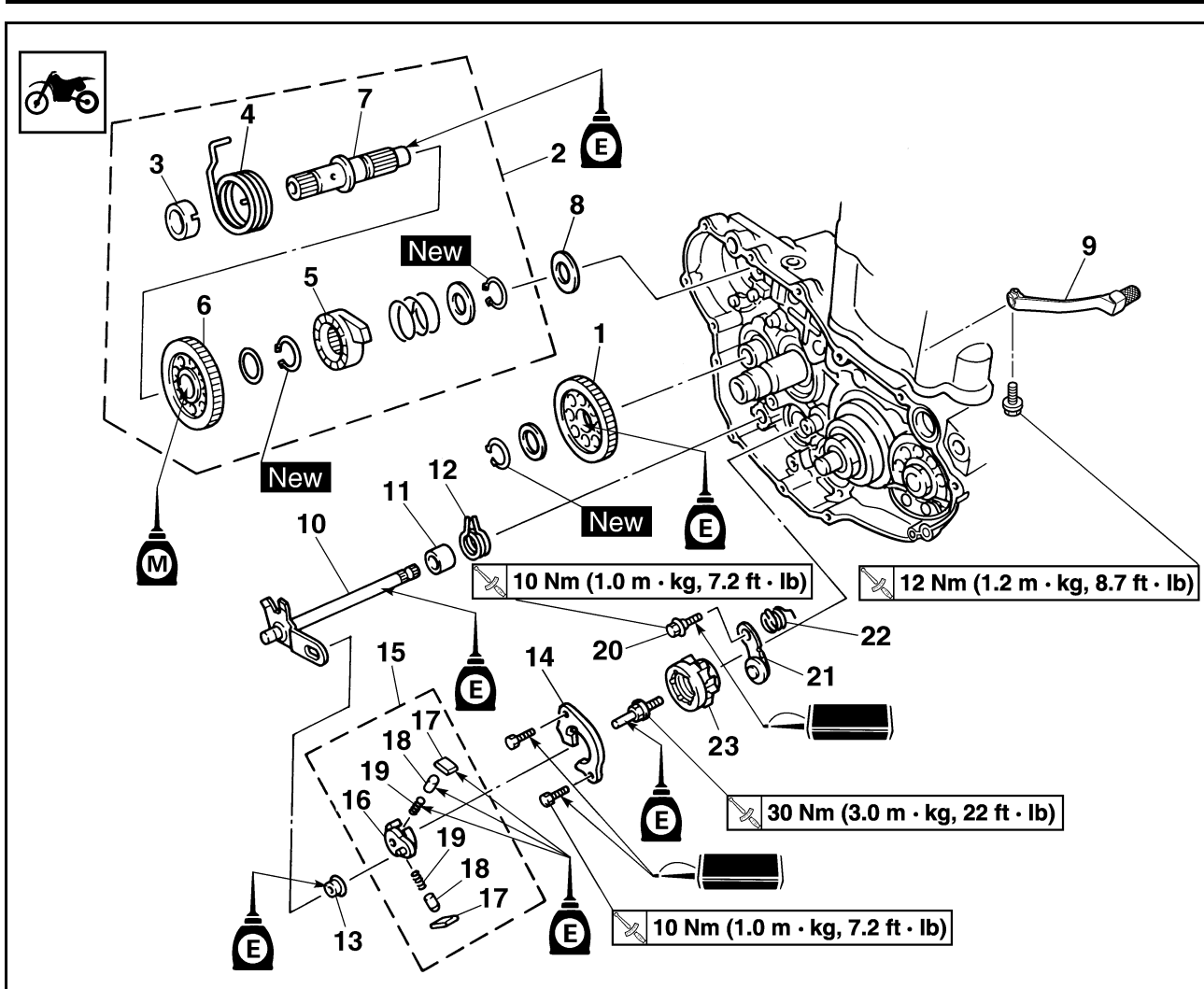
KICK SHAFT AND SHIFT SHAFT

REMOVING THE KICK SHAFT AND SHIFT SHAFT



Order	Part name	Q'ty	Remarks
	Oil pump		Refer to "OIL PUMP" section.
1	Kick idle gear	1	
2	Kick shaft assembly	1	Refer to removal section.
3	Spring guide	1	
4	Torsion spring	1	
5	Ratchet wheel	1	
6	Kick gear	1	
7	Kick shaft	1	
8	Washer	1	
9	Shift pedal	1	
10	Shift shaft	1	
11	Collar	1	
12	Torsion spring	1	
13	Roller	1	

KICK SHAFT AND SHIFT SHAFT



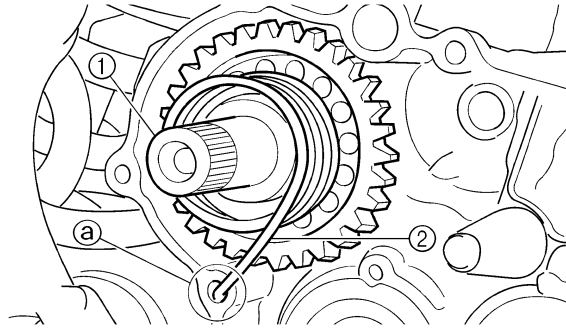
Order	Part name	Q'ty	Remarks
14	Shift guide	1	Refer to removal section.
15	Shift lever assembly	1	Refer to removal section.
16	Shift lever	1	
17	Pawl	2	
18	Pawl pin	2	
19	Spring	2	
20	Bolt (stopper lever)	1	
21	Stopper lever	1	
22	Torsion spring	1	
23	Segment	1	Refer to removal section.

REMOVING THE KICK SHAFT ASSEMBLY

1. Remove:
 - Kick shaft assembly "1"

TIP

Unhook the torsion spring "2" from the hole "a" in the crankcase.

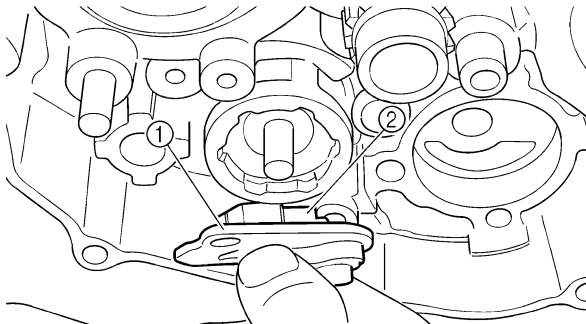


REMOVING THE SHIFT GUIDE AND SHIFT LEVER ASSEMBLY

1. Remove:
 - Bolt (shift guide)
 - Shift guide "1"
 - Shift lever assembly "2"

TIP

The shift lever assembly is disassembled at the same time as the shift guide.



REMOVING THE SEGMENT

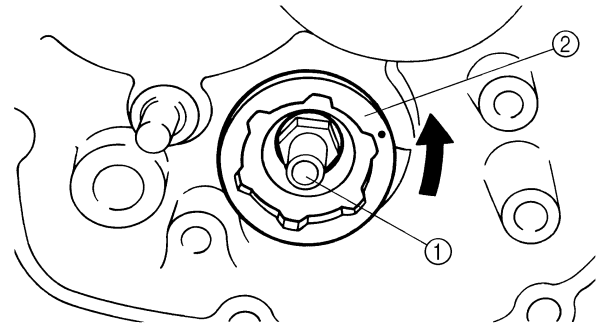
1. Remove:
 - Bolt (segment) "1"
 - Segment "2"

TIP

Turn the segment counterclockwise until it stops and loosen the bolt.

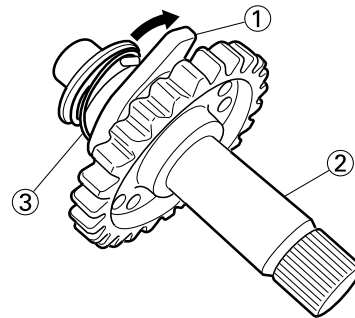
NOTICE

If the segment gets an impact, it may be damaged. Take care not to give an impact to the segment when removing the bolt.



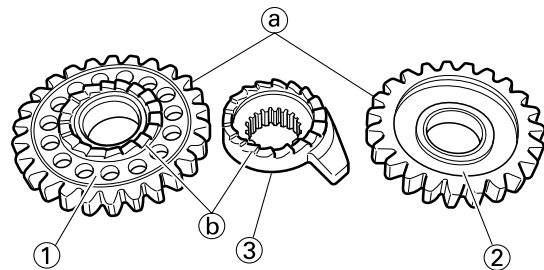
CHECKING THE KICK SHAFT AND RATCHET WHEEL

1. Check:
 - Ratchet wheel "1" smooth movement
Unsmooth movement → Replace.
 - Kick shaft "2"
Wear/damage → Replace.
 - Spring "3"
Broken → Replace.



CHECKING THE KICK GEAR, KICK IDLE GEAR AND RATCHET WHEEL

1. Inspect:
 - Kick gear "1"
 - Kick idle gear "2"
 - Ratchet wheel "3"
 - Gear teeth "a"
 - Ratchet teeth "b"
 - Wear/damage → Replace.

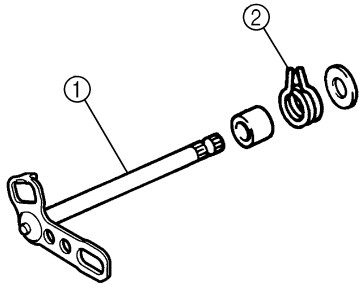


CHECKING THE SHIFT SHAFT

1. Inspect:
 - Shift shaft "1"
Bend/damage → Replace.

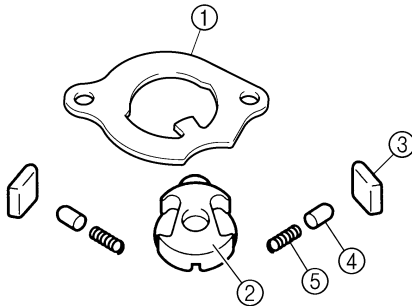
KICK SHAFT AND SHIFT SHAFT

- Spring "2"
Broken → Replace.



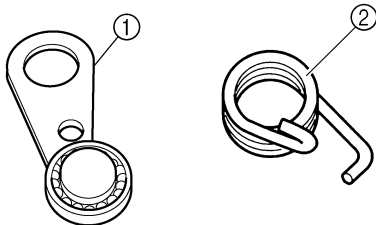
CHECKING THE SHIFT GUIDE AND SHIFT LEVER ASSEMBLY

1. Inspect:
 - Shift guide "1"
 - Shift lever "2"
 - Pawl "3"
 - Pawl pin "4"
 - Spring "5"Wear/damage → Replace.



CHECKING THE STOPPER LEVER


1. Inspect:
 - Stopper lever "1"
Wear/damage → Replace.
 - Torsion spring "2"
Broken → Replace.



INSTALLING THE SEGMENT

1. Install:
 - Segment "1"

- Bolt (segment)

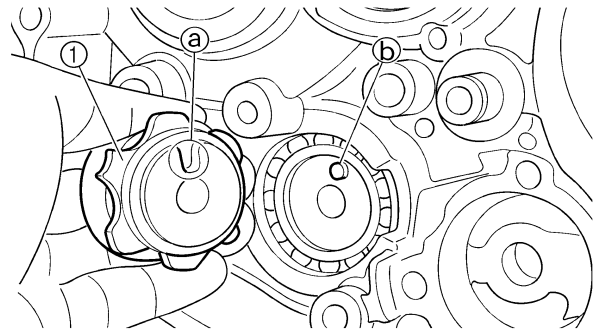
	Bolt (segment): 30 Nm (3.0 m•kg, 22 ft•lb)
---	--

TIP

Align the notch "a" on the segment with the pin "b" on the shift cam.


NOTICE

If the segment gets an impact, it may be damaged. Take care not to give an impact to the segment when tightening the bolt.



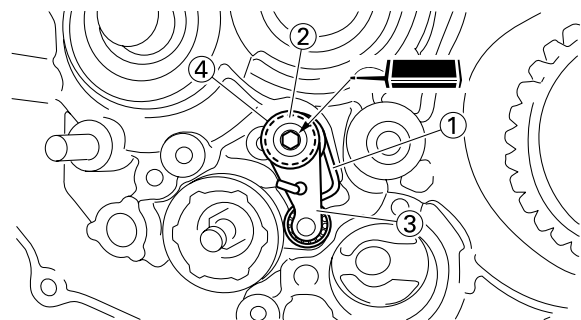
INSTALLING THE STOPPER LEVER

1. Install:
 - Torsion spring "1"
 - Washer "2"
 - Stopper lever "3"
 - Bolt (stopper lever) "4"

	Bolt (stopper lever): 10 Nm (1.0 m•kg, 7.2 ft•lb)
---	---

TIP

Align the stopper lever roller with the slot on segment.

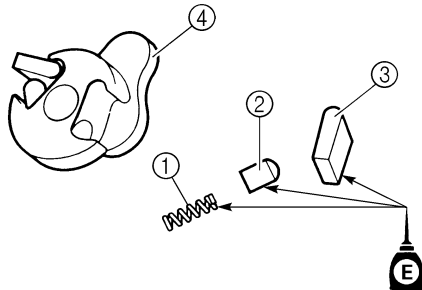


INSTALLING THE SHIFT GUIDE AND SHIFT LEVER ASSEMBLY

1. Install:
 - Spring "1"
 - Pawl pin "2"
 - Pawl "3"To shift lever "4".

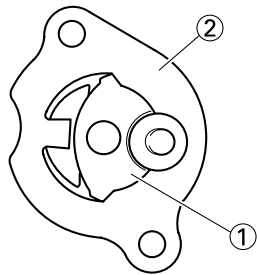
TIP

Apply the engine oil on the spring, pawl pin and pawl.



2. Install:

- Shift lever assembly "1"
To shift guide "2".

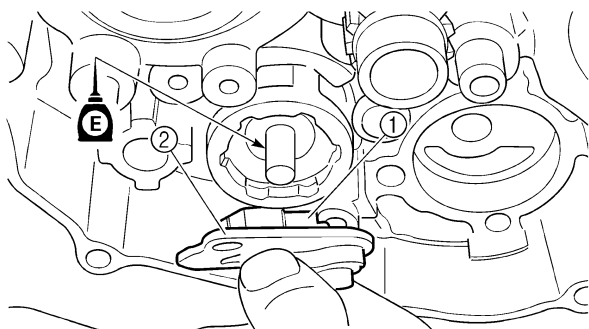


3. Install:

- Shift lever assembly "1"
- Shift guide "2"


TIP

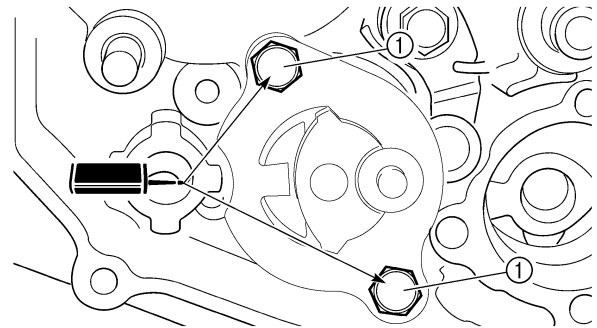
- The shift lever assembly is installed at the same time as the shift guide.
- Apply the engine oil on the bolt (segment) shaft.



4. Install:

- Bolt (shift guide) "1"

	<p>Bolt (shift guide): 10 Nm (1.0 m•kg, 7.2 ft•lb)</p>
---	---



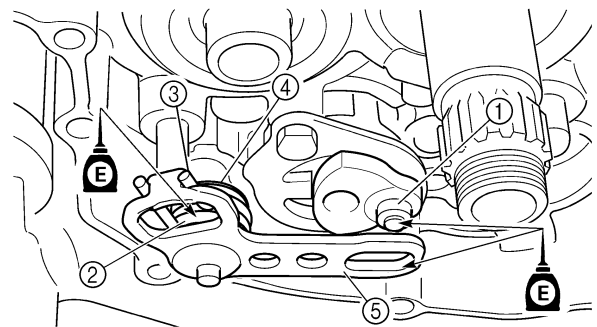
INSTALLING THE SHIFT SHAFT

1. Install:

- Roller "1"
- Collar "2"
- Torsion spring "3"
- Washer "4"
- Shift shaft "5"

TIP

Apply the engine oil on the roller and shift shaft.



2. Install:

- Shift pedal
Refer to "AC MAGNETO AND STARTER CLUTCH" section.

INSTALLING THE KICK SHAFT ASSEMBLY

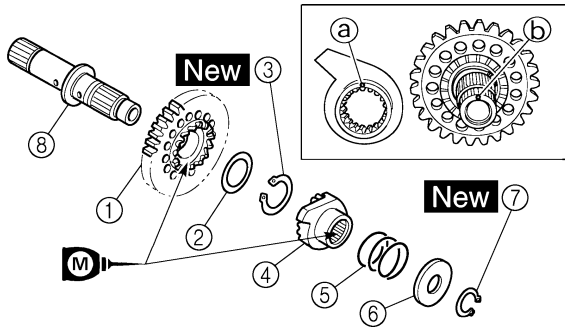
1. Install:

- Kick gear "1"
- Washer "2"
- Circlip "3" **New**
- Ratchet wheel "4"
- Spring "5"
- Washer "6"
- Circlip "7" **New**
To kick shaft "8".

TIP

- Apply the molybdenum disulfide oil on the inner circumferences of the kick gear and ratchet wheel.
- Align the punch mark "a" on the ratchet wheel with the punch mark "b" on the kick shaft.

KICK SHAFT AND SHIFT SHAFT

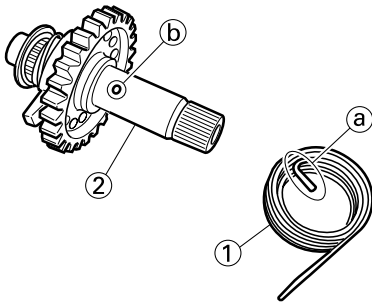


2. Install:

- Torsion spring "1"
To kick shaft "2".

TIP

Make sure the stopper "a" of the torsion spring fits into the hole "b" on the kick shaft.

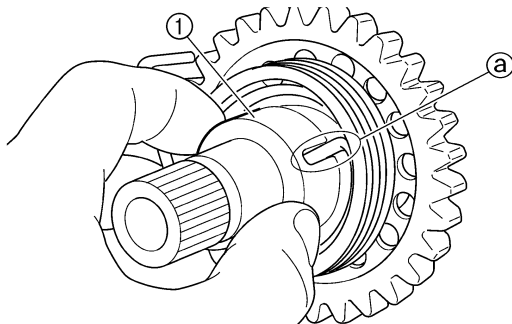


3. Install:

- Spring guide "1"

TIP

Slide the spring guide into the kick shaft, make sure the groove "a" in the spring guide fits on the stopper of the torsion spring.



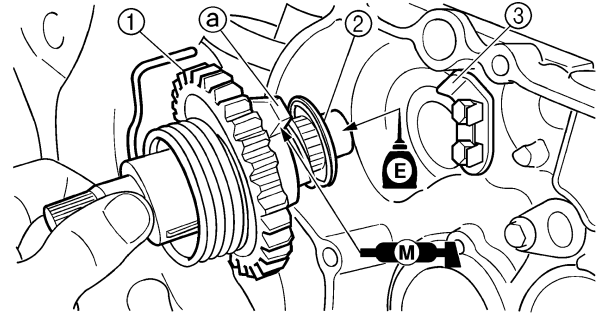
4. Install:

- Kick shaft assembly "1"
- Washer "2"

TIP

- Apply the molybdenum disulfide grease on the contacting surfaces of the kick shaft stopper "a" and kick shaft ratchet wheel guide "3".
- Apply the engine oil on the kick shaft.

- Slide the kick shaft assembly into the crankcase and make sure the kick shaft stopper "a" fits into the kick shaft ratchet wheel guide.

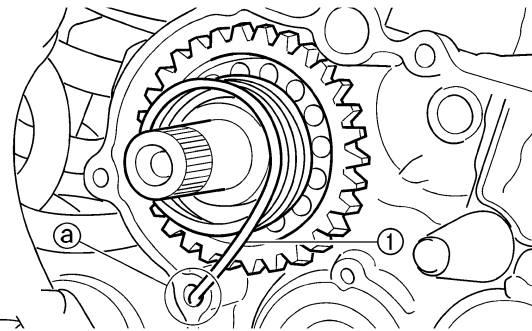


5. Hook:

- Torsion spring "1"

TIP

Turn the torsion spring clockwise and hook into the proper hole "a" in the crankcase.



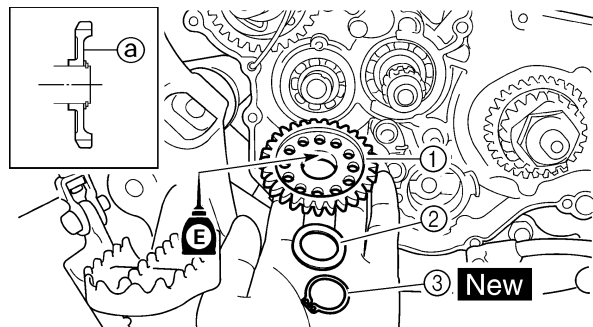
INSTALLING THE KICK IDLE GEAR

1. Install:

- Kick idle gear "1"
- Washer "2"
- Circlip "3" **New**

TIP

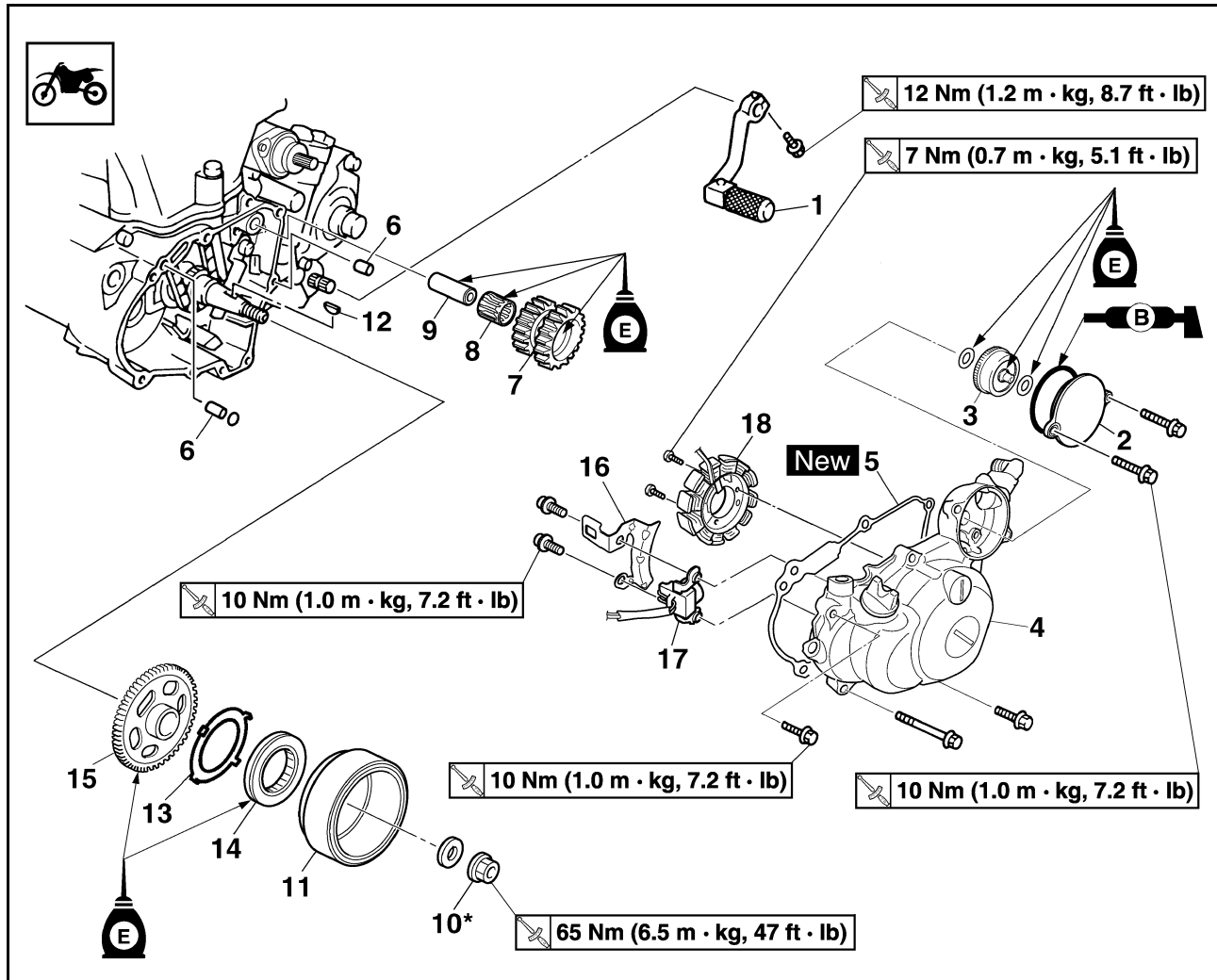
- Apply the engine oil on the kick idle gear inner circumference.
- Install the kick idle gear with its depressed side "a" toward you.



AC MAGNETO AND STARTER CLUTCH

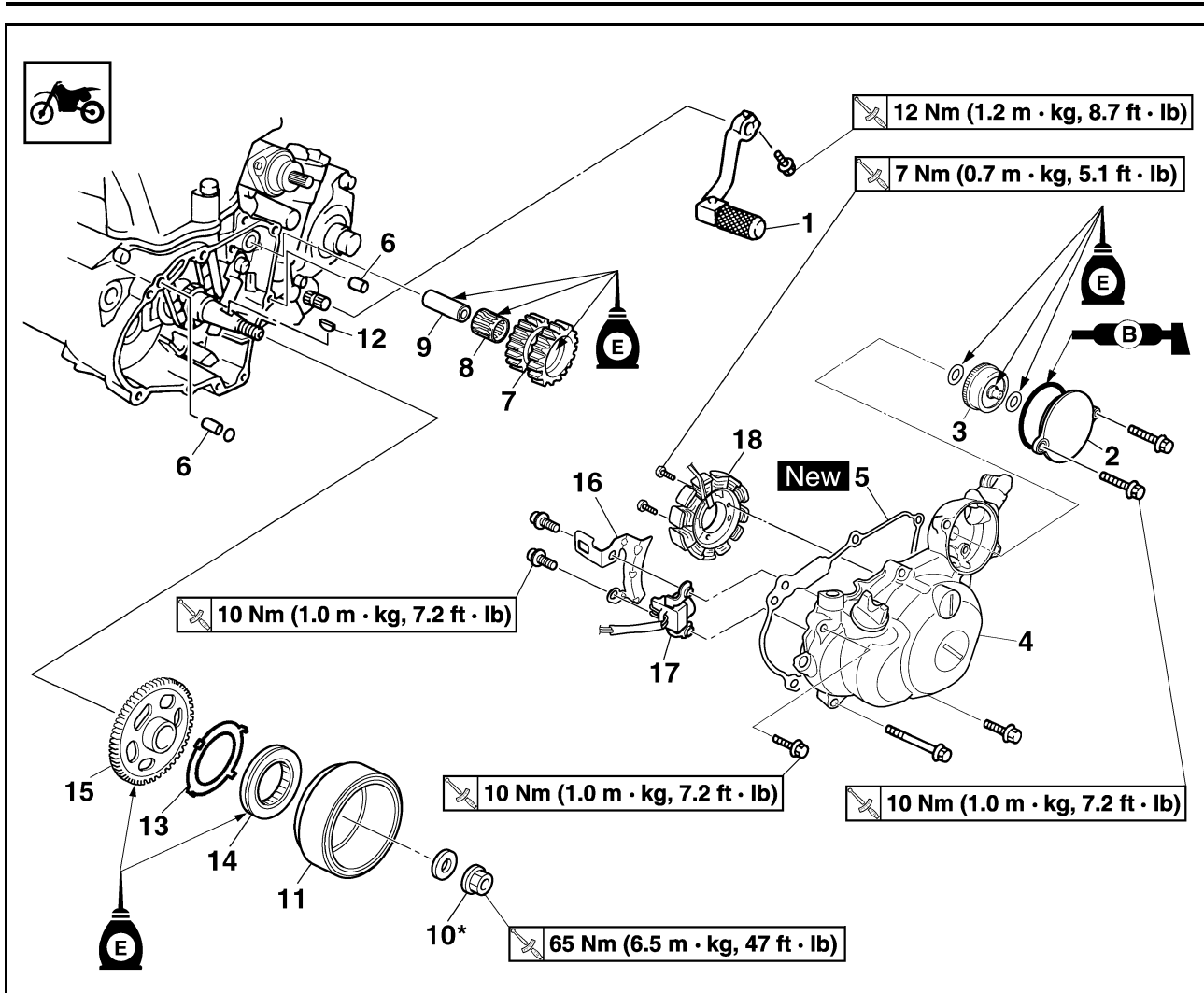
AC MAGNETO AND STARTER CLUTCH

REMOVING THE AC MAGNETO AND STARTER CLUTCH



Order	Part name	Q'ty	Remarks
	Drain the engine oil.		Refer to "CHANGING THE ENGINE OIL" section in the CHAPTER 3.
	Seat and fuel tank		Refer to "SEAT, FUEL TANK AND SIDE COVERS" section in the CHAPTER 3.
	Disconnect the AC magneto lead.		
1	Shift pedal	1	
2	Cover (torque limiter)	1	
3	Torque limiter	1	Do not disassemble.
4	Crankcase cover (left)	1	
5	Gasket	1	
6	Dowel pin	2	
7	Idle gear	1	
8	Bearing	1	
9	Shaft	1	

AC MAGNETO AND STARTER CLUTCH



Order	Part name	Q'ty	Remarks
10*	Nut (rotor)	1	Refer to TIP.
11	Rotor	1	Refer to removal section.
12	Woodruff key	1	
13	Starter clutch assembly cover	1	Refer to removal section.
14	Starter clutch	1	Refer to removal section.
15	Starter clutch drive gear	1	
16	Holder	1	
17	Pickup coil	1	
18	Stator	1	

TIP

Tighten the rotor nut to 65 Nm (6.5 m•kg, 47 ft•lb), loosen and retighten the rotor nut to 65 Nm (6.5 m•kg, 47 ft•lb).

AC MAGNETO AND STARTER CLUTCH

REMOVING THE ROTOR

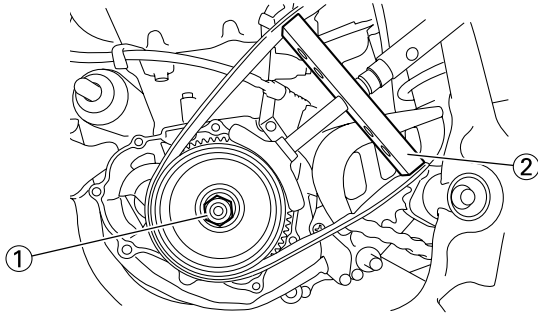
1. Remove:

- Nut (rotor) "1"
- Washer

Use the sheave holder "2".



Sheave holder:
YS-1880-A/90890-01701



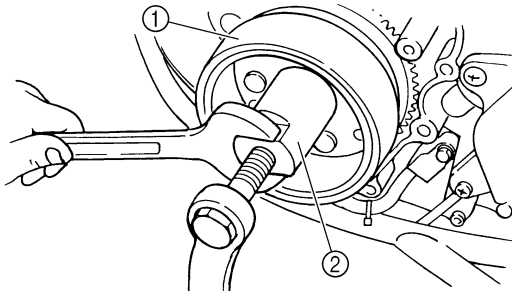
2. Remove:

- Rotor "1"

Use the rotor puller "2".



Rotor puller:
YM-04142/90890-04142

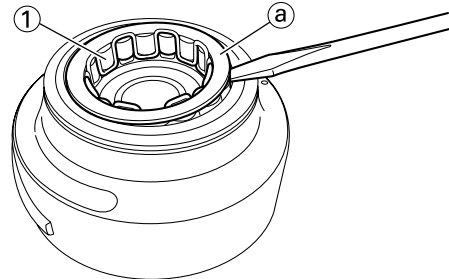


2. Remove:

- Starter clutch "1"

TIP

Using a thin screwdriver or the like, remove the plate "a" while prying it upward little by little.



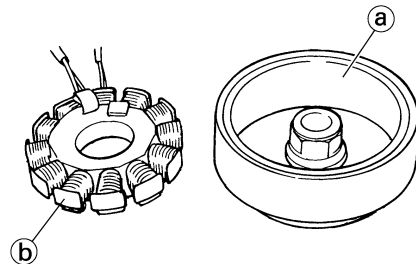
REMOVING THE AC MAGNETO

1. Inspect:

- Rotor inner surface "a"
- Stator outer surface "b"

Damage → Inspect the crankshaft runout and crankshaft bearing.

If necessary, replace AC magneto and/or stator.



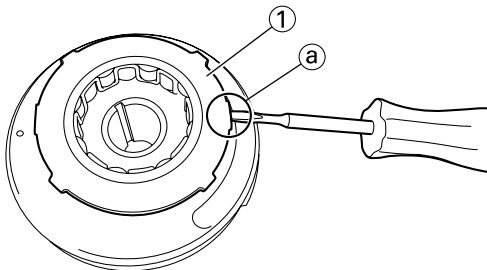
REMOVING THE STARTER CLUTCH

1. Remove:

- Starter clutch assembly cover "1"

TIP

Insert a thin screwdriver or the like under the convexity "a" and remove the starter clutch assembly cover by prying it gently to void damage to the cover.

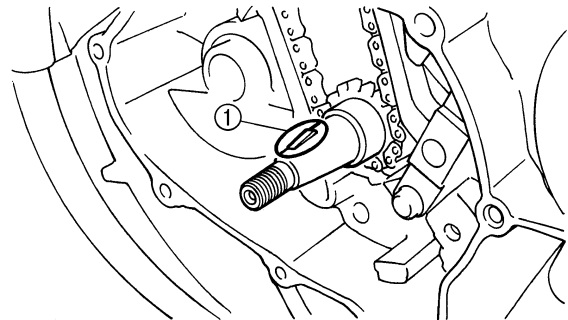


CHECKING THE WOODRUFF KEY

1. Inspect:

- Woodruff key "1"

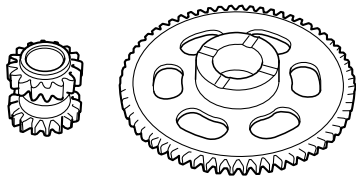
Damage → Replace.



AC MAGNETO AND STARTER CLUTCH

CHECKING THE STARTER CLUTCH

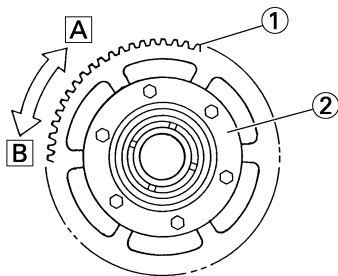
1. Check:
 - Starter clutch
Damage/wear → Replace.
2. Check:
 - Idle gear
 - Idle gear shaft
 - Starter clutch drive gear
Pitting/burrs/chips/roughness/wear → Replace the defective parts.



3. Check:
 - Starter clutch operation

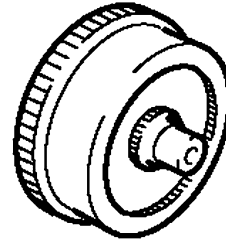


- a. Install the starter clutch drive gear "1" onto the starter clutch "2" and hold the starter clutch.
- b. When turning the starter clutch drive gear counterclockwise "B", the starter clutch and the starter clutch drive gear should engage. If the starter clutch drive gear and starter clutch do not engage, the starter clutch is faulty and must be replaced.
- c. When turning the starter clutch drive gear clockwise "A", it should turn freely. If the starter clutch drive gear does not turn freely, the starter clutch is faulty and must be replaced.




CHECKING THE TORQUE LIMITER

1. Check:
 - Torque limiter
Damage/wear → Replace.




INSTALLING THE AC MAGNETO AND STARTER CLUTCH

1. Install:
 - Stator "1"
 - Bolt (stator) "2"


	Bolt (stator): 7 Nm (0.7 m•kg, 5.1 ft•lb)
---	--

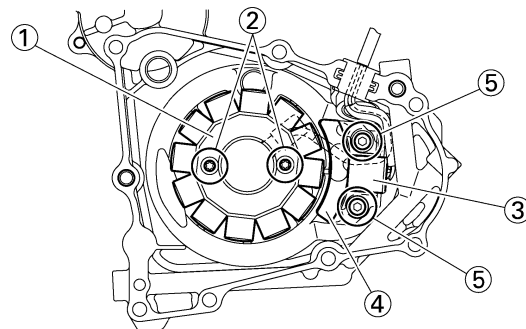
- Pickup coil "3"
- Holder "4"
- Bolt (pickup coil) "5"

	Bolt (pickup coil): 10 Nm (1.0 m•kg, 7.2 ft•lb)
---	--

TIP

- Pass the AC magneto lead "5" under the pickup coil.
- Pass the AC magneto lead "4" under the holder as shown.
- Take care not to catch the AC magneto lead between crankcase cover ribs.
- Tighten the bolt (stator) using the T25 bit.
- Apply the sealant to the grommet of the AC magneto lead.

	YAMAHA Bond No. 1215 (Three-Bond® No. 1215): 90890-85505
---	---



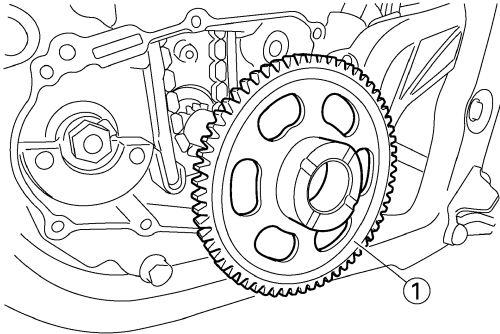
AC MAGNETO AND STARTER CLUTCH

2. Install:

- Starter clutch drive gear "1"

TIP

Apply the engine oil on the starter clutch drive gear inner circumference.

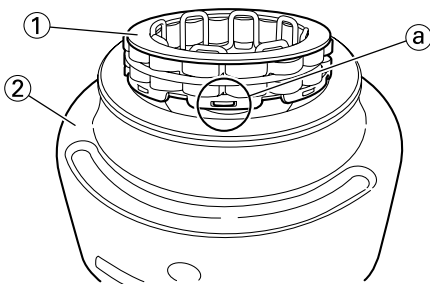


3. Install:

- Starter clutch "1"
To rotor "2".

TIP

- Install the starter clutch with its plate side upward.
- While installing the starter clutch, push in the projections "a" one by one on the clutch circumference.
- Push in the starter clutch until it hits the rotor.

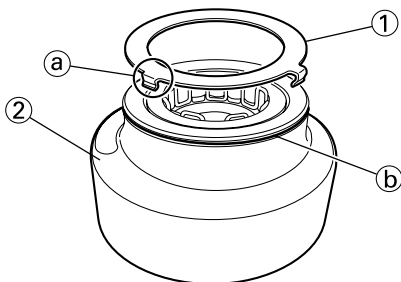


4. Install:

- Starter clutch assembly cover "1"
To rotor "2".

TIP

Install the starter clutch assembly cover by fitting its pawls "a" into the groove "b" in the rotor.

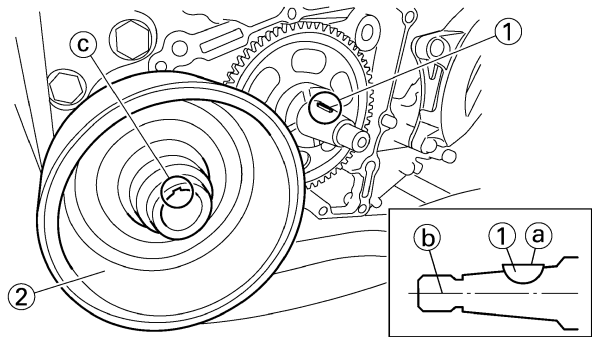


5. Install:

- Woodruff key "1"
- Rotor "2"


TIP

- Degrease the contact surfaces of the tapered portions of the crankshaft and rotor.
- When installing the woodruff key, make sure that its flat surface "a" is in parallel with the crankshaft center line "b".
- When installing the rotor, align the keyway "c" of the rotor with the woodruff key.



6. Install:


- Washer (rotor)
- Nut (rotor) "1"

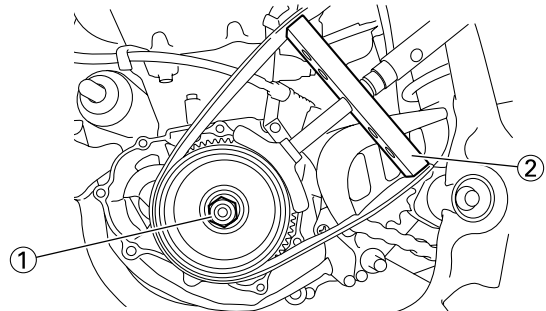
 **Nut (rotor):**
65 Nm (6.5 m•kg, 47 ft•lb)

Use the sheave holder "2"

TIP

Tighten the rotor nut to 65 Nm (6.5 m•kg, 47 ft•lb), loosen and retighten the rotor nut to 65 Nm (6.5 m•kg, 47 ft•lb).

 **Sheave holder:**
YS-1880-A/90890-01701



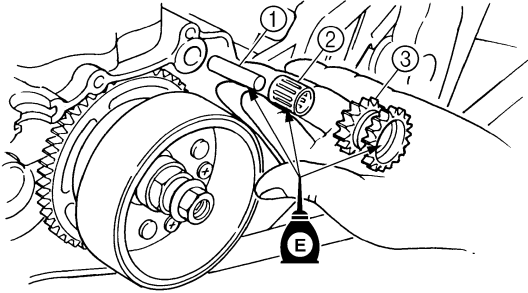
7. Install:

- Shaft "1"
- Bearing "2"
- Idle gear 2 "3"

AC MAGNETO AND STARTER CLUTCH

TIP

Apply the engine oil on the shaft, bearing and idle gear inner circumference.



8. Install:

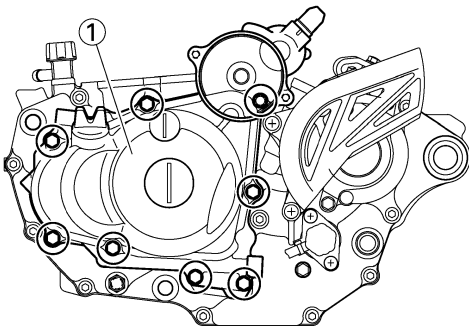
- Dowel pin
- Gasket [crankcase cover (left)] **New**
- Crankcase cover (left) "1"
- Bolt [crankcase cover (left)]



Bolt [crankcase cover (left)]:
10 Nm (1.0 m•kg, 7.2 ft•lb)

TIP

Tighten the bolts in stage, using a crisscross pattern.

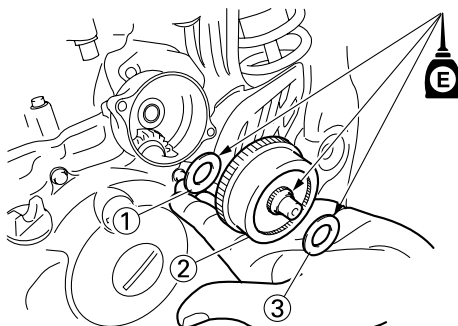


9. Install:

- Washer "1"
- Torque limiter "2"
- Washer "3"

TIP

Apply the engine oil to the shaft and washers.



10. Install:

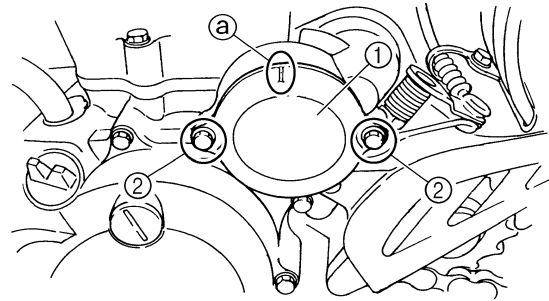
- Cover (idle gear 1) "1"
- Bolt "2"



Bolt:
10 Nm (1.0 m•kg, 7.2 ft•lb)

TIP

Install the cover (idle gear 1) with its mark "a" facing upward.



11. Connect:

- AC magneto lead
Refer to "CABLE ROUTING DIAGRAM" section in the CHAPTER 2.

12. Install:

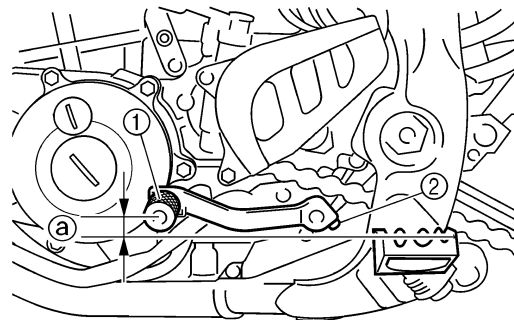
- Shift pedal "1"
- Bolt (shift pedal) "2"



Bolt (shift pedal):
12 Nm (1.2 m•kg, 8.7 ft•lb)

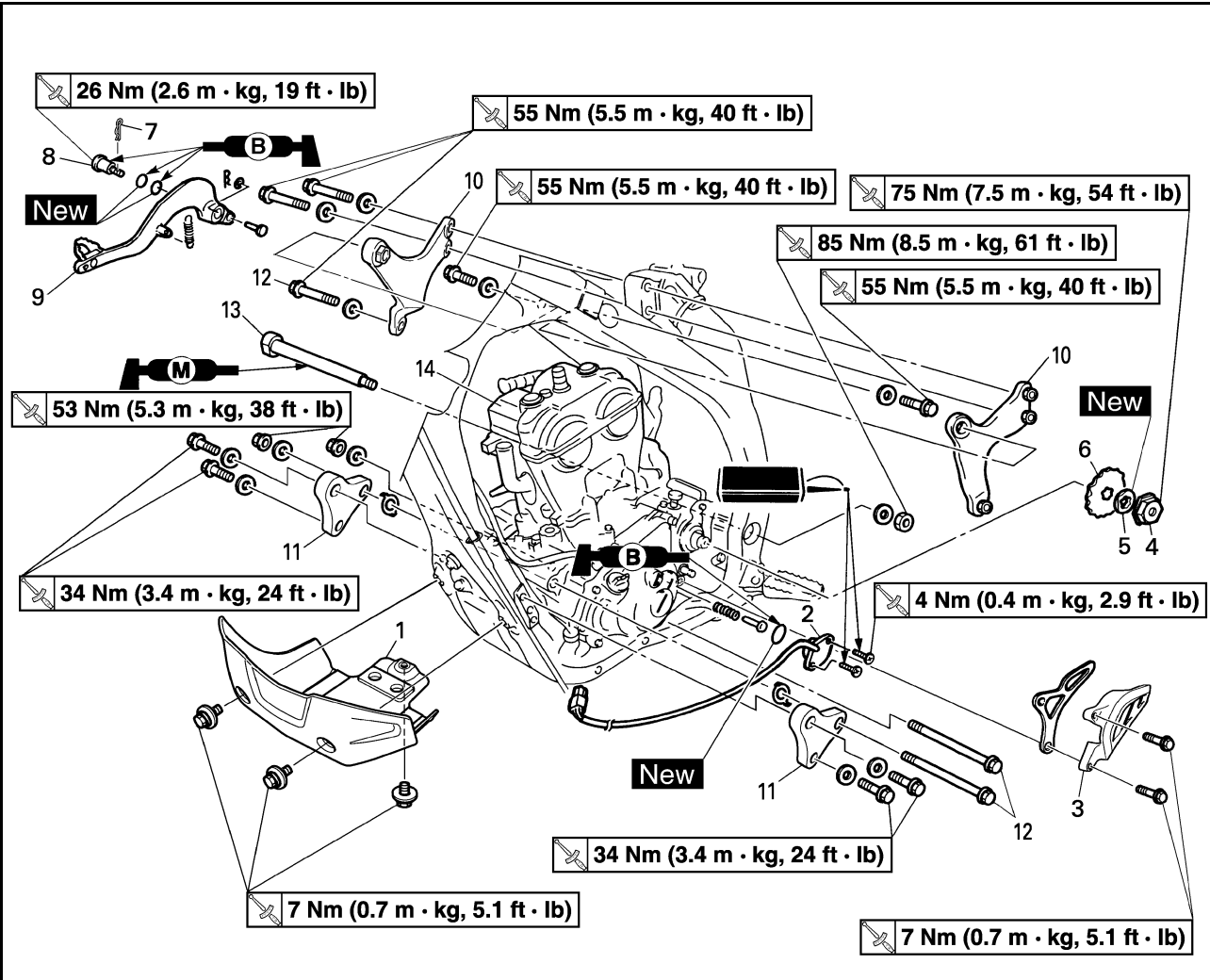
TIP

When installing the shift pedal onto the shift shaft, be sure that the center of the shift pedal is about 5.1 mm (0.2 in) "a" above the top of the footrest.



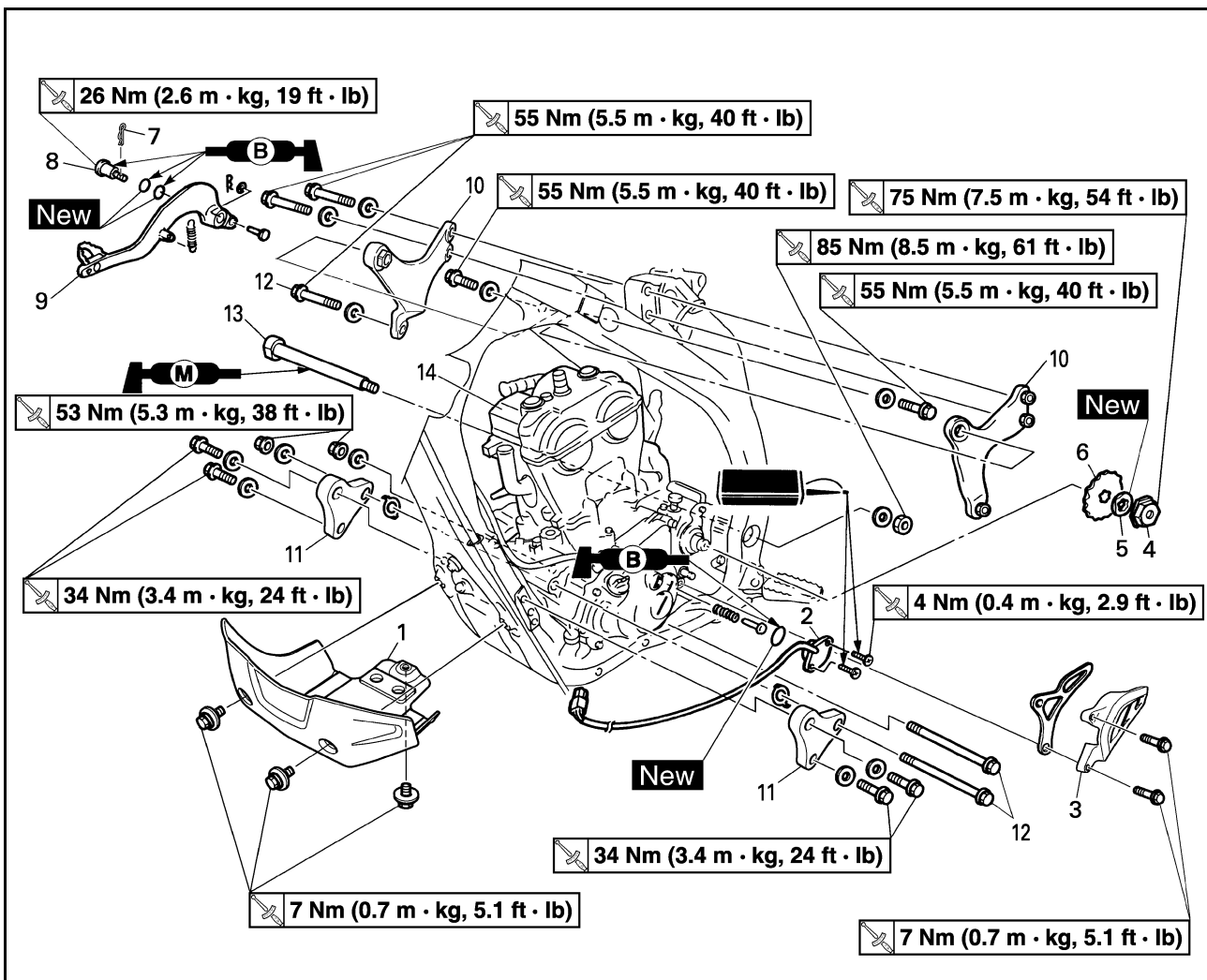
ENGINE REMOVAL

REMOVING THE ENGINE



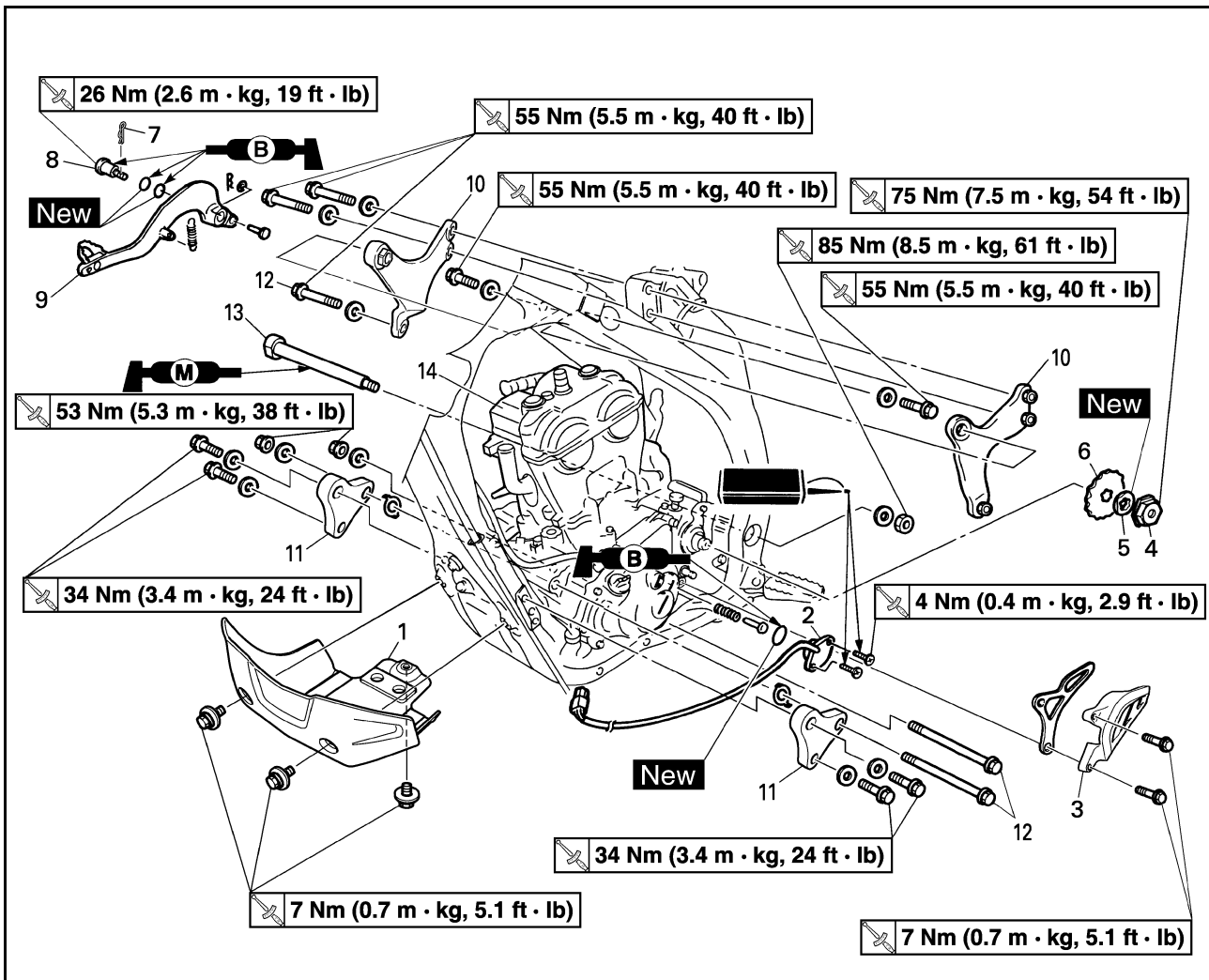
Order	Part name	Q'ty	Remarks
	Hold the machine by placing the suitable stand under the frame.		Refer to "HANDLING NOTE".
	Drain the engine oil.		Refer to "CHANGING THE ENGINE OIL" section in the CHAPTER 3.
	Seat and fuel tank		Refer to "SEAT, FUEL TANK AND SIDE COVERS" section in the CHAPTER 3.
	Radiator		Refer to "RADIATOR" section.
	Exhaust pipe and silencer		Refer to "EXHAUST PIPE AND SILENCER" section in the CHAPTER 3.
	Air cut-off valve assembly		Refer to "AIR INDUCTION SYSTEM" section.
	Clutch cable and guide		Disconnect at the engine side.
	Shift pedal		Refer to "AC MAGNETO AND STARTER CLUTCH" section.

ENGINE REMOVAL



Order	Part name	Q'ty	Remarks
	Rear shock absorber		Refer to "REAR SHOCK ABSORB-ER" section in the CHAPTER 6.
	Carburetor		Refer to "CARBURETOR" section.
	Cylinder head breather hose		Refer to "CAMSHAFTS" section.
	Oil hose and oil tank breather hose		Refer to "OIL PUMP" section.
	Ignition coil		
	Disconnect the AC magneto lead.		
	Disconnect the starter motor lead.		Refer to "ELECTRIC STARTING SYSTEM" section in the CHAPTER 7.
	Negative battery lead		Disconnect at the engine side.
1	Engine guard	1	
2	Neutral switch	1	
3	Drive chain sprocket cover	1	
4	Nut (drive sprocket)	1	Refer to removal section.
5	Lock washer	1	Refer to removal section.
6	Drive sprocket	1	Refer to removal section.

ENGINE REMOVAL



Order	Part name	Q'ty	Remarks
7	Clip	1	
8	Bolt (brake pedal)	1	
9	Brake pedal	1	
10	Upper engine bracket	2	
11	Lower engine bracket	2	
12	Engine mounting bolt	3	
13	Pivot shaft	1	Refer to removal section.
14	Engine	1	Refer to removal section.

HANDLING NOTE

⚠ WARNING

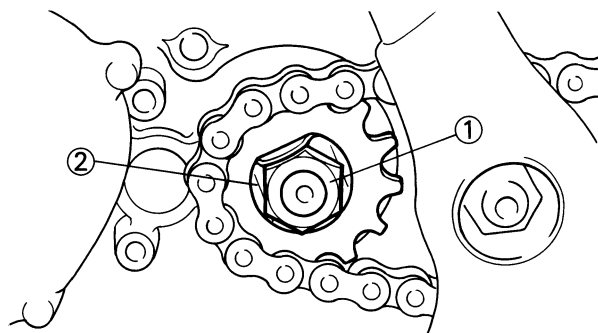
Support the machine securely so there is no danger of it falling over.

REMOVING THE DRIVE SPROCKET

- Remove:
 - Nut (drive sprocket) "1"
 - Lock washer "2"

TIP

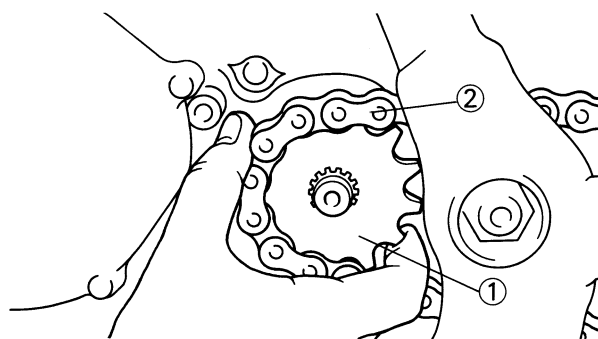
- Straighten the lock washer tab.
- Loosen the nut while applying the rear brake.



- Remove:
 - Drive sprocket "1"
 - Drive chain "2"

TIP

Remove the drive sprocket together with the drive chain.

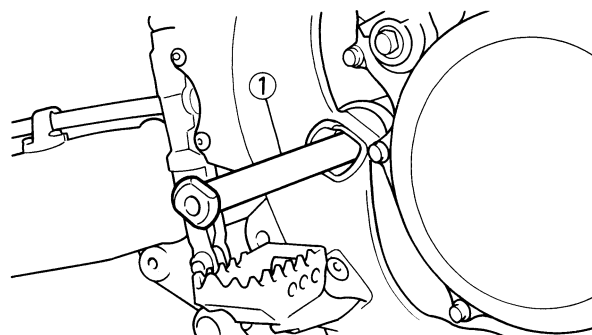


REMOVING THE ENGINE

- Remove:
 - Pivot shaft "1"

TIP

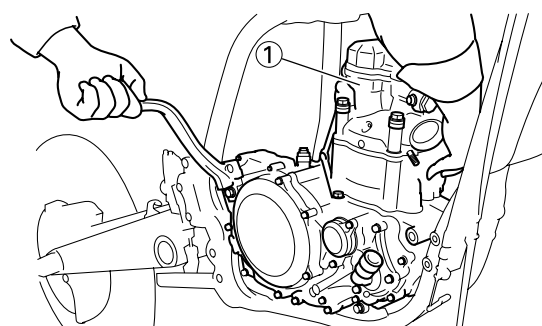
If the pivot shaft is pulled all the way out, the swingarm will come loose. If possible, insert a shaft of similar diameter into the other side of the swingarm to support it.



- Remove:
 - Engine "1"
From right side.


TIP

Make sure that the couplers, hoses and cables are disconnected.




INSTALLING THE ENGINE


- Install:
 - Engine "1"
Install the engine from right side.
 - Pivot shaft "2"

	Pivot shaft: 85 Nm (8.5 m•kg, 61 ft•lb)
---	---


- Engine mounting bolt (lower) "3"

	Engine mounting bolt (lower): 53Nm (5.3 m•kg, 38 ft•lb)
---	---


- Lower engine bracket "4"
- Bolt (lower engine bracket) "5"

	Bolt (lower engine bracket): 34 Nm (3.4 m•kg, 24 ft•lb)
---	---

- Patch "6"
- Engine mounting bolt (front) "7"

	Engine mounting bolt (front): 53 Nm (5.3 m•kg, 38 ft•lb)
---	--

- Upper engine bracket "8"
- Bolt (upper engine bracket) "9"

	Bolt (upper engine bracket): 55 Nm (5.5 m•kg, 40 ft•lb)
---	---

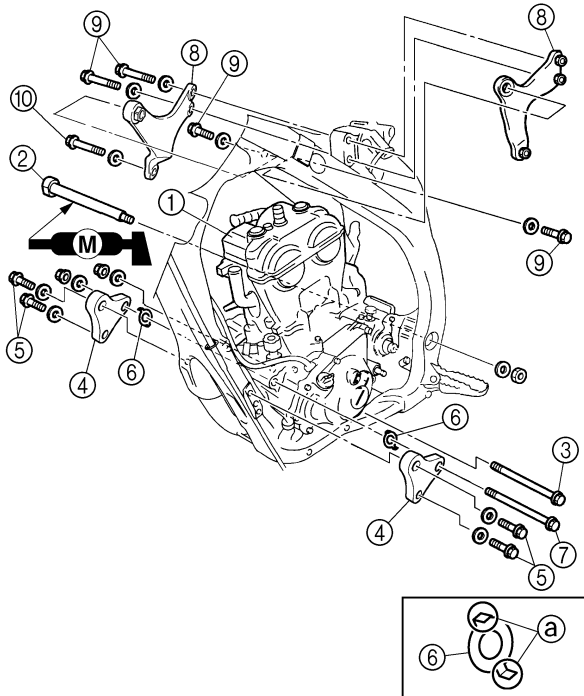
- Engine mounting bolt (upper) "10"



Engine mounting bolt (upper):
55 Nm (5.5 m•kg, 40 ft•lb)

TIP

- Apply the molybdenum disulfide grease on the pivot shaft.
- Install the patch with the claw "a" facing outside the chassis.



INSTALLING THE BRAKE PEDAL

1. Install:

- Spring "1"
- Brake pedal "2"
- O-ring "3" **New**
- Bolt (brake pedal) "4"

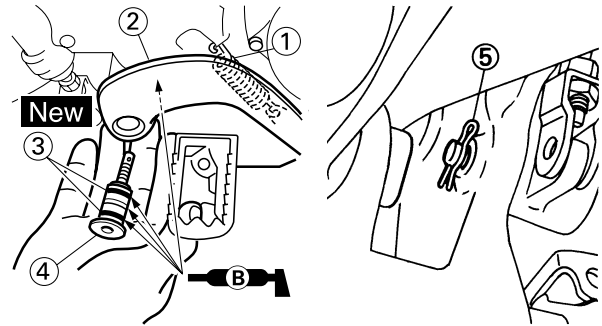


Bolt (brake pedal):
26 Nm (2.6 m•kg, 19 ft•lb)

- Clip "5"

TIP

Apply the lithium soap base grease on the bolt, O-rings and brake pedal bracket.



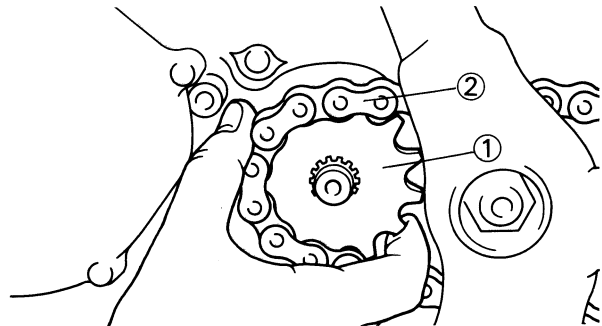
INSTALLING THE DRIVE SPROCKET

1. Install:

- Drive sprocket "1"
- Drive chain "2"

TIP

Install the drive sprocket together with the drive chain.



2. Install:

- Lock washer "1" **New**
- Nut (drive sprocket) "2"



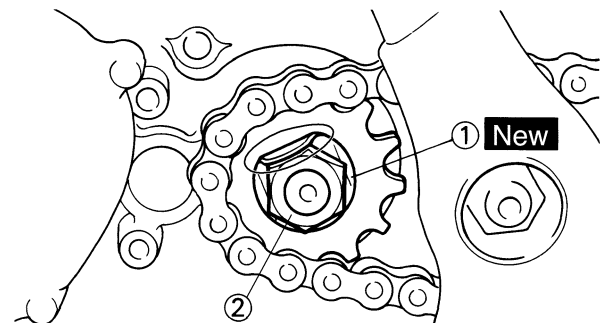
Nut (drive sprocket):
75 Nm (7.5 m•kg, 54 ft•lb)

TIP

Tighten the nut while applying the rear brake.

NOTICE

Make sure to tighten to specification; otherwise, it may damage the other part that is fastened together.



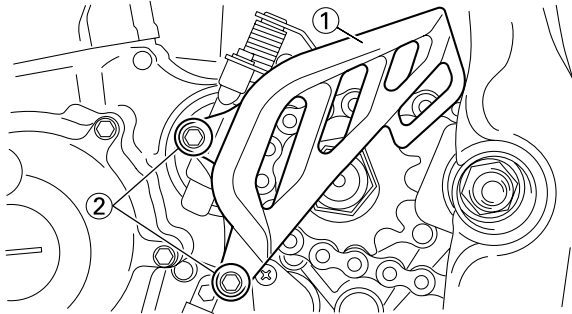
3. Bend the lock washer tab to lock the nut.

4. Install:

- Drive chain sprocket guide
- Drive chain sprocket cover "1"
- Bolt (drive chain sprocket cover) "2"



Bolt (drive chain sprocket cover):
7 Nm (0.7 m•kg, 5.1 ft•lb)



INSTALLING THE NEUTRAL SWITCH

1. Install:

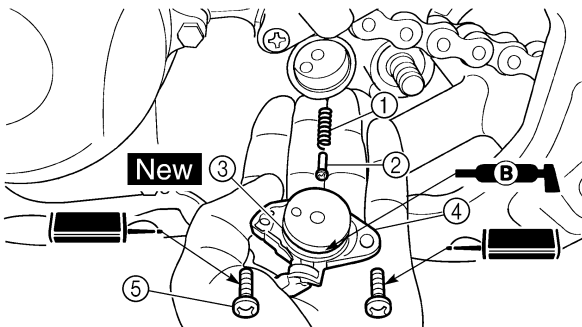
- Spring "1"
- Pin "2"
- O-ring "3" **New**
- Neutral switch "4"
- Screw (neutral switch) "5"



Screw (neutral switch):
4 Nm (0.4 m•kg, 2.9 ft•lb)

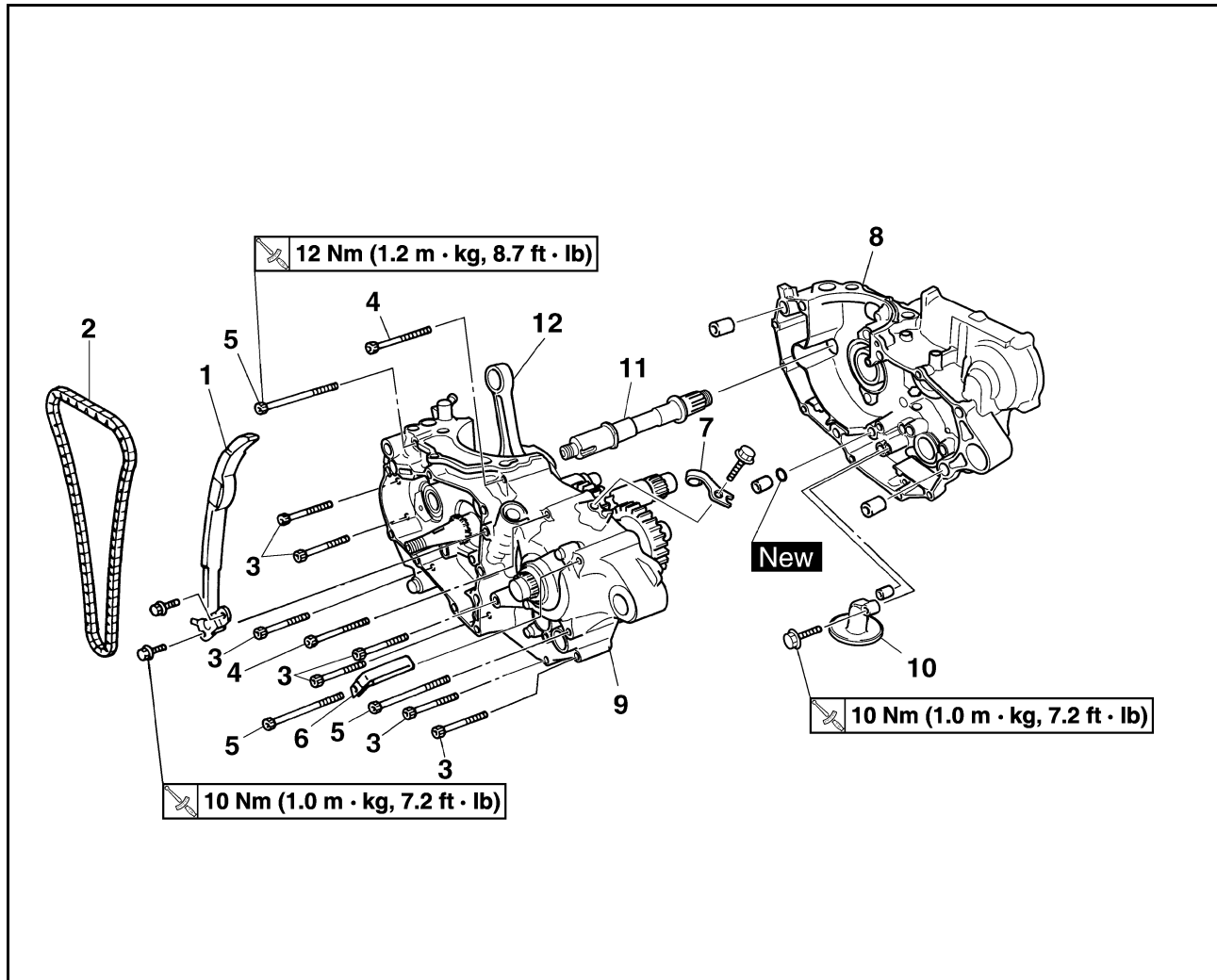
TIP

Apply the lithium soap base grease on the O-ring.



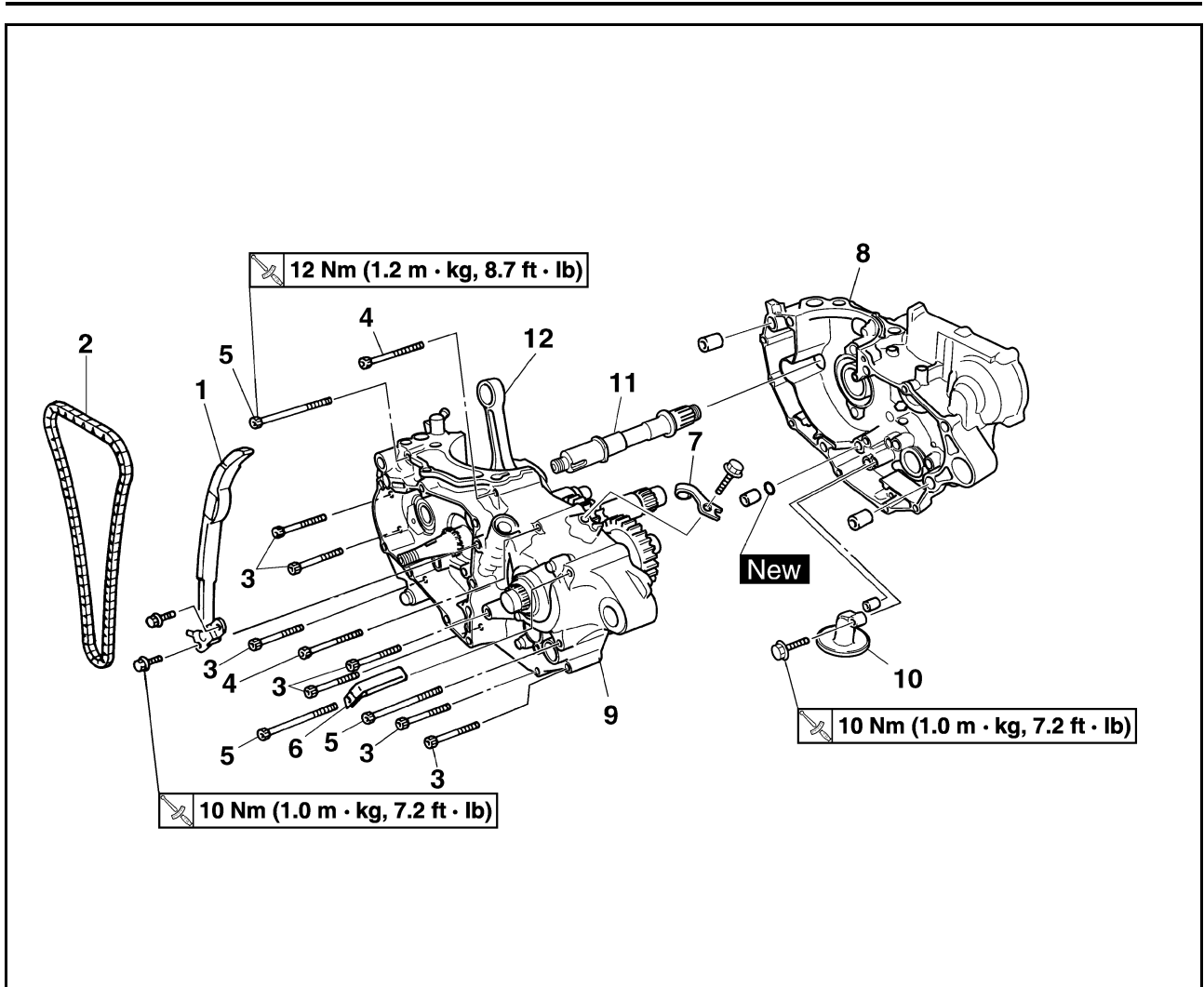
CRANKCASE AND CRANKSHAFT

REMOVING THE CRANKSHAFT



Order	Part name	Q'ty	Remarks
	Engine		Refer to "ENGINE REMOVAL" section.
	Piston		Refer to "CYLINDER AND PISTON" section.
	Balancer		Refer to "BALANCER" section.
	Kick shaft assembly		Refer to "KICK SHAFT AND SHIFT SHAFT" section.
	Segment		Refer to "KICK SHAFT AND SHIFT SHAFT" section.
	Stator		Refer to "AC MAGNETO AND STARTER CLUTCH" section.
1	Timing chain guide (intake side)	1	
2	Timing chain	1	
3	Bolt [L = 50 mm (1.97 in)]	7	Refer to removal section.
4	Bolt [L = 60 mm (2.36 in)]	2	Refer to removal section.

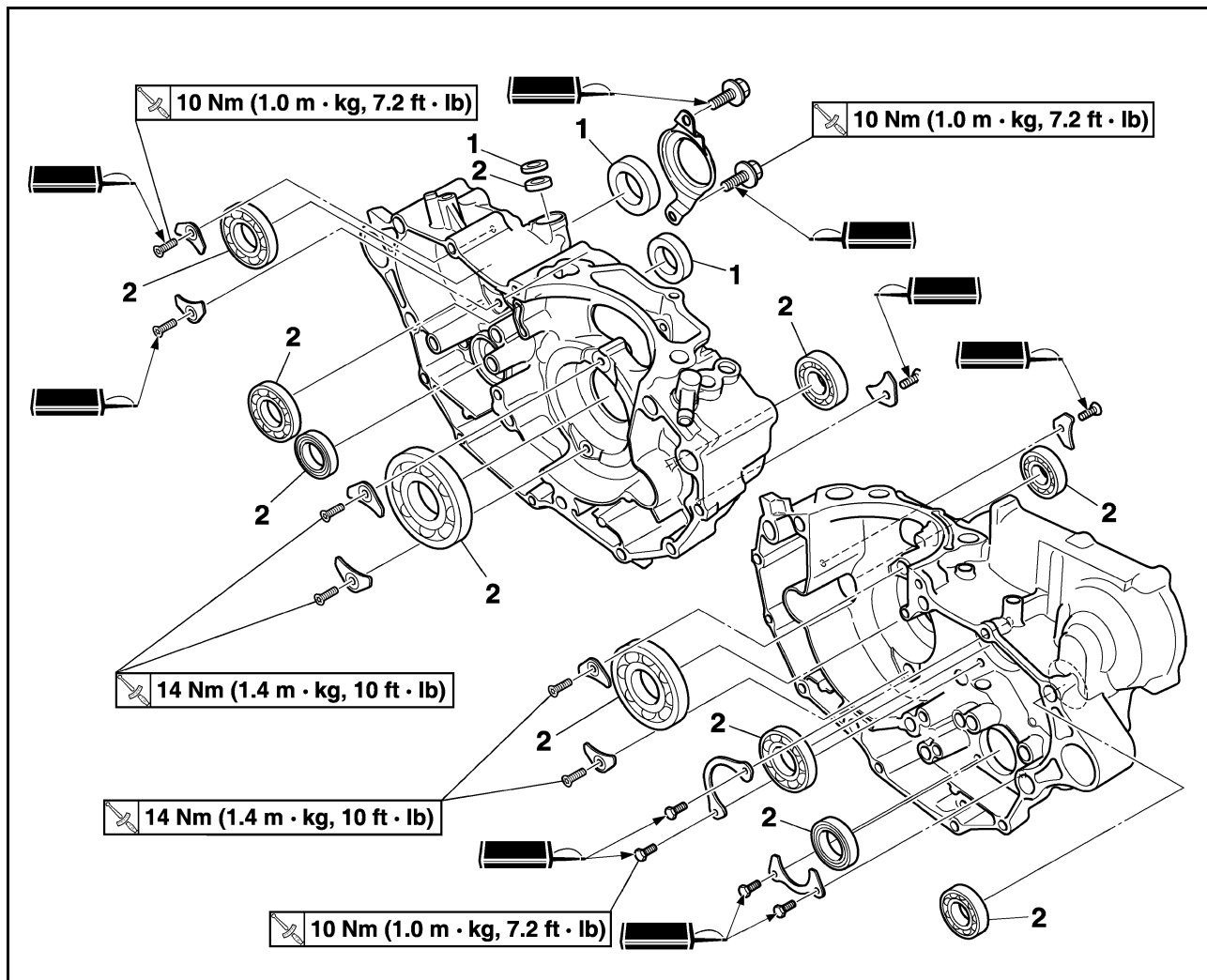
CRANKCASE AND CRANKSHAFT



Order	Part name	Q'ty	Remarks
5	Bolt [L = 80 mm (3.15 in)]	3	Refer to removal section.
6	Hose guide	1	Refer to removal section.
7	Clutch cable holder	1	Refer to removal section.
8	Right crankcase	1	Refer to removal section.
9	Left crankcase	1	Refer to removal section.
10	Oil strainer	1	
11	Balancer shaft	1	Refer to removal section.
12	Crankshaft	1	Refer to removal section.

CRANKCASE AND CRANKSHAFT

REMOVING THE CRANKCASE BEARING



Order	Part name	Q'ty	Remarks
	Transmission		Refer to "TRANSMISSION, SHIFT CAM AND SHIFT FORK" section.
	Shift cam and shift fork		Refer to "TRANSMISSION, SHIFT CAM AND SHIFT FORK" section.
1	Oil seal	3	
2	Bearing	10	Refer to removal section.

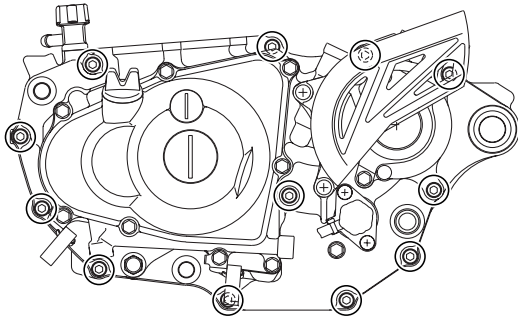
DISASSEMBLING THE CRANKCASE

1. Separate:
 - Right crankcase
 - Left crankcase



Separation steps:

- a. Remove the crankcase bolts, hose guide and clutch cable holder.



TIP

Loosen each bolt 1/4 of a turn at a time and after all the bolts are loosened, remove them.

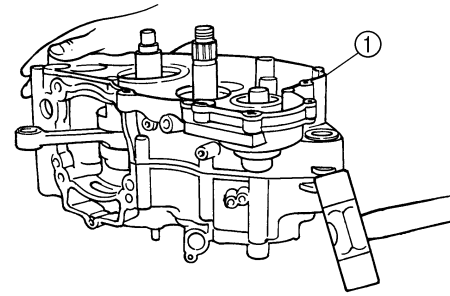
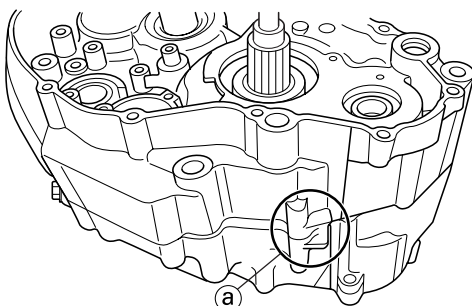
- b. Remove the right crankcase.

TIP

- Place the crankcase with its left side downward and split it by inserting a screwdriver tip into the splitting slit "a" in the crankcase.
- Lift the right crankcase horizontally while lightly patting the case splitting slit and engine mounting boss using a soft hammer, and leave the crankshaft and transmission with the left crankcase.

NOTICE

Use soft hammer to tap on the case half. Tap only on reinforced portions of case. Do not tap on gasket mating surface. Work slowly and carefully. Make sure the case halves separate evenly. If the cases do not separate, check for a remaining case bolt or fitting. Do not force.



- c. Remove the dowel pins and O-ring.

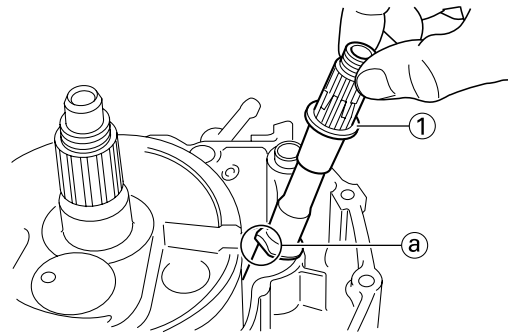


REMOVING THE BALANCER SHAFT

1. Remove:
 - Balancer shaft "1"

TIP

Remove the balancer shaft with its flat side "a" facing the crankshaft.



REMOVING THE CRANKSHAFT

1. Remove:
 - Crankshaft "1"
- Use the crankcase separating tool "2".

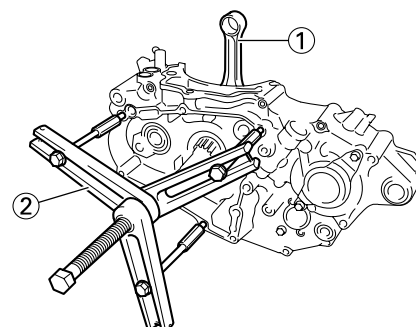


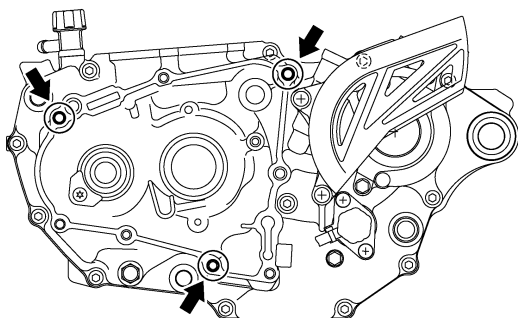
TIP

Install the crankcase separating tool as shown.

NOTICE

Do not use a hammer to drive out the crankshaft.



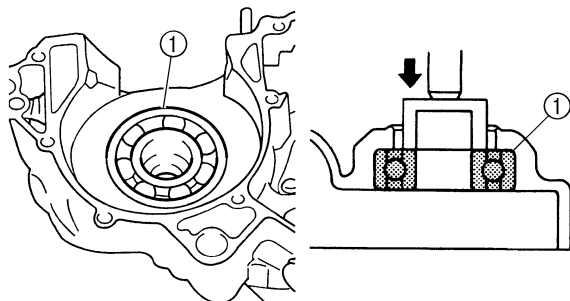


REMOVING THE CRANKCASE BEARING

- Remove:
 - Bearing "1"

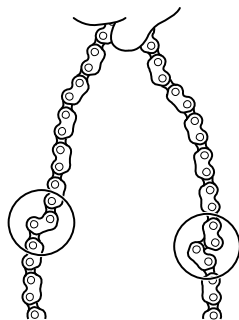
TIP

- Remove the bearing from the crankcase by pressing its inner race.
- Do not use the removed bearing.



CHECKING THE TIMING CHAIN AND TIMING CHAIN GUIDE

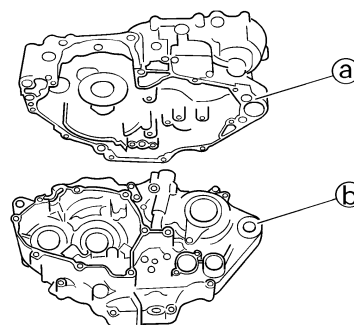
- Inspect:
 - Timing chain
 Cracks/stiff → Replace the timing chain and camshaft sprocket as a set.



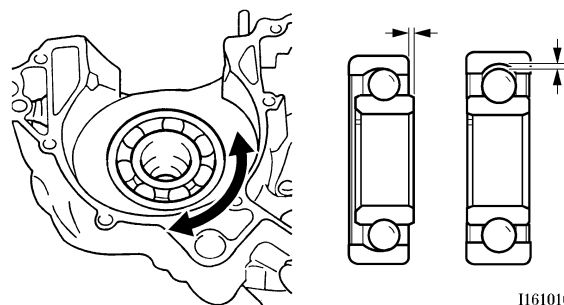
- Inspect:
 - Timing chain guide
 Wear/damage → Replace.

CHECKING THE CRANKCASE

- Inspect:
 - Contacting surface "a"
 - Scratches → Replace.
 - Engine mounting boss "b", crankcase
 - Cracks/damage → Replace.



- Inspect:
 - Bearing
 Rotate inner race with a finger.
 Rough spot/seizure → Replace.

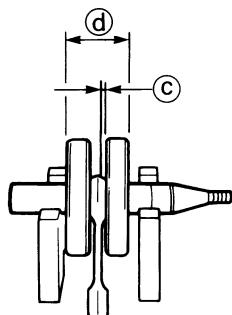
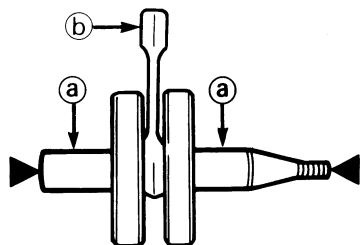


- Inspect:
 - Oil seal
 Damage → Replace.

CHECKING THE CRANKSHAFT

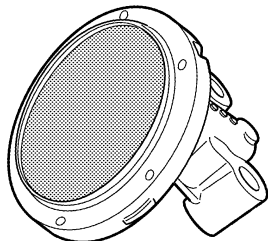
- Measure:
 - Runout limit "a"
 - Small end free play limit "b"
 - Connecting rod big end side clearance "c"
 - Crank width "d"
 Out of specification → Replace.
 Use the dial gauge and a thickness gauge.

Dial gauge and stand: YU-3097/90890-01252			
	Standard	<Limit>	
Runout limit:	0.03 mm (0.0012 in)	0.05 mm (0.002 in)	
Small end free play:	0.4–1.0 mm (0.016–0.039 in)	2.0 mm (0.08 in)	
Side clearance:	0.15–0.45 mm (0.0059–0.0177 in)	0.50 mm (0.02 in)	
Crack width:	61.95–62.00 mm (2.439–2.441 in)	—	



CHECKING THE OIL STRAINER

- Inspect:
 - Oil strainer
 - Damage → Replace.




INSTALLING THE CRANKCASE BEARING

- Install:
 - Bearing **New**
 - Bearing stopper
 - Bolt (bearing stopper) 



Bolt (bearing stopper):
10 Nm (1.0 m•kg, 7.2 ft•lb)

- Screw (bearing stopper) 



Screw (bearing stopper):
10 Nm (1.0 m•kg, 7.2 ft•lb)

- Screw [bearing stopper (crankshaft)] "1"

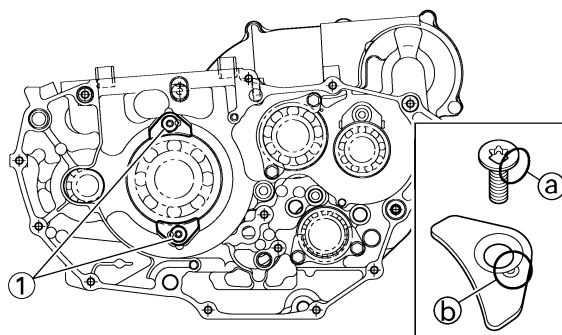


Screw [bearing stopper (crankshaft)]:
14 Nm (1.4 m•kg, 1.0 ft•lb)

To left and right crankcase.

TIP

- Install the bearing by pressing its outer race parallel.
- To prevent the screw [bearing stopper (crankshaft)] from becoming loose, crush the screw head periphery "a" into the concave "b" using a punch etc. In so doing, take care not to damage the screwdriver receiving hole in the screw head.



INSTALLING THE CRANKSHAFT

- Install:
 - Crankshaft "1"
 - Use the crankshaft installing tool "2", "3", "4" and "5".



Crankshaft installing pot "2":
YU-90050/90890-01274
Crankshaft installing bolt "3":
YU-90050/90890-01275
Adapter (M12) "4":
YU-90063/90890-01278
Spacer (crankshaft installer) "5":
YM-91044/90890-04081

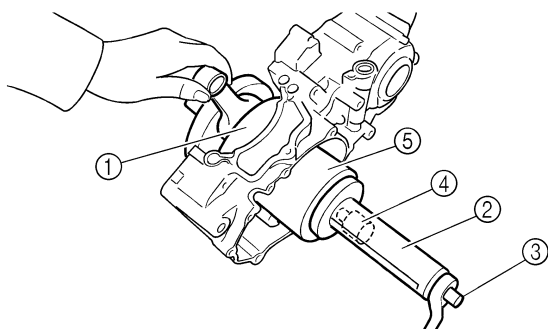
TIP

- Hold the connecting rod at top dead center with one hand while turning the nut of the installing tool with the other. Operate the installing tool until the crankshaft bottoms against the bearing.
- Before installing the crankshaft, clean the contacting surface of crankcase.

NOTICE

Do not use a hammer to drive in the crankshaft.

CRANKCASE AND CRANKSHAFT

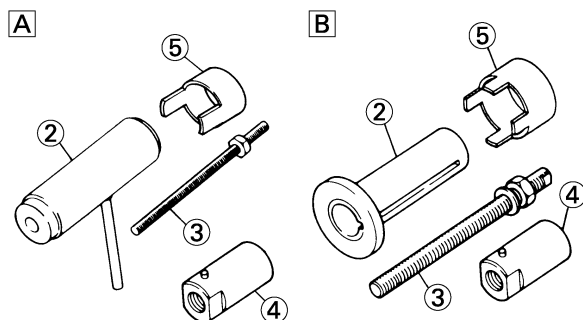


4. Apply:
- Sealant
On the right crankcase.

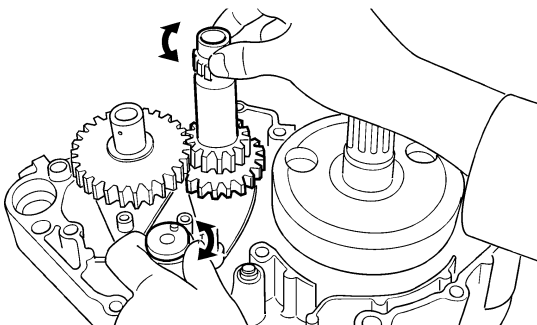


YAMAHA Bond No. 1215 (Three-Bond® No.1215):
90890-85505

TIP
Clean the contacting surface of left and right crankcase before applying the sealant.



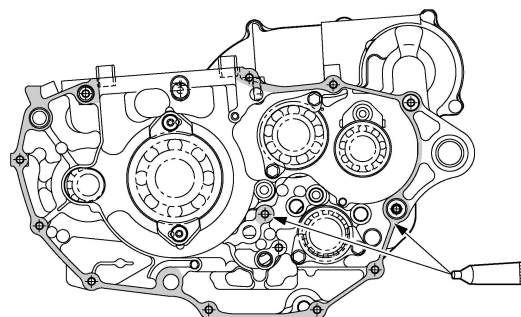
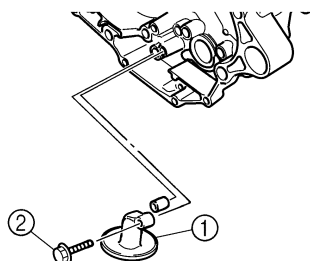
- A. For USA and CDN
B. Except for USA and CDN
2. Check:
- Shifter operation
 - Transmission operation
- Unsmooth operation → Repair.



3. Install:
- Oil strainer "1"
 - Bolt (oil strainer) "2"



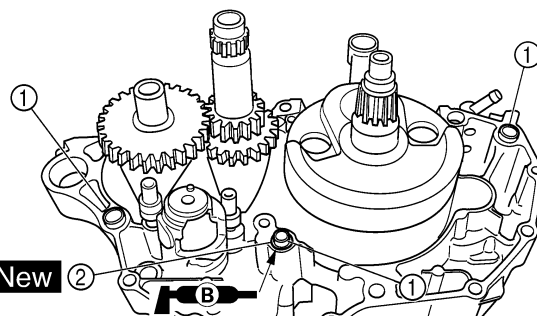
Bolt (oil strainer):
10 Nm (1.0 m•kg, 7.2 ft•lb)



5. Install:
- Dowel pin "1"
 - O-ring "2" **New**
 - Right crankcase
To left crankcase.

TIP

- Apply the lithium soap base grease on the O-ring.
- Fit the right crankcase onto the left crankcase. Tap lightly on the case with soft hammer.
- When installing the crankcase, the connecting rod should be positioned at TDC (top dead center).



6. Tighten:
- Hose guide "1"
 - Clutch cable holder "2"
 - Bolt (clutch cable holder)



Bolt (clutch cable holder):
10 Nm (1.0 m•kg, 7.2 ft•lb)

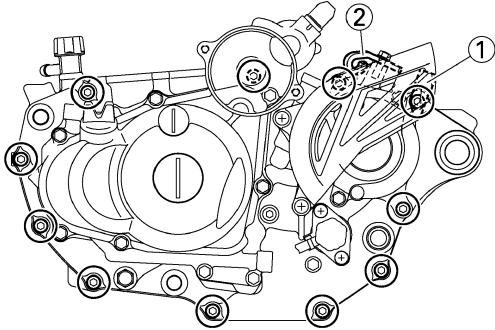
- Bolt (crankcase)



Bolt (crankcase):
12 Nm (1.2 m•kg, 8.7 ft•lb)

TIP

Tighten the crankcase tightening bolts in stage, using a crisscross pattern.



7. Install:

- Timing chain
- Timing chain guide (intake side)
- Bolt (timing chain guide)



Bolt (timing chain guide):
10 Nm (1.0 m•kg, 7.2 ft•lb)

8. Remove:

- Sealant
Forced out on the cylinder mating surface.

9. Apply:

- Engine oil
To the crank pin, bearing and oil delivery hole.

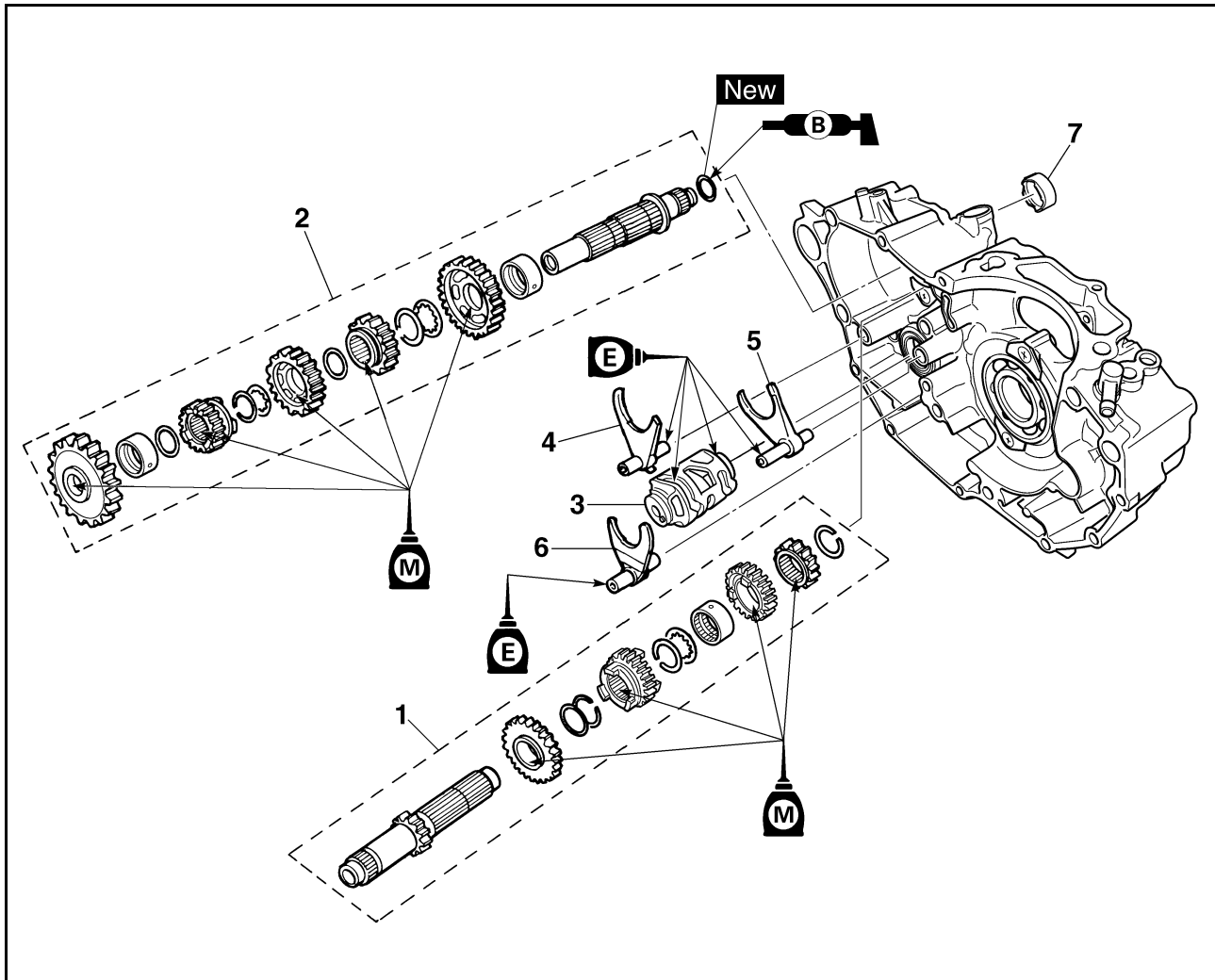
10. Check:

- Crankshaft and transmission operation.
Unsmooth operation → Repair.

TRANSMISSION, SHIFT CAM AND SHIFT FORK

TRANSMISSION, SHIFT CAM AND SHIFT FORK

REMOVING THE TRANSMISSION, SHIFT CAM AND SHIFT FORK



Order	Part name	Q'ty	Remarks
	Engine		Refer to "ENGINE REMOVAL" section.
	Separate the crankcase.		Refer to "CRANKCASE AND CRANKSHAFT" section.
1	Main axle	1	Refer to removal section.
2	Drive axle	1	Refer to removal section.
3	Shift cam	1	Refer to removal section.
4	Shift fork 3	1	Refer to removal section.
5	Shift fork 2	1	Refer to removal section.
6	Shift fork 1	1	Refer to removal section.
7	Collar	1	

TRANSMISSION, SHIFT CAM AND SHIFT FORK

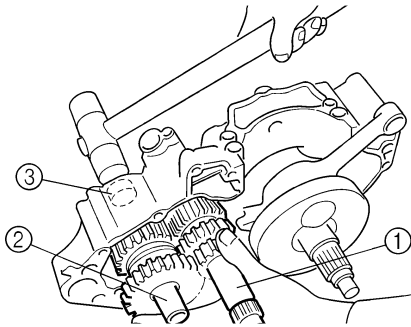
REMOVING THE TRANSMISSION

1. Remove:

- Main axle "1"
- Drive axle "2"
- Shift cam
- Shift fork 3
- Shift fork 2
- Shift fork 1

TIP

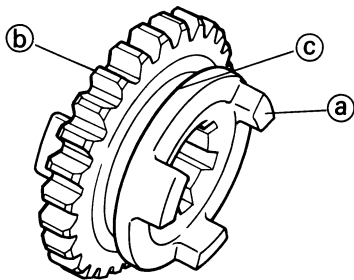
- Remove assembly with the collar "3" installed to the crankcase.
- Remove assembly carefully. Note the position of each part. Pay particular attention to the location and direction of shift forks.
- Remove the main axle, drive axle, shift cam and shift fork all together by tapping lightly on the transmission drive axle with a soft hammer.



CHECKING THE GEARS

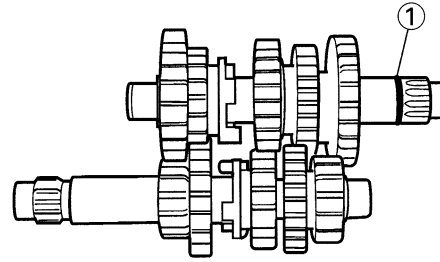
1. Inspect:

- Matching dog "a"
 - Gear teeth "b"
 - Shift fork groove "c"
- Wear/damage → Replace.



2. Inspect:

- O-ring "1"
- Damage → Replace.



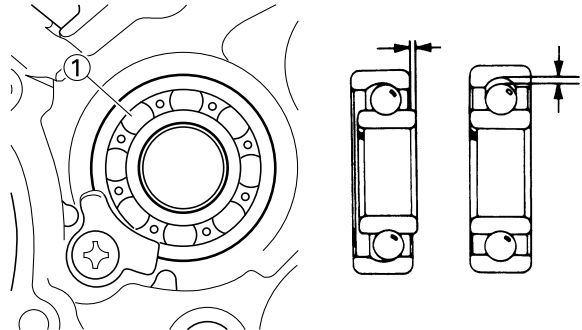
3. Check:

- Gears movement
Unsmooth movement → Repair or replace.

CHECKING THE BEARING

1. Inspect:

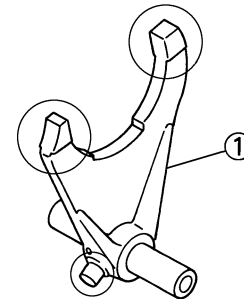
- Bearing "1"
- Rotate inner race with a finger.
Rough spot/seizure → Replace.



CHECKING THE SHIFT FORK, SHIFT CAM AND SEGMENT

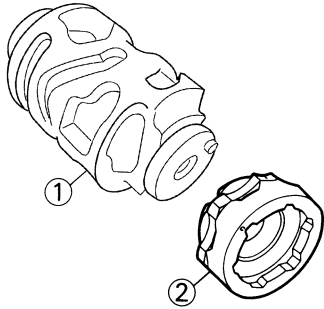
1. Inspect:

- Shift fork "1"
- Wear/damage/scratches → Replace.



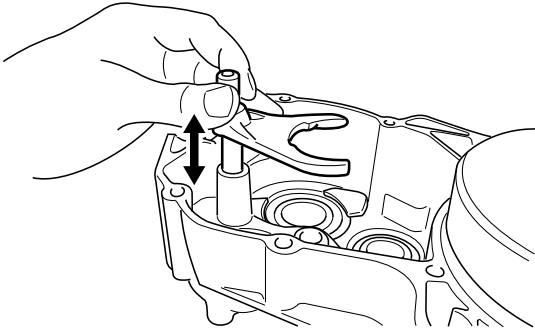
2. Inspect:

- Shift cam "1"
 - Segment "2"
- Wear/damage → Replace.



3. Check:

- Shift fork movement
Unsmooth operation → Replace shift fork.



TIP

For a malfunctioning shift fork, replace not only the shift fork itself but the two gears each adjacent to the shift fork.

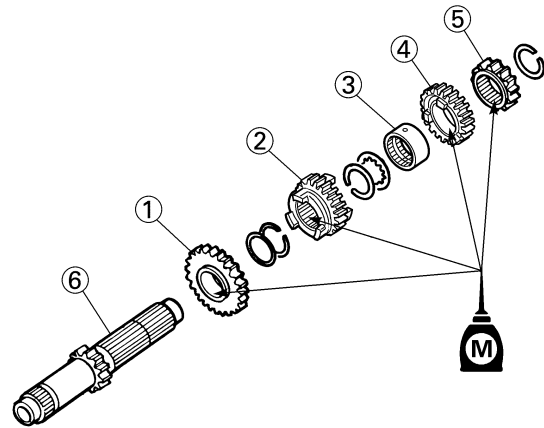
INSTALLING THE TRANSMISSION

1. Install:

- 5th pinion gear (25T) "1"
- 3rd pinion gear (16T) "2"
- Collar "3"
- 4th pinion gear (20T) "4"
- 2nd pinion gear (15T) "5"
To main axle "6".

TIP

Apply the molybdenum disulfide oil on the inner and end surface of the idler gear and on the inner surface of the sliding gear, then install.



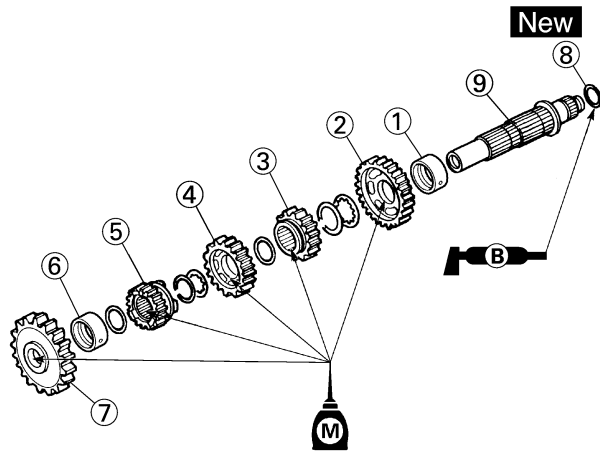
2. Install:

- Collar "1"
- 2nd wheel gear (26T) "2"
- 4th wheel gear (21T) "3"
- 3rd wheel gear (21T) "4"
- 5th wheel gear (21T) "5"
- Collar "6"
- 1st wheel gear (29T) "7"
- O-ring "8" **New**
To drive axle "9".

TIP

- Apply the molybdenum disulfide oil on the inner and end surface of the idler gear and on the inner surface of the sliding gear, then install.
- Apply the lithium soap base grease on the O-ring.

TRANSMISSION, SHIFT CAM AND SHIFT FORK

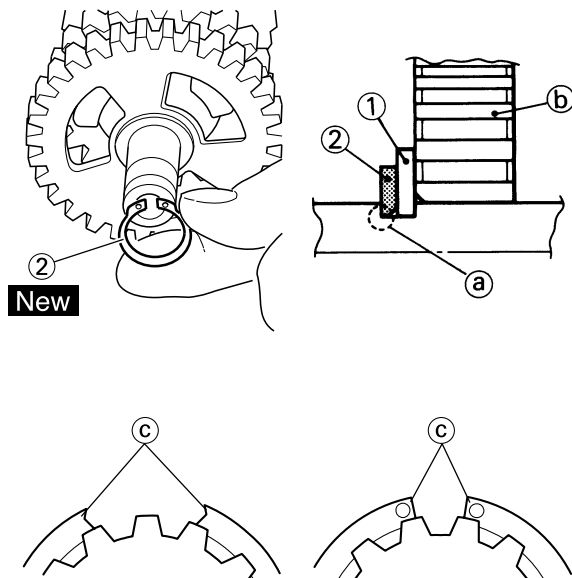


3. Install:

- Washer "1"
- Circlip "2" **New**

TIP

- Be sure the circlip sharp-edged corner "a" is positioned opposite side to the washer and gear "b".
- Install the circlip with its ends "c" settled evenly on the spline crests.

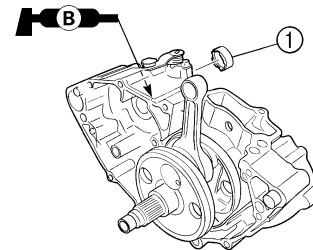


4. Install:

- Collar "1"

TIP

- Apply the lithium soap base grease on the oil seal lip.
- When installing the collar into the crankcase, pay careful attention to the crankcase oil seal lip.

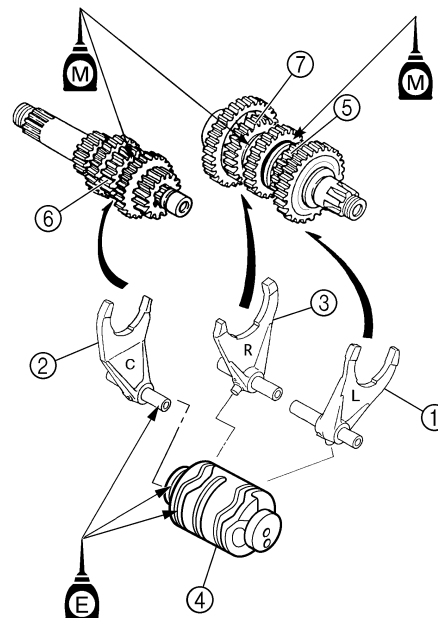


5. Install:

- Shift fork 1 (L) "1"
 - Shift fork 2 (C) "2"
 - Shift fork 3 (R) "3"
 - Shift cam "4"
- To main axle and drive axle.

TIP

- Apply the molybdenum disulfide oil on the shift fork grooves.
- Apply engine oil to the shift cam groove, bearing contact surface and shift fork shaft.
- Mesh the shift fork #1 (L) with the 4th wheel gear "5" and #3 (R) with the 5th wheel gear "7" on the drive axle.
- Mesh the shift fork #2 (C) with the 3rd pinion gear "6" on the main axle.



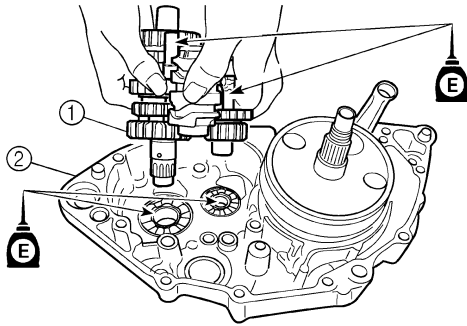
TRANSMISSION, SHIFT CAM AND SHIFT FORK

6. Install:

- Transmission assembly "1"
To left crankcase "2".

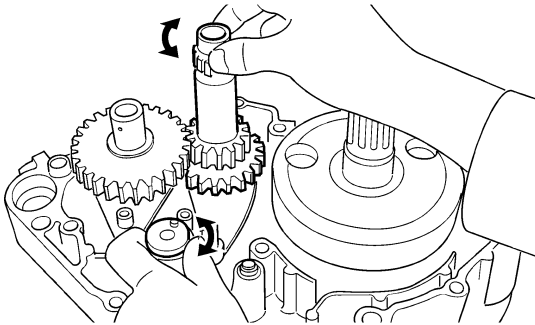
TIP

Apply the engine oil on the bearings and guide bars.



7. Check:

- Shifter operation
 - Transmission operation
- Unsmooth operation → Repair.



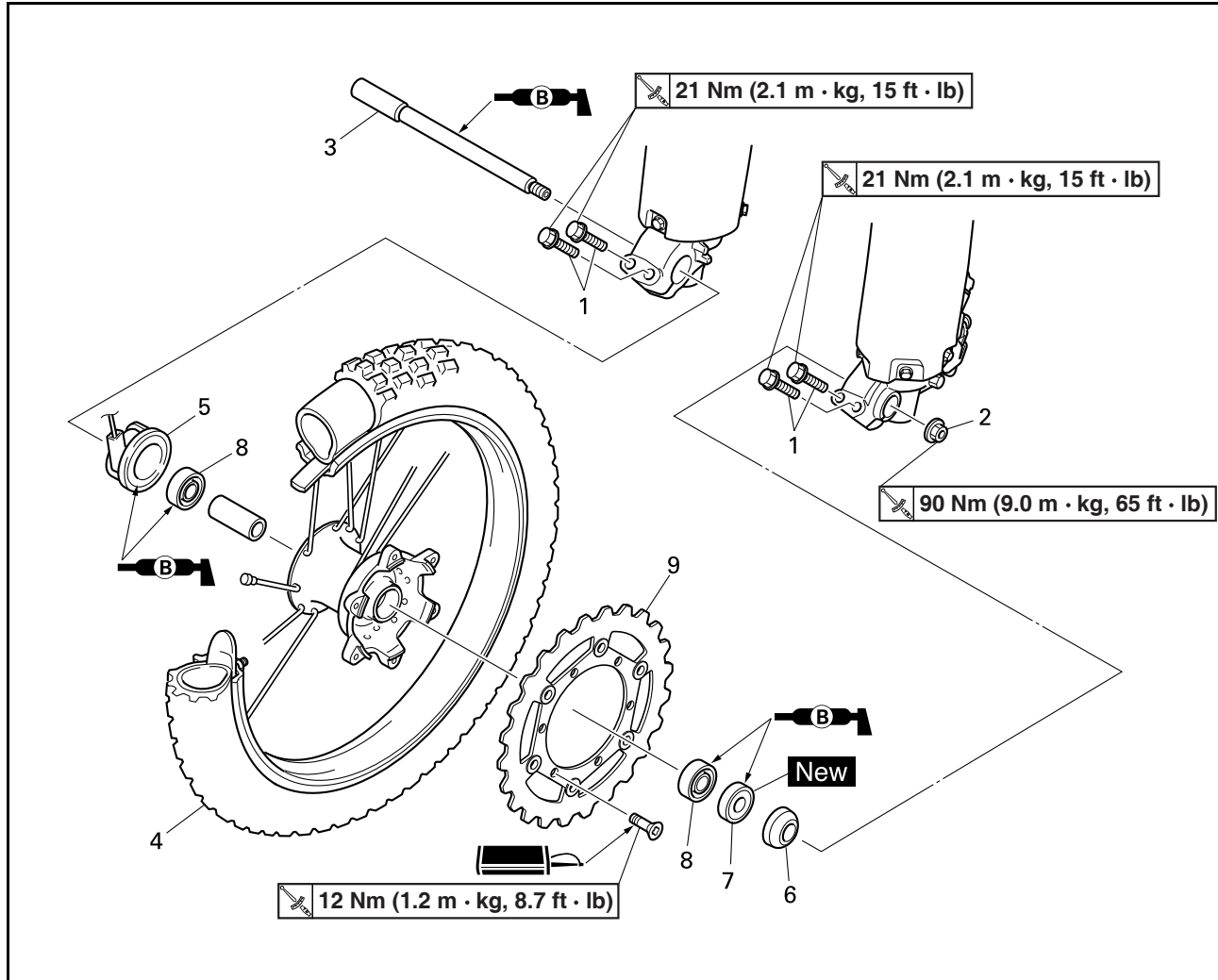
CHASSIS

TIP

This section is intended for those who have basic knowledge and skill concerning the servicing of Yamaha motorcycles (e.g., Yamaha dealers, service engineers, etc.) Those who have little knowledge and skill concerning servicing are requested not to undertake inspection, adjustment, disassembly, or reassembly only by reference to this manual. It may lead to servicing trouble and mechanical damage.

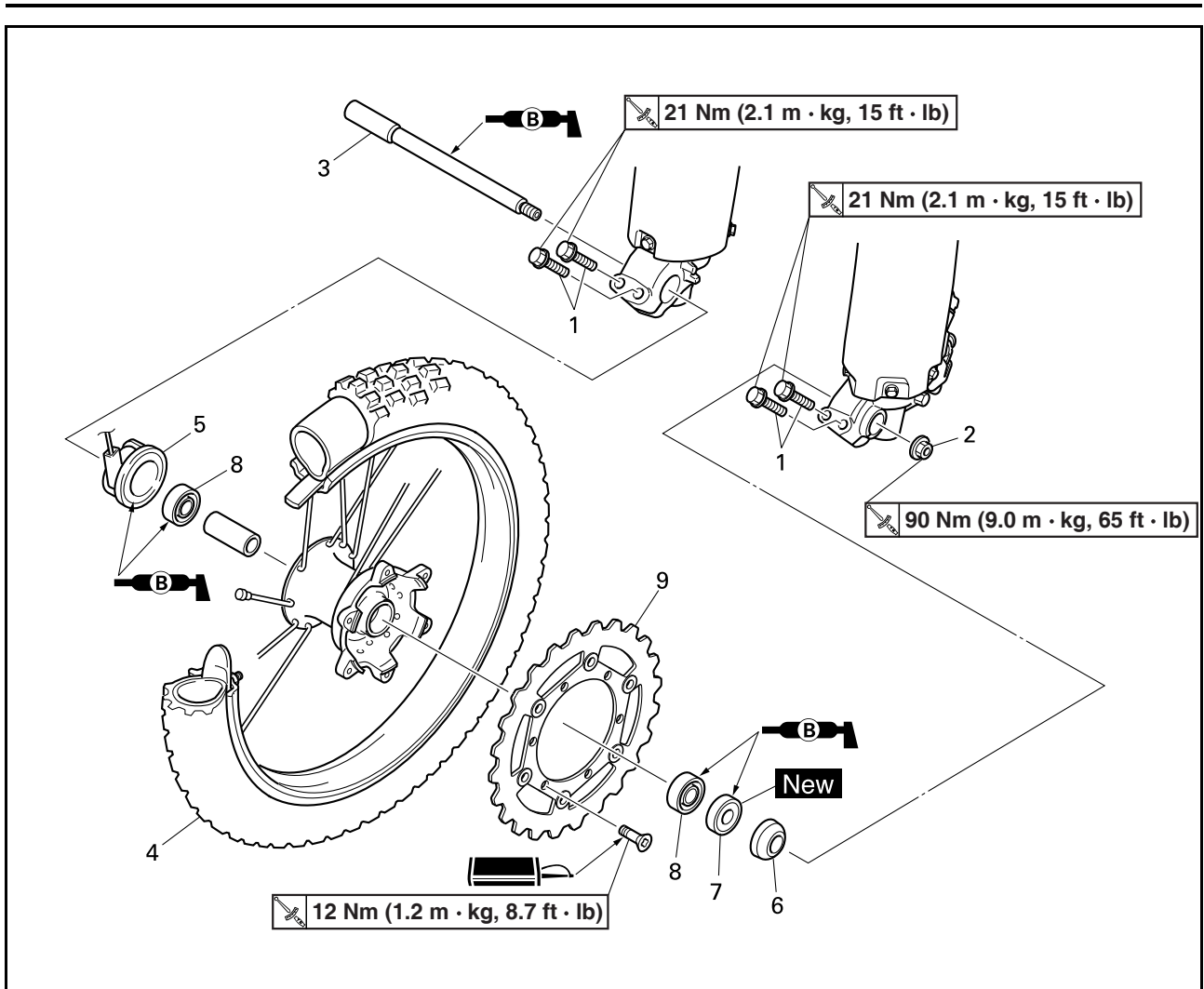
FRONT WHEEL AND REAR WHEEL

REMOVING THE FRONT WHEEL



Order	Part name	Q'ty	Remarks
	Hold the machine by placing the suitable stand under the engine.		Refer to "HANDLING NOTE".
1	Bolt (axle holder)	4	Only loosening.
2	Nut (front wheel axle)	1	
3	Front wheel axle	1	
4	Front wheel	1	
5	Speed sensor	1	
6	Collar	1	

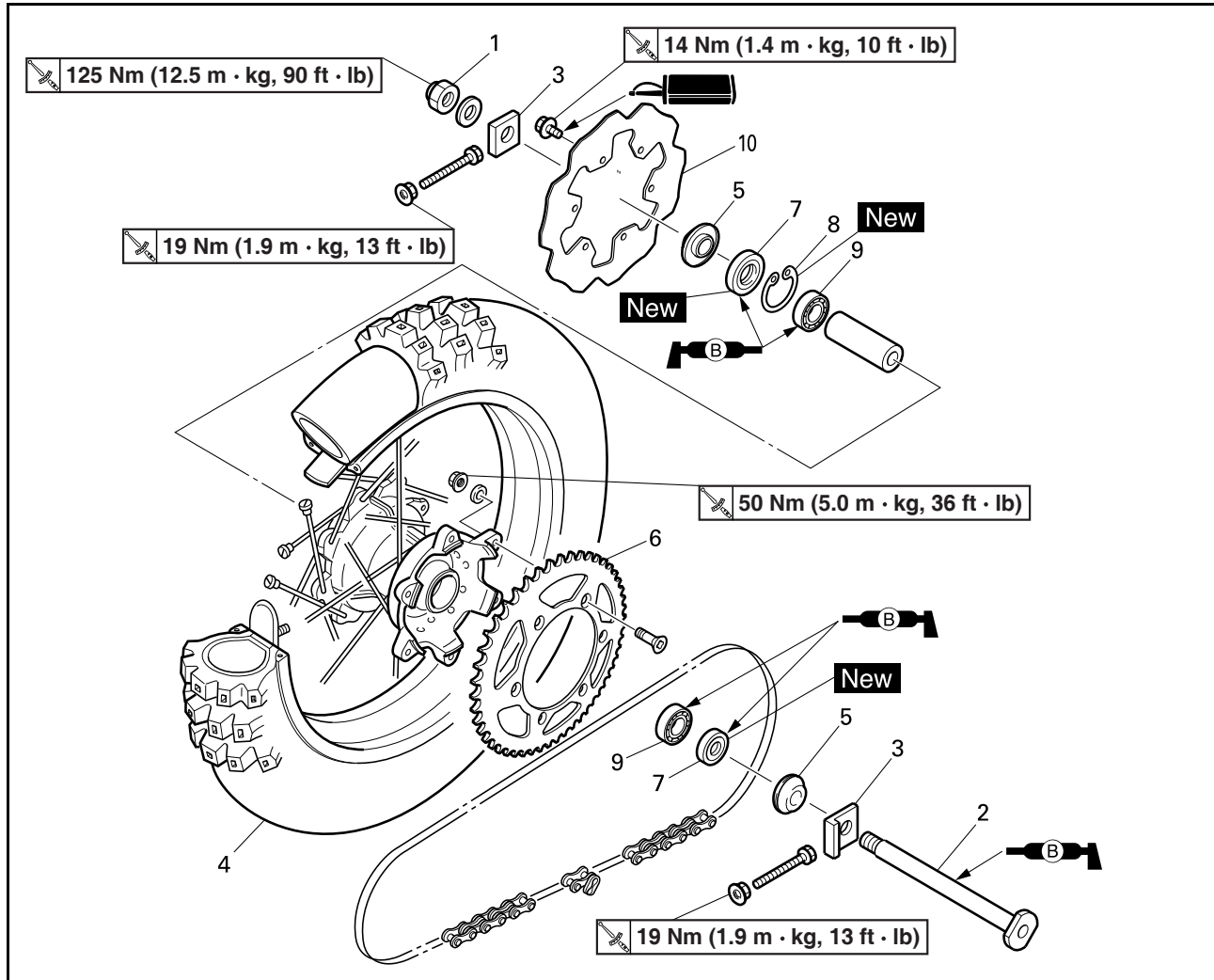
FRONT WHEEL AND REAR WHEEL



Order	Part name	Q'ty	Remarks
7	Oil seal	1	
8	Bearing	2	Refer to removal section.
9	Brake disc	1	

FRONT WHEEL AND REAR WHEEL

REMOVING THE REAR WHEEL



Order	Part name	Q'ty	Remarks
	Hold the machine by placing the suitable stand under the engine.		Refer to "HANDLING NOTE".
1	Nut (rear wheel axle)	1	
2	Rear wheel axle	1	
3	Drive chain puller	2	
4	Rear wheel	1	Refer to removal section.
5	Collar	2	
6	Rear wheel sprocket	1	
7	Oil seal	2	
8	Circlip	1	
9	Bearing	2	Refer to removal section.
10	Brake disc	1	

FRONT WHEEL AND REAR WHEEL

HANDLING NOTE

⚠ WARNING

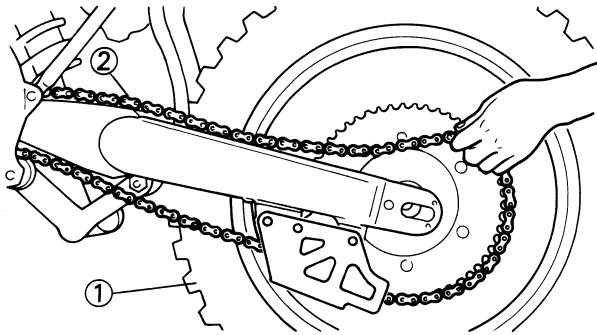
Support the machine securely so there is no danger of it falling over.

REMOVING THE REAR WHEEL

1. Remove:
 - Wheel "1"

TIP

Push the wheel forward and remove the drive chain "2".

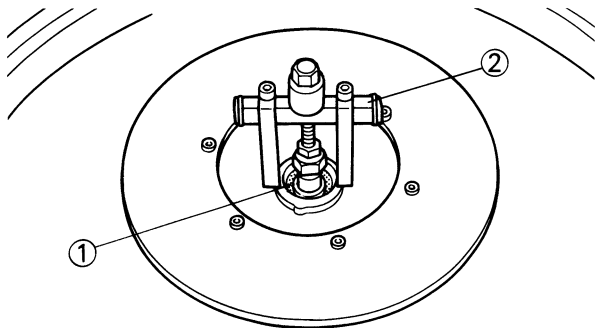


REMOVING THE WHEEL BEARING

1. Remove:
 - Bearing "1"

TIP

Remove the bearing using a general bearing puller "2".



CHECKING THE WHEEL

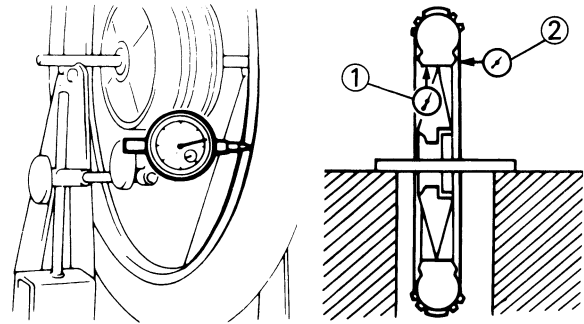
1. Measure:
 - Wheel runoutOut of limit → Repair/replace.



Wheel runout limit:

Radial "1": 2.0 mm (0.08 in)

Lateral "2": 2.0 mm (0.08 in)

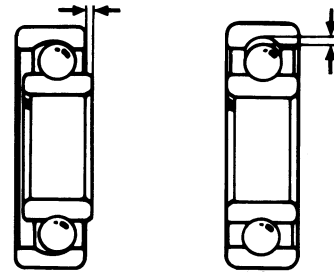


2. Inspect:

- Bearing
- Rotate inner race with a finger.
Rough spot/seizure → Replace.

TIP

Replace the bearings, oil seal and wheel collar as a set.



CHECKING THE WHEEL AXLE

1. Measure:
 - Wheel axle bendsOut of specification → Replace.
Use the dial gauge "1".



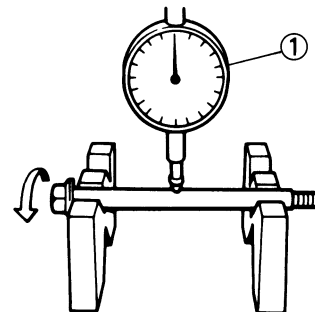
Wheel axle bending limit:
0.5 mm (0.020 in)

TIP

The bending value is shown by one half of the dial gauge reading.

⚠ WARNING

Do not attempt to straighten a bent axle.




FRONT WHEEL AND REAR WHEEL

CHECKING THE BRAKE DISC


1. Measure:

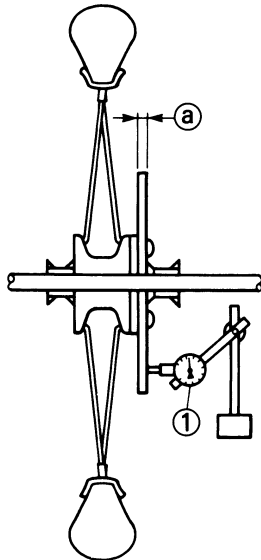
- Brake disc deflection (only rear brake disc)
Use the dial gauge "1".
Out of specification → Inspect wheel runout.
If wheel runout is in good condition, replace the brake disc.

	Brake disc deflection limit:
	Rear: <Limit>: 0.15 mm (0.006 in)

2. Measure:

- Brake disc thickness "a"
Out of limit → Replace.

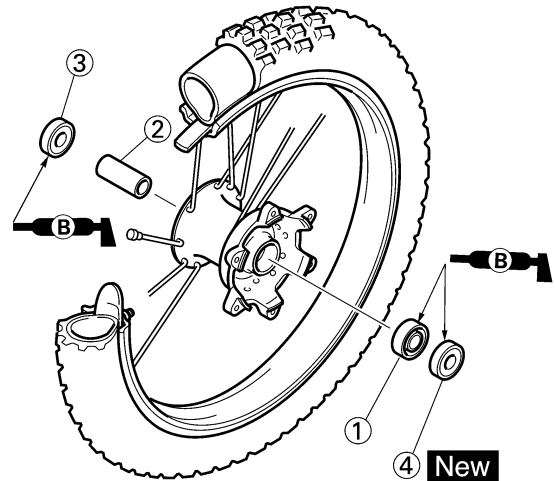
	Brake disc thickness:
	Front: 3.0 mm (0.12 in) <Limit>: 2.5 mm (0.10 in)
	Rear: 4.0 mm (0.16 in) <Limit>: 3.5 mm (0.14 in)




- Use a socket that matches the outside diameter of the race of the bearing.
- Left side of bearing shall be installed first.
- Install the oil seal with its manufacture's marks or numbers facing outward.


NOTICE

Do not strike the inner race of the bearing. Contact should be made only with the outer race.



2. Install:

- Brake disc "1"
- Bolt (brake disc) "2" 

	Bolt (brake disc):
	12 Nm (1.2 m•kg, 8.7 ft•lb)

TIP

Tighten the bolts in stage, using a crisscross pattern.

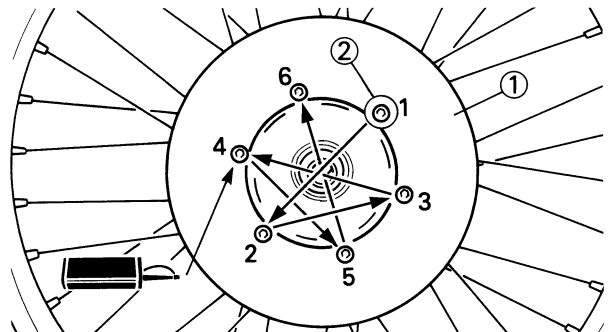
INSTALLING THE FRONT WHEEL

1. Install:

- Bearing (left) "1"
- Spacer "2"
- Bearing (right) "3"
- Oil seal "4" **New**

TIP

- Apply the lithium soap base grease on the bearing and oil seal lip when installing.



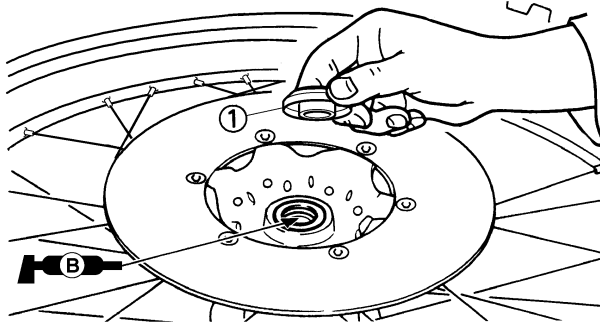
FRONT WHEEL AND REAR WHEEL

3. Install:

- Collar "1"

TIP

Apply the lithium soap base grease on the oil seal lip.

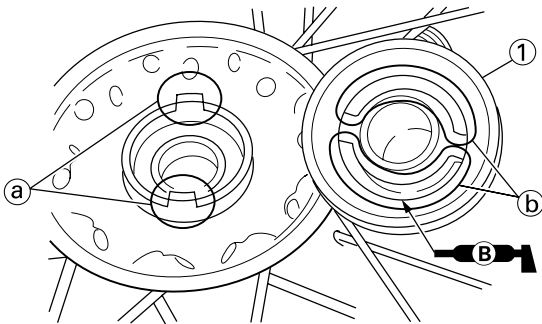


4. Install:

- Speed sensor "1"

TIP

- Apply the lithium soap base grease on the oil seal lip of the speed sensor.
- Make sure the two projections "a" in the wheel hub are meshed with the two slots "b" in the speed sensor.

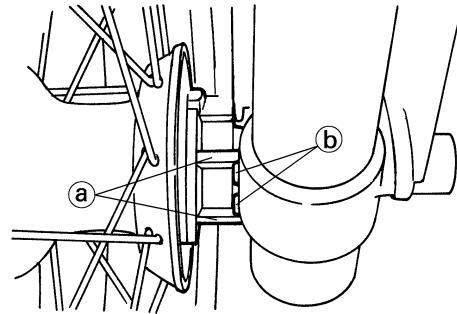
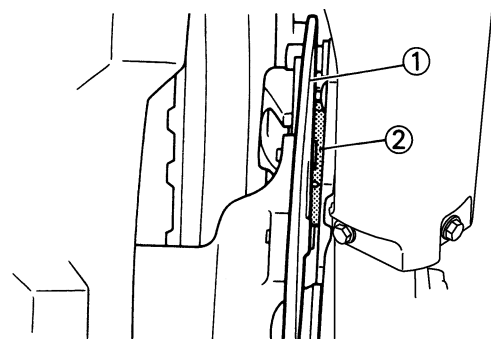


5. Install:

- Wheel

TIP

- Install the brake disc "1" between the brake pads "2" correctly.
- Make sure that the projections "a" in the speed sensor fits over the stopper "b" on the front fork inner tube.

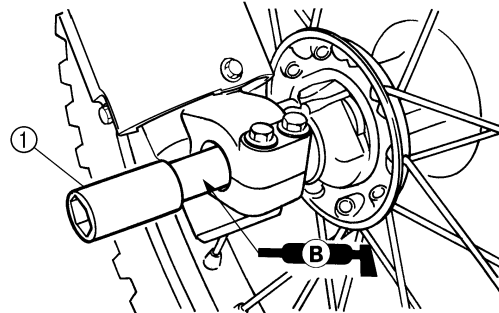


6. Install:

- Wheel axle "1"


TIP

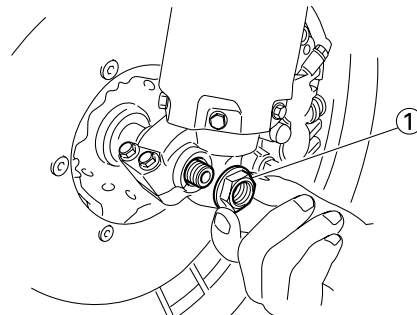
Apply the lithium soap base grease on the wheel axle.



7. Install:


- Nut (wheel axle) "1"

	Nut (wheel axle): 90 Nm (9.0 m•kg, 65 ft•lb)
---	---



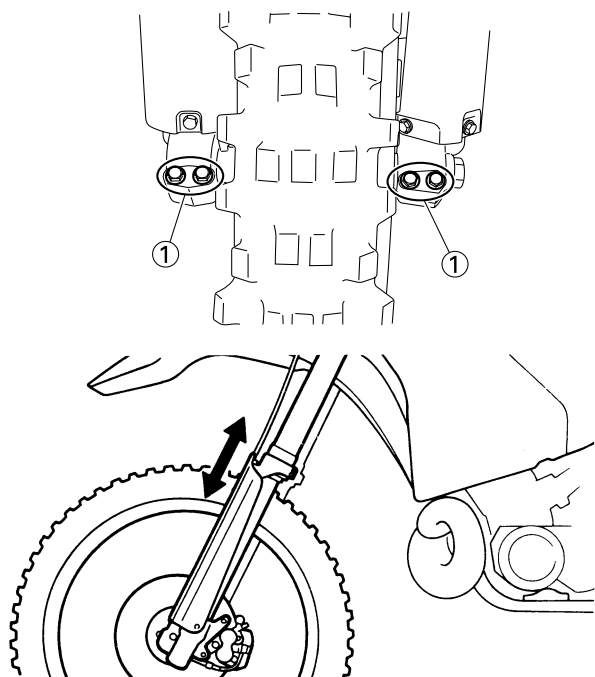
8. Tighten:

- Bolt (axle holder) "1"

	Bolt (axle holder): 21 Nm (2.1 m•kg, 15 ft•lb)
---	---

TIP

Before tightening the bolt, fit the wheel axle to the axle holder by stroking the front fork several times with the front brake applied.



INSTALLING THE REAR WHEEL

1. Install:

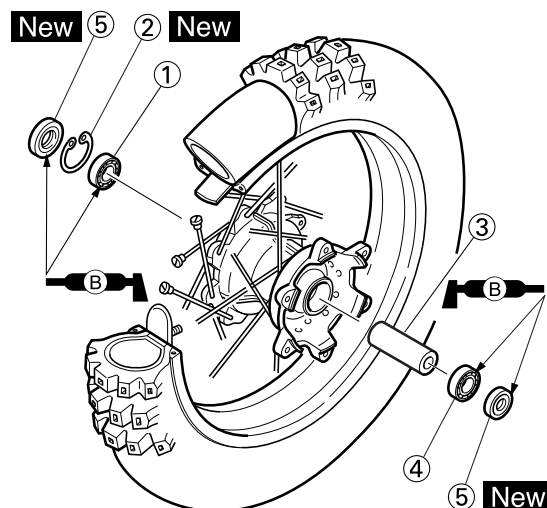
- Bearing (right) "1"
- Circlip "2" **New**
- Spacer "3"
- Bearing (left) "4"
- Oil seal "5" **New**

TIP

- Apply the lithium soap base grease on the bearing and oil seal lip when installing.
- Install the bearing with seal facing outward.
- Use a socket that matches the outside diameter of the race of the bearing.
- Right side of bearing shall be installed first.
- Install the oil seal with its manufacture's marks or numbers facing outward.

NOTICE

Do not strike the inner race of the bearing. Contact should be made only with the outer race.



2. Install:

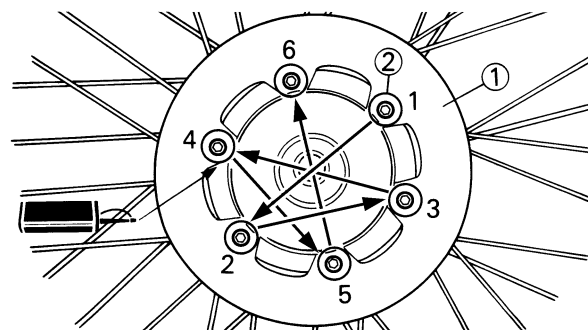
- Brake disc "1"
- Bolt (brake disc) "2"



Bolt (brake disc):
14 Nm (1.4 m•kg, 10 ft•lb)

TIP

Tighten the bolts in stage, using a crisscross pattern.



3. Install:

- Rear wheel sprocket "1"
- Bolt (rear wheel sprocket) "2"
- Washer (rear wheel sprocket) "3"
- Nut (rear wheel sprocket) "4"

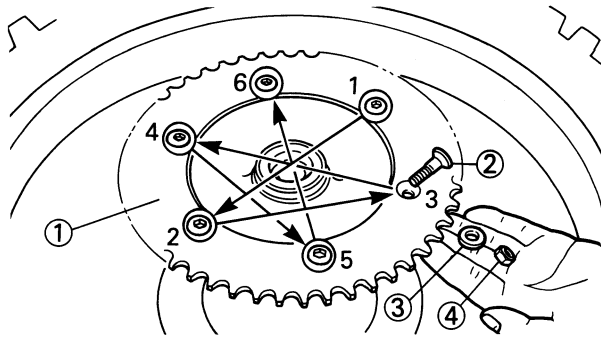


Nut (rear wheel sprocket):
50 Nm (5.0 m•kg, 36 ft•lb)

TIP

Tighten the nuts in stage, using a crisscross pattern.

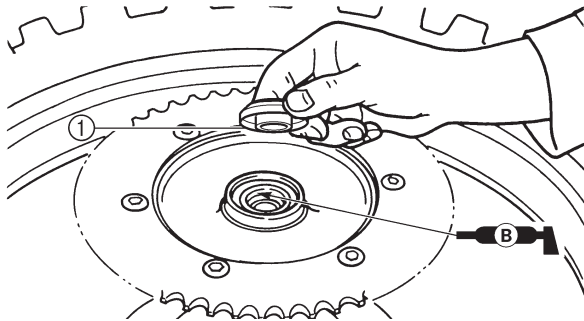
FRONT WHEEL AND REAR WHEEL



4. Install:
• Collar "1"

TIP

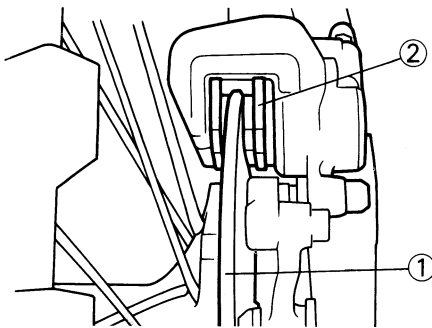
Apply the lithium soap base grease on the oil seal lip.



5. Install:
• Wheel

TIP

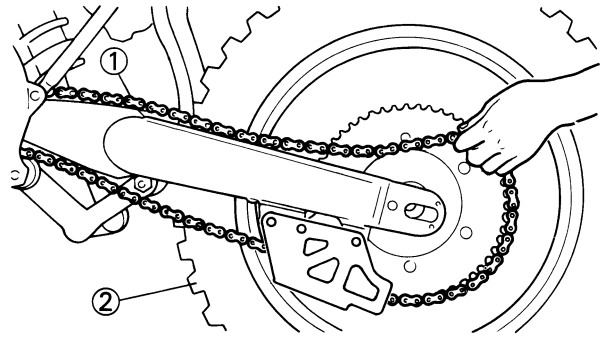
Install the brake disc "1" between the brake pads "2" correctly.



6. Install:
• Drive chain "1"

TIP

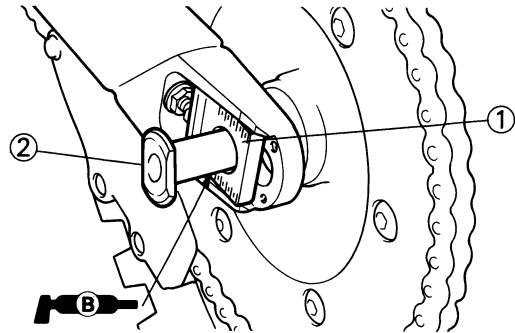
Push the wheel "2" forward and install the drive chain.



7. Install:
• Left drive chain puller "1"
• Wheel axle "2"

TIP

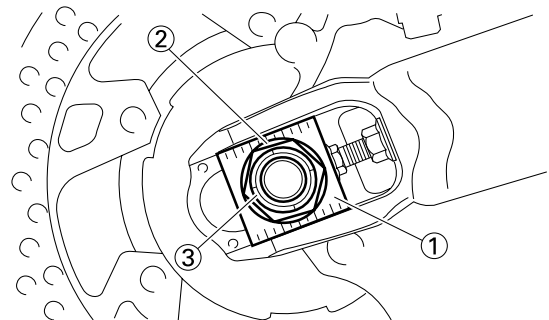
- Install the left drive chain puller, and insert the wheel axle from left side.
• Apply the lithium soap base grease on the wheel axle.



8. Install:
• Right drive chain puller "1"
• Washer "2"
• Nut (wheel axle) "3"

TIP


Temporarily tighten the nut (wheel axle) at this point.



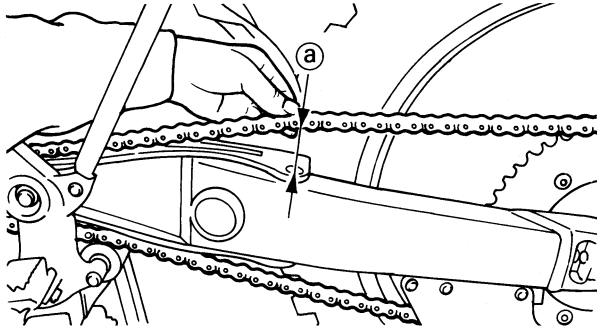
FRONT WHEEL AND REAR WHEEL

9. Adjust:

- Drive chain slack "a"


	Drive chain slack: 48–58 mm (1.9–2.3 in)
---	--

Refer to "ADJUSTING THE DRIVE CHAIN SLACK" section in the CHAPTER 3.




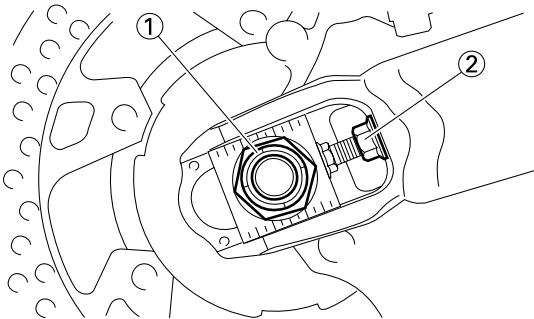
10. Tighten:

- Nut (wheel axle) "1"

	Nut (wheel axle): 125 Nm (12.5 m•kg, 90 ft•lb)
---	--

- Locknut "2"

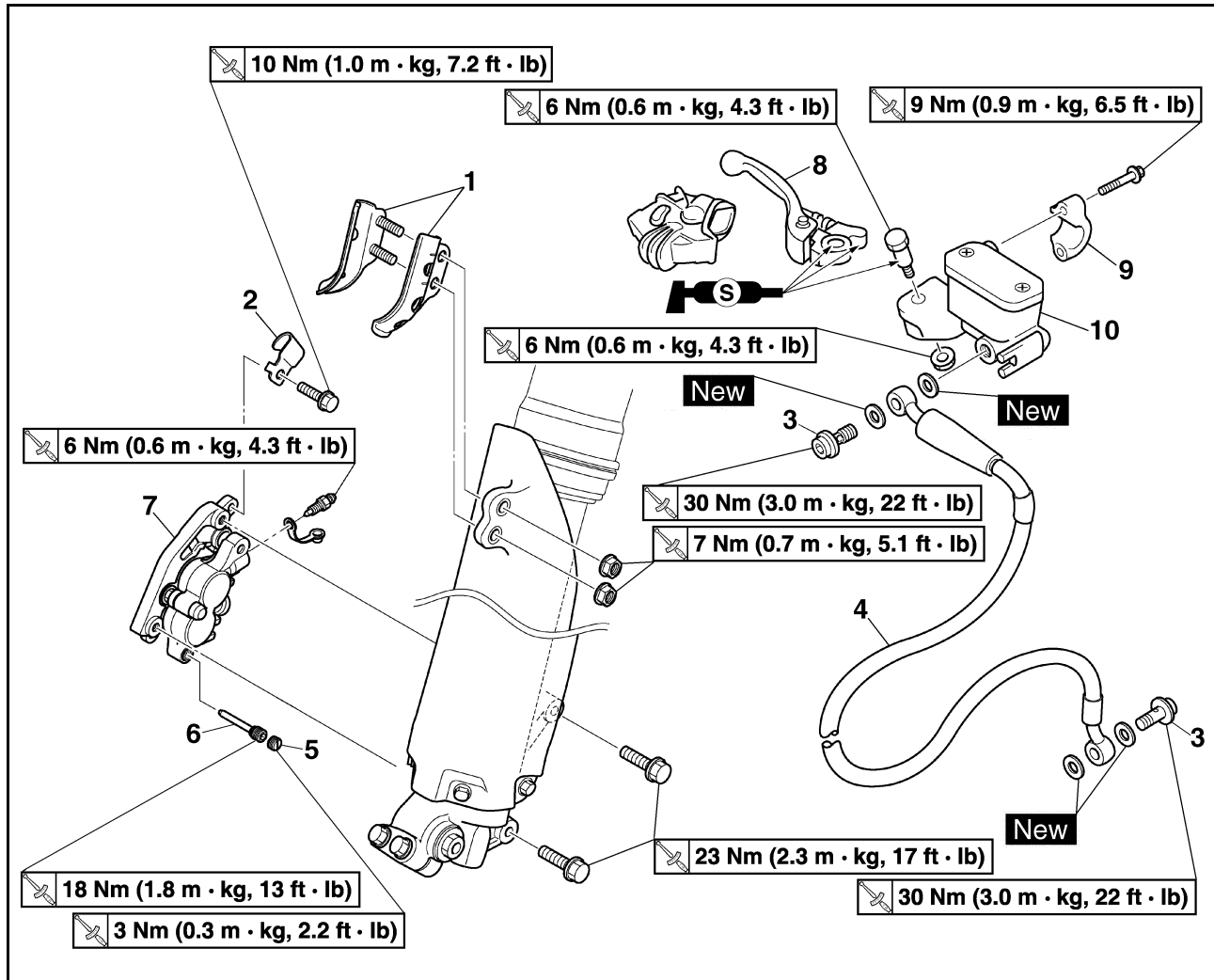
	Locknut: 19 Nm (1.9 m•kg, 13 ft•lb)
--	---



FRONT BRAKE AND REAR BRAKE

FRONT BRAKE AND REAR BRAKE

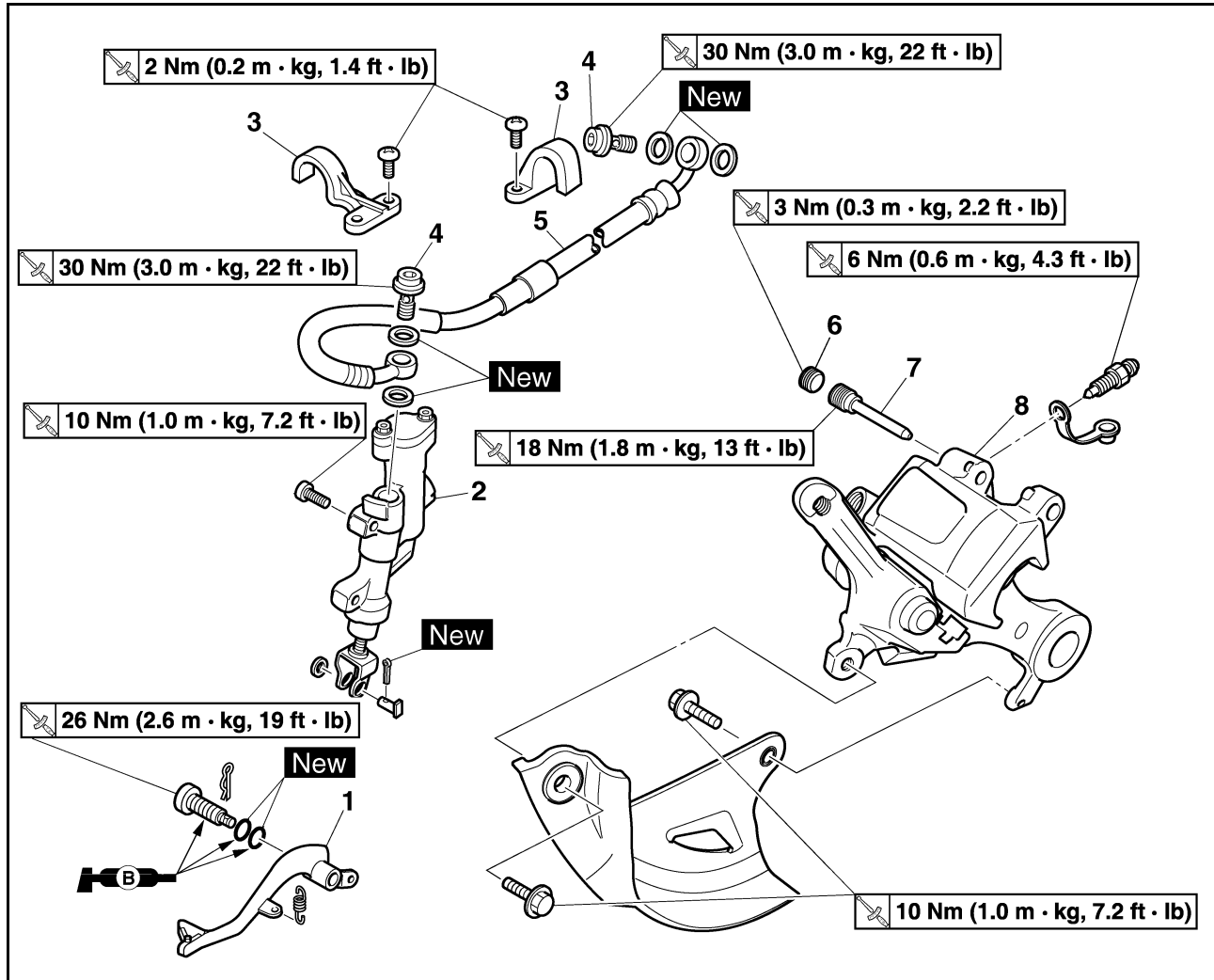
REMOVING THE FRONT BRAKE



Order	Part name	Q'ty	Remarks
	Hold the machine by placing the suitable stand under the engine.		Refer to "HANDLING NOTE".
	Drain the brake fluid.		Refer to removal section.
1	Brake hose holder (protector)	2	
2	Brake hose holder (brake caliper)	1	
3	Union bolt	2	
4	Brake hose	1	
5	Pad pin plug	1	Remove when loosening the pad pin.
6	Pad pin	1	Loosen when disassembling the brake caliper.
7	Brake caliper	1	
8	Brake lever	1	
9	Brake master cylinder bracket	1	
10	Brake master cylinder	1	

FRONT BRAKE AND REAR BRAKE

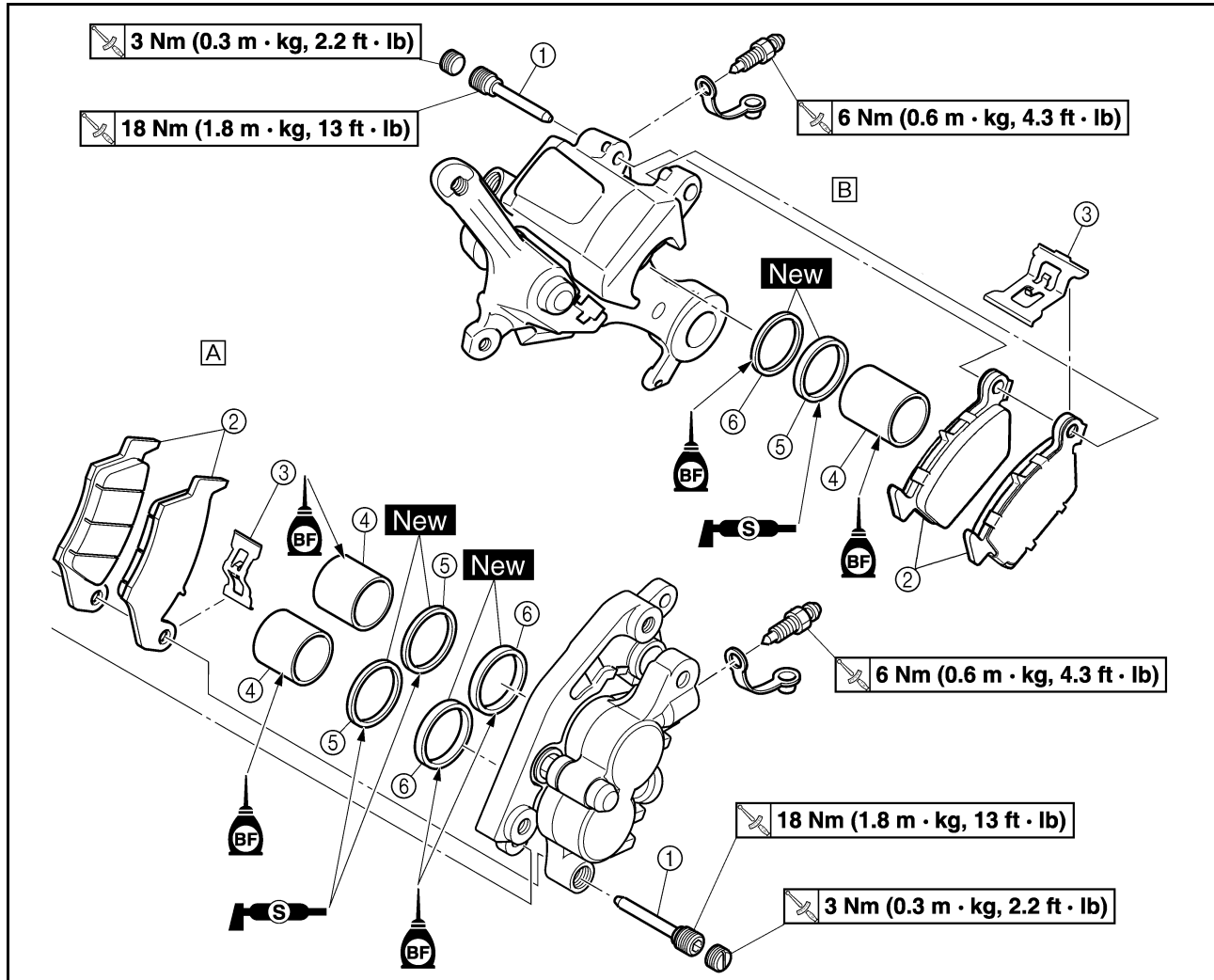
REMOVING THE REAR BRAKE



Order	Part name	Q'ty	Remarks
	Hold the machine by placing the suitable stand under the engine.		Refer to "HANDLING NOTE".
	Rear wheel		Refer to "FRONT WHEEL AND REAR WHEEL" section.
	Drain the brake fluid.		Refer to removal section.
1	Brake pedal	1	
2	Brake master cylinder	1	
3	Brake hose holder	2	
4	Union bolt	2	
5	Brake hose	1	
6	Pad pin plug	1	Remove when loosening the pad pin.
7	Pad pin	1	Loosen when disassembling the brake caliper.
8	Brake caliper	1	

FRONT BRAKE AND REAR BRAKE

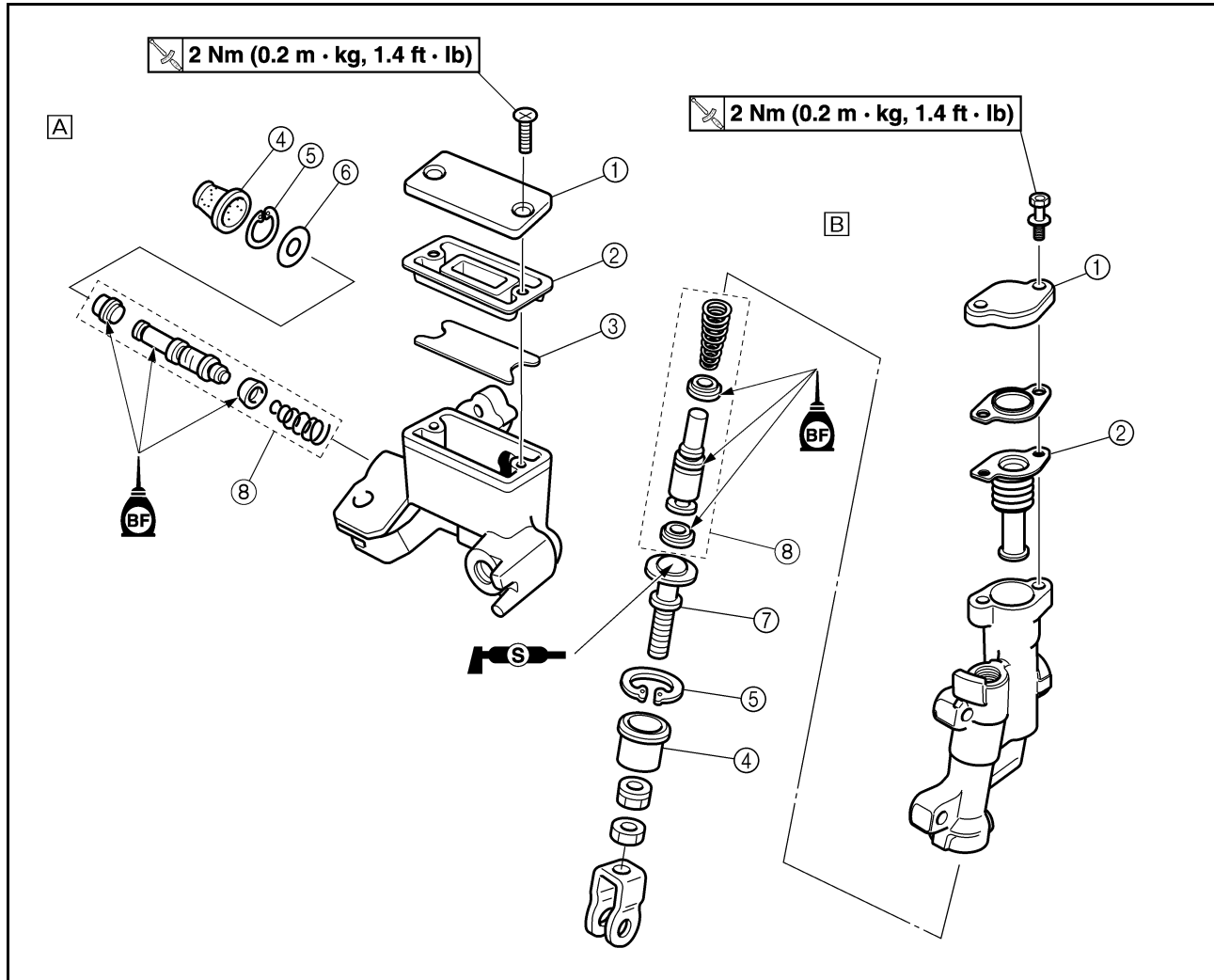
DISASSEMBLING THE BRAKE CALIPER



Order	Part name	Q'ty		Remarks
		A	B	
				A. Front B. Rear
		A	B	
1	Pad pin	1	1	
2	Brake pad	2	2	
3	Pad support	1	1	
4	Brake caliper piston	2	1	Refer to removal section.
5	Brake caliper piston dust seal	2	1	Refer to removal section.
6	Brake caliper piston seal	2	1	Refer to removal section.

FRONT BRAKE AND REAR BRAKE

DISASSEMBLING THE BRAKE MASTER CYLINDER



Order	Part name	Q'ty	Remarks
			A. Front B. Rear
1	Brake master cylinder cap	1	
2	Diaphragm	1	
3	Reservoir float	1	
4	Brake master cylinder boot	1	
5	Circlip	1	Use a long nose circlip pliers.
6	Washer	1	
7	Push rod	1	
8	Brake master cylinder kit	1	

FRONT BRAKE AND REAR BRAKE

HANDLING NOTE

⚠ WARNING

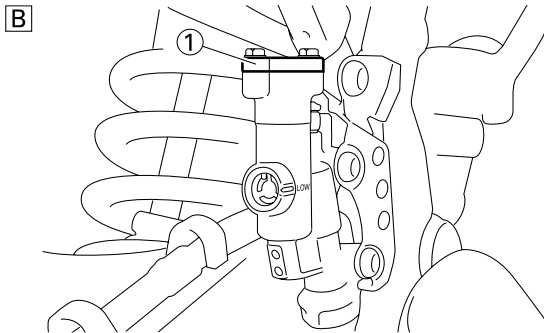
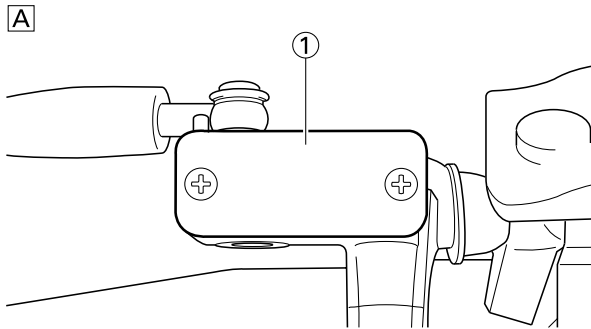
Support the machine securely so there is no danger of it falling over.

DRAINING THE BRAKE FLUID

1. Remove:
 - Brake master cylinder cap "1"
 - Protector (rear brake)

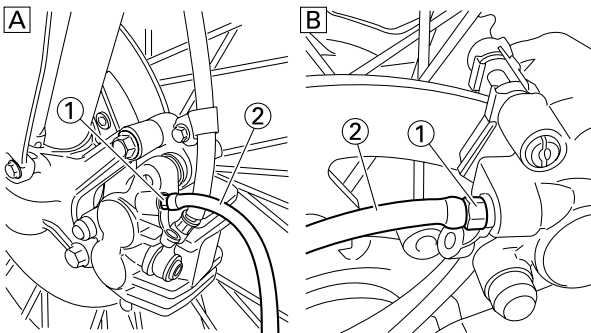
TIP

Do not remove the diaphragm.



A. Front
B. Rear

2. Connect the transparent hose "2" to the bleed screw "1" and place a suitable container under its end.



A. Front
B. Rear

3. Loosen the bleed screw and drain the brake fluid while pulling the lever in or pushing down on the pedal.

⚠ WARNING

- Do not reuse the drained brake fluid.
- Brake fluid may erode painted surfaces or plastic parts. Always clean up spilled fluid immediately.

REMOVING THE BRAKE CALIPER PISTON

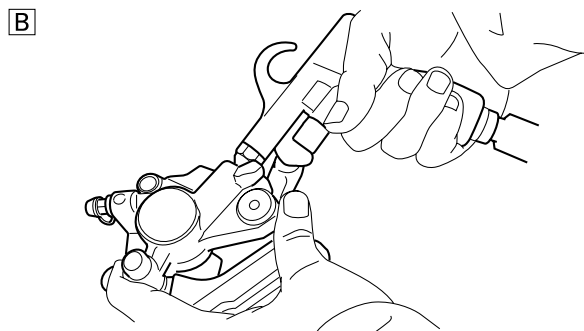
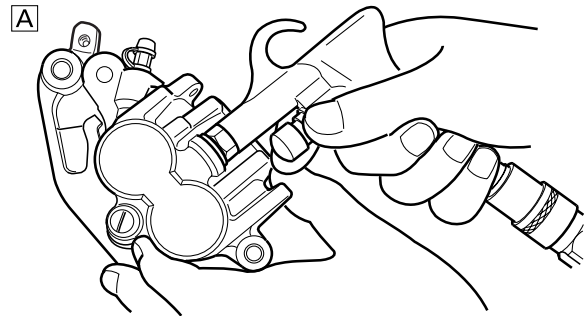
1. Remove:
 - Brake caliper pistonUse compressed air and proceed carefully.

⚠ WARNING

- Cover piston with rag and use extreme caution when expelling piston from cylinder.
- Never attempt to pry out piston.

Caliper piston removal steps:

- a. Insert a piece of rag into the brake caliper to lock one brake caliper.
- b. Carefully force the piston out of the brake caliper cylinder with compressed air.



A. Front
B. Rear

REMOVING THE BRAKE CALIPER PISTON SEAL KIT

1. Remove:
 - Brake caliper piston dust seal "1"
 - Brake caliper piston seal "2"

FRONT BRAKE AND REAR BRAKE

TIP

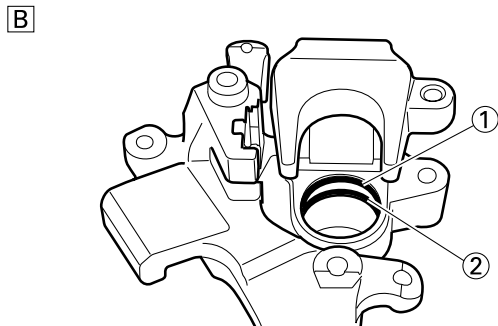
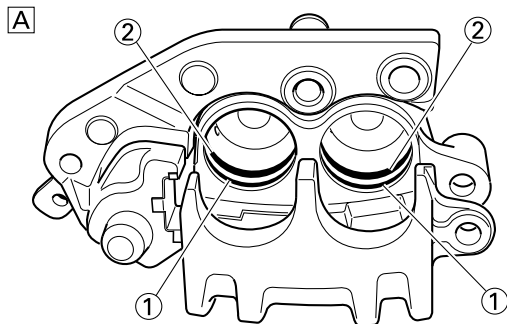
Remove the brake caliper piston seals and brake caliper piston dust seals by pushing them with a finger.

NOTICE

Never attempt to pry out brake caliper piston seals and brake caliper piston dust seals.

WARNING

Replace the brake caliper piston seals and brake caliper piston dust seals whenever a caliper is disassembled.



- A. Front
- B. Rear

CHECKING THE BRAKE MASTER CYLINDER

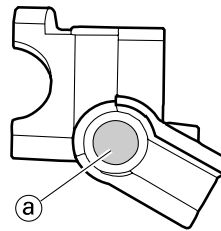
1. Inspect:

- Brake master cylinder inner surface "a"
Wear/scratches → Replace master cylinder assembly.
Stains → Clean.

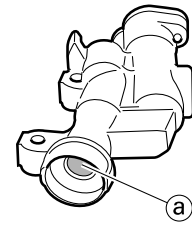
WARNING

Use only new brake fluid.

A

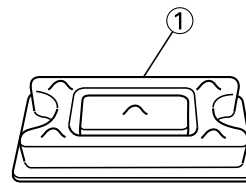


B

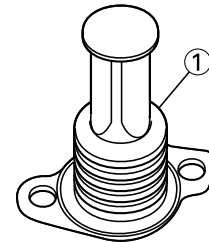


- A. Front
 - B. Rear
2. Inspect:
- Diaphragm "1"
Crack/damage → Replace.

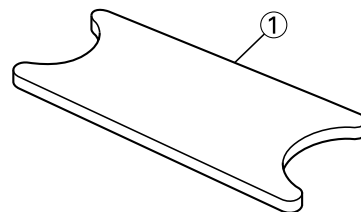
A



B



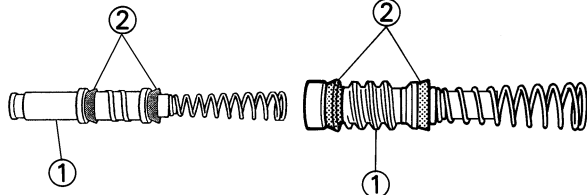
- A. Front
 - B. Rear
3. Inspect: (front brake only)
- Reservoir float "1"
Damage → Replace.



4. Inspect:

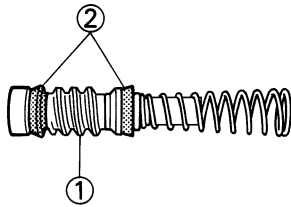
- Brake master cylinder piston "1"
- Brake master cylinder cup "2"
Wear/damage/score marks → Replace brake master cylinder kit.

A



- A. Front
B. Rear

B

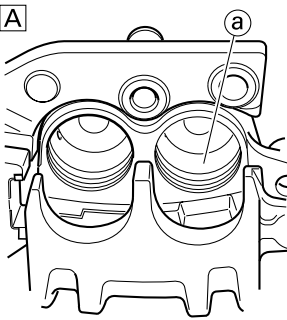


CHECKING THE BRAKE CALIPER

1. Inspect:

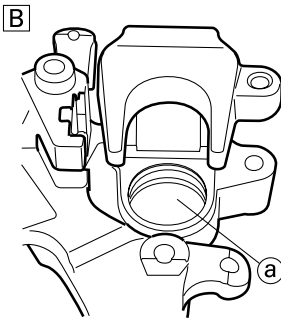
- Brake caliper cylinder inner surface "a"
Wear/score marks → Replace brake caliper assembly.

A



- A. Front
B. Rear

B

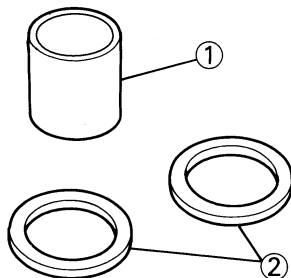


2. Inspect:

- Brake caliper piston "1"
Wear/score marks → Replace brake caliper piston assembly.

⚠ WARNING

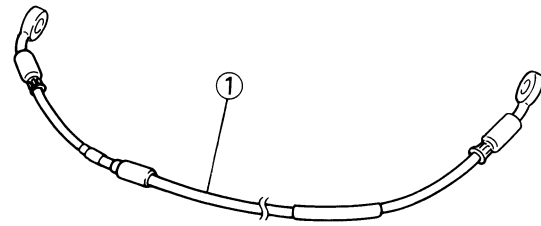
Replace the brake caliper piston seals and brake caliper piston dust seals "2" whenever a caliper is disassembled.



CHECKING THE BRAKE HOSE

1. Inspect:

- Brake hose "1"
Crack/damage → Replace.



HANDLING NOTE

⚠ WARNING

- All internal parts should be cleaned in new brake fluid only.
- Internal parts should be lubricated with brake fluid when installed.
- Replace the brake caliper piston seals and brake caliper piston dust seals whenever a caliper is disassembled.

INSTALLING THE BRAKE CALIPER PISTON

1. Clean:

- Brake caliper
- Brake caliper piston seal
- Brake caliper piston dust seal
- Brake caliper piston
Clean them with brake fluid.

2. Install:

- Brake caliper piston seal "1" **New**
- Brake caliper piston dust seal "2" **New**

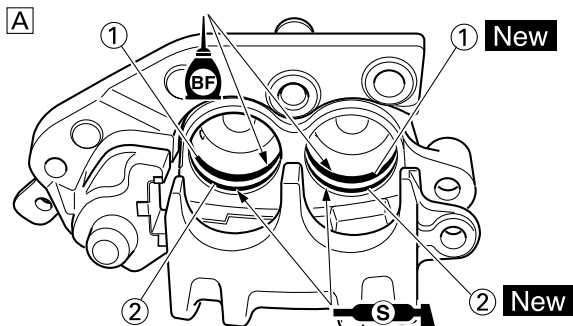
⚠ WARNING

Always use new brake caliper piston seals and brake caliper piston dust seals.

TIP

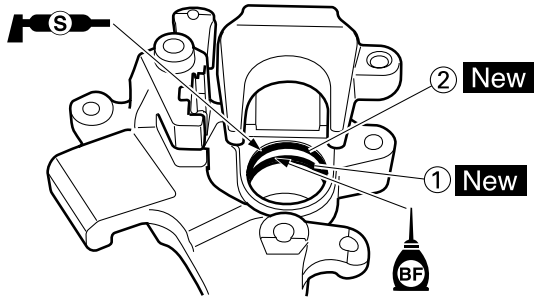
- Apply the brake fluid on the brake caliper piston seal.
- Apply the silicone grease on the brake caliper piston dust seal.
- Fit the brake caliper piston seals and brake caliper piston dust seals onto the slot on brake caliper correctly.

A



FRONT BRAKE AND REAR BRAKE

B



A. Front
B. Rear

3. Install:

- Brake caliper piston "1"

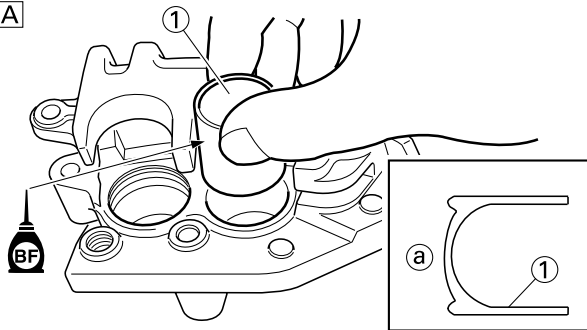
TIP

Apply the brake fluid on the piston wall.

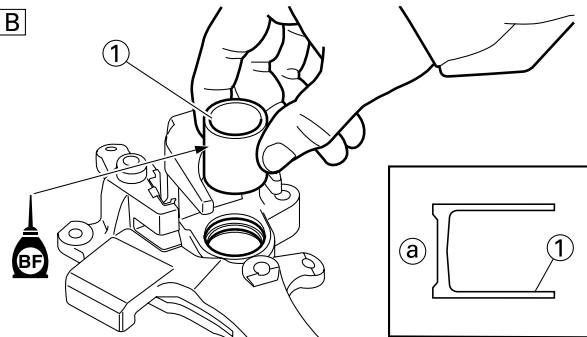
NOTICE

- Install the piston with its shallow depressed side "a" facing the brake caliper.
- Never force to insert.

A



B



A. Front
B. Rear

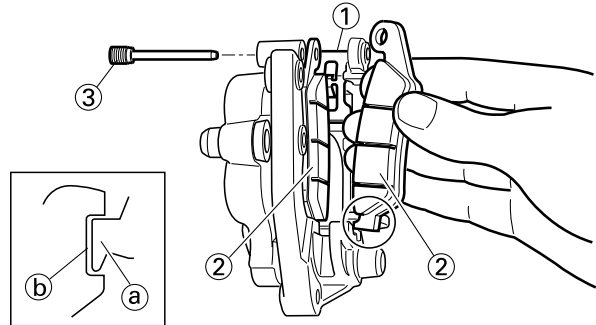
INSTALLING THE FRONT BRAKE CALIPER

1. Install:

- Pad support "1"
- Brake pad "2"
- Pad pin "3"

TIP

- Install the brake pads with their projections "a" into the brake caliper recesses "b".
- Temporarily tighten the pad pin at this point.



2. Install:

- Brake caliper "1"
- Bolt (brake caliper) "2"



Bolt (brake caliper):
23 Nm (2.3 m•kg, 17 ft•lb)

3. Tighten:

- Pad pin "3"



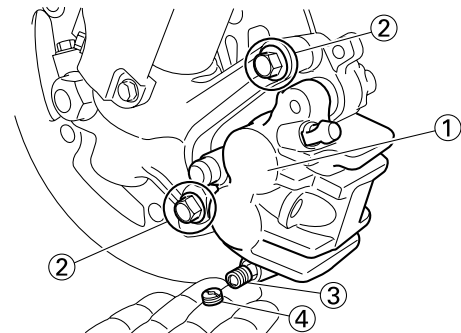
Pad pin:
18 Nm (1.8 m•kg, 13 ft•lb)

4. Install:

- Pad pin plug "4"



Pad pin plug:
3 Nm (0.3 m•kg, 2.2 ft•lb)



INSTALLING THE REAR BRAKE CALIPER

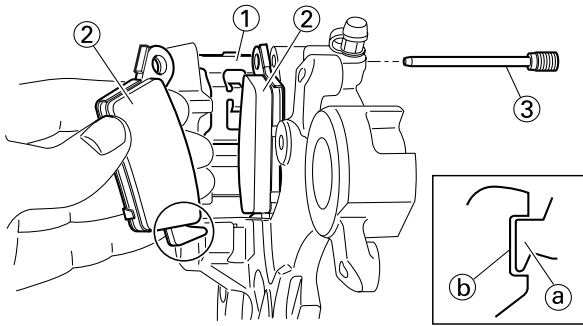
1. Install:

- Pad support "1"
- Brake pad "2"
- Pad pin "3"

TIP

- Install the brake pads with their projections "a" into the brake caliper recesses "b".
- Temporarily tighten the pad pin at this point.

FRONT BRAKE AND REAR BRAKE

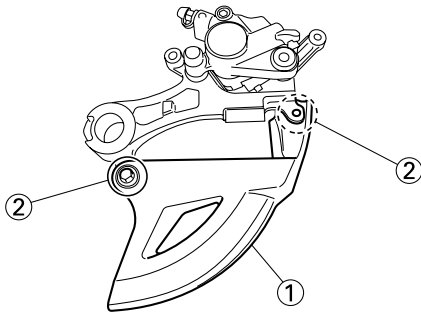


2. Install:

- Brake disc cover "1"
- Bolt (brake disc cover) "2"



Bolt (brake disc cover):
10 Nm (1.0 m•kg, 7.2 ft•lb)



3. Install:

- Brake caliper "1"
 - Rear wheel "2"
- Refer to "FRONT WHEEL AND REAR WHEEL" section.

4. Tighten:

- Pad pin "3"



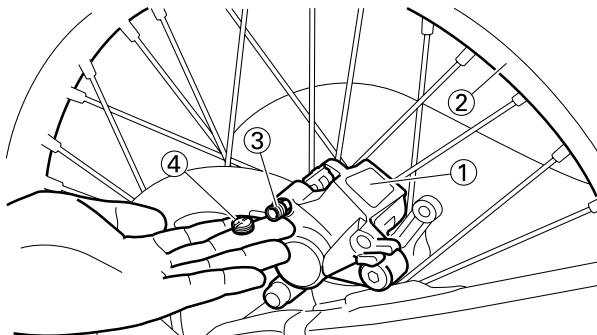
Pad pin:
18 Nm (1.8 m•kg, 13 ft•lb)

5. Install:

- Pad pin plug "4"



Pad pin plug:
3 Nm (0.3 m•kg, 2.2 ft•lb)



INSTALLING THE BRAKE MASTER CYLINDER KIT

1. Clean:

- Brake master cylinder
 - Brake master cylinder kit
- Clean them with brake fluid.

2. Install:

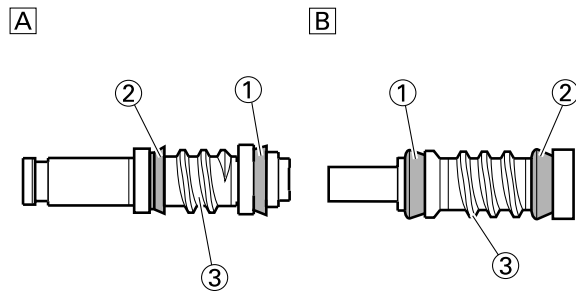
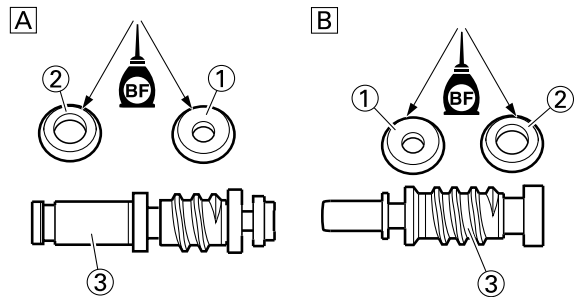
- Brake master cylinder cup (primary) "1"
 - Brake master cylinder cup (secondary) "2"
- To brake master cylinder piston "3".

TIP

Apply the brake fluid on the brake master cylinder cup.

⚠ WARNING

After installing, cylinder cup should be installed as shown direction. Wrong installation cause improper brake performance.



A. Front
B. Rear

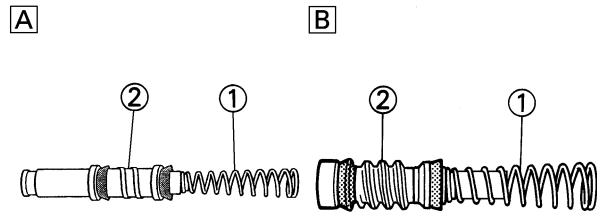
3. Install:

- Spring "1"
- To brake master cylinder piston "2".

TIP

Install the spring at the smaller dia. side.

FRONT BRAKE AND REAR BRAKE



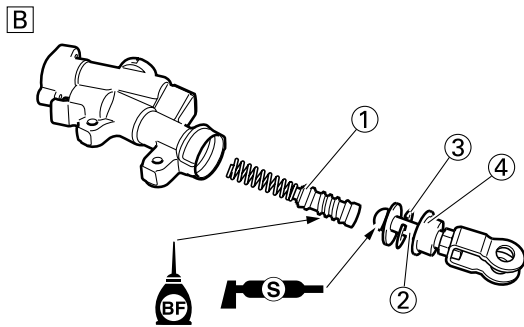
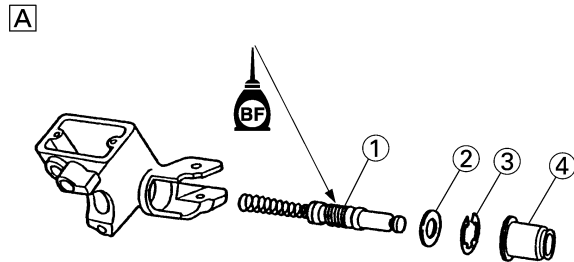
A. Front
B. Rear

4. Install:

- Brake master cylinder kit "1"
- Washer (front brake) "2"
- Push rod (rear brake) "2"
- Circlip "3"
- Brake master cylinder boot "4"
To brake master cylinder.

TIP

- Apply the brake fluid on the brake master cylinder kit.
- Apply the silicone grease on the tip of the push rod.
- When installing the circlip, use a long nose circlip pliers.



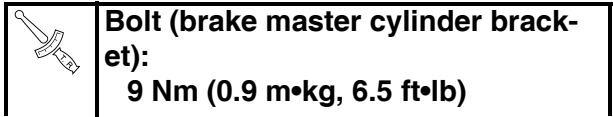
A. Front
B. Rear

INSTALLING THE FRONT BRAKE MASTER CYLINDER

1. Install:

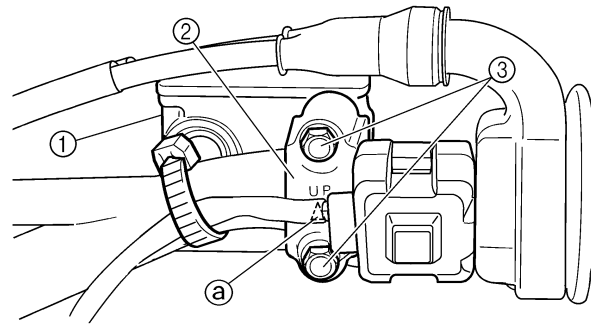
- Brake master cylinder "1"

- Brake master cylinder bracket "2"
- Bolt (brake master cylinder bracket) "3"



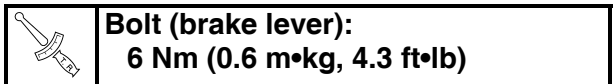
TIP

- Install the bracket so that the arrow mark "a" face upward.
- First tighten the bolts on the upper side of the brake master cylinder bracket, and then tighten the bolts on the lower side.

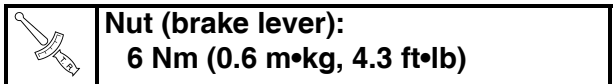


2. Install:

- Brake lever "1"
- Bolt (brake lever) "2"

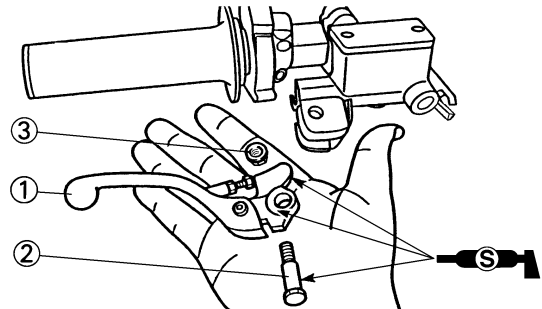


- Nut (brake lever) "3"



TIP

Apply the silicone grease on the brake lever sliding surface, bolt and contacting surface of the brake master cylinder piston.



INSTALLING THE REAR BRAKE MASTER CYLINDER

1. Install:

- Copper washer "1" **New**
- Brake hose "2"

FRONT BRAKE AND REAR BRAKE

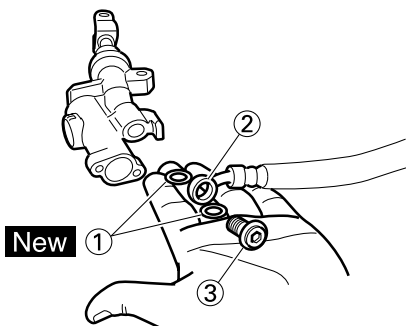
- Union bolt "3"



Union bolt:
30 Nm (3.0 m•kg, 22 ft•lb)

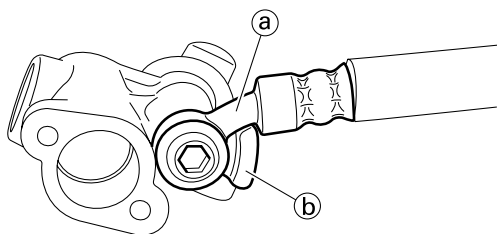
WARNING

Always use new copper washers.



NOTICE

Install the brake hose so that its pipe portion "a" directs as shown and lightly touches the projection "b" on the brake master cylinder.

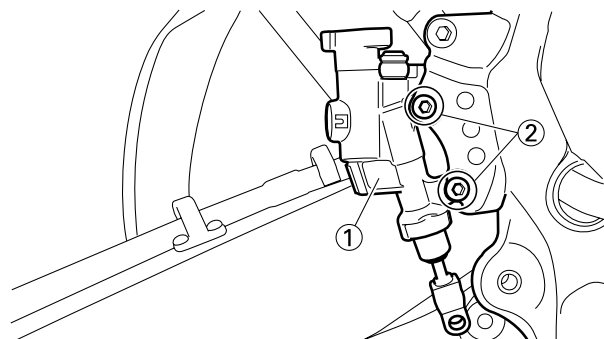


2. Install:

- Brake master cylinder "1"
- Bolt (brake master cylinder) "2"



Bolt (brake master cylinder):
10 Nm (1.0 m•kg, 7.2 ft•lb)



3. Install:

- Spring "1"
- Brake pedal "2"
- O-ring "3" **New**
- Bolt (brake pedal) "4"

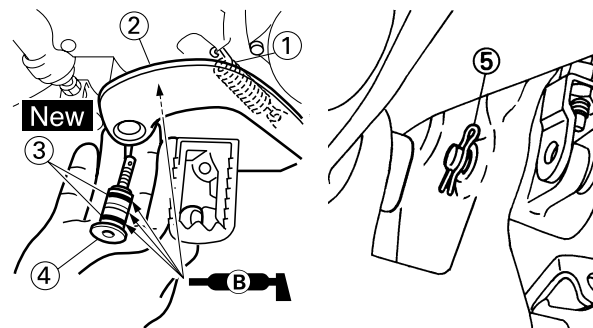


Bolt (brake pedal):
26 Nm (2.6 m•kg, 19 ft•lb)

- Clip "5"

TIP

Apply the lithium soap base grease on the bolt, O-ring and brake pedal bracket.

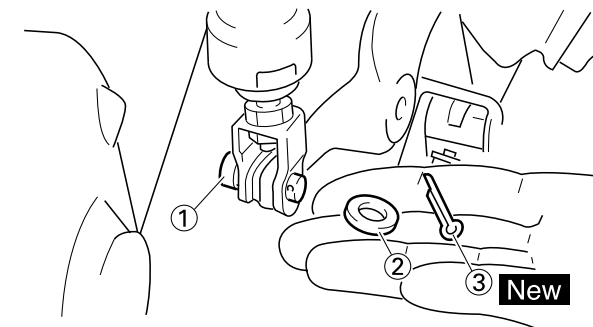


4. Install:

- Pin "1"
- Washer "2"
- Cotter pin "3" **New**

TIP

After installing, check the brake pedal height. Refer to "ADJUSTING THE REAR BRAKE" section in the CHAPTER 3.



INSTALLING THE FRONT BRAKE HOSE

1. Install:

- Copper washer "1" **New**
- Brake hose "2"
- Union bolt "3"

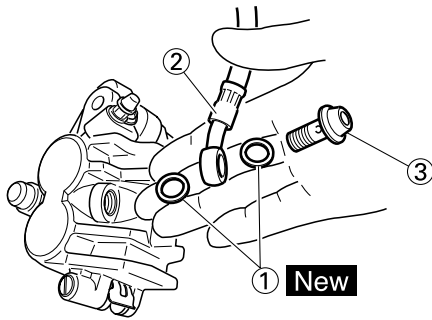


Union bolt:
30 Nm (3.0 m•kg, 22 ft•lb)

WARNING

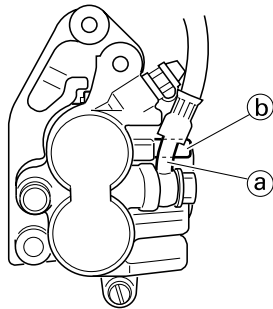
Always use new copper washers.

FRONT BRAKE AND REAR BRAKE



NOTICE

Install the brake hose so that its pipe portion "a" directs as shown and lightly touches the projection "b" on the brake caliper.

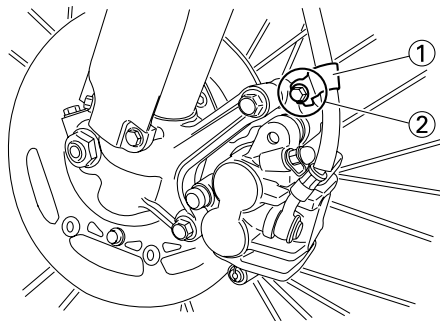


2. Install:

- Brake hose holder "1"
- Bolt (brake hose holder) "2"



Bolt (brake hose holder):
10 Nm (1.0 m•kg, 7.2 ft•lb)



3. Install:

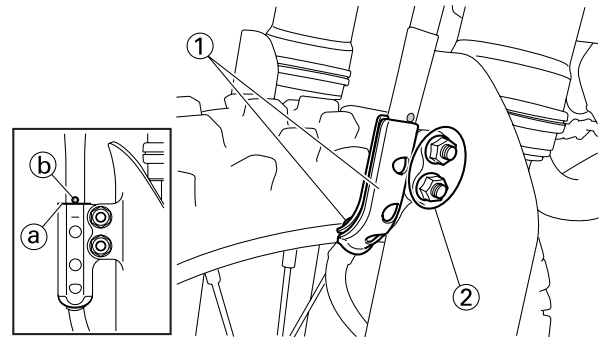
- Brake hose holder "1"
- Nut (brake hose holder) "2"



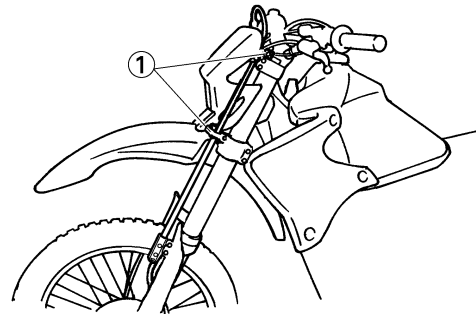
Nut (brake hose holder):
7 Nm (0.7 m•kg, 5.1 ft•lb)

TIP

Align the top "a" of the brake hose holder with the paint "b" of the brake hose.



4. Pass the brake hose through the front brake hose guides "1".



5. Install:

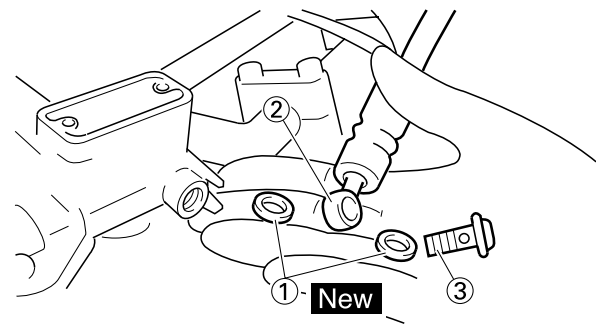
- Copper washer "1" **New**
- Brake hose "2"
- Union bolt "3"



Union bolt:
30 Nm (3.0 m•kg, 22 ft•lb)

WARNING

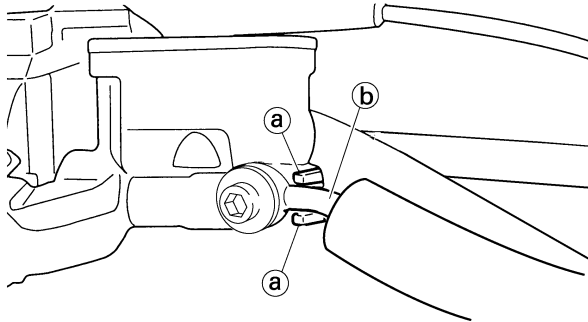
Always use new copper washers.



NOTICE

Install the brake hose so that it contacts the brake master cylinder projection "a" and that its bent portion "b" faces downward.

FRONT BRAKE AND REAR BRAKE



INSTALLING THE REAR BRAKE HOSE

1. Install:

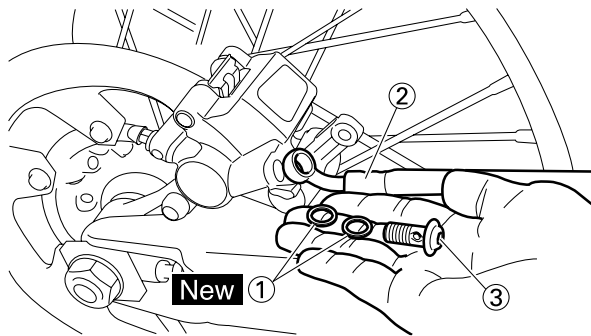
- Copper washer "1" **New**
- Brake hose "2"
- Union bolt "3"



Union bolt:
30 Nm (3.0 m•kg, 22 ft•lb)

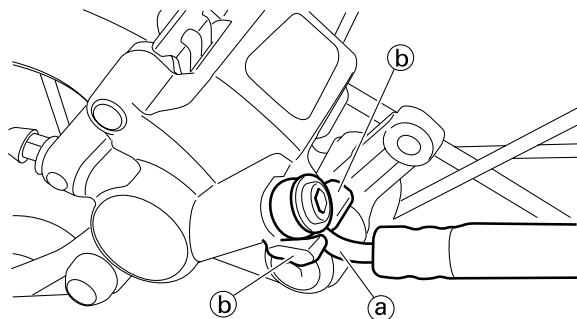
⚠ WARNING

Always use new copper washers.



NOTICE

Install the brake hose so that its pipe portion "a" directs as shown and lightly touches the projection "b" on the brake caliper.



2. Install:

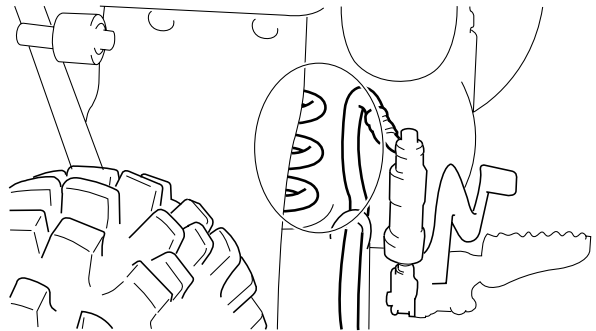
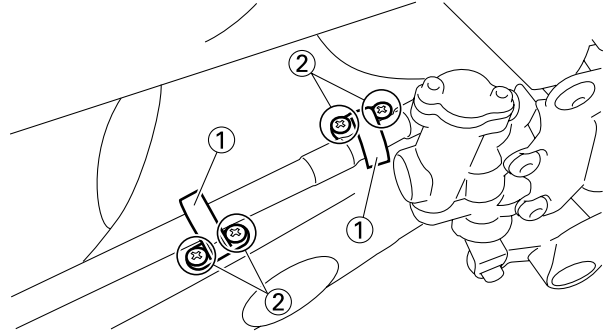
- Brake hose holder "1"
- Screw (brake hose holder) "2"



Screw (brake hose holder):
2 Nm (0.2 m•kg, 1.4 ft•lb)

NOTICE

After installing the brake hose holders, make sure the brake hose does not contact the spring (rear shock absorber). If it does, correct its twist.



FILLING THE BRAKE FLUID

1. Fill:

- Brake fluid
Until the fluid level reaches "LOWER" level line "a".



Recommended brake fluid:
DOT #4

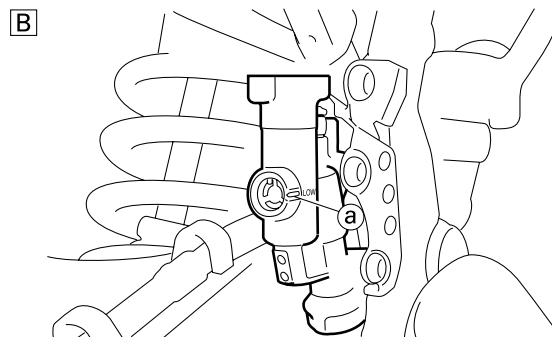
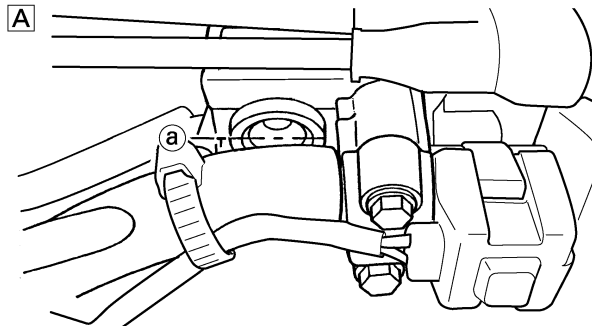
⚠ WARNING

- Use only the designated quality brake fluid:
otherwise, the rubber seals may deteriorate, causing leakage and poor brake performance.
- Refill with the same type of brake fluid; mixing fluids may result in a harmful chemical reaction and lead to poor performance.
- Be careful that water does not enter the master cylinder when refilling. Water will significantly lower the boiling point of the fluid and may result in vapor lock.

FRONT BRAKE AND REAR BRAKE

NOTICE

Brake fluid may erode painted surfaces or plastic parts. Always clean up spilled fluid immediately.



- A. Front
- B. Rear

2. Air bleed:

- Brake system
Refer to "BLEEDING THE HYDRAULIC BRAKE SYSTEM" section in the CHAPTER 3.

3. Inspect:

- Brake fluid level
Fluid at lower level → Fill up.
Refer to "CHECKING THE BRAKE FLUID LEVEL" section in the CHAPTER 3.

4. Install:

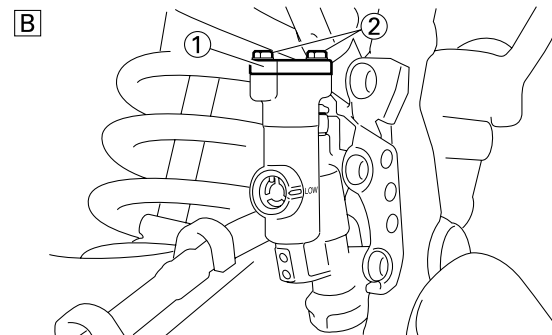
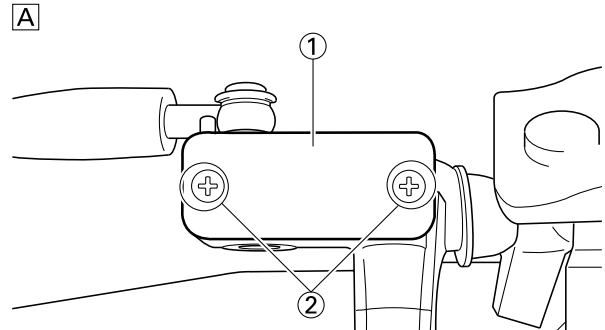
- Reservoir float (front brake)
- Diaphragm
- Brake master cylinder cap "1"
- Screw (bolt) {brake master cylinder cap} "2"



**Screw (bolt) {brake master cylinder cap}:
2 Nm (0.2 m•kg, 1.4 ft•lb)**

WARNING

After installation, while pulling the brake lever in or pushing down on the brake pedal, check whether there is any brake fluid leaking where the union bolts are installed respectively at the brake master cylinder and brake caliper.



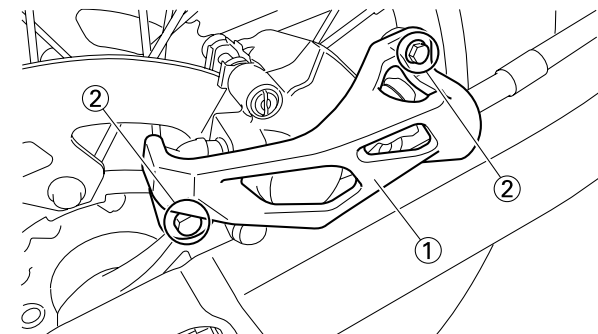
- A. Front
- B. Rear

5. Install: (rear brake only)

- Protector "1"
- Bolt (protector) "2"

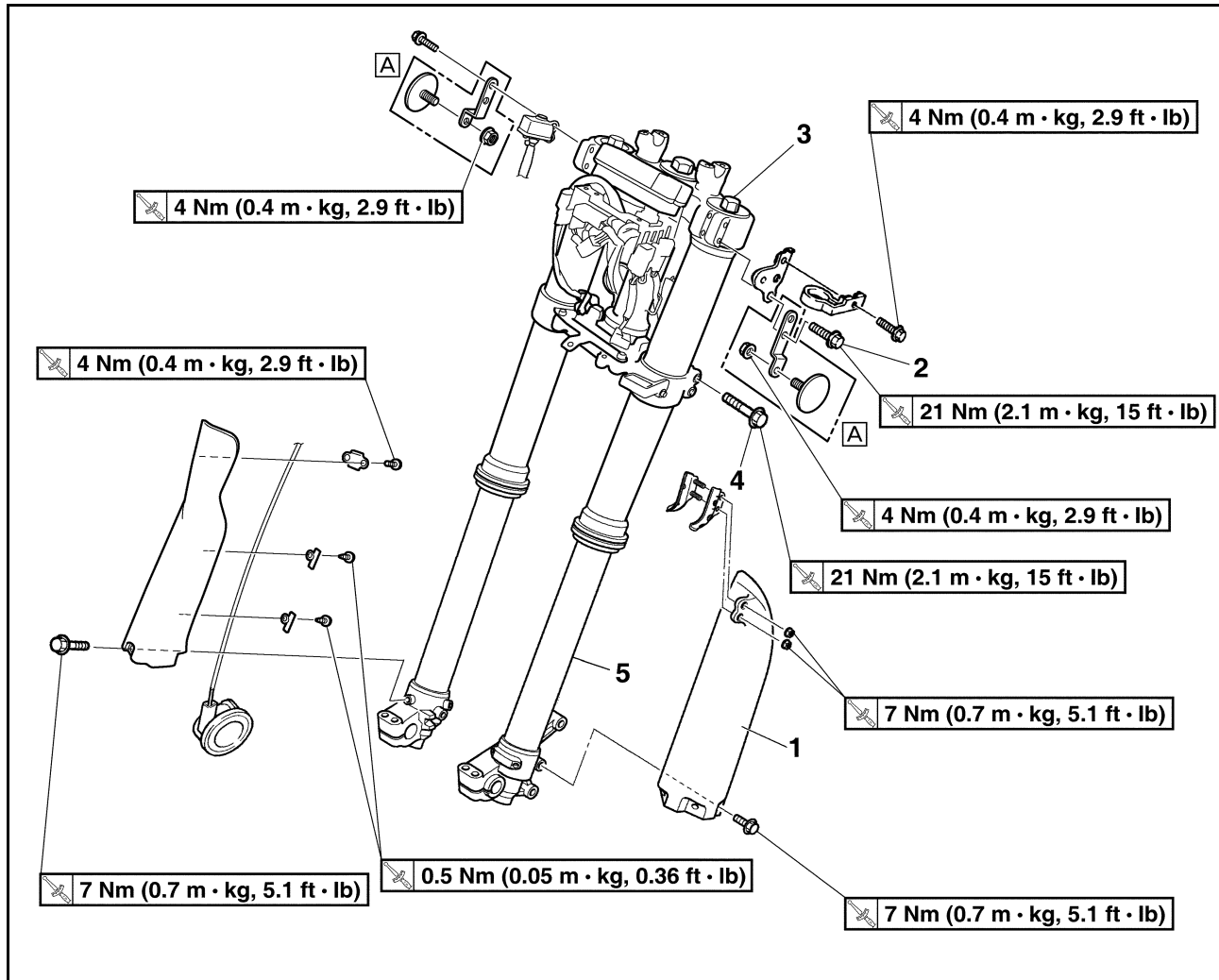


**Bolt (protector):
7 Nm (0.7 m•kg, 5.1 ft•lb)**



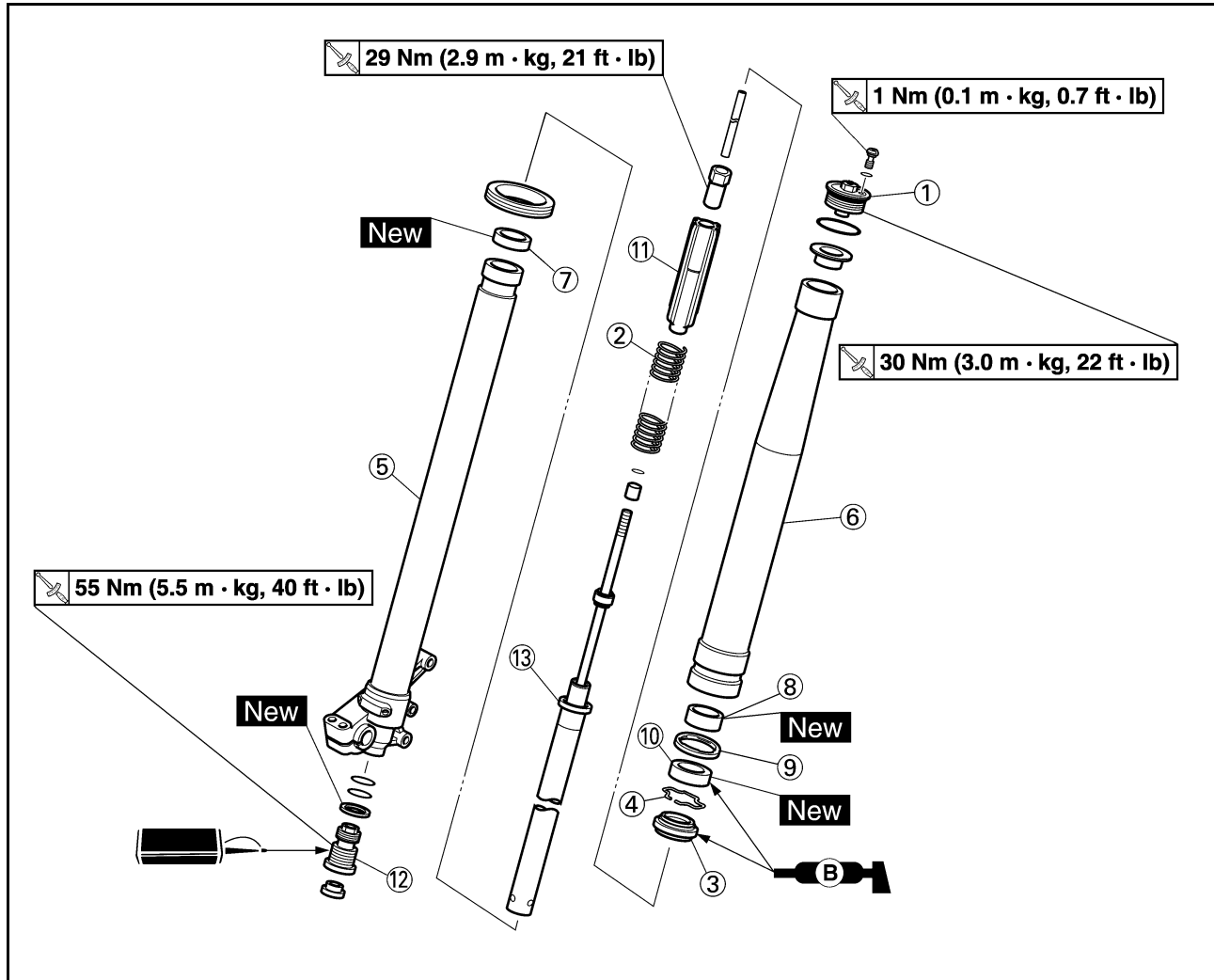
FRONT FORK

REMOVING THE FRONT FORK



Order	Part name	Q'ty	Remarks
			A. For CDN
	Hold the machine by placing the suitable stand under the engine.		Refer to "HANDLING NOTE".
	Front wheel		Refer to "FRONT WHEEL AND REAR WHEEL" section.
	Front brake caliper		Refer to "FRONT BRAKE AND REAR BRAKE" section.
	Headlight		
	Handlebar		Refer to "HANDLEBAR" section.
1	Protector	1	
2	Pinch bolt (upper bracket)	2	Only loosening.
3	Cap bolt	1	Loosen when disassembling the front fork.
4	Pinch bolt (lower bracket)	2	Only loosening.
5	Front fork	1	

DISASSEMBLING THE FRONT FORK



Order	Part name	Q'ty	Remarks
1	Front fork cap bolt	1	Refer to removal section.
2	Fork spring	1	Drain the fork oil.
3	Dust seal	1	Refer to removal section.
4	Stopper ring	1	Refer to removal section.
5	Inner tube	1	Refer to removal section.
6	Outer tube	1	
7	Piston metal	1	
8	Slide metal	1	
9	Oil seal washer	1	
10	Oil seal	1	
11	Spring guide	1	
12	Base valve	1	Refer to removal section.
13	Damper rod	1	Refer to removal section.

HANDLING NOTE

⚠ WARNING

Support the machine securely so there is no danger of it falling over.

TIP

The front fork requires careful attention. So it is recommended that the front fork be maintained at the dealers.

NOTICE

To prevent an accidental explosion of air, the following instructions should be observed:

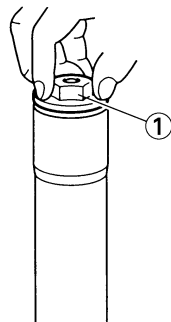
- The front fork with a built-in piston rod has a very sophisticated internal construction and is particularly sensitive to foreign material. Use enough care not to allow any foreign material to come in when the oil is replaced or when the front fork is disassembled and reassembled.
- Before removing the cap bolts or front forks, be sure to extract the air from the air chamber completely.

REMOVING THE FRONT FORK CAP BOLT

1. Remove:
 - Front fork cap bolt "1"
From the outer tube.

TIP

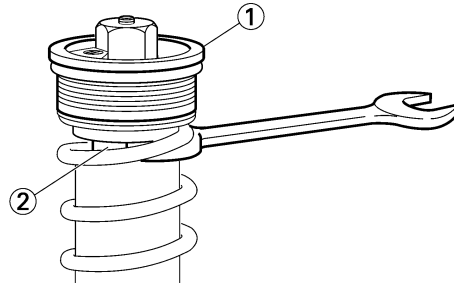
Before removing the front fork from the machine, loosen the front fork cap bolt.



2. Remove:
 - Front fork cap bolt "1"

TIP

Hold the locknut "2" and remove the front fork cap bolt.

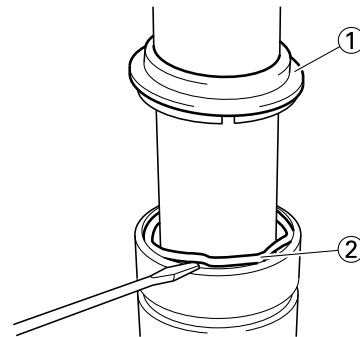


REMOVING THE INNER TUBE

1. Remove:
 - Dust seal "1"
 - Stopper ring "2"
Using slotted-head screwdriver.

NOTICE

Take care not to scratch the inner tube.

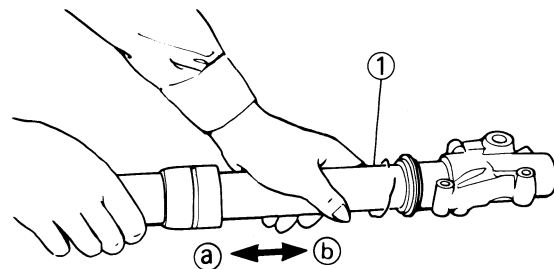


2. Remove:
 - Inner tube "1"



Oil seal removal steps:

- a. Push in slowly "a" the inner tube just before it bottoms out and then pull it back quickly "b".
- b. Repeat this step until the inner tube can be pulled out from the outer tube.



REMOVING THE DAMPER ROD

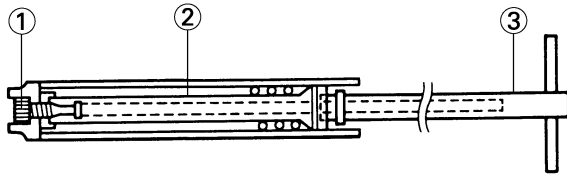
- Remove:
 - Base valve "1"
 - Damper rod "2"

TIP

Use a damper rod holder "3" to lock the damper rod.



Damper rod holder:
YM-01494/90890-01494



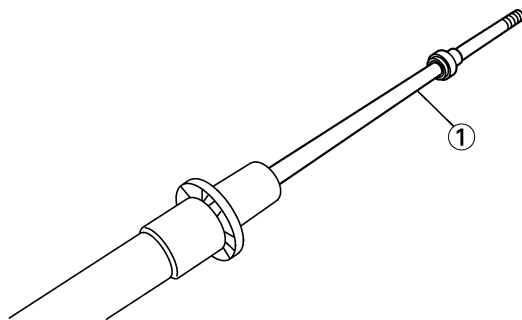
CHECKING THE DAMPER ROD

- Inspect:
 - Damper rod "1"
 Bend/damage → Replace damper rod.

NOTICE

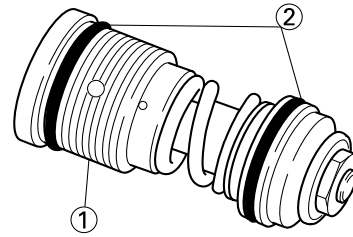
The front fork with a built-in piston rod has a very sophisticated internal construction and is particularly sensitive to foreign material.

Use enough care not to allow any foreign material to come in when the oil is replaced or when the front fork is disassembled and reassembled.



CHECKING THE BASE VALVE

- Inspect:
 - Valve assembly "1"
 Wear/damage → Replace.
 - O-ring "2"
 Damage → Replace.

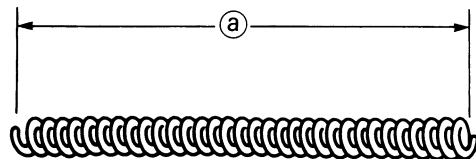


CHECKING THE FORK SPRING

- Measure:
 - Fork spring free length "a"
 Out of specification → Replace.



Fork spring free length:
460 mm (18.1 in)
<Limit>: 455 mm (17.9 in)



CHECKING THE INNER TUBE

- Inspect:
 - Inner tube surface "a"
 Score marks → Repair or replace.
Use #1,000 grit wet sandpaper.
Damaged oil lock piece → Replace.
 - Inner tube bends
 Out of specification → Replace.
Use the dial gauge "1".



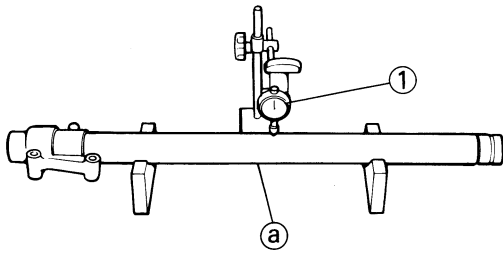
Inner tube bending limit:
0.2 mm (0.008 in)

TIP

The bending value is shown by one half of the dial gauge reading.

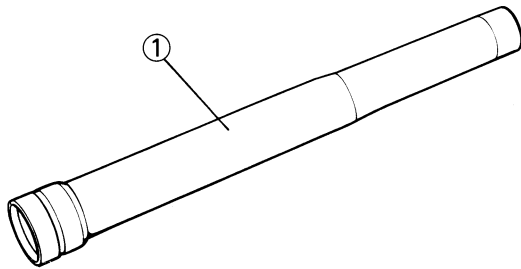
⚠ WARNING

Do not attempt to straighten a bent inner tube as this may dangerously weaken the tube.



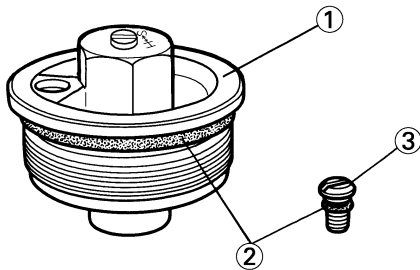
CHECKING THE OUTER TUBE

- Inspect:
 - Outer tube "1"
 Score marks/wear/damage → Replace.



CHECKING THE FRONT FORK CAP BOLT

- Inspect:
 - Front fork cap bolt "1"
 - O-ring "2"
 - Air bleed screw "3"
 Wear/damage → Replace.

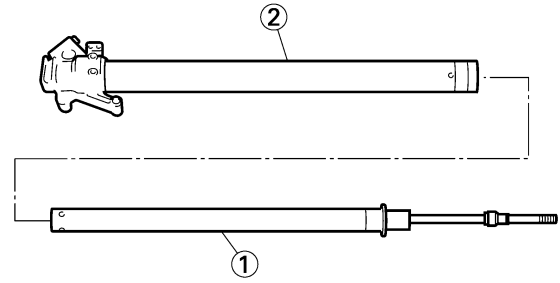


ASSEMBLING THE FRONT FORK

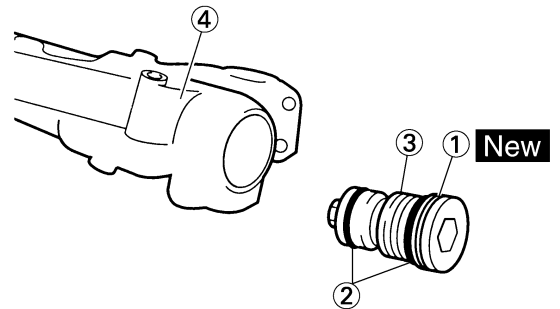
- Wash the all parts in a clean solvent.
- Install:
 - Damper rod "1"
 To inner tube "2".

NOTICE

To install the damper rod into the inner tube, hold the inner tube aslant. If the inner tube is held vertically, the damper rod may fall into it, damaging the valve inside.



- Install:
 - Copper washer "1" **New**
 - O-ring "2"
 - Base valve "3"
 To inner tube "4".



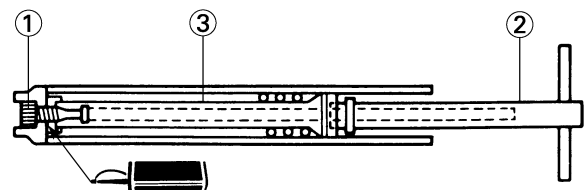
- Tighten:
 - Base valve "1"

	Base valve: 55 Nm (5.5 m•kg, 40 ft•lb)
--	--

TIP

- Use a damper rod holder "2" to lock the damper rod "3".
- Apply the LOCTITE® on the base valve thread.

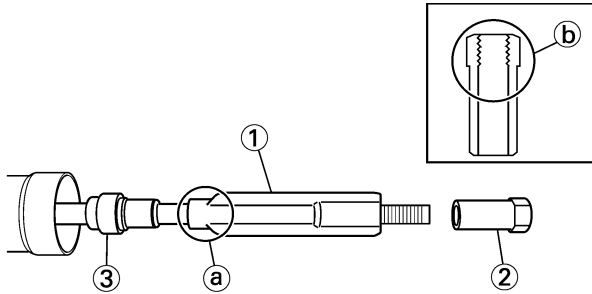
	Damper rod holder: YM-01494/90890-01494
--	---



- Install:
 - Spring guide "1"
 - Locknut "2"
 To damper rod "3".

TIP

- Install the spring guide with its smaller dia. end "a" facing downward.
- With its thread "b" facing upward, fully finger tighten the locknut onto the damper rod.

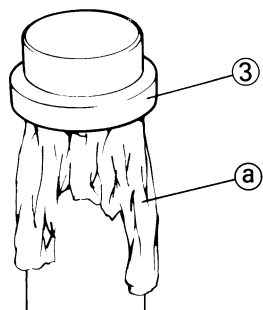
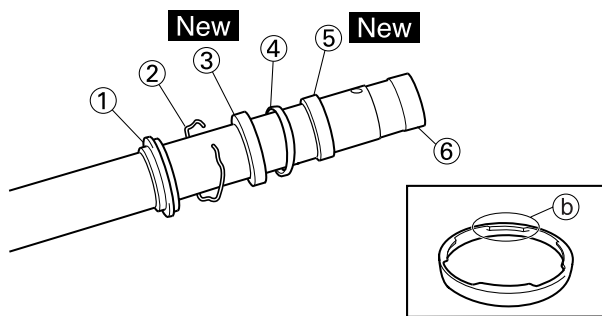


6. Install:

- Dust seal "1"
- Stopper ring "2"
- Oil seal "3" **New**
- Oil seal washer "4"
- Slide metal "5" **New**
- To inner tube "6".

TIP

- Apply the fork oil on the inner tube.
- When installing the oil seal, use vinyl seat "a" with fork oil applied to protect the oil seal lip.
- Install the oil seal with its manufacture's marks or number facing the axle holder side.
- Install the oil seal washer with its projections "b" facing upward.

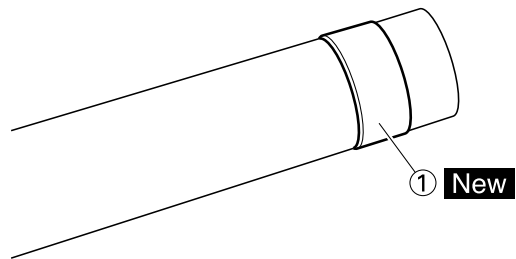


7. Install:

- Piston metal "1" **New**

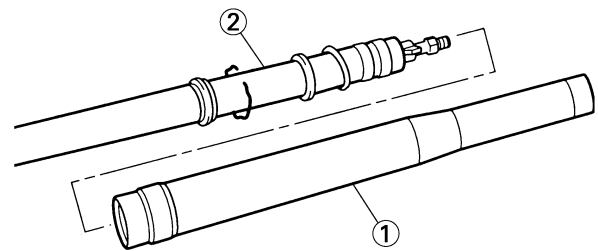
TIP

Install the piston metal onto the slot on inner tube.



8. Install:

- Outer tube "1"
- To inner tube "2".

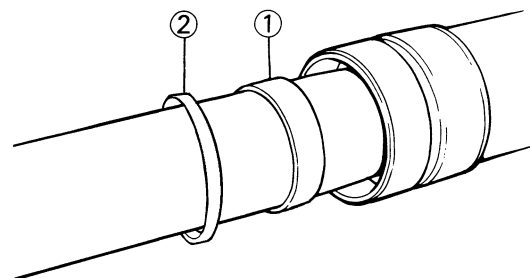
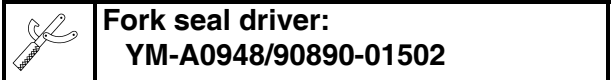


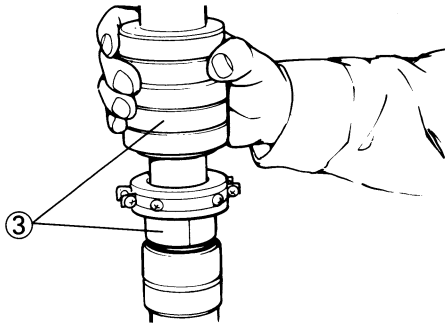
9. Install:

- Slide metal "1"
- Oil seal washer "2"
- To outer tube slot.

TIP

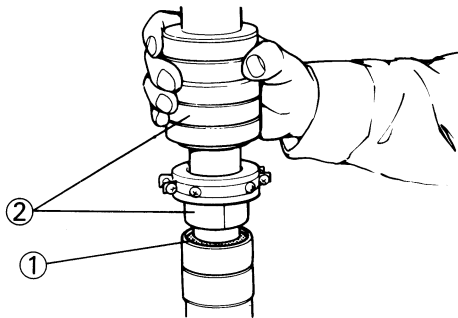
Press the slide metal into the outer tube with fork seal driver "3".





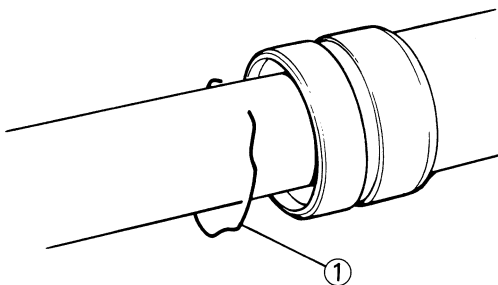
10. Install:
- Oil seal "1"

TIP _____
Press the oil seal into the outer tube with fork seal driver "2".



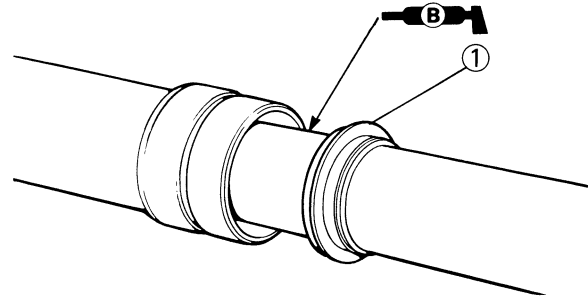
11. Install:
- Stopper ring "1"

TIP _____
Fit the stopper ring correctly in the groove in the outer tube.

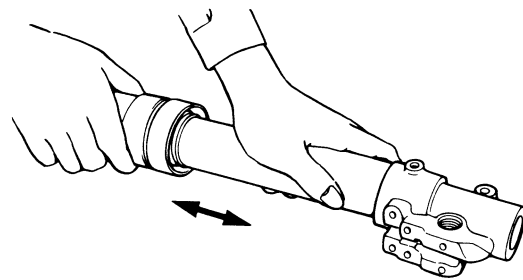


12. Install:
- Dust seal "1"

TIP _____
Apply the lithium soap base grease on the inner tube.



13. Check:
- Inner tube smooth movement
 - Tightness/binding/rough spots → Repeat the steps 2 to 12.



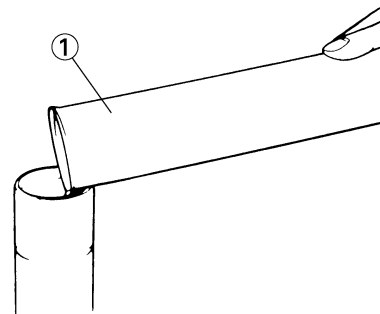
14. Compress the front fork fully.

15. Fill:
- Front fork oil
 - Until outer tube top surface with recommended fork oil "1".

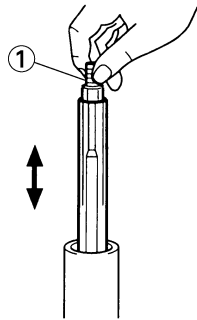


NOTICE _____

- Be sure to use recommended fork oil. If other oils are used, they may have an excessively adverse effect on the front fork performance.
- Never allow foreign materials to enter the front fork.



16. After filling, pump the damper rod "1" slowly up and down more than 10 times to distribute the fork oil.



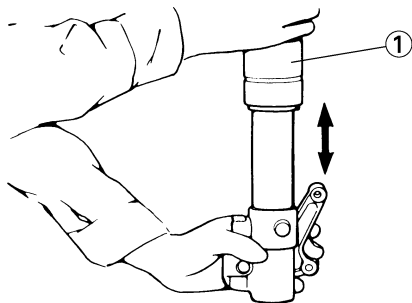
17. Fill:

- Front fork oil
Until outer tube top surface with recommended fork oil once more.

18. After filling, pump the outer tube "1" slowly up and down (about 200 mm (7.9 in) stroke) to distribute the fork oil once more.

TIP

Be careful not to excessive full stroke. A stroke of 200 mm (7.9 in) or more will cause air to enter. In this case, repeat the steps 15 to 18.



19. Wait ten minutes until the air bubbles have been removed from the front fork, and the oil has dispense evenly in system before setting recommended oil level.

TIP

Fill with the fork oil up to the top end of the outer tube, or the fork oil will not spread over to every part of the front forks, thus making it impossible to obtain the correct level.

Be sure to fill with the fork oil up to the top of the outer tube and bleed the front forks.

20. Measure:

- Oil level (left and right) "a"
Out of specification → Adjust.



Standard oil level:

132 mm (5.20 in)

Extent of adjustment:

95–150 mm (3.74–5.91 in)

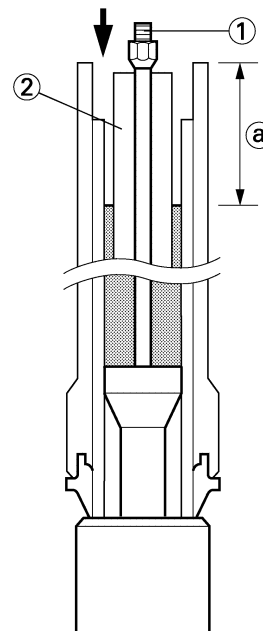
From top of outer tube with inner tube and damper rod "1" fully compressed without spring.

TIP

Be sure to install the spring guide "2" when checking the oil level.

WARNING

Never fail to make the oil level adjustment between the maximum and minimum level and always adjust each front fork to the same setting. Uneven adjustment can cause poor handling and loss of stability.



311404

21. Measure:

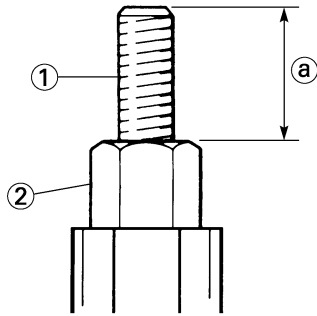
- Distance "a"
Out of specification → Turn into the locknut.



Distance "a":

18 mm (0.71 in) or more

Between damper rod "1" top and locknut "2" top.

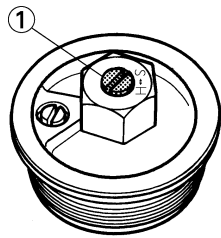


22. Loosen:

- Rebound damping adjuster "1"

TIP

- Loosen the rebound damping adjuster finger tight.
- Record the set position of the adjuster (the amount of turning out the fully turned in position).

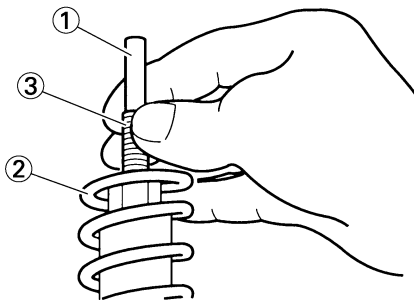


23. Install:

- Push rod "1"
- Fork spring "2"

TIP

- Install the fork spring with the damper rod "3" pulled up.
- After installing the fork spring, hold the damper rod end so that it will not go down.

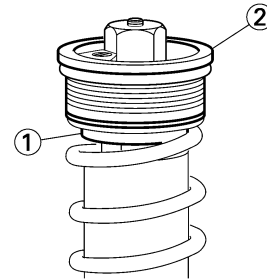


24. Install:

- Spring seat "1"
- Front fork cap bolt "2"

TIP

Fully finger tighten the front fork cap bolt onto the damper rod.



25. Tighten:

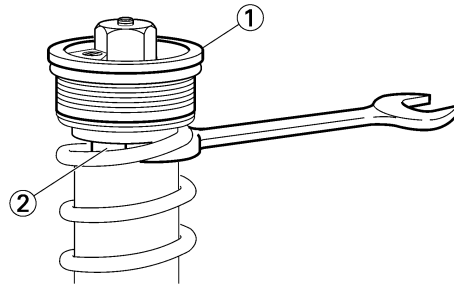
- Front fork cap bolt (locknut) "1"



Front fork cap bolt (locknut):
29 Nm (2.9 m•kg, 21 ft•lb)

TIP

Hold the locknut "2" and tighten the front fork cap bolt with specified torque.

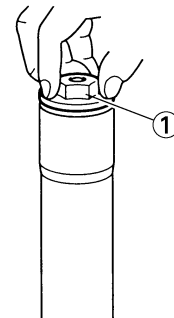


26. Install:

- Front fork cap bolt "1"
- To outer tube.

TIP

Temporarily tighten the cap bolt.

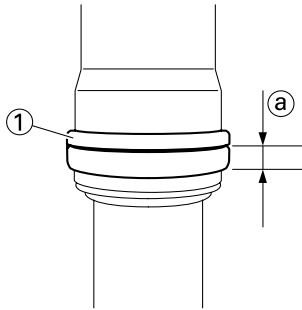


27. Install:

- Protector guide "1"

TIP

Install the protector guide with its wider side "a" facing downward.



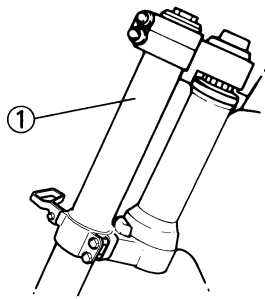
INSTALLING THE FRONT FORK

1. Install:

- Front fork "1"

TIP

- Temporarily tighten the pinch bolts (lower bracket).
- Do not tighten the pinch bolts (upper bracket) yet.



2. Tighten:

- Front fork cap bolt



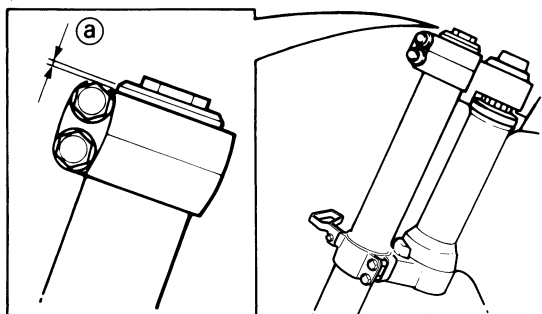
Front fork cap bolt:
30 Nm (3.0 m•kg, 22 ft•lb)

3. Adjust:

- Front fork top end "a"



Front fork top end (standard) "a":
Zero mm (Zero in)



4. Tighten:

- Pinch bolt (upper bracket) "1"



Pinch bolt (upper bracket):
21 Nm (2.1 m•kg, 15 ft•lb)

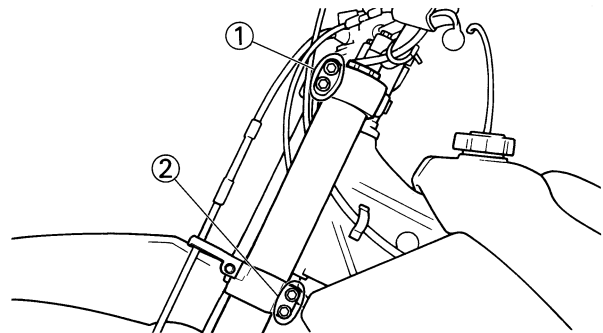
- Pinch bolt (lower bracket) "2"



Pinch bolt (lower bracket):
21 Nm (2.1 m•kg, 15 ft•lb)

WARNING

Tighten the lower bracket to specified torque. If torqued too much, it may cause the front fork to malfunction.



5. Install:

- Speed sensor lead "1"
- Plate 1 "2"
- Bolt (plate 1) "3"

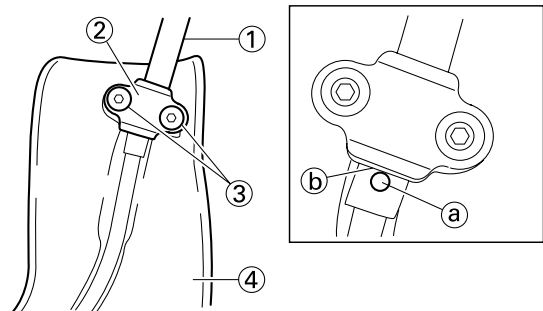


Bolt (plate 1):
4 Nm (0.4 m•kg, 2.9 ft • lb)

To right protector "4".

TIP

Install the speed sensor lead so that its paint "a" directs as shown and align the bottom "b" of the plate 1 with the same paint.



6. Install:

- Speed sensor lead "1"
- Plate 2 "2"
- Screw (plate 2) "3"

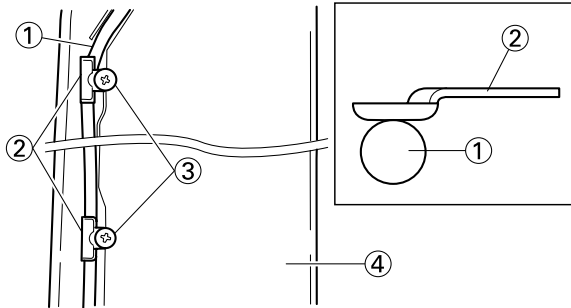


Screw (plate 2):
0.5 Nm (0.05 m•kg, 0.36 ft•lb)

To right protector "4".

TIP

Install the plate 2 in the direction as shown.

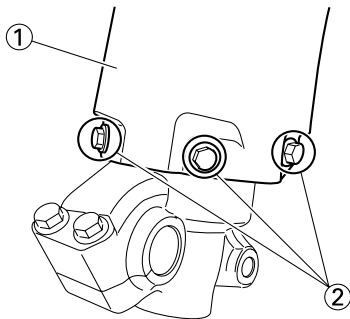


7. Install:

- Protector "1"
- Bolt (protector) "2"



Bolt (protector):
7 Nm (0.7 m•kg, 5.1 ft•lb)

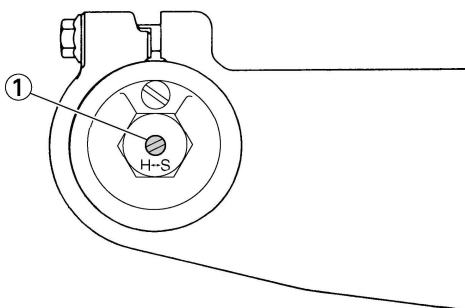


8. Adjust:

- Rebound damping force

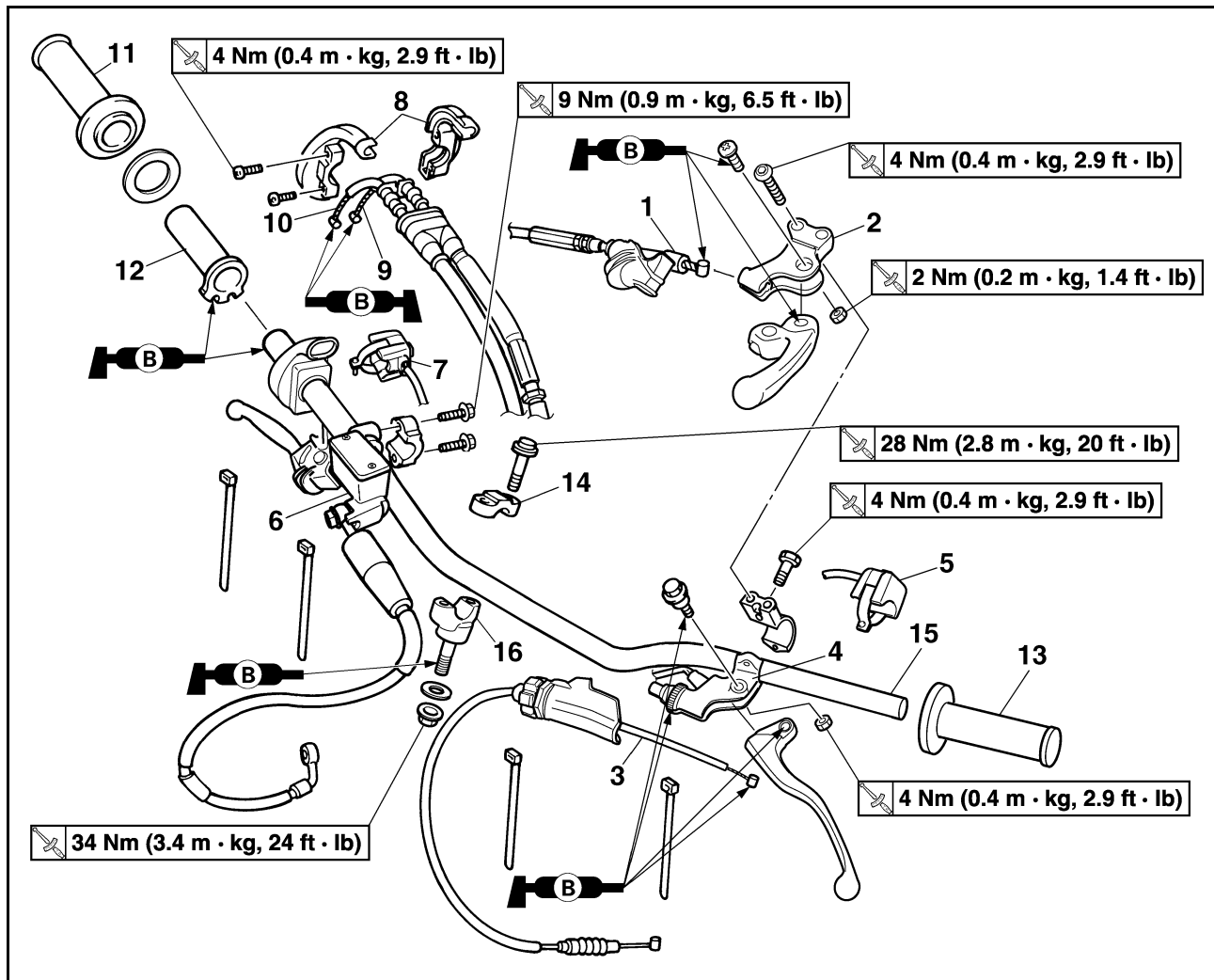
TIP

Turn in the damping adjuster "1" finger-tight and then turn out to the originally set position.



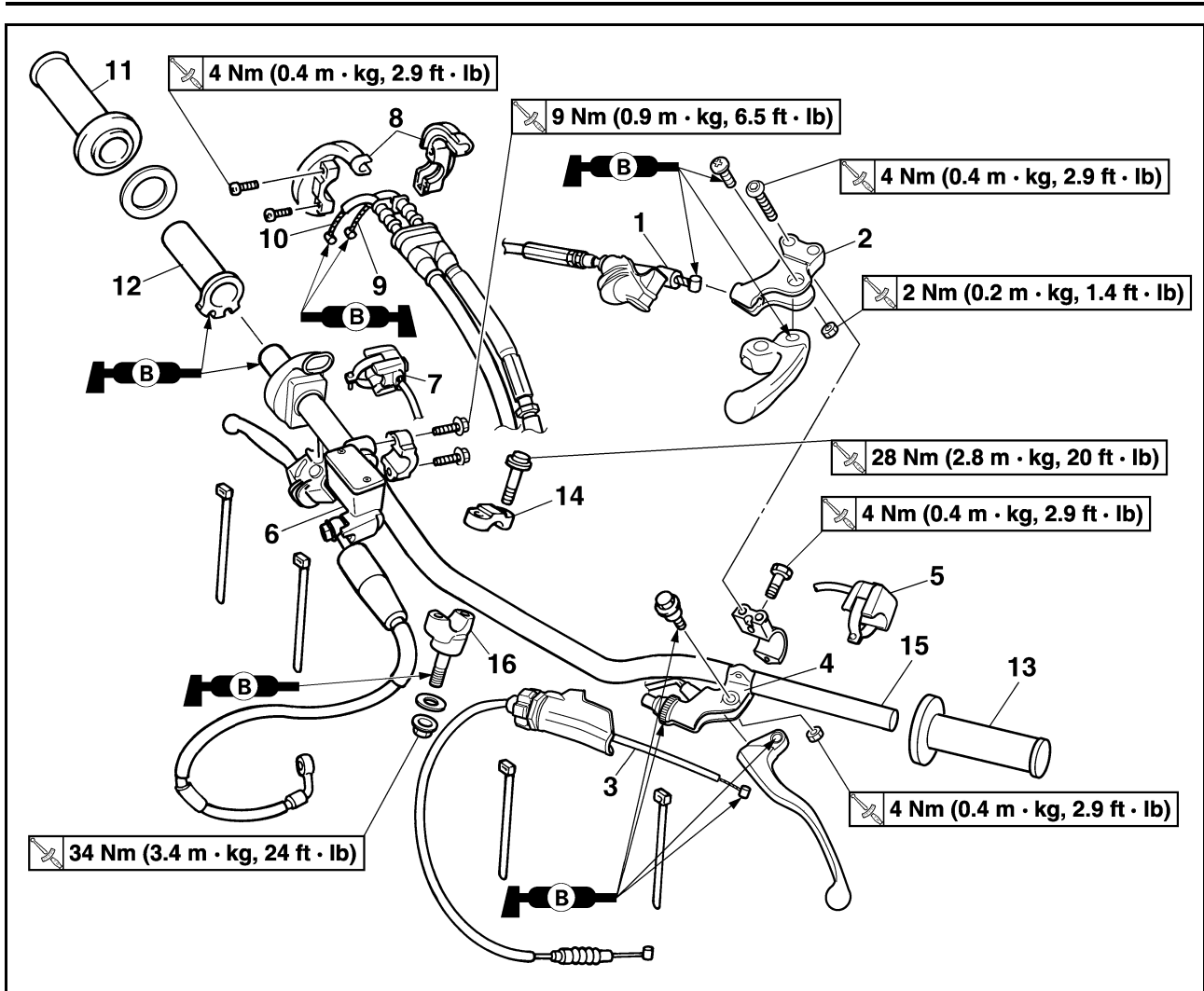
HANDLEBAR

REMOVING THE HANDLEBAR



Order	Part name	Q'ty	Remarks
	Headlight		
1	Hot starter cable	1	Disconnect at the lever side.
2	Hot starter lever holder	1	
3	Clutch cable	1	Disconnect at the lever side.
4	Clutch lever holder	1	Disconnect the clutch switch lead.
5	Engine stop switch	1	Disconnect the engine stop switch lead.
6	Brake master cylinder	1	Refer to removal section.
7	Start switch	1	Disconnect the start switch lead.
8	Throttle cable cap	1	
9	Throttle cable #1 (pulled)	1	Disconnect at the throttle side.
10	Throttle cable #2 (pushed)	1	Disconnect at the throttle side.
11	Right grip	1	Refer to removal section.
12	Tube guide	1	

HANDLEBAR



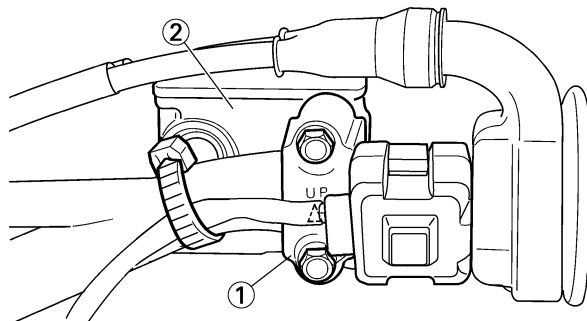
Order	Part name	Q'ty	Remarks
13	Left grip	1	Refer to removal section.
14	Handlebar upper holder	2	
15	Handlebar	1	
16	Handlebar lower holder	2	

REMOVING THE BRAKE MASTER CYLINDER

- Remove:
 - Brake master cylinder bracket "1"
 - Brake master cylinder "2"

NOTICE

- Do not let the brake master cylinder hang on the brake hose.
- Keep the brake master cylinder cap side horizontal to prevent air from coming in.

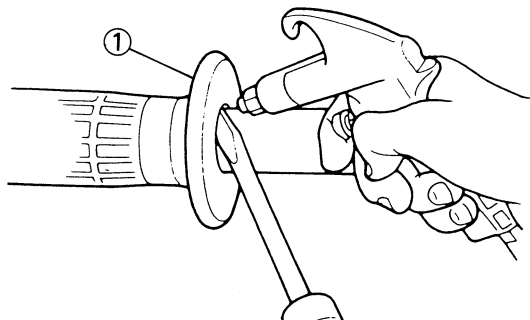


REMOVING THE GRIP

- Remove:
 - Grip "1"

TIP

Blow in air between the handlebar or tube guide and the grip. Then remove the grip which has become loose.



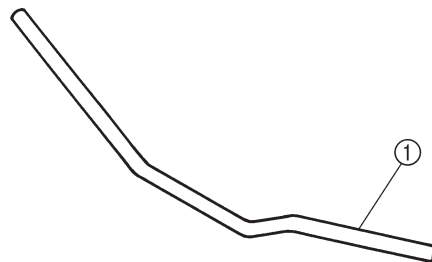
CHECKING THE HANDLEBAR

- Inspect:
 - Handlebar "1"

Bends/cracks/damage → Replace.

WARNING

Do not attempt to straighten a bent handlebar as this may dangerously weaken the handlebar.

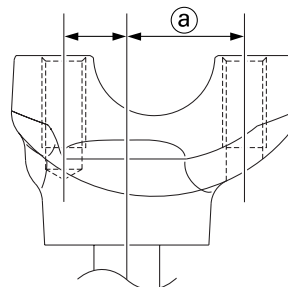
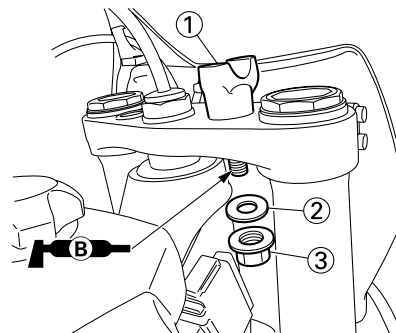


INSTALLING THE HANDLEBAR

- Install:
 - Handlebar lower holder "1"
 - Washer "2"
 - Nut (handlebar lower holder) "3"

TIP

- Install the handlebar lower holder with its side having the greater distance "a" from the mounting bolt center facing forward.
- Apply the lithium soap base grease on the thread of the handlebar lower holder.
- Installing the handlebar lower holder in the reverse direction allows the front-to-rear offset amount of the handlebar position to be changed.
- Do not tighten the nut yet.



- Install:
 - Handlebar "1"
 - Handlebar upper holder "2"

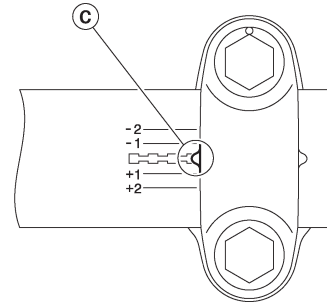
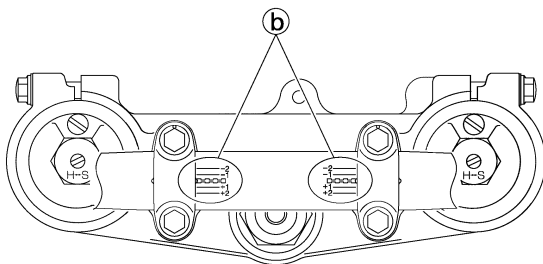
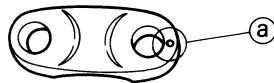
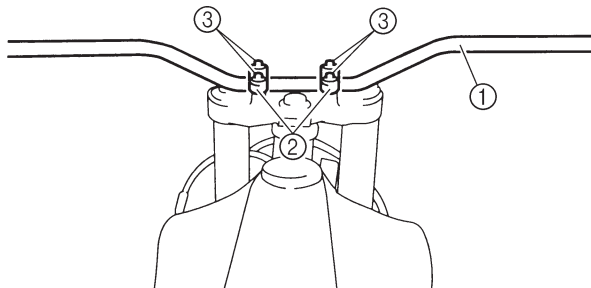
- Bolt (handlebar upper holder) "3"



Bolt (handlebar upper holder):
28 Nm (2.8 m•kg, 20 ft•lb)

TIP

- The handlebar upper holder should be installed with the punched mark "a" forward.
- Install the handlebar so that the marks "b" are in place on both sides.
- Install the handlebar so that the projection "c" of the handlebar upper holder is positioned at the mark on the handlebar as shown.
- First tighten the bolts on the front side of the handlebar upper holder, and then tighten the bolts on the rear side.

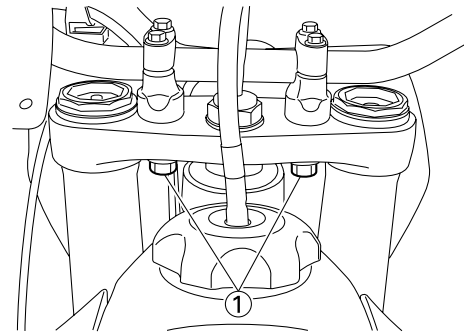


3. Tighten:

- Nut (handlebar lower holder) "1"



Nut (handlebar lower holder):
34 Nm (3.4 m•kg, 24 ft•lb)

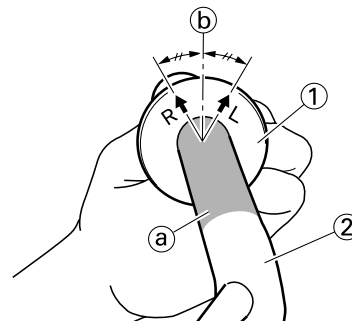


4. Install:

- Left grip "1"
Apply the adhesive to the handlebar "2".

TIP

- Before applying the adhesive, wipe off grease or oil on the handlebar surface "a" with a lacquer thinner.
- Install the left grip to the handlebar so that the line "b" between the two arrow marks faces straight upward.

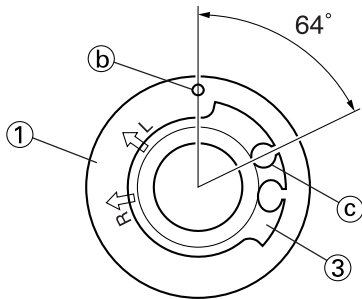
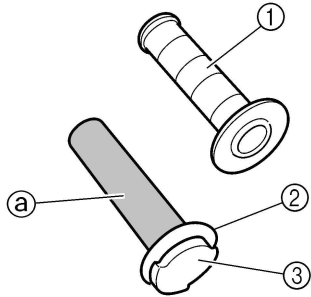


5. Install:

- Right grip "1"
- Collar "2"
Apply the adhesive on the tube guide "3".

TIP

- Before applying the adhesive, wipe off grease or oil on the tube guide surface "a" with a lacquer thinner.
- Install the grip to the tube guide so that the grip match mark "b" and tube guide slot "c" form the angle as shown.

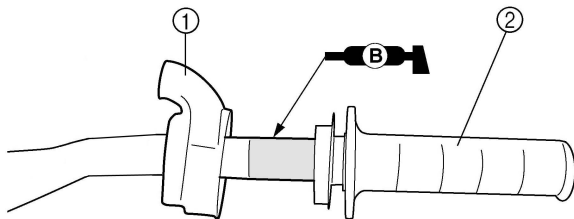


6. Install:

- Grip cap cover "1"
- Throttle grip "2"

TIP

Apply the lithium soap base grease on the throttle grip sliding surface.

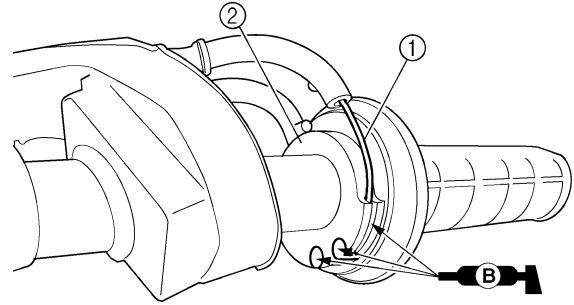


7. Install:

- Throttle cables "1"
- To tube guide "2".


TIP

Apply the lithium soap base grease on the throttle cable end and tube guide cable winding portion.



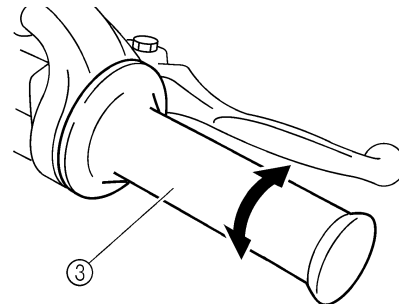
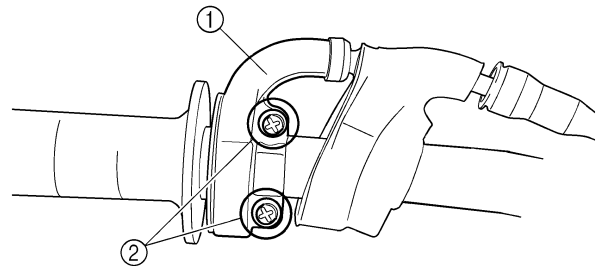
8. Install:

- Throttle cable cap "1"
- Screw (throttle cable cap) "2"

	Screw (throttle cable cap): 4 Nm (0.4 m•kg, 2.9 ft•lb)
---	--

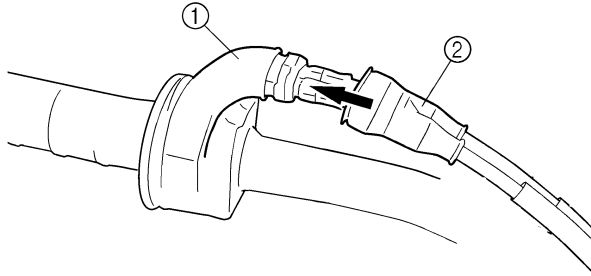
WARNING

After tightening the screws, check that the throttle grip "3" moves smoothly. If it does not, retighten the bolts for adjustment.



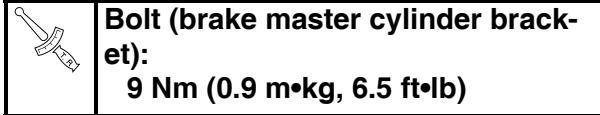
9. Install:

- Grip cap cover "1"
- Cover (throttle cable cap) "2"



10. Install:

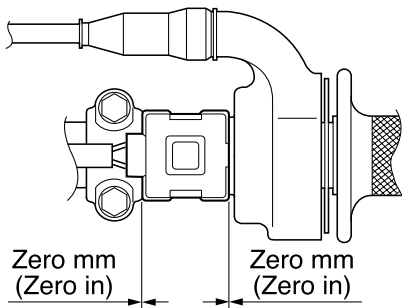
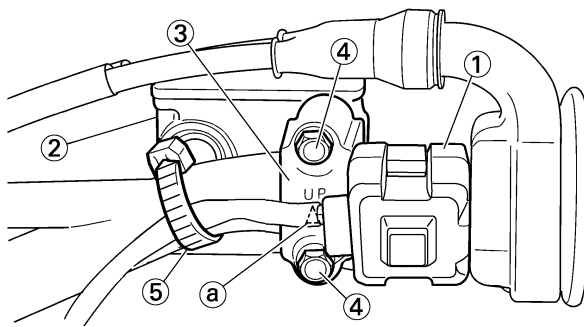
- Start switch "1"
- Brake master cylinder "2"
- Brake master cylinder bracket "3"
- Bolt (brake master cylinder bracket) "4"



- Clamp "5"

TIP

- The start switch and brake master cylinder bracket should be installed according to the dimensions shown.
- Install the bracket so that the arrow mark "a" faces upward.
- First tighten the bolt on the upper side of the brake master cylinder bracket, and then tighten the bolt on the lower side.



11. Install:

- Engine stop switch "1"
- Clutch lever holder "2"
- Bolt (clutch lever holder) "3"



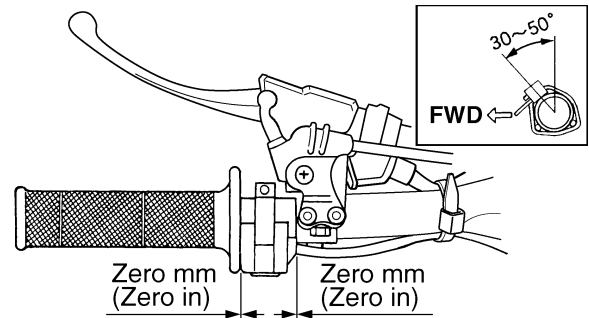
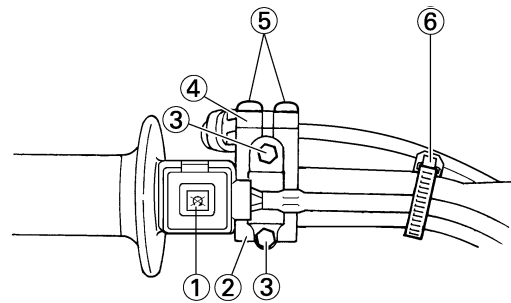
- Hot starter lever holder "4"
- Bolt (hot starter lever holder) "5"



- Clamp "6"

TIP

- The engine stop switch, clutch lever holder and clamp should be installed according to the dimensions shown.
- Pass the engine stop switch lead in the middle of the clutch lever holder.

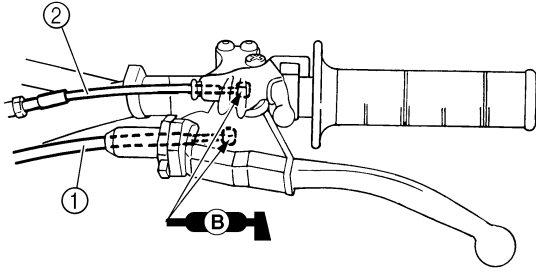


12. Install:

- Clutch cable "1"
- Hot starter cable "2"

TIP

- Apply the lithium soap base grease on the clutch cable end and hot starter cable end.

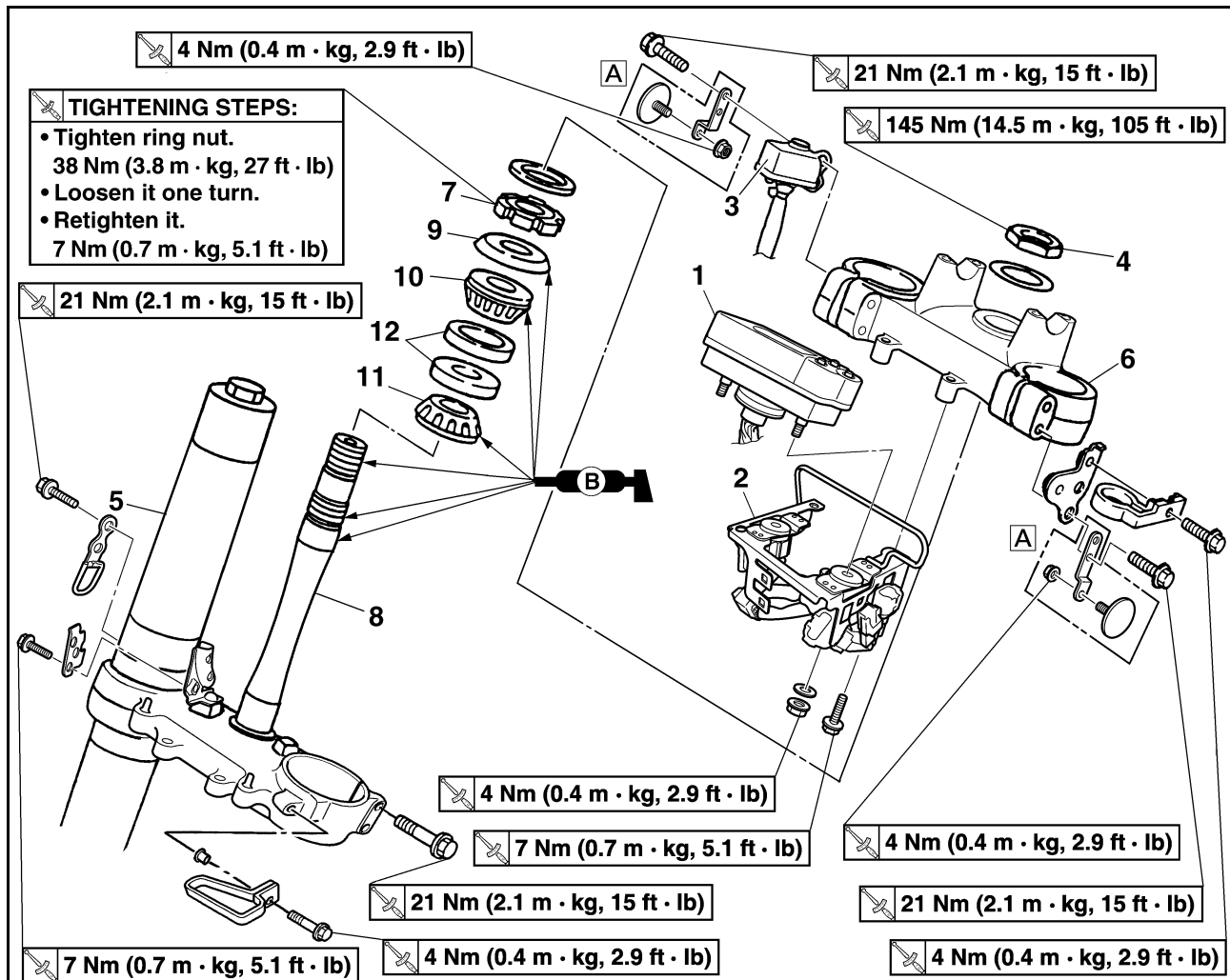


13.Adjust:

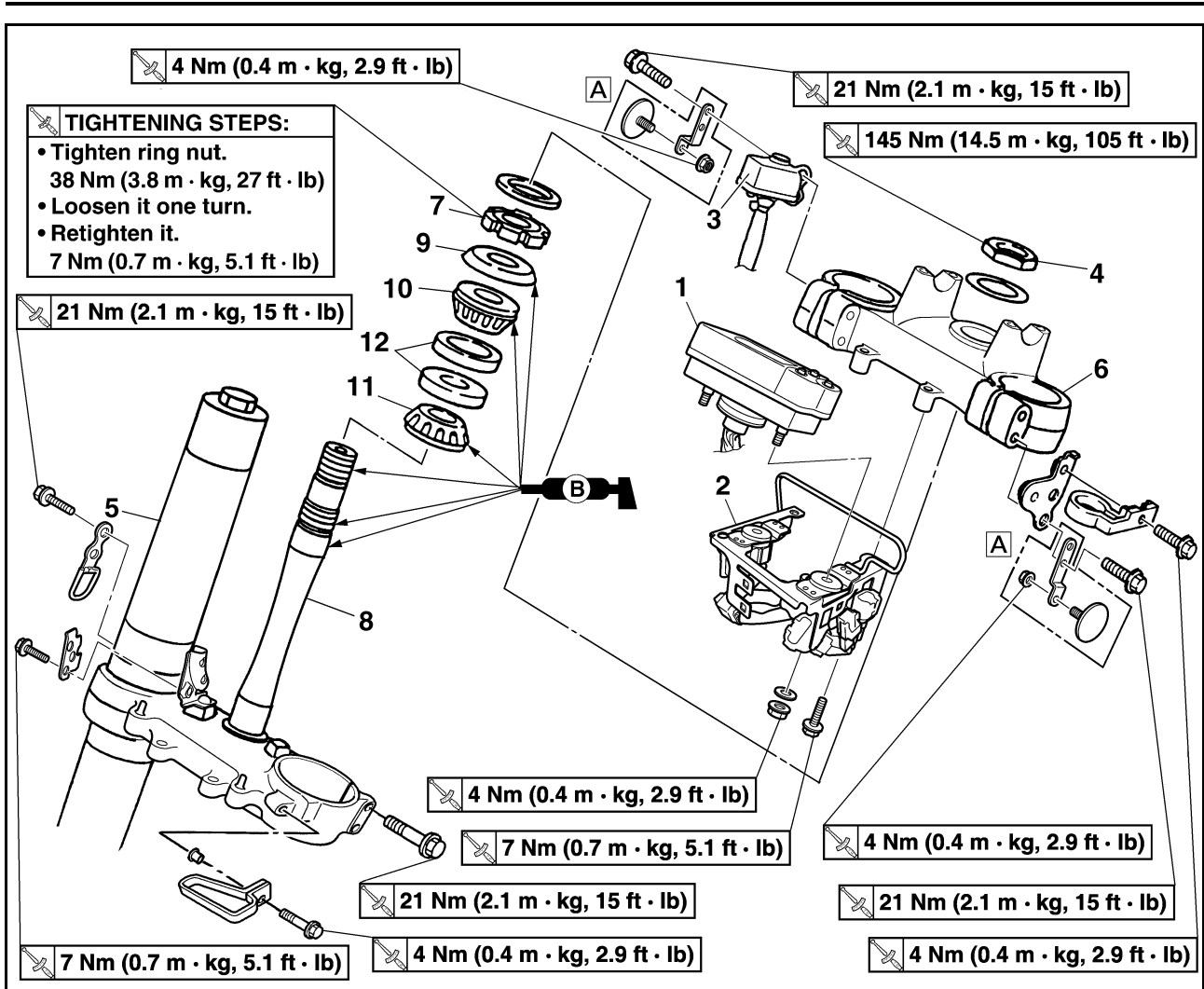
- Clutch lever free play
Refer to "ADJUSTING THE CLUTCH CABLE FREE PLAY" section in the CHAPTER 3.
- Hot starter lever free play
Refer to "ADJUSTING THE HOT STARTER LEVER FREE PLAY" section in the CHAPTER 3.

STEERING

REMOVING THE STEERING



Order	Part name	Q'ty	Remarks
			A. For CDN
			TIGHTENING STEPS: <ul style="list-style-type: none"> • Tighten ring nut. 38 Nm (3.8 m•kg, 27 ft•lb) • Loosen it one turn. • Retighten it. 7 Nm (0.7 m•kg, 5.1 ft•lb)
	Hold the machine by placing the suitable stand under the engine.		Refer to "HANDLING NOTE".
	Headlight		
	Handlebar		Refer to "HANDLEBAR" section.
	Front brake hose guide		
	Front fender		
1	Multi-function display	1	
2	Multi-function display bracket	1	
3	Main switch	1	Disconnect the main switch lead.



Order	Part name	Q'ty	Remarks
4	Steering stem nut	1	
5	Front fork	2	Refer to "FRONT FORK" section.
6	Upper bracket	1	
7	Steering ring nut	1	Refer to removal section.
8	Lower bracket	1	
9	Bearing race cover	1	
10	Upper bearing	1	
11	Lower bearing	1	Refer to removal section.
12	Bearing race	2	Refer to removal section.

HANDLING NOTE

WARNING

Support the machine securely so there is no danger of it falling over.

REMOVING THE STEERING RING NUT

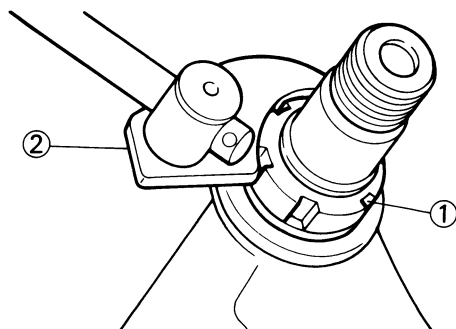
- Remove:
 - Steering ring nut "1"
 - Use the steering nut wrench "2".



Steering nut wrench:
YU-33975/90890-01403

WARNING

Support the steering stem so that it may not fall down.

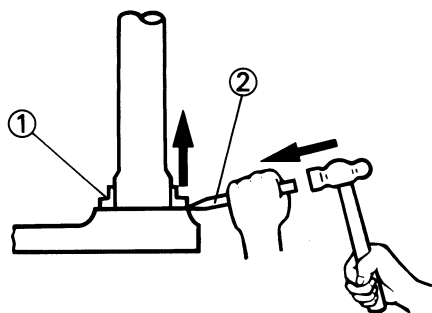


REMOVING THE LOWER BEARING

- Remove:
 - Lower bearing "1"
 - Use the floor chisel "2".

NOTICE

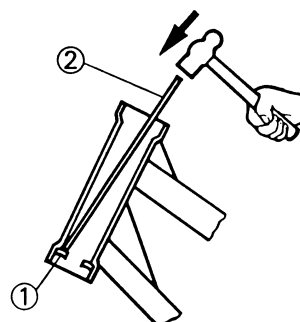
Take care not to damage the steering shaft thread.



354-007

REMOVING THE BEARING RACE

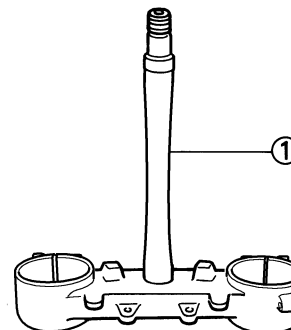
- Remove:
 - Bearing race "1"
 - Remove the bearing race using long rod "2" and the hammer.



354-005

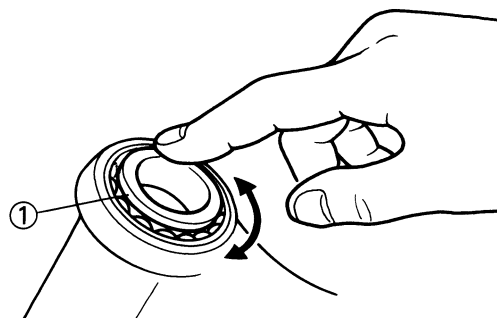
CHECKING THE STEERING STEM

- Inspect:
 - Steering stem "1"
 - Bend/damage → Replace.



CHECKING THE BEARING AND BEARING RACE

- Wash the bearings and bearing races with a solvent.
 - Inspect:
 - Bearing "1"
 - Bearing race
 - Pitting/damage → Replace bearings and bearing races as a set.
- Install the bearing in the bearing races. Spin the bearings by hand. If the bearings hang up or are not smooth in their operation in the bearing races, replace bearings and bearing races as a set.

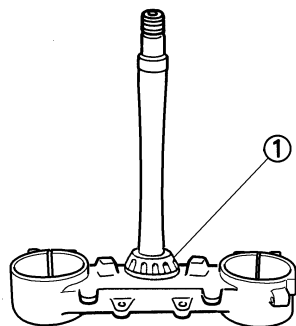


INSTALLING THE LOWER BRACKET

- Install:
 - Lower bearing "1"

TIP

Apply the lithium soap base grease on the dust seal lip and bearing inner circumference.

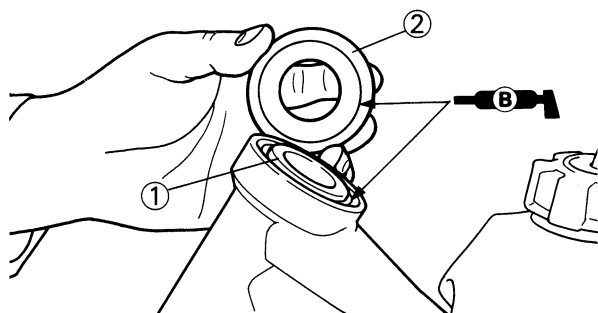


2. Install:

- Bearing race
- Upper bearing "1"
- Bearing race cover "2"

TIP

Apply the lithium soap base grease on the bearing and bearing race cover lip.

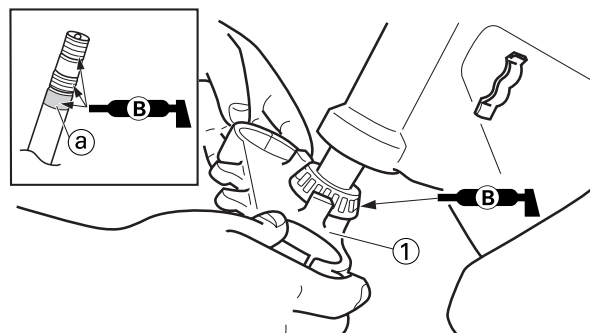


3. Install:

- Lower bracket "1"


TIP

Apply the lithium soap base grease on the bearing, the portion "a" and thread of the steering stem.



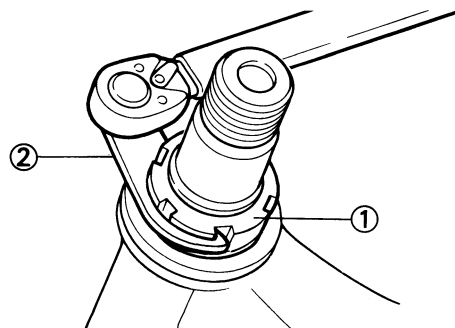
4. Install:

- Steering ring nut "1"

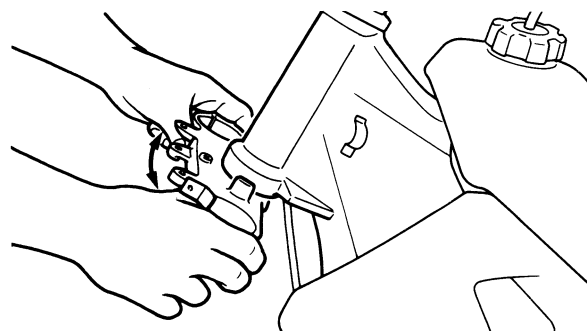
	Steering ring nut: 7 Nm (0.7 m•kg, 5.1 ft•lb)
---	---

Tighten the steering ring nut using the steering nut wrench "2".

Refer to "CHECKING AND ADJUSTING THE STEERING HEAD" section in the CHAPTER 3.

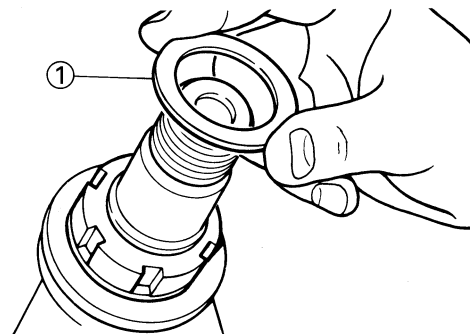


5. Check the steering stem by turning it lock to lock. If there is any binding, remove the steering stem assembly and inspect the steering bearings.




6. Install:

- Washer "1"



7. Install:

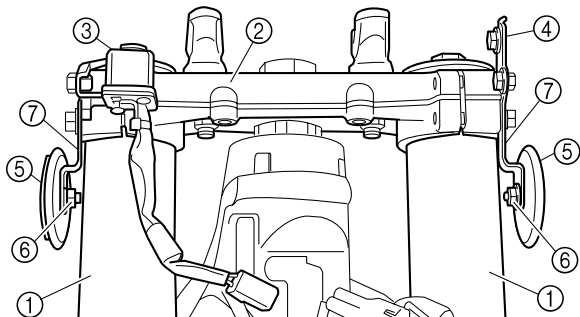
- Front fork "1"
- Upper bracket "2"
- Main switch "3"
- Front brake hose guide bracket "4"
- Front reflector (For CDN) "5"
- Nut (front reflector) (For CDN) "6"

	Nut (front reflector) (For CDN): 4 Nm (0.4 m•kg, 2.9 ft•lb)
---	---

- Front reflector bracket (For CDN) "7"

TIP

- Temporarily tighten the pinch bolts (lower bracket).
- Do not tighten the pinch bolts (upper bracket) yet.

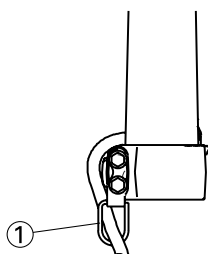


8. Install:

- Guide (speed sensor lead) "1"

TIP

After installing the guide as shown, pass the speed sensor lead through the guide.

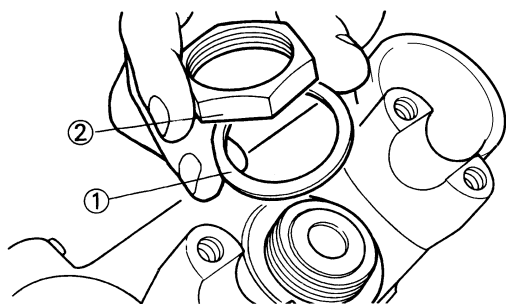


9. Install:

- Washer "1"
- Steering stem nut "2"



Steering stem nut:
145 Nm (14.5 m•kg, 105 ft•lb)



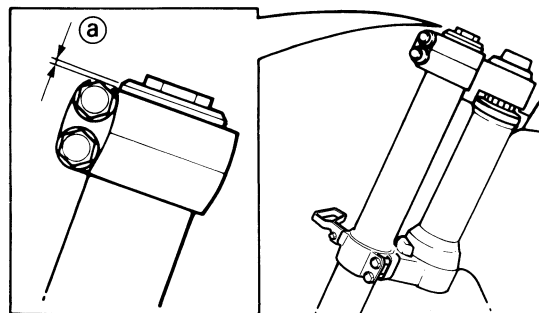
10. After tightening the nut, check the steering for smooth movement. If not, adjust the steering by loosening the steering ring nut little by little.

11. Adjust:

- Front fork top end "a"



Front fork top end (standard) "a":
Zero mm (Zero in)



12. Tighten:

- Pinch bolt (upper bracket) "1"



Pinch bolt (upper bracket):
21 Nm (2.1 m•kg, 15 ft•lb)

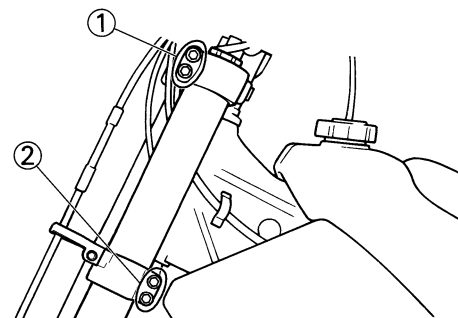
- Pinch bolt (lower bracket) "2"



Pinch bolt (lower bracket):
21 Nm (2.1 m•kg, 15 ft•lb)

! WARNING

Tighten the lower bracket to specified torque. If torqued too much, it may cause the front fork to malfunction.



13. Install:

- Multi-function display bracket "1"



Multi-function display bracket:
7 Nm (0.7 m•kg, 5.1 ft•lb)

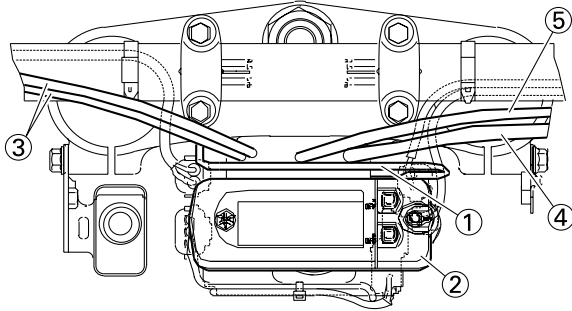
- Multi-function display "2"



Multi-function display:
4 Nm (0.4 m•kg, 2.9 ft•lb)

TIP

Pass the throttle cables "3", clutch cable "4" and hot starter cable "5" between the multi-function display bracket and upper bracket.



14. Install:

- Holder "1"



Holder:
13 Nm (1.3 m•kg, 9.4 ft•lb)

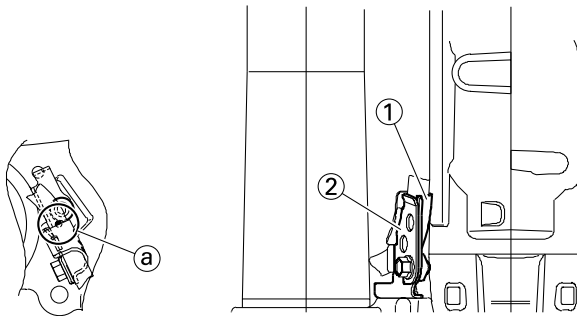
- Clamp "2"



Clamp:
7 Nm (0.7 m•kg, 5.1 ft•lb)

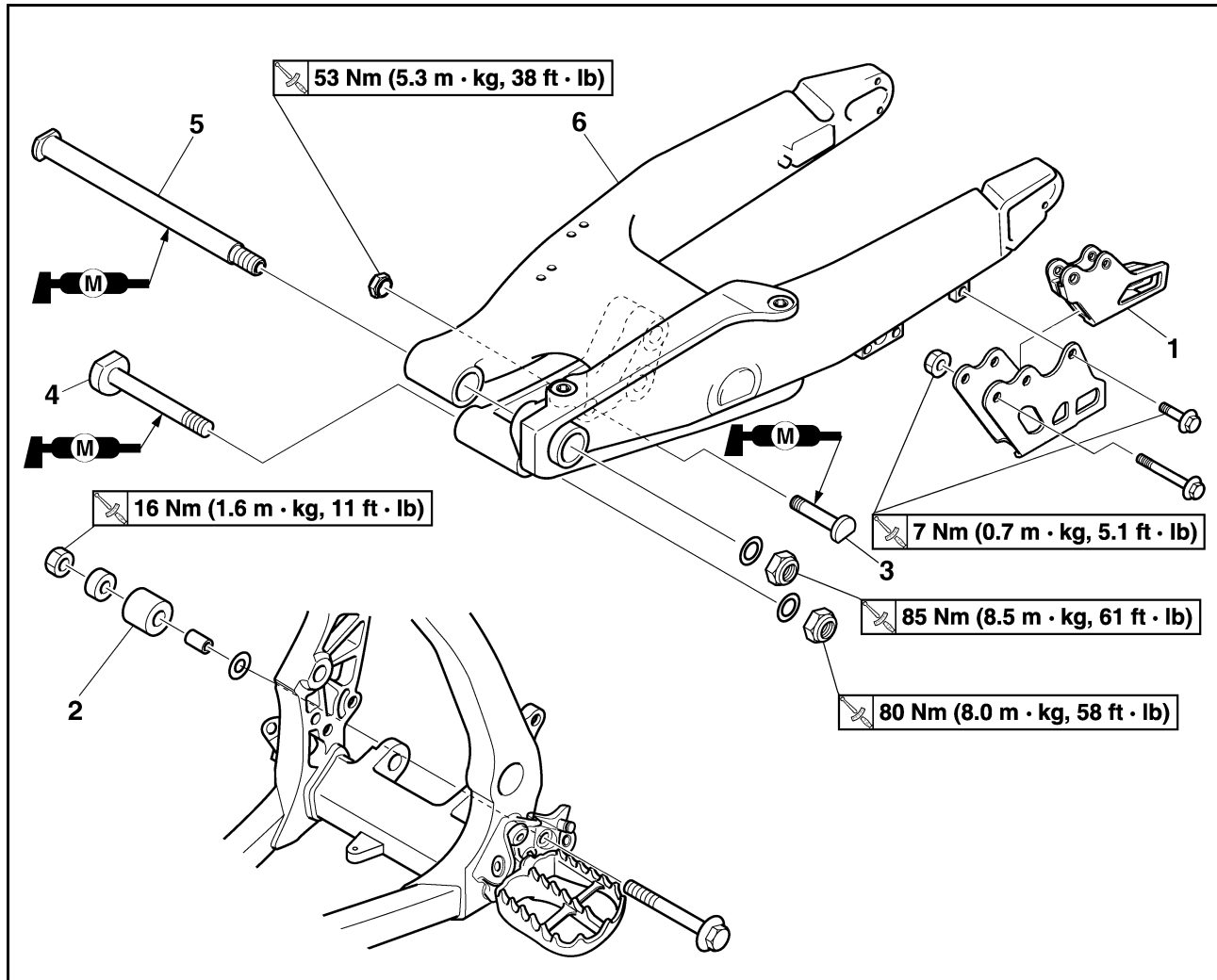
TIP

- Install so that the marking "a" on the speed sensor lead aligns with the holder edge.
- Fasten the speed sensor lead to the holder with the clamp.



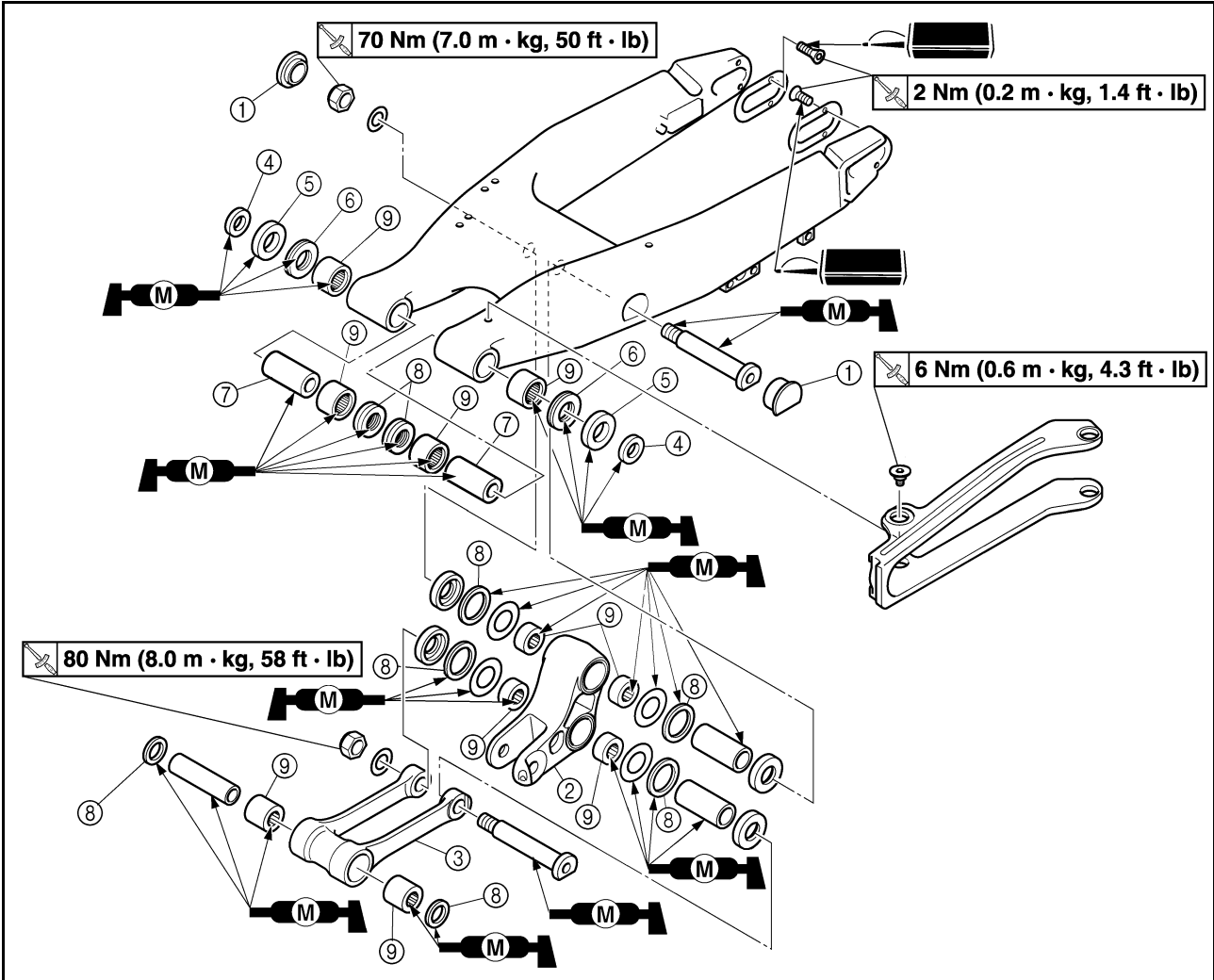
SWINGARM

REMOVING THE SWINGARM



Order	Part name	Q'ty	Remarks
	Hold the machine by placing the suitable stand under the engine.		Refer to "HANDLING NOTE".
	Brake hose holder		Refer to "FRONT BRAKE AND REAR BRAKE" section.
	Rear brake caliper		Refer to "FRONT BRAKE AND REAR BRAKE" section.
	Bolt (brake pedal)		Shift the brake pedal backward.
	Drive chain		
1	Drive chain support	1	
2	Lower chain tensioner	1	
3	Bolt (rear shock absorber-relay arm)	1	Hold the swingarm.
4	Bolt (connecting rod)	1	
5	Pivot shaft	1	
6	Swingarm	1	

DISASSEMBLING THE SWINGARM



Order	Part name	Q'ty	Remarks
1	Cap	2	Refer to removal section.
2	Relay arm	1	
3	Connecting rod	1	
4	Collar	2	
5	Oil seal	2	
6	Thrust bearing	2	
7	Bushing	2	
8	Oil seal	8	
9	Bearing	10	Refer to removal section.

HANDLING NOTE

! WARNING

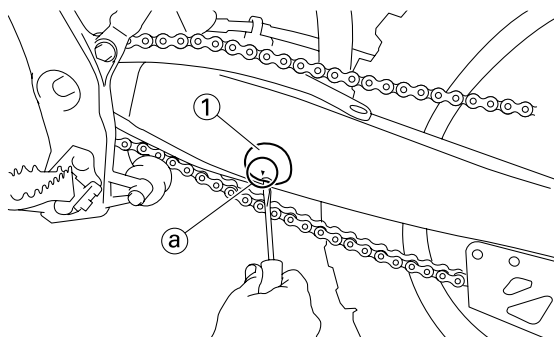
Support the machine securely so there is no danger of it falling over.

REMOVING THE CAP

1. Remove:
 - Left cap "1"

TIP

Remove with a slotted-head screwdriver inserted under the mark "a" on the left cap.

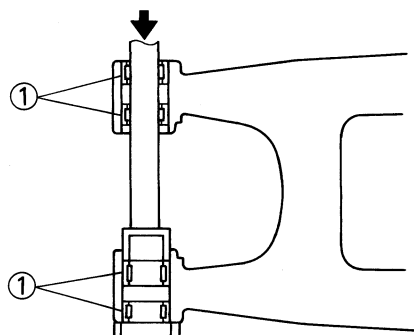


REMOVING THE BEARING

1. Remove:
 - Bearing "1"

TIP

Remove the bearing by pressing its outer race.

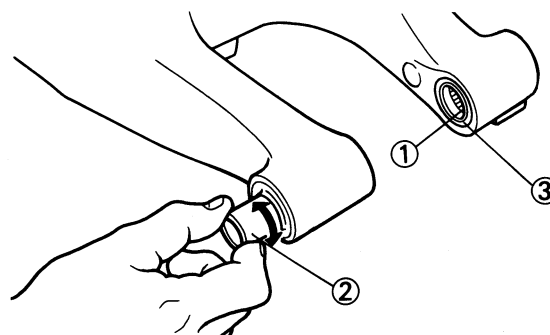


CHECKING THE SWINGARM

1. Inspect:
 - Bearing "1"
 - Bushing "2"

Free play exists/unsmooth revolution/rust → Replace bearing and bushing as a set.
2. Inspect:
 - Oil seal "3"

Damage → Replace.

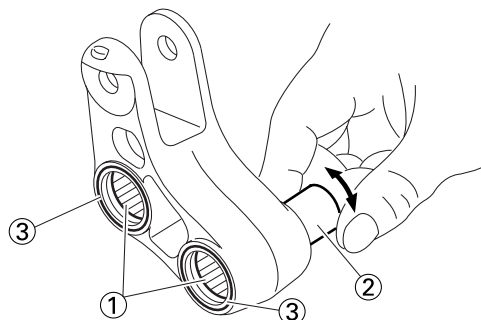


CHECKING THE RELAY ARM

1. Inspect:
 - Bearing "1"
 - Collar "2"

Free play exists/unsmooth revolution/rust → Replace bearing and collar as a set.
2. Inspect:
 - Oil seal "3"

Damage → Replace.

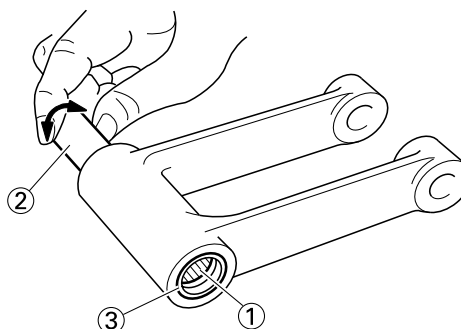


CHECKING THE CONNECTING ROD

1. Inspect:
 - Bearing "1"
 - Collar "2"

Free play exists/unsmooth revolution/rust → Replace bearing and collar as a set.
2. Inspect:
 - Oil seal "3"

Damage → Replace.




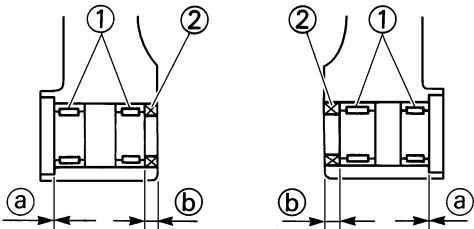
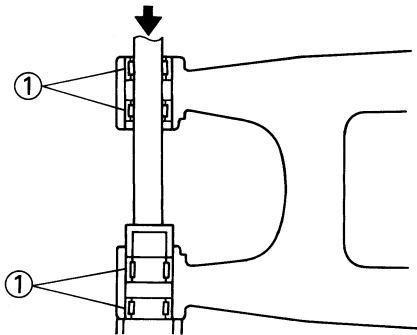
INSTALLING THE BEARING AND OIL SEAL

1. Install:
- Bearing "1"
 - Oil seal "2"
- To swingarm.

TIP

- Apply the molybdenum disulfide grease on the bearing when installing.
- Install the bearing by pressing it on the side having the manufacture's marks or numbers.
- First install the outer and then the inner bearings to a specified depth from inside.


	Installed depth of bearings: Outer "a": Zero mm (Zero in) Inner "b": 6.5 mm (0.26 in)
---	--

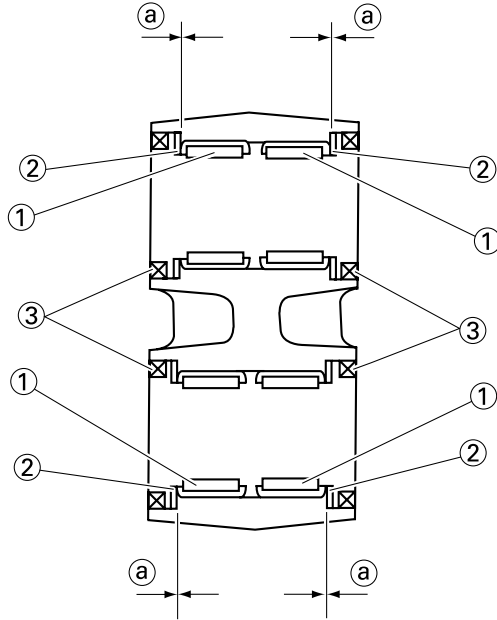


2. Install:
- Bearing "1"
 - Washer "2"
 - Oil seal "3"
- To relay arm.

TIP

- Apply the molybdenum disulfide grease on the bearing when installing.
- Install the bearing by pressing it on the side having the manufacture's marks or numbers.
- Apply the molybdenum disulfide grease on the washer.


	Installed depth of bearings "a": Zero mm (Zero in)
---	---

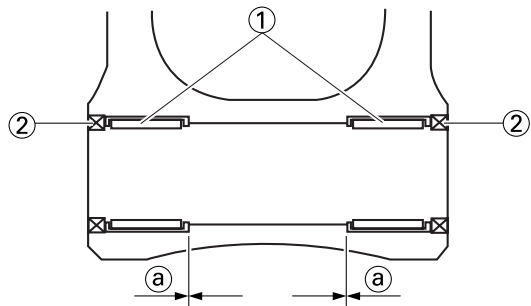


3. Install:
- Bearing "1"
 - Oil seal "2"
- To connecting rod.

TIP

- Apply the molybdenum disulfide grease on the bearing when installing.
- Install the bearing by pressing it on the side having the manufacture's marks or numbers.

	Installed depth of bearings "a": Zero mm (Zero in)
---	---

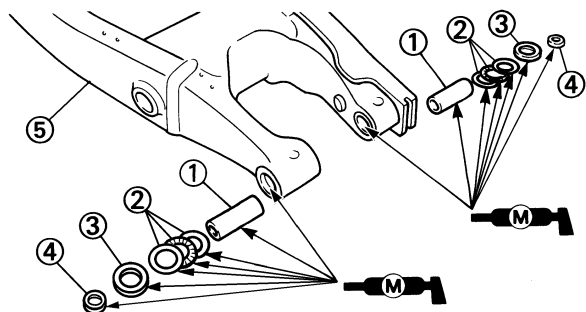


INSTALLING THE SWINGARM

1. Install:
- Bushing "1"
 - Thrust bearing "2"
 - Oil seal "3"
 - Collar "4"
- To swingarm "5".

TIP

Apply the molybdenum disulfide grease on the bushings, thrust bearings, oil seal lips and contact surfaces of the collar and thrust bearing.

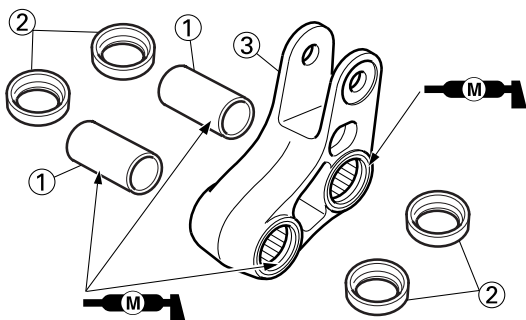


2. Install:

- Collar "1"
 - Washer "2"
- To relay arm "3".

TIP

Apply the molybdenum disulfide grease on the collars and oil seal lips.

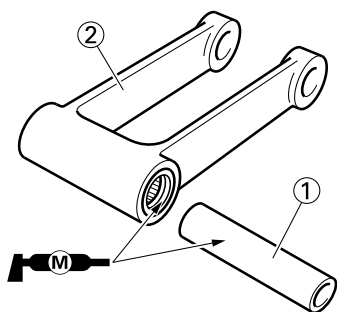


3. Install:

- Collar "1"
- To connecting rod "2".

TIP


Apply the molybdenum disulfide grease on the collar and oil seal lips.



4. Install:

- Connecting rod "1"
- Bolt (connecting rod) "2"

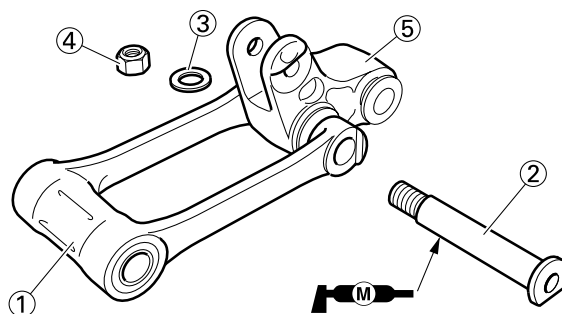
- Washer "3"
- Nut (connecting rod) "4"

	Nut (connecting rod): 80 Nm (8.0 m•kg, 58 ft•lb)
---	---

To relay arm "5".

TIP

Apply the molybdenum disulfide grease on the bolt.

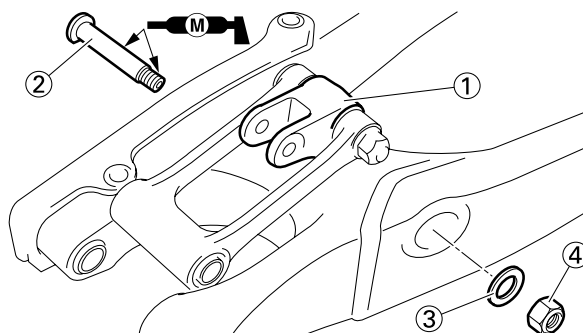


5. Install:

- Relay arm "1"
 - Bolt (relay arm) "2"
 - Washer "3"
 - Nut (relay arm) "4"
- To swingarm.


TIP

- Apply the molybdenum disulfide grease on the bolt circumference and threaded portion.
- Do not tighten the nut yet.



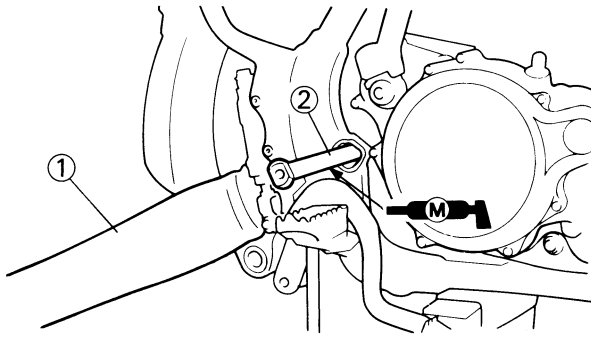
6. Install:

- Swingarm "1"
- Pivot shaft "2"

	Pivot shaft: 85 Nm (8.5 m•kg, 61 ft•lb)
---	--

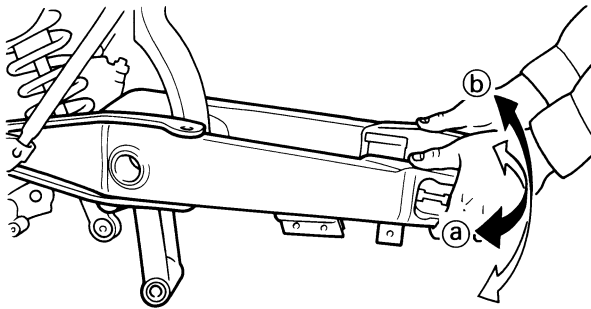
TIP

- Apply the molybdenum disulfide grease on the pivot shaft.
- Insert the pivot shaft from right side.



7. Check:

- Swingarm side play "a"
Free play exists → Replace thrust bearing.
- Swingarm up and down movement "b"
Unsmooth movement/binding/rough spots
→ Grease or replace bearings, bushings and collars.

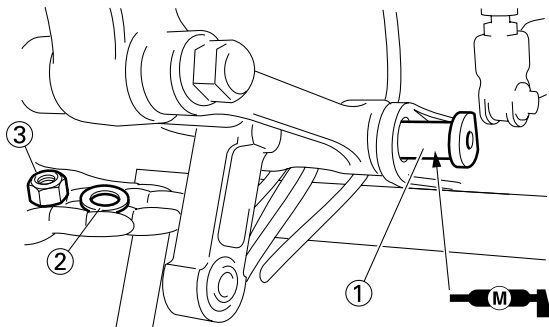


8. Install:

- Bolt (connecting rod) "1"
- Washer "2"
- Nut (connecting rod) "3"


TIP

- Apply the molybdenum disulfide grease on the bolt.
- Do not tighten the nut yet.



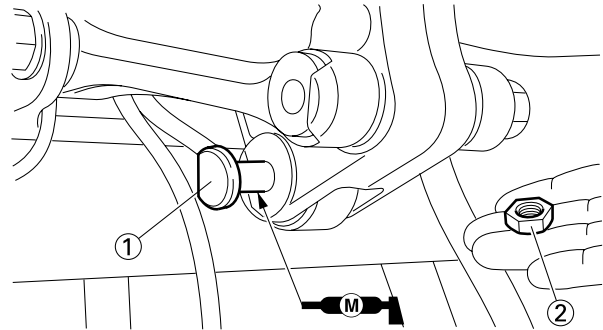
9. Install:

- Bolt (rear shock absorber-relay arm) "1"
- Nut (rear shock absorber-relay arm) "2"

	<p>Nut (rear shock absorber-relay arm): 53 Nm (5.3 m•kg, 38 ft•lb)</p>
---	---

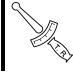
TIP

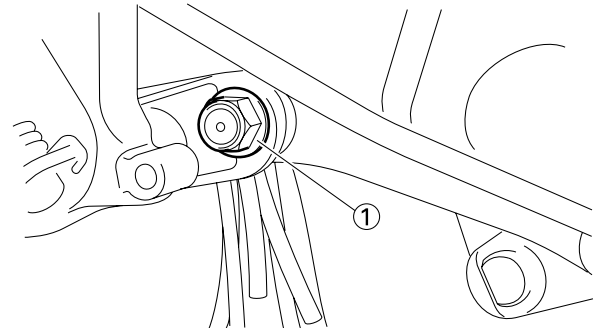
Apply the molybdenum disulfide grease on the bolt.



10. Tighten:

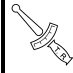
- Nut (connecting rod) "1"

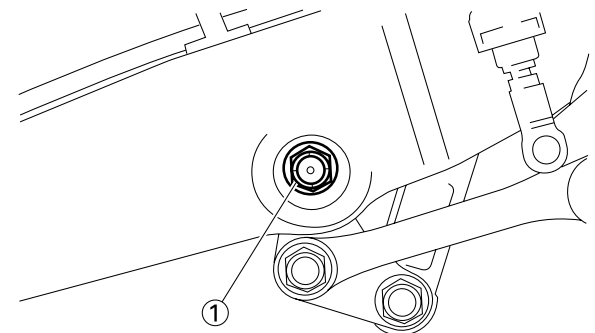
	<p>Nut (connecting rod): 80 Nm (8.0 m•kg, 58 ft•lb)</p>
---	--



11. Tighten:

- Nut (relay arm) "1"

	<p>Nut (relay arm): 70 Nm (7.0 m•kg, 50 ft•lb)</p>
---	---

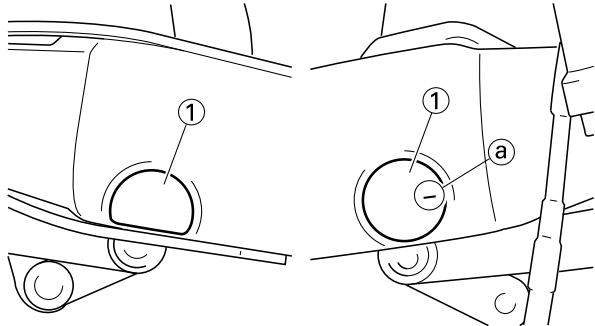


12. Install:

- Cap "1"

TIP

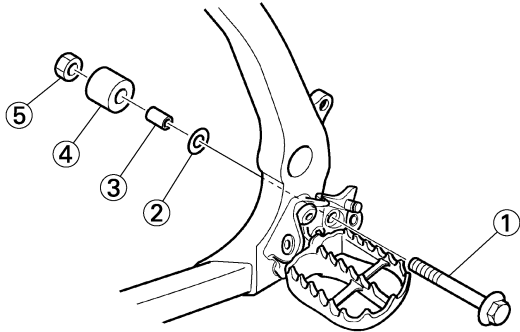
Install the right cap with its mark "a" facing forward.



13. Install:

- Bolt (lower chain tensioner) "1"
- Washer "2"
- Collar "3"
- Lower chain tensioner "4"
- Nut (lower chain tensioner) "5"

	Nut (lower chain tensioner): 16 Nm (1.6 m•kg, 11 ft•lb)
---	--



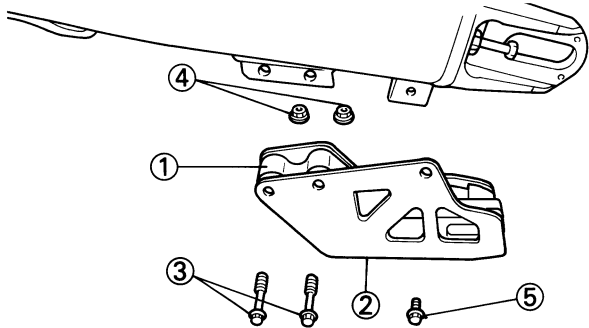
14. Install:

- Drive chain support "1"
- Drive chain support cover "2"
- Bolt {drive chain support [L = 50 mm (1.97 in)]} "3"
- Nut (drive chain support) "4"

	Nut (drive chain support): 7 Nm (0.7 m•kg, 5.1 ft•lb)
---	--

- Bolt {drive chain support cover [L = 10 mm (0.39 in)]} "5"

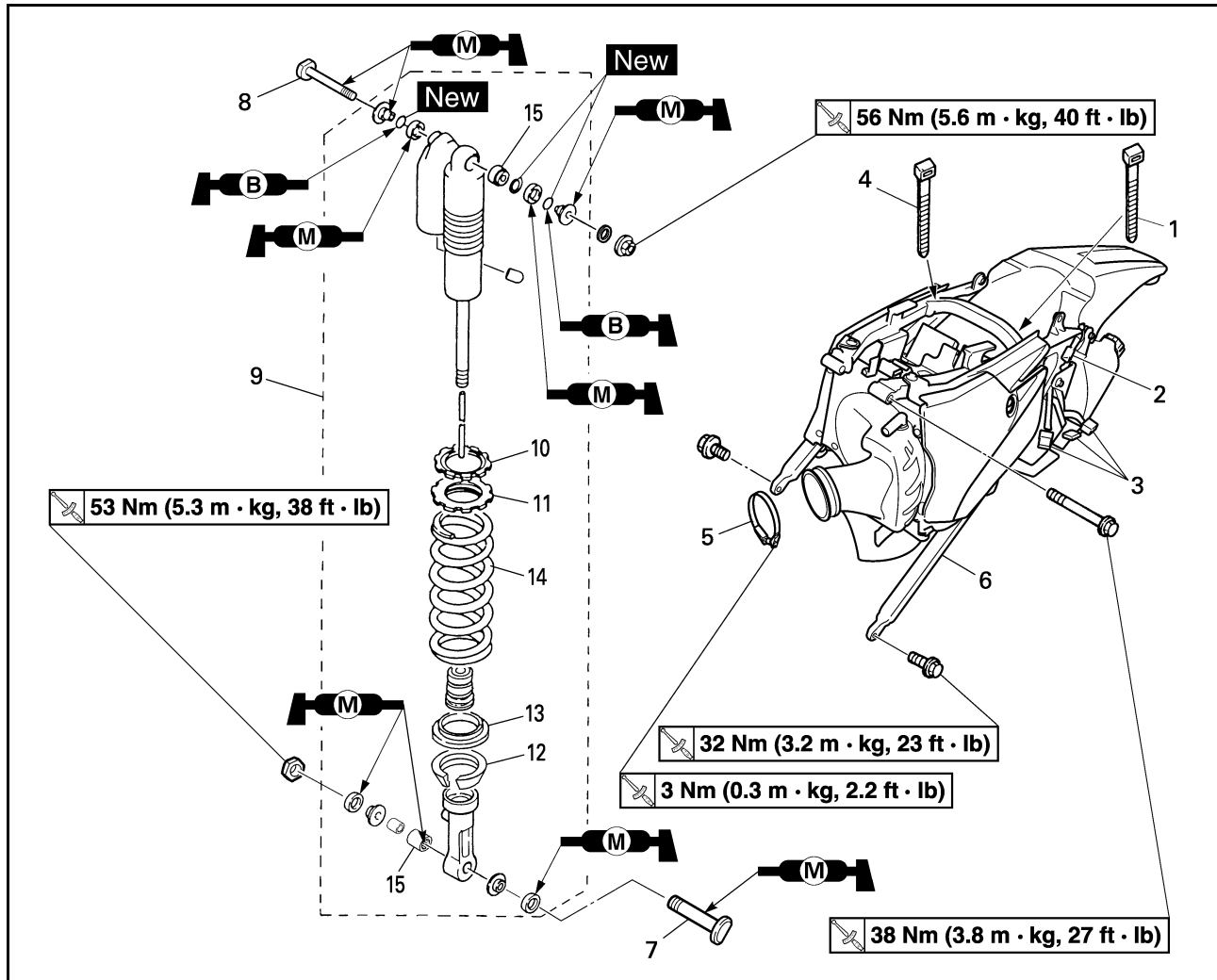
	Bolt (drive chain support cover): 7 Nm (0.7 m•kg, 5.1 ft•lb)
---	---



REAR SHOCK ABSORBER

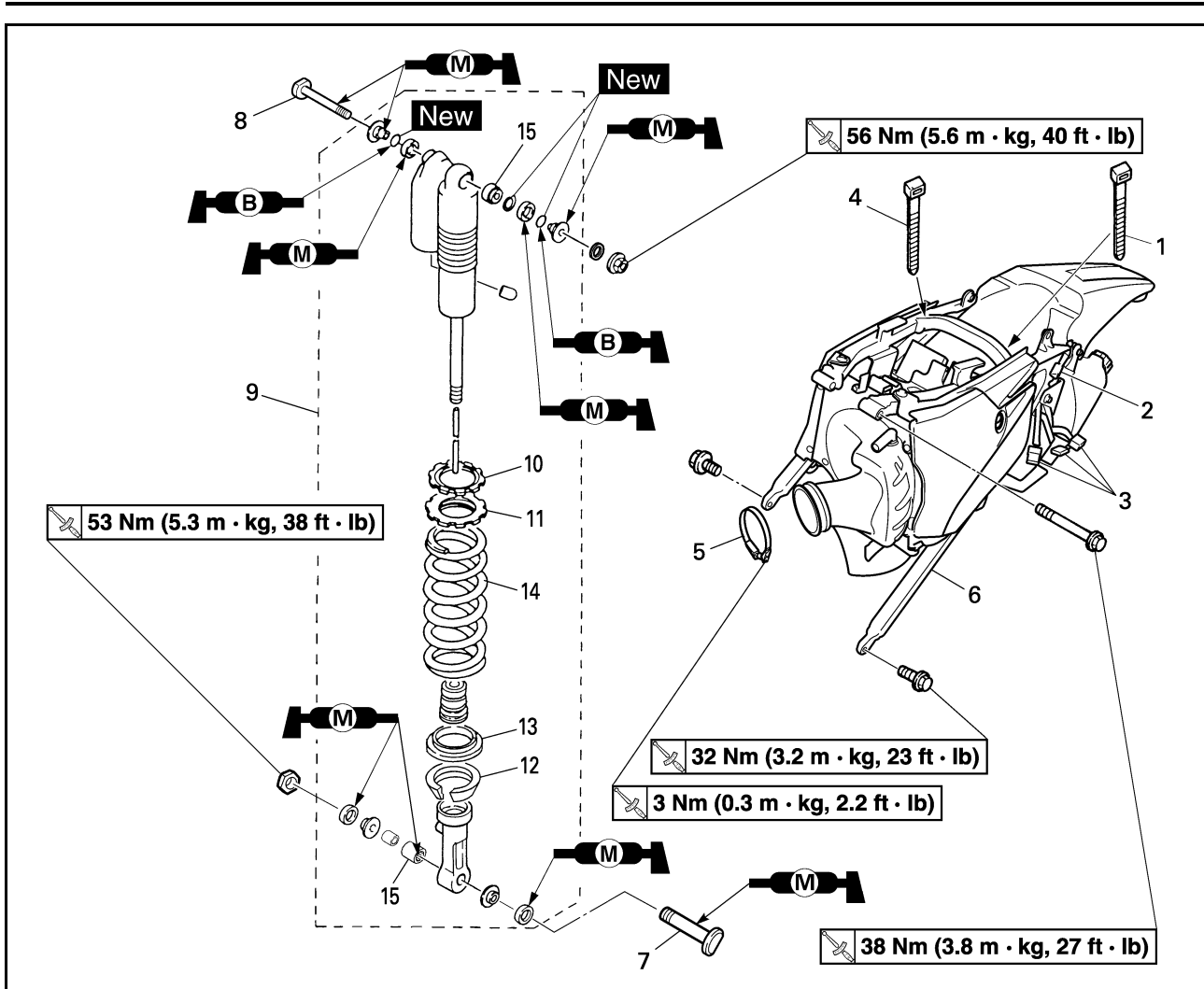
REAR SHOCK ABSORBER

REMOVING THE REAR SHOCK ABSORBER



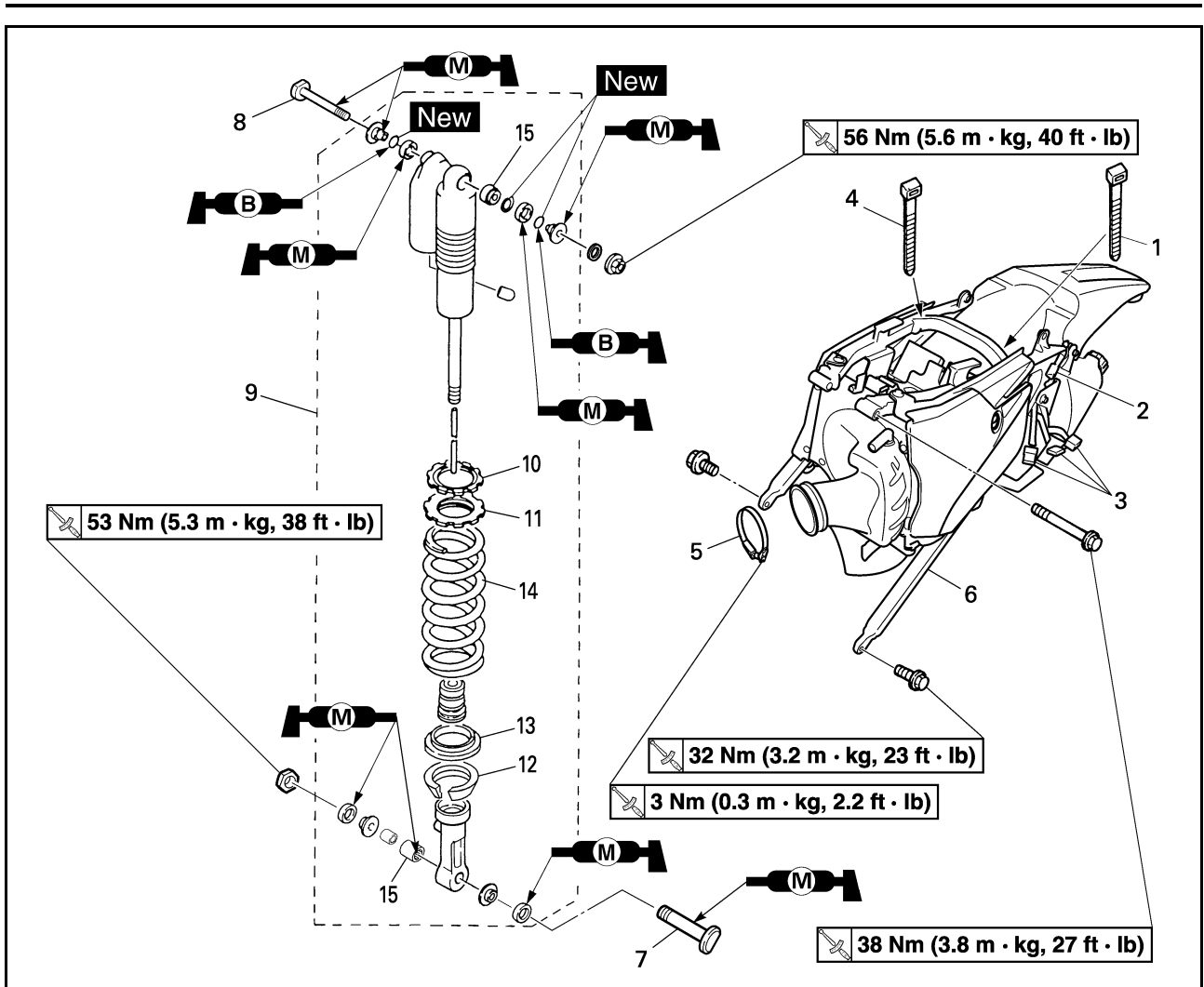
Order	Part name	Q'ty	Remarks
	Hold the machine by placing the suitable stand under the engine.		Refer to "HANDLING NOTE".
	Seat and side cover		Refer to "REMOVING THE SEAT, FUEL TANK AND SIDE COVERS" section in the CHAPTER 3.
	Silencer		Refer to "REMOVING THE EXHAUST PIPE AND SILENCER" section in the CHAPTER 3.
	Drain the coolant.		Refer to "CHANGING THE COOLANT" section in the CHAPTER 3.
	Catch tank breather hose		Disconnect at the catch tank side.
	Catch tank hose		Disconnect at the catch tank side.
	Air induction hose (air cut-off valve-air filter case)		Disconnect at the air filter case side.
	Cylinder head breather hose		Disconnect at the air filter case side.

REAR SHOCK ABSORBER



Order	Part name	Q'ty	Remarks
	Battery		Refer to "CHECKING AND CHARGING THE BATTERY" section in the CHAPTER 3.
	Disconnect the starter relay coupler.		
	Starter motor lead		Disconnect at the starter relay side.
1	Locking tie	4	
2	Taillight coupler	1	
3	CDI unit coupler	3	
4	Plastic band	1	
5	Clamp (air filter joint)	1	Only loosening.
6	Rear frame	1	
7	Bolt (rear shock absorber-relay arm)	1	Hold the swingarm.
8	Bolt (rear shock absorber-frame)	1	
9	Rear shock absorber	1	
10	Locknut	1	Only loosening.
11	Adjuster	1	Only loosening.
12	Lower spring guide	1	

REAR SHOCK ABSORBER



Order	Part name	Q'ty	Remarks
13	Upper spring guide	1	
14	Spring (rear shock absorber)	1	
15	Bearing	2	Refer to removal section.

REAR SHOCK ABSORBER

HANDLING NOTE

WARNING

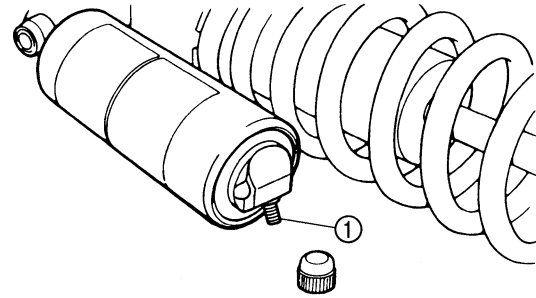
- Support the machine securely so there is no danger of it falling over.
- This rear shock absorber is provided with a separate type tank filled with high-pressure nitrogen gas. To prevent the danger of explosion, read and understand the following information before handling the shock absorber. The manufacturer can not be held responsible for property damage or personal injury that may result from improper handling.
- Never tamper or attempt to disassemble the cylinder or the tank.
- Never throw the rear shock absorber into an open flame or other high heat. The rear shock absorber may explode as a result of nitrogen gas expansion and/ or damage to the hose.
- Be careful not to damage any part of the gas tank. A damaged gas tank will impair the damping performance or cause a malfunction.
- Take care not to scratch the contact surface of the piston rod with the cylinder; or oil could leak out.
- Never attempt to remove the plug at the bottom of the nitrogen gas tank. It is very dangerous to remove the plug.
- When scrapping the rear shock absorber, follow the instructions on disposal.

NOTES ON DISPOSAL (YAMAHA DEALERS ONLY)

Before disposing the rear shock absorber, be sure to extract the nitrogen gas from valve "1". Wear eye protection to prevent eye damage from escaping gas and/or metal chips.

WARNING

To dispose of a damaged or worn-out rear shock absorber, take the unit to your Yamaha dealer for this disposal procedure.

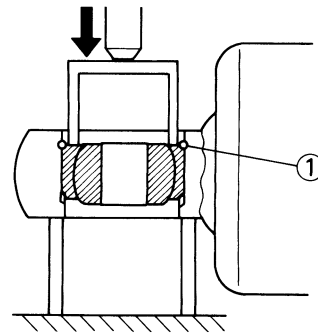


REMOVING THE BEARING

1. Remove:
 - Stopper ring (upper bearing) "1"

TIP

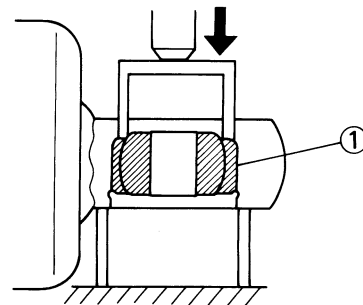
Press in the bearing while pressing its outer race and remove the stopper ring.



2. Remove:
 - Upper bearing "1"

TIP

Remove the bearing by pressing its outer race.

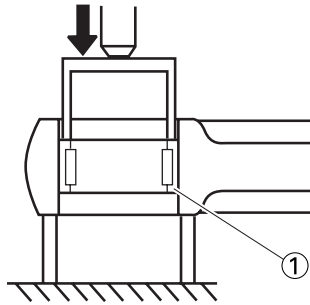


3. Remove:
 - Lower bearing "1"

TIP

Remove the bearing by pressing its outer race.

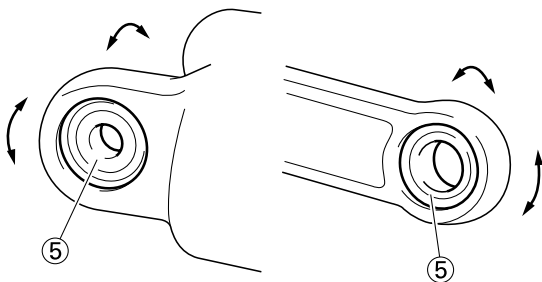
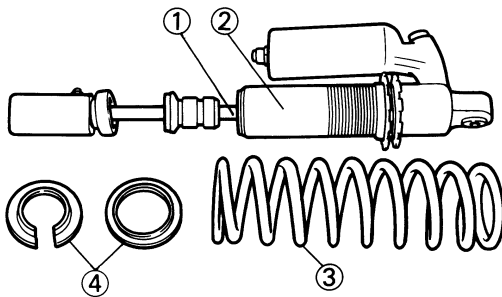
REAR SHOCK ABSORBER



CHECKING THE REAR SHOCK ABSORBER

1. Inspect:

- Damper rod "1"
Bends/damage → Replace rear shock absorber assembly.
- Shock absorber "2"
Oil leaks → Replace rear shock absorber assembly.
Gas leaks → Replace rear shock absorber assembly.
- Spring "3"
Damage → Replace spring.
Fatigue → Replace spring.
Move spring up and down.
- Spring guide "4"
Wear/damage → Replace spring guide.
- Bearing "5"
Free play exists/unsmooth revolution/rust → Replace.



INSTALLING THE BEARING

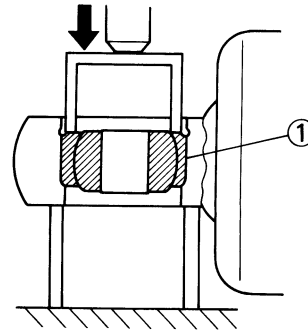
1. Install:
 - Upper bearing "1"

TIP

Install the bearing parallel until the stopper ring groove appears by pressing its outer race.

NOTICE

Do not apply the grease on the bearing outer race because it will wear the rear shock absorber surface on which the bearing is press fitted.

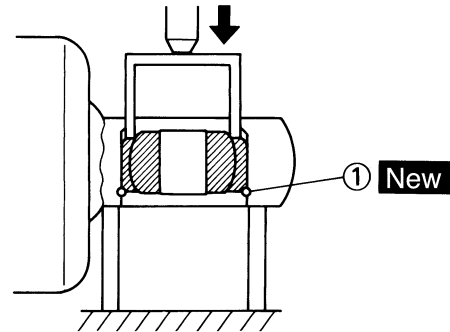


2. Install:

- Stopper ring (upper bearing) "1" **New**

TIP

After installing the stopper ring, push back the bearing until it contacts the stopper ring.



3. Install:

- Lower bearing "1"

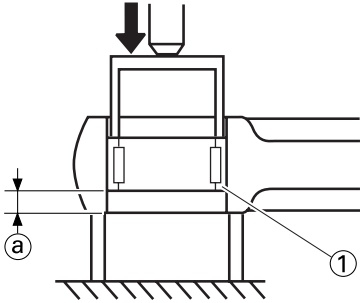
TIP

Install the bearing by pressing it on the side having the manufacture's marks or numbers.



**Installed depth of the bearing "a":
4 mm (0.16 in)**

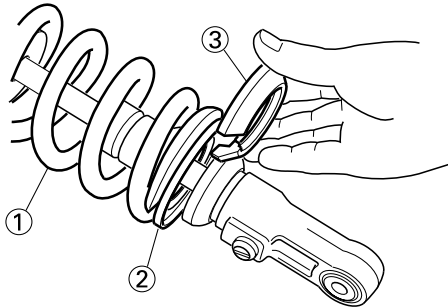
REAR SHOCK ABSORBER



INSTALLING THE SPRING (REAR SHOCK ABSORBER)

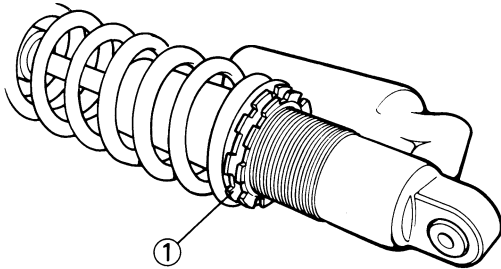
1. Install:

- Spring "1"
- Upper spring guide "2"
- Lower spring guide "3"



2. Tighten:

- Adjuster "1"

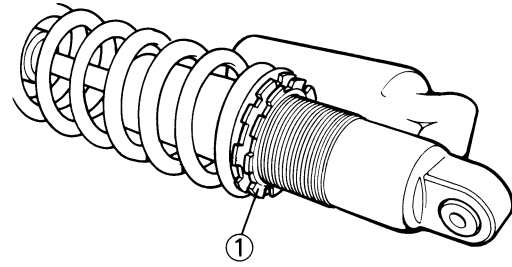


3. Adjust:

- Spring length (installed)
Refer to "ADJUSTING THE REAR SHOCK ABSORBER SPRING PRELOAD" section in the CHAPTER 3.

4. Tighten:

- Locknut "1"



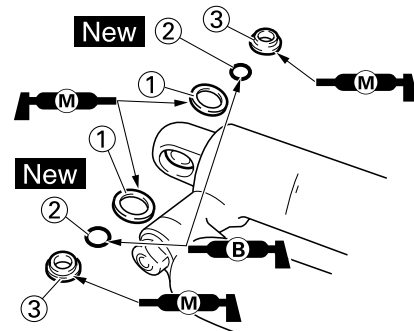
INSTALLING THE REAR SHOCK ABSORBER

1. Install:

- Dust seal "1"
- O-ring "2" **New**
- Collar "3"

TIP

- Apply the molybdenum disulfide grease on the dust seal lips and collars.
- Apply the lithium soap base grease on the O-rings.

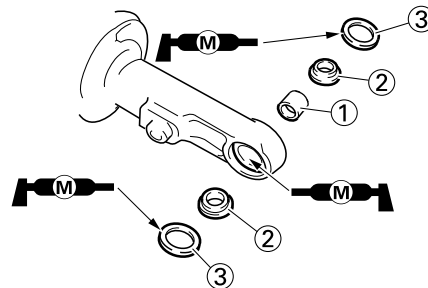


2. Install:

- Bushing "1"
- Collar "2"
- Dust seal "3"

TIP

- Apply the molybdenum disulfide grease on the bearing and dust seal lips.
- Install the dust seals with their lips facing inward.



REAR SHOCK ABSORBER

3. Install:

- Rear shock absorber

4. Install:

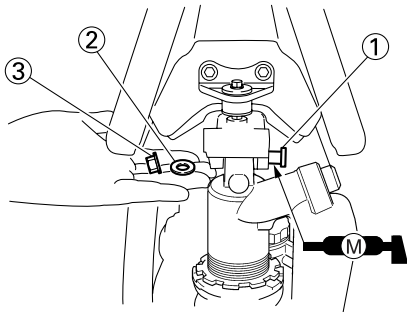
- Bolt (rear shock absorber-frame) "1"
- Washer "2"
- Nut (rear shock absorber-frame) "3"



Nut (rear shock absorber-frame):
56 Nm (5.6 m•kg, 40 ft•lb)

TIP

Apply the molybdenum disulfide grease on the bolt.



5. Install:

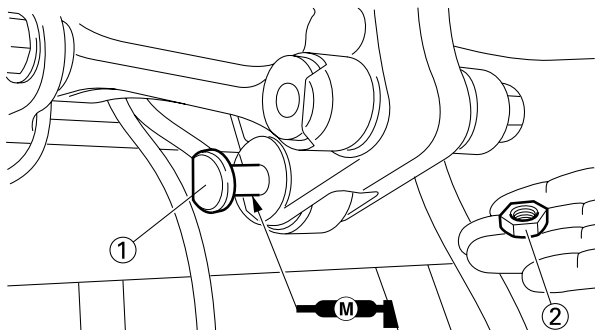
- Bolt (rear shock absorber-relay arm) "1"
- Nut (rear shock absorber-relay arm) "2"



Nut (rear shock absorber-relay arm):
53 Nm (5.3 m•kg, 38 ft•lb)

TIP

Apply the molybdenum disulfide grease on the bolt.



6. Install:

- Rear frame "1"
- Bolt [rear frame (upper)] "2"

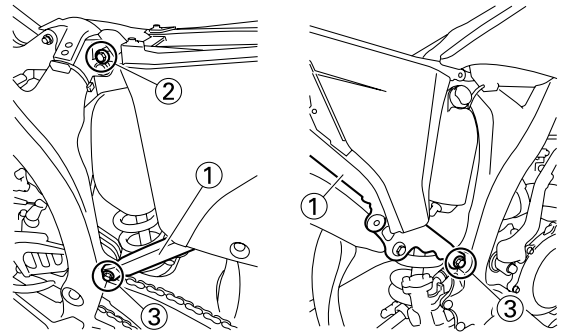


Bolt [rear frame (upper)]:
38 Nm (3.8 m•kg, 27 ft•lb)

- Bolt [rear frame (lower)] "3"



Bolt [rear frame (lower)]:
32 Nm (3.2 m•kg, 23 ft•lb)

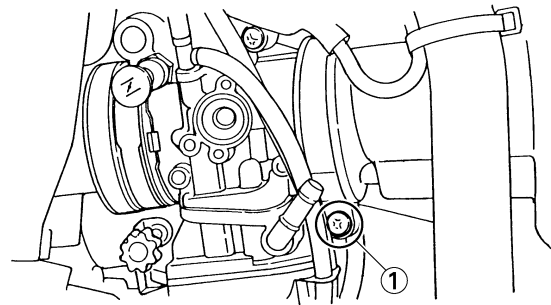


7. Tighten:

- Screw (air filter joint) "1"



Screw (air filter joint):
3 Nm (0.3 m•kg, 2.2 ft•lb)



8. Install:

- Plastic band
- Taillight coupler
- Locking tie

ELECTRICAL COMPONENTS AND WIRING DIAGRAM

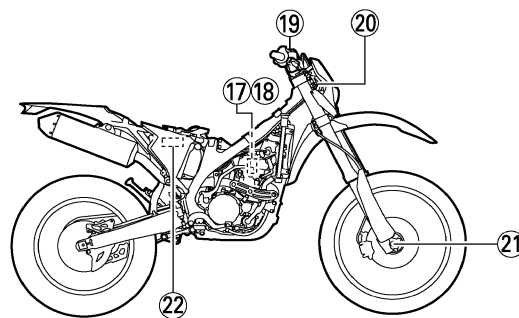
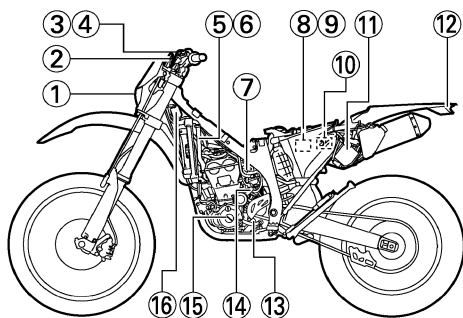
ELECTRICAL

TIP

This section is intended for those who have basic knowledge and skill concerning the servicing of Yamaha motorcycles (e.g., Yamaha dealers, service engineers, etc.) Those who have little knowledge and skill concerning servicing are requested not to undertake inspection, adjustment, disassembly, or reassembly only by reference to this manual. It may lead to servicing trouble and mechanical damage.

ELECTRICAL COMPONENTS AND WIRING DIAGRAM

ELECTRICAL COMPONENTS

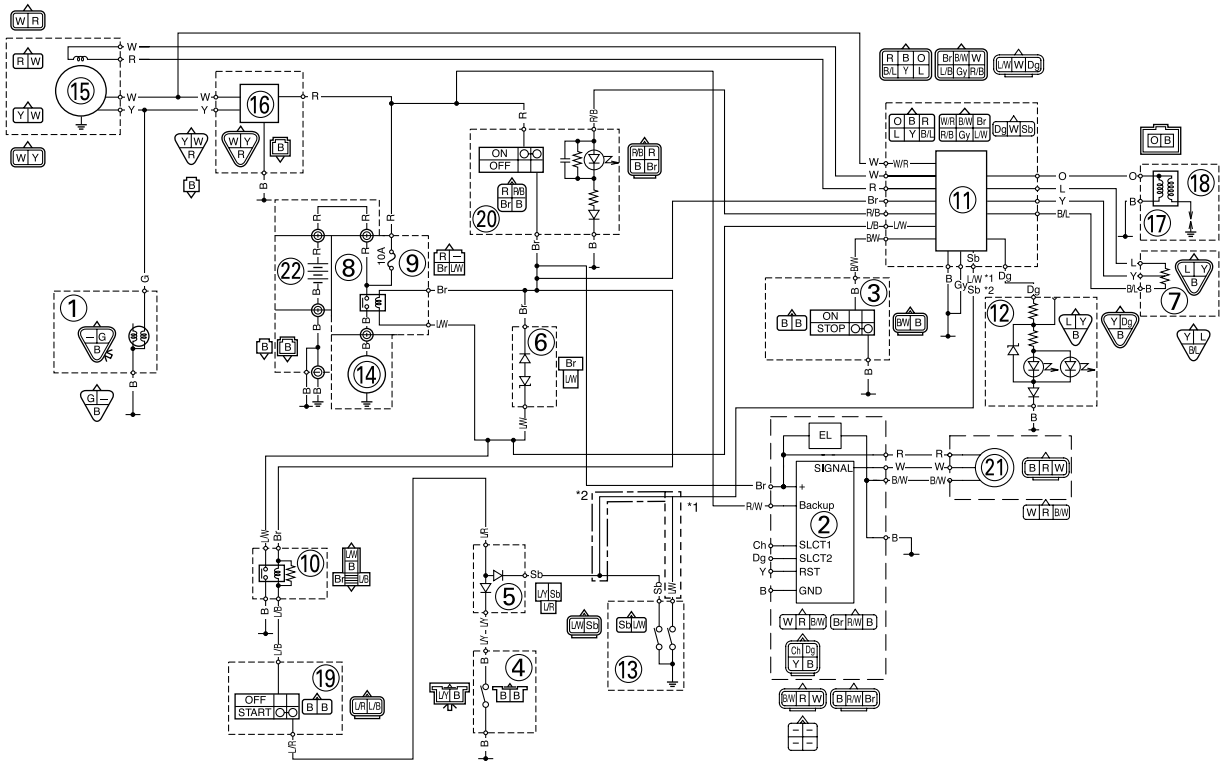


1. Headlight
2. Multi-function display
3. Engine stop switch
4. Clutch switch
5. Diode
6. Starter relay diode
7. Throttle position sensor
8. Starter relay
9. Fuse
10. Starting circuit cut-off relay
11. CDI unit

12. Taillight
13. Neutral switch
14. Starter motor
15. AC magneto
16. Rectifier/regulator
17. Ignition coil
18. Spark plug
19. Start switch
20. Main switch
21. Speed sensor
22. Battery

ELECTRICAL COMPONENTS AND WIRING DIAGRAM

WIRING DIAGRAM



1. Headlight
2. Multi-function display
3. Engine stop switch
4. Clutch switch
5. Diode
6. Starter relay diode
7. Throttle position sensor
8. Starter relay
9. Fuse
10. Starting circuit cut-off relay
11. CDI unit
12. Taillight
13. Neutral switch
14. Starter motor
15. AC magneto
16. Rectifier/regulator
17. Ignition coil
18. Spark plug
19. Start switch
20. Main switch
21. Speed sensor
22. Battery

COLOR CODE

B	Black
Br	Brown
Ch	Chocolate
Dg	Dark green
G	Green
Gy	Gray
L	Blue
O	Orange
R	Red
Sb	Sky blue
W	White
Y	Yellow
B/L	Black/Blue
B/W	Black/White
L/B	Blue/Black
L/R	Blue/Red
L/Y	Blue/Yellow
L/W	Blue/White
R/B	Red/Black
R/W	Red/White

*1:For USA, CDN and EUROPE

*2:For AUS, NZ and ZA

IGNITION SYSTEM

INSPECTION STEPS

Use the following steps for checking the possibility of the malfunctioning engine being attributable to ignition system failure and for checking the spark plug which will not spark.

*1 Check fuse.	No good →	Replace fuse and check wire harness.
OK ↓		
*2 Check battery.	No good →	Recharge or replace.
OK ↓		
Spark gap test	Spark →	*3 Clean or replace spark plug.
No spark ↓		
Check entire ignition system for connection. (couplers, leads and ignition coil)	No good →	Repair or replace.
OK ↓		
Check engine stop switch.	No good →	Replace.
OK ↓		
Check main switch.	No good →	Replace.
OK ↓		
Check ignition coil. (primary coil and secondary coil)	No good →	Replace.
OK ↓		
Check AC magneto. (pickup coil)	No good →	Replace.
OK ↓		
Check neutral switch.	No good →	Repair or replace.
OK ↓		
Replace CDI unit.		


***1 marked: Refer to "CHECKING THE FUSE" section in the CHAPTER 3.**

***2 marked: Refer to "CHECKING AND CHARGING THE BATTERY" section in the CHAPTER 3.**

***3 marked: Only when the ignition checker is used.**

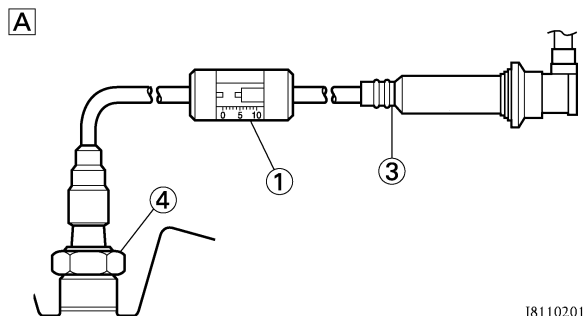
TIP

- Remove the following parts before inspection.
 1. Seat
 2. Fuel tank
- Use the following special tools in this inspection.

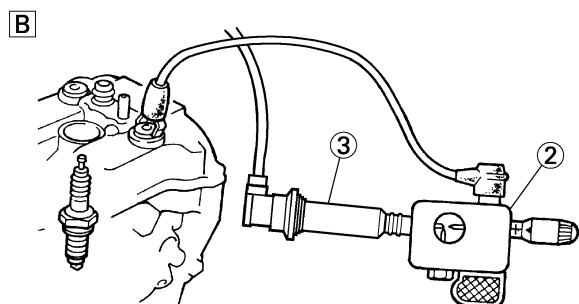
	<p>Dynamic spark tester: YM-34487</p> <p>Ignition checker: 90890-06754</p> <p>Pocket tester: YU-3112-C/90890-03112</p>
---	---

SPARK GAP TEST

1. Disconnect the ignition coil from spark plug.
2. Remove the ignition coil cap.
3. Connect the dynamic spark tester "1" (ignition checker "2") as shown.
 - Ignition coil "3"
 - Spark plug "4"



I8110201



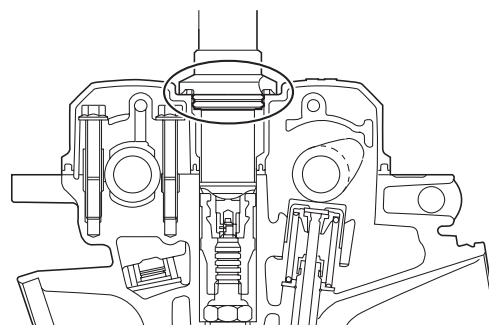
- A. For USA and CDN
 - B. Except for USA and CDN
4. Kick the kickstarter crank.
 5. Check the ignition spark gap.
 6. Start engine, and increase spark gap until misfire occurs. (for USA and CDN only)



Minimum spark gap:
6.0 mm (0.24 in)

CHECKING THE COUPLERS, LEADS AND IGNITION COIL CONNECTION

1. Check:
 - Couplers and leads connection
Rust/dust/looseness/short-circuit → Repair or replace.
 - Ignition coil and spark plug as they are fitted
Push in the ignition coil until it closely contacts the spark plug hole in the cylinder head cover.



CHECKING THE ENGINE STOP SWITCH

1. Inspect:
 - Engine stop switch conduction

Tester (+) lead → Black lead "1"
Tester (-) lead → Black lead "2"



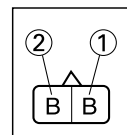
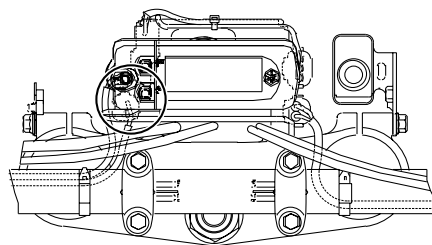
Result

Conductive (while the engine stop switch is pushed)

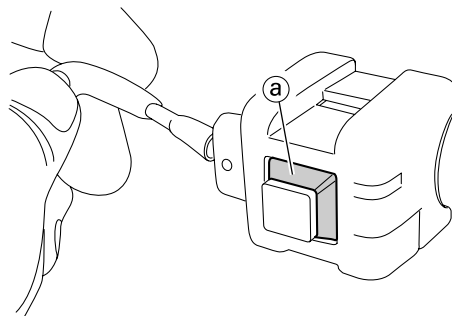
Not conductive while it is pushed → Replace.
Conductive while it is freed → Replace.

TIP

Set the tester selection position to " $\Omega \times 1$ ".



2. Inspect:
 - Rubber part "a"
Tears/damage → Replace.



CHECKING THE MAIN SWITCH

1. Inspect:

- Main switch conduction

Tester (+) lead → Red lead "1"
Tester (-) lead → Brown lead "2"



Result

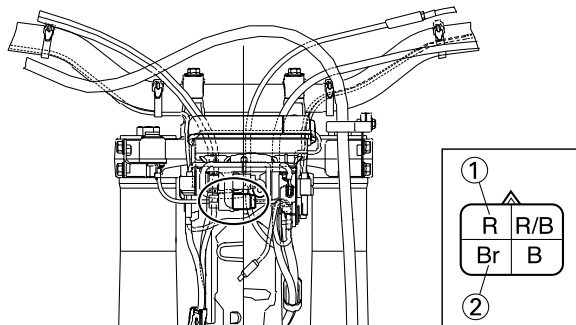
Conductive (while the main switch is moved to "ON")

Not conductive while the main switch is moved to "ON" → Replace.

Conductive while the main switch is moved to "OFF" → Replace.

TIP

Set the tester selection position to " $\Omega \times 1$ ".

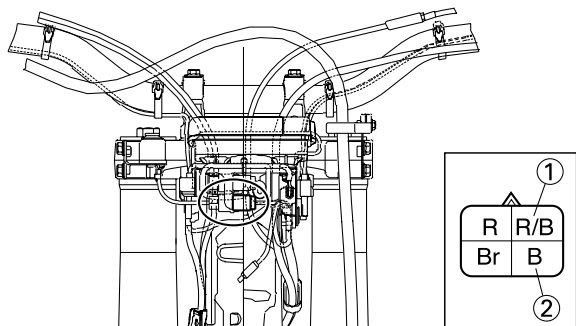


2. Inspect:

- Main switch indicator light
Use 12 V battery.

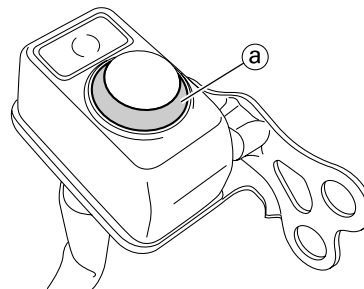
Battery (+) lead → Red/Black lead "1"
Battery (-) lead → Black lead "2"

Indicator light does not come on → Replace.



3. Inspect:

- Rubber part "a"
Tears/damage → Replace.



CHECKING THE IGNITION COIL

1. Remove the ignition coil cap.

2. Inspect:

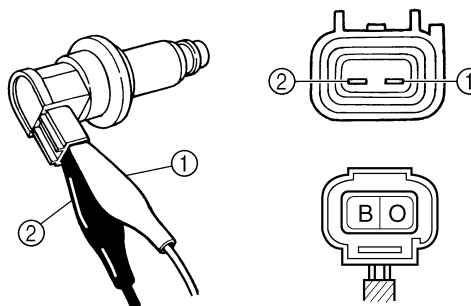
- Primary coil resistance
Out of specification → Replace.

Tester (+) lead → Orange lead "1"
Tester (-) lead → Black lead "2"



Primary coil resistance
0.08–0.10 Ω at 20 °C (68 °F)

Tester selector position
 $\Omega \times 1$



3. Inspect:

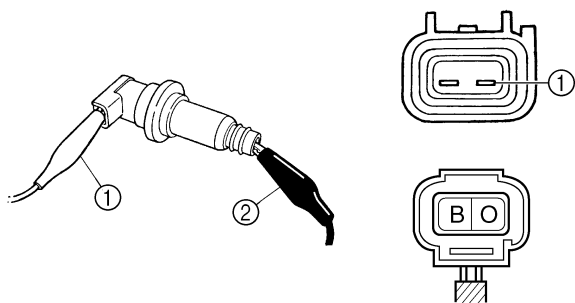
- Secondary coil resistance
Out of specification → Replace.

Tester (+) lead → Orange lead "1"
Tester (-) lead → Spark plug terminal "2"



Secondary coil resistance
4.6–6.8 k Ω at 20 °C (68 °F)

Tester selector position
k $\Omega \times 1$



CHECKING THE NEUTRAL SWITCH

- Inspect:
 - Neutral switch conduction

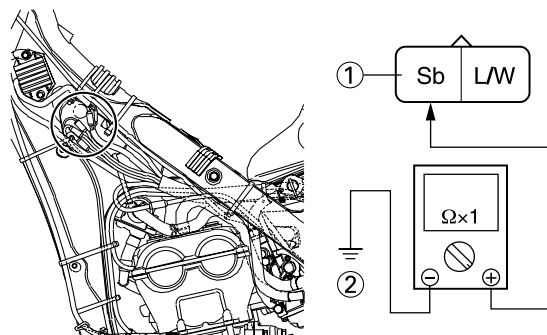
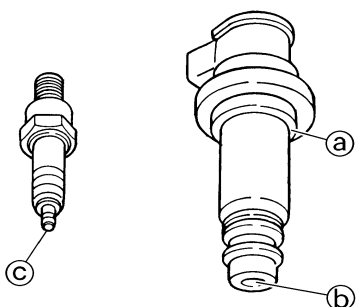
Tester (+) lead → Sky blue lead "1"
Tester (-) lead → Ground "2"

	Result Conductive (while gear is in neutral)
--	--

Not conductive while it is in neutral → Replace.
 Conductive while it is engaged → Replace.

TIP
 Set the tester selection position to " $\Omega \times 1$ ".

- Inspect:
 - Sealed portion of ignition coil "a"
 - Spark plug terminal pin "b"
 - Threaded portion of spark plug "c"
 Wear → Replace.

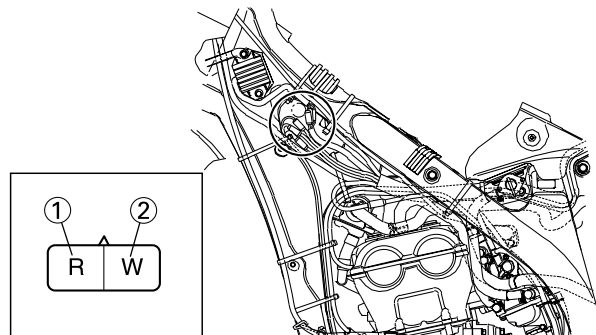


CHECKING THE AC MAGNETO

- Inspect:
 - Pickup coil resistance
 Out of specification → Replace.

Tester (+) lead → Red lead "1"
Tester (-) lead → White lead "2"

	Pickup coil resistance	Tester selector position
	248–372 Ω at 20 °C (68 °F)	$\Omega \times 100$



CHECKING THE CDI UNIT

Check all electrical components. If no fault is found, replace the CDI unit. Then check the electrical components again.

ELECTRIC STARTING SYSTEM

STARTING CIRCUIT CUT-OFF SYSTEM OPERATION

If the main switch is set to "ON", the starter motor can only operate if at least one of the following conditions is met:

- The transmission is in neutral (the neutral switch is closed).
- The clutch lever is pulled to the handlebar (the clutch switch is closed).

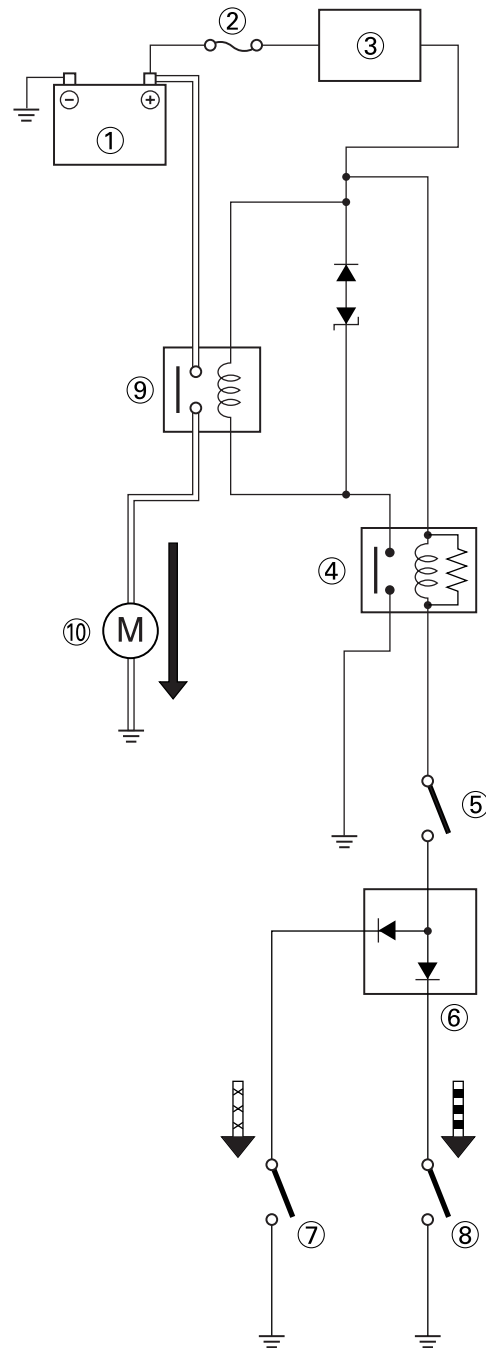
The starting circuit cut-off relay prevents the starter motor from operating when neither of these conditions has been met. In this instance, the starting circuit cut-off relay is open so current cannot reach the starter motor. When at least one of the above conditions has been met the starting circuit cut-off relay is closed and the engine can be started by pressing the start switch.



WHEN THE TRANSMISSION IS IN NEUTRAL



WHEN THE CLUTCH LEVER IS PULLED TO THE HANDLEBAR



1. Battery
2. Main fuse
3. Main switch
4. Starting circuit cut-off relay
5. Start switch
6. Diode
7. Clutch switch
8. Neutral switch
9. Starter relay
10. Starter motor

ELECTRIC STARTING SYSTEM

INSPECTION STEPS

If the starter motor will not operate, use the following inspection steps.

*1 Check fuse.	No good →	Replace fuse and check wire harness.
OK ↓		
*2 Check battery.	No good →	Recharge or replace.
OK ↓		
Check each coupler and wire connection.	No good →	Repair or replace.
OK ↓		
*3 Check main switch.	No good →	Replace.
OK ↓		
Check starter motor operation.	No good →	Repair or replace.
OK ↓		
Check starting circuit cut-off relay.	No good →	Replace.
OK ↓		
Check starter relay.	No good →	Replace.
OK ↓		
*4 Check neutral switch.	No good →	Replace.
OK ↓		
Check clutch switch.	No good →	Replace.
OK ↓		
Check diode.	No good →	Replace.
OK ↓		
Check start switch.	No good →	Replace.

***1 marked: Refer to "CHECKING THE FUSE" section in the CHAPTER 3.**

***2 marked: Refer to "CHECKING AND CHARGING THE BATTERY" section in the CHAPTER 3.**

***3 marked: Refer to "CHECKING THE MAIN SWITCH" section.**

***4 marked: Refer to "CHECKING THE NEUTRAL SWITCH" section.**

TIP

- Remove the following parts before inspection.
 1. Seat
 2. Rear fender
- Use 12 V battery in this inspection.
- Use the following special tools in this inspection.



**Pocket tester:
YU-3112-C/90890-03112**

CHECKING THE COUPLERS AND LEADS CONNECTION

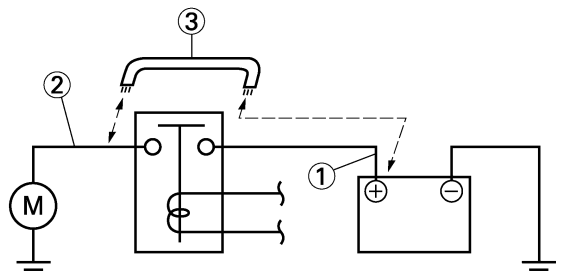
- Check:
 - Couplers and leads connection
Rust/dust/looseness/short-circuit → Repair or replace.

CHECKING THE STARTER MOTOR OPERATION

- Connect the positive battery terminal "1" and starter motor lead "2" with a jumper lead "3".
Not operate → Repair or replace the starter motor.

⚠ WARNING

- A wire that is used as a jumper lead must have at least the same capacity or more as that of the battery lead, otherwise the jumper lead may burn.
- This check is likely to produce sparks, therefore make sure nothing flammable is in the vicinity.



CHECKING THE STARTING CIRCUIT CUT-OFF RELAY

- Remove:
 - Starting circuit cut-off relay
- Inspect:
 - Starting circuit cut-off relay conduction
Use 12 V battery.

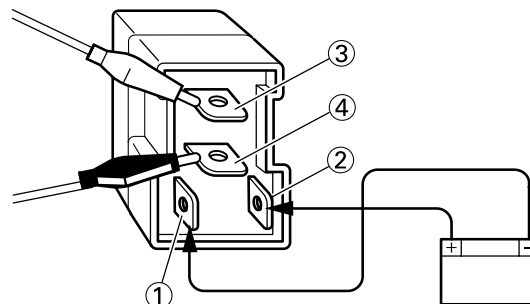
Battery (+) lead → Blue/Black lead "1"
Battery (-) lead → Brown lead "2"

Tester (+) lead → Blue/White lead "3"
Tester (-) lead → Black lead "4"

Result
Conductive (while the battery is connected)

Not conductive while the battery is connected → Replace.
Conductive while the battery is not connected → Replace.

TIP
Set the tester selection position to " $\Omega \times 1$ ".



CHECKING THE STARTER RELAY

- Remove:
 - Starter relay
- Inspect:
 - Starter relay conduction
Use 12 V battery.

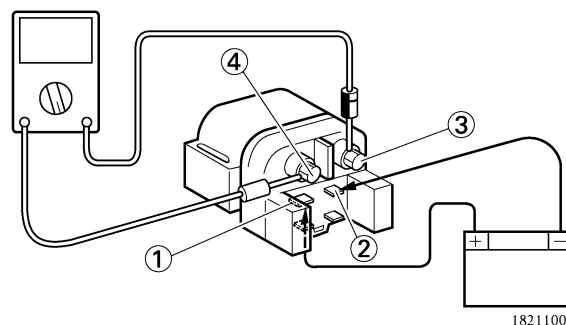
Battery (+) lead → Starter relay terminal "1"
Battery (-) lead → Starter relay terminal "2"

Tester (+) lead → Starter relay terminal "3"
Tester (-) lead → Starter relay terminal "4"

Result
Conductive (while the battery is connected)

Not conductive while the battery is connected → Replace.
Conductive while the battery is not connected → Replace.

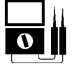
TIP
Set the tester selection position to " $\Omega \times 1$ ".



CHECKING THE CLUTCH SWITCH

- Inspect:
 - Clutch switch conduction

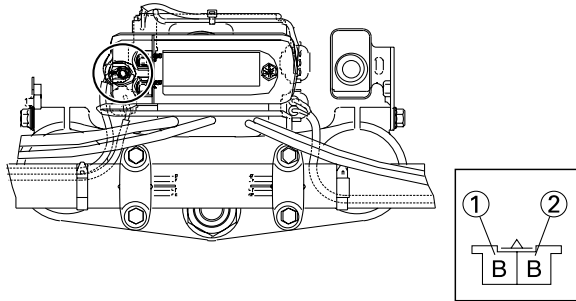
Tester (+) lead → Black lead "1"
Tester (-) lead → Black lead "2"

	Result Conductive (while the clutch lever is pulled)
---	---

Not conductive while it is pulled → Replace.
 Conductive while it is freed → Replace.

TIP

Set the tester selection position to " $\Omega \times 1$ ".

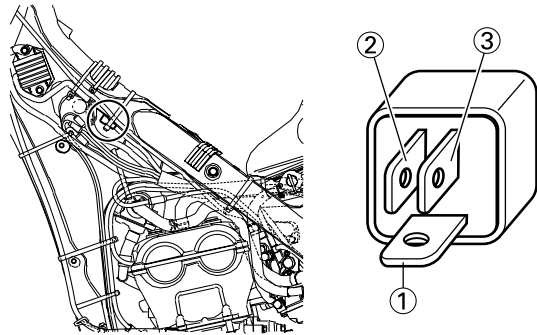


CHECKING THE DIODE

- Remove the diode from wire harness.
- Inspect:
 - Diode continuity
 Use pocket tester (tester selection position $\Omega \times 1$)

Tester (+) → Blue/Red terminal "1" Tester (-) → Sky blue terminal "2"	Continuous
Tester (+) → Blue/Red terminal "1" Tester (-) → Blue/Yellow terminal "3"	Continuous
Tester (+) → Sky blue terminal "2" Tester (-) → Blue/Red terminal "1"	No continuous
Tester (+) → Blue/Yellow terminal "3" Tester (-) → Blue/Red terminal "1"	No continuous


Incorrect continuity → Replace.



CHECKING THE START SWITCH

- Inspect:
 - Start switch conduction

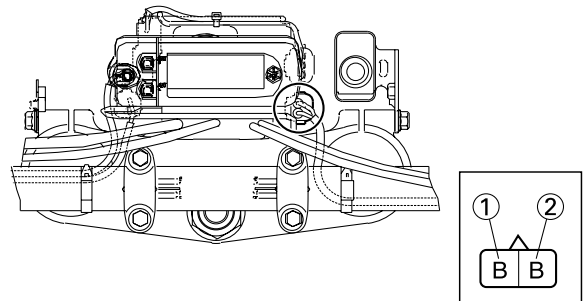
Tester (+) lead → Black lead "1" Tester (-) lead → Black lead "2"
--

	Result Conductive (while the start switch is pushed)
---	---

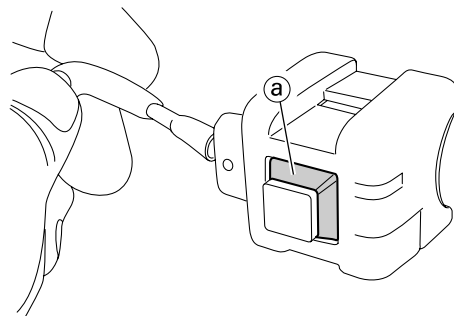
Not conductive while it is pushed → Replace.
 Conductive while it is freed → Replace.

TIP

Set the tester selection position to " $\Omega \times 1$ ".



- Inspect:
 - Rubber part "a"
 Tears/damage → Replace.



ELECTRIC STARTING SYSTEM

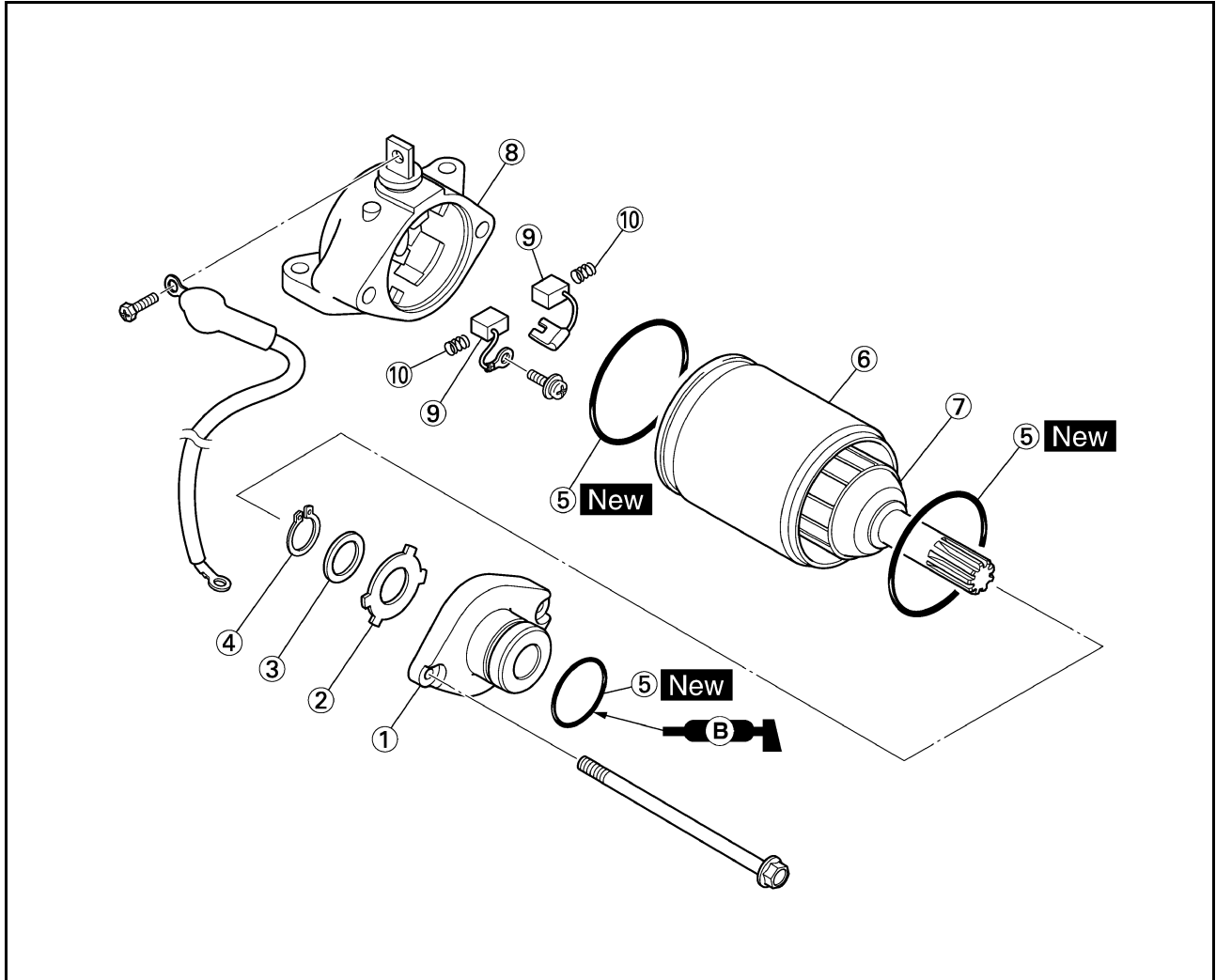
REMOVING THE STARTER MOTOR



Order	Part name	Q'ty	Remarks
	Exhaust pipe		Refer to "EXHAUST PIPE AND SILENCER" section in the CHAPTER 3.
1	Starter motor	1	

ELECTRIC STARTING SYSTEM

DISASSEMBLING THE STARTER MOTOR



Order	Part name	Q'ty	Remarks
1	Starter motor front cover	1	
2	Washer (starter motor front cover)	1	
3	Washer	1	
4	Circlip	1	
5	O-ring	1	
6	Starter motor yoke	1	
7	Armature assembly	1	
8	Starter motor rear cover	1	
9	Brush	2	
10	Brush spring	2	


CHECKING AND REPAIRING THE STARTER MOTOR

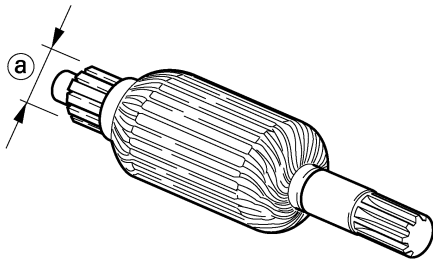
1. Check:

- Commutator
Dirt → Clean with 600 grit sandpaper.

2. Measure:

- Commutator diameter "a"
Out of specification → Replace the starter motor.


	Min. commutator diameter: 16.6 mm (0.65 in)
---	--



18210101

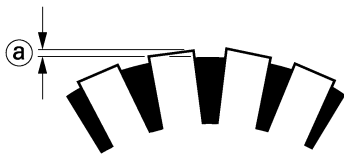
3. Measure:

- Mica undercut "a"
Out of specification → Scrape the mica to the proper measurement with a hacksaw blade which has been grounded to fit the commutator.

	Mica undercut: 1.5 mm (0.06 in)
---	--

TIP

The mica must be undercut to ensure proper operation of the commutator.




18210901


4. Measure:

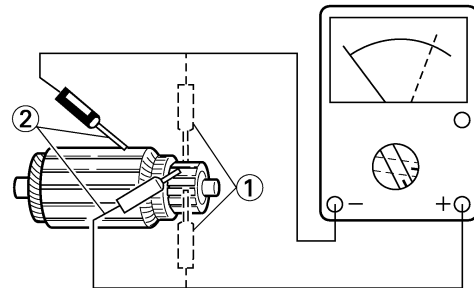
- Armature assembly resistances (commutator and insulation)
Out of specification → Replace the starter motor.



- a. Measure the armature assembly resistances with the pocket tester.

	Pocket tester: YU-3112-C/90890-03112
---	---

	Armature assembly: Commutator resistance "1": 0.0117–0.0143 Ω at 20 °C (68 °F) Insulation resistance "2": Above 1 MΩ at 20 °C (68 °F)
---	--




18210201

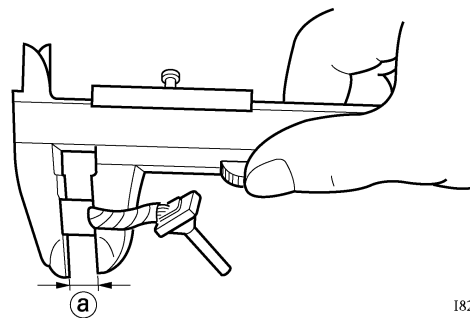
- b. If any resistance is out of specification, replace the starter motor.



5. Measure:

- Brush length "a"
Out of specification → Replace the brushes as a set.


	Min. brush length: 3.5 mm (0.14 in)
---	--

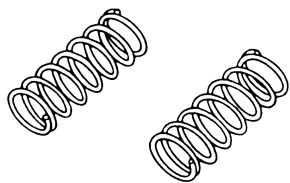


18210401

6. Measure:

- Brush spring force
Out of specification → Replace the brush springs as a set.

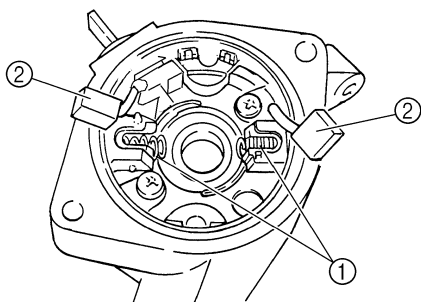
	Brush spring force: 3.92–5.88 N (400–600 gf, 14.1–21.2 oz)
---	---



ASSEMBLING THE STARTER MOTOR

1. Install:

- Brush spring "1"
- Brush "2"

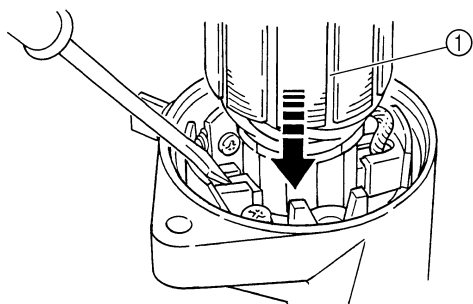


2. Install:

- Armature assembly "1"
Install while holding down the brush using a thin screw driver.

NOTICE

Be careful not to damage the brush during installation.

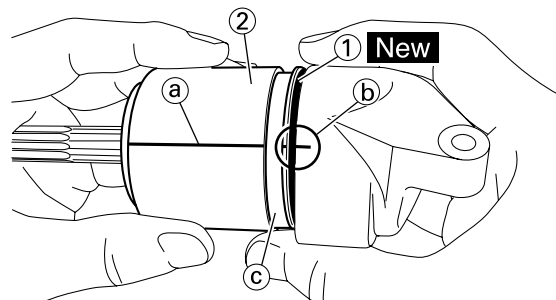


3. Install:

- O-ring "1" **New**
- Starter motor yoke "2"

TIP

- Align the match mark "a" on the starter motor yoke with the match mark "b" on the starter motor rear cover.
- Install the starter motor yoke with its groove "c" facing rear cover.

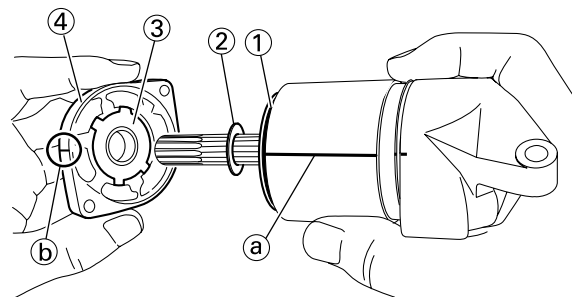


4. Install:

- O-ring "1" **New**
- Circlip
- Plain washer "2"
- Washer (starter motor front cover) "3"
- Starter motor front cover "4"

TIP

- For installation, align the projections on the washer with the slots in the front cover.
- Align the match mark "a" on the starter motor yoke with the match mark "b" on the starter motor front cover.

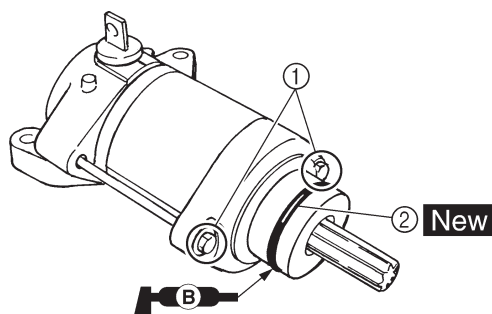


5. Install:

- Bolt "1"
- O-ring "2" **New**

TIP

Apply the lithium soap base grease on the O-ring.



CHARGING SYSTEM

INSPECTION STEPS

If the battery is not charged, use the following inspection steps.

*1 Check fuse.	No good →	Replace fuse and check wire harness.
OK ↓		
*2 Check battery.	No good →	Recharge or replace.
OK ↓		
Check each coupler and wire connection.	No good →	Repair or replace.
OK ↓		
Check charging voltage.	OK →	Charging system is good.
No good ↓		
Check AC magneto. (Charging coil)	No good →	Replace.
OK ↓		
Replace rectifier/regulator.		

***1 marked: Refer to "CHECKING THE FUSE" section in the CHAPTER 3.**

***2 marked: Refer to "CHECKING AND CHARGING THE BATTERY" section in the CHAPTER 3.**

TIP

- Remove the following parts before inspection.
 1. Seat
 2. Fuel tank
- Use the following special tools in this inspection.



Pocket tester:
YU-3112-C/90890-03112


CHECKING THE COUPLERS AND LEADS CONNECTION

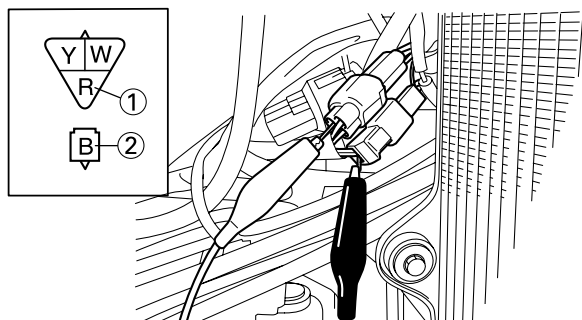
1. Check:
 - Couplers and leads connection
Rust/dust/looseness/short-circuit → Repair or replace.

CHECKING THE CHARGING VOLTAGE

1. Start the engine.
2. Inspect:
 - Charging voltage
Out of specification → If no failure is found in checking the source coil resistance, replace the rectifier/regulator.


Tester (+) lead → Red lead "1"
Tester (-) lead → Black lead "2"

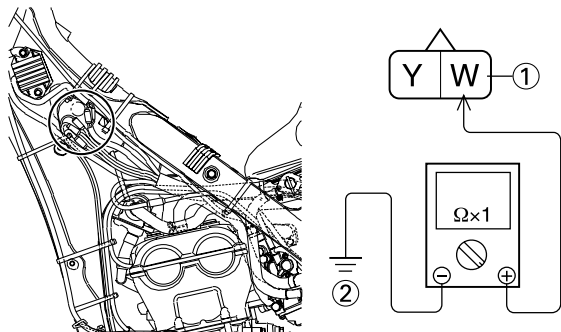
	Charging voltage	Tester selector position
	14.0–15.0 V at 5,000 r/min	DCV-20



3. Inspect:
 - Charging coil resistance
Out of specification → Replace.

Tester (+) lead → White lead "1"
Tester (-) lead → Ground "2"

	Charging coil resistance	Tester selector position
	0.288–0.432 Ω at 20 °C (68 °F)	$\Omega \times 1$



THROTTLE POSITION SENSOR SYSTEM

THROTTLE POSITION SENSOR SYSTEM

INSPECTION STEPS

If the throttle position sensor will not operate, use the following inspection steps.

Check entire ignition system for connection.	No good →	Repair or replace.
--	-----------	--------------------

OK ↓

Check throttle position sensor. (Throttle position sensor coil)	No good →	Replace.
---	-----------	----------

OK ↓

Check CDI unit. (Throttle position sensor input voltage)	No good →	Replace.
--	-----------	----------

TIP

Use the following special tools in this inspection.



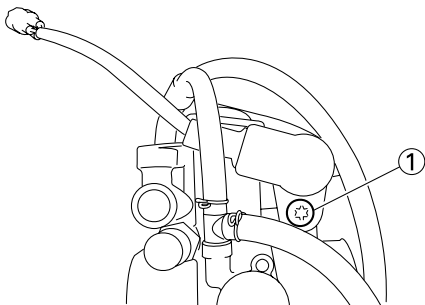
Pocket tester:
YU-3112-C/90890-03112

THROTTLE POSITION SENSOR SYSTEM

HANDLING NOTE

NOTICE

Do not loosen the screw (throttle position sensor) "1" except when changing the throttle position sensor due to failure because it will cause a drop in engine performance.



CHECKING THE COUPLERS AND LEADS CONNECTION

1. Check:


- Couplers and leads connection
Rust/dust/looseness/short-circuit → Repair or replace.

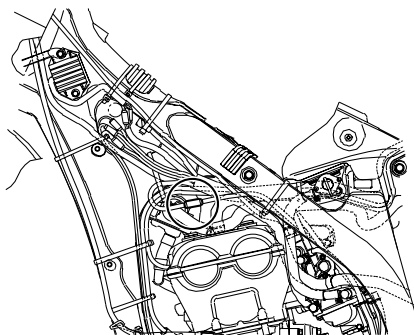
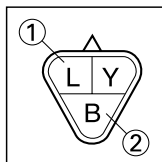
CHECKING THE THROTTLE POSITION SENSOR COIL

1. Inspect:

- Throttle position sensor coil resistance
Out of specification → Replace.

Tester (+) lead → Blue lead "1"
Tester (-) lead → Black lead "2"

	Throttle position sensor coil resistance	Tester selector position
	4–6 kΩ at 20°C (68 °F)	kΩ x1

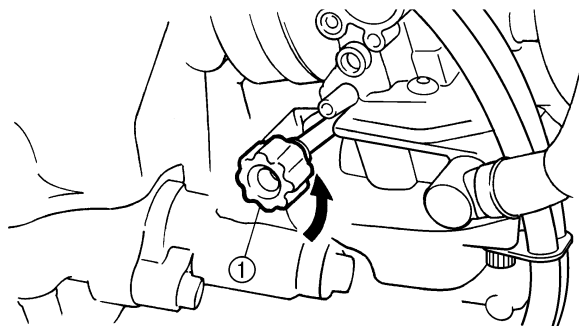


2. Loosen:

- Throttle stop screw "1"

TIP

Turn out the throttle stop screw until the throttle shaft is in the full close position.



3. Inspect:


- Throttle position sensor coil variable resistance

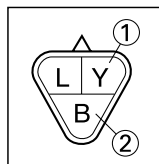
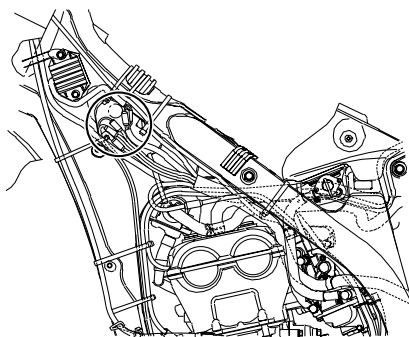
Check that the resistance is increased as the throttle grip is moved from the full close position to the full open position.

Out of specification → Replace.

Tester (+) lead → Yellow lead "1"

Tester (-) lead → Black lead "2"

	Throttle position sensor coil variable resistance	Tester selector position
	Full closed	Full opened
	Zero –2 kΩ at 20°C (68 °F)	4–6 kΩ at 20 °C (68 °F)
	kΩ x1	



CHANGING AND ADJUSTING THE THROTTLE POSITION SENSOR

1. Remove:

- Throttle position sensor coupler
- Carburetor

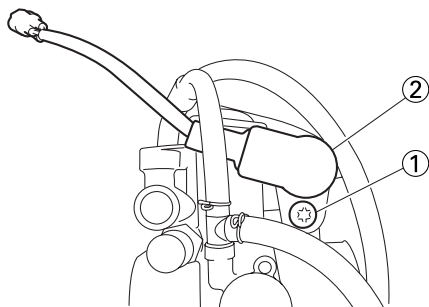
2. Remove:

- Screw (throttle position sensor) "1"
- Throttle position sensor "2"

THROTTLE POSITION SENSOR SYSTEM

TIP

Loosen the screw (throttle position sensor) using the T25 bit.



3. Replace:

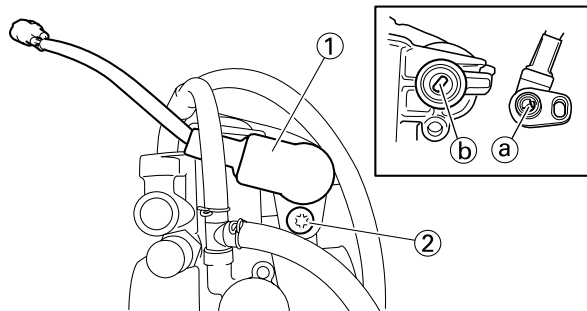
- Throttle position sensor

4. Install:

- Throttle position sensor "1"
- Screw (throttle position sensor) "2"

TIP

- Align the slot "a" in the throttle position sensor with the projection "b" on the carburetor.
- Temporarily tighten the screw (throttle position sensor).



5. Install:

- Carburetor
- Throttle position sensor coupler

6. Adjust:

- Engine idling speed

Refer to "ADJUSTING THE ENGINE IDLING SPEED" section in the CHAPTER 3.

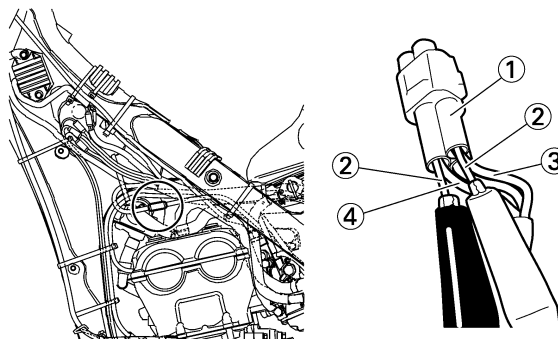
- 7. Insert the thin electric conductors "2" (lead) into the throttle position sensor coupler "1", as shown, and connect the tester to them.

Tester (+) lead → Yellow lead "3"
Tester (-) lead → Black lead "4"

NOTICE

- Do not insert the electric conductors more than required because it may reduce the waterproof function of the coupler.

- Make sure that a short-circuit does not develop between the terminals because it may cause damage to electrical components.



8. Start the engine.

9. Adjust:


- Throttle position sensor output voltage

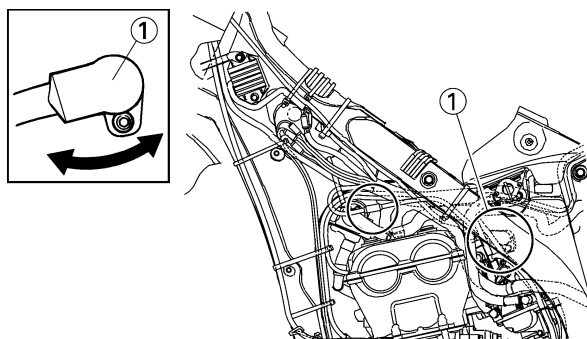
Adjustment steps:

- a. Adjust the installation angle of the throttle position sensor "1" to obtain the specified output voltage.

TIP

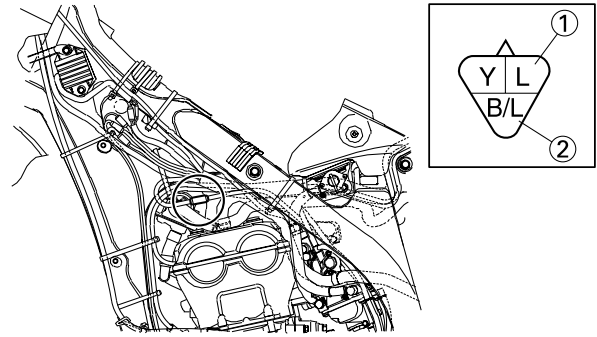
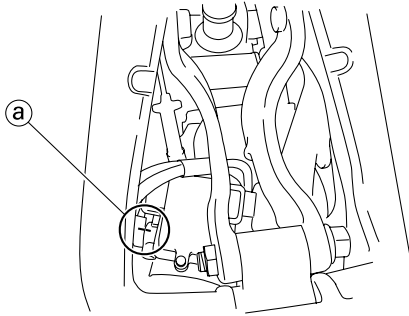
Measure the output voltage accurately with a digital electronic voltmeter that gives an easy reading of a small voltage.

	Throttle position sensor output voltage	Tester selector position
	0.58–0.78 V	DCV



THROTTLE POSITION SENSOR SYSTEM

10. Put the aligning marks "a" on the throttle position sensor and carburetor.



11. Stop the engine.

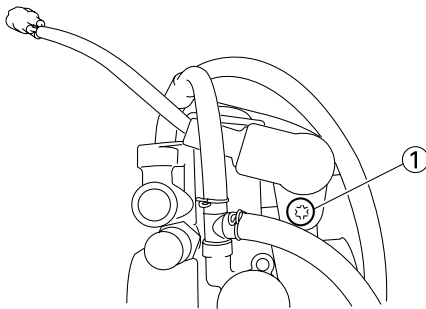
12. Remove the carburetor.

13. Tighten:

- Screw (throttle position sensor) "1"

TIP

Tighten the screw (throttle position sensor) using the T25 bit.



14. Install the carburetor.

CHECKING THE THROTTLE POSITION SENSOR INPUT VOLTAGE

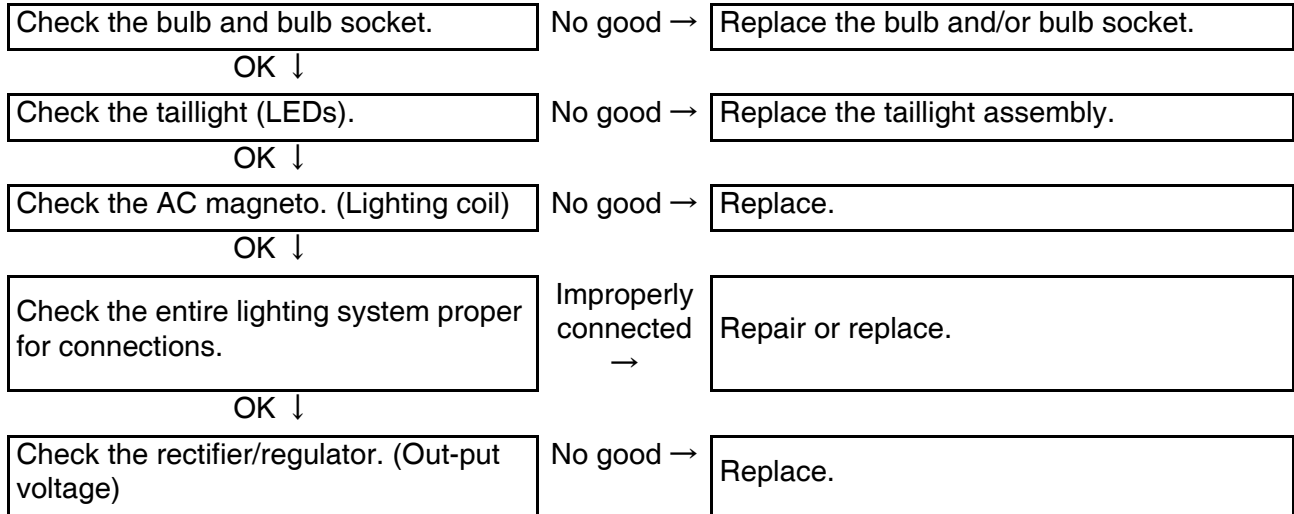
1. Disconnect the throttle position sensor coupler.
2. Start the engine.
3. Inspect:
 - Throttle position sensor input voltage
Out of specification → Replace the CDI unit.

Tester (+) lead → Blue lead "1"		
Tester (-) lead → Black/Blue lead "2"		
	Throttle position sensor input voltage	Tester selector position
	4-6 V	DCV-20

LIGHTING SYSTEM

INSPECTION STEPS

Refer to the following flow chart when inspecting the lighting system for possible problems.



TIP

- Remove the following parts before inspection.
 1. Seat
 2. Fuel tank
 3. Left side cover
- Use the following special tools in this inspection.



Pocket tester:
YU-3112-C/90890-03112

CHECKING THE TAILLIGHT (LEDs)

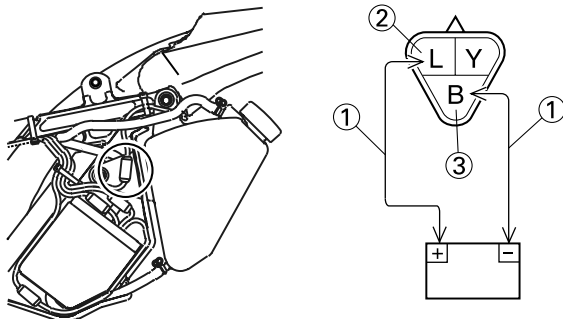
1. Disconnect the taillight coupler.
2. Connect two jumper leads "1" from the battery terminals to the respective coupler terminal as shown.

Battery (+) terminal → Blue lead "2"
Battery (-) terminal → Black lead "3"

3. Check:
 - LED (for proper operation)
 Does not light → Replace the taillight assembly.

⚠ WARNING

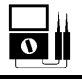
- A wire that is used as a jumper lead must have at least the same capacity of the battery lead, otherwise the jumper lead may burn.
- This check is likely to produce sparks, therefore, make sure no flammable gas or fluid is in the vicinity.

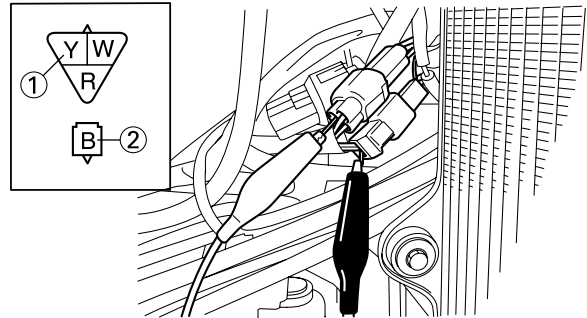


CHECKING THE RECTIFIER/REGULATOR

1. Connect the battery leads.
2. Start the engine.
3. Turn on the headlight and taillight by turning on the light switch.
4. Inspect:
 - Out-put voltage
 Out of specification → Replace rectifier/regulator.

Tester (+) lead → Yellow lead "1"
Tester (-) lead → Black lead "2"


	Out-put voltage	Tester selector position
	12.5–13.5 V at 5,000 r/min	ACV-20

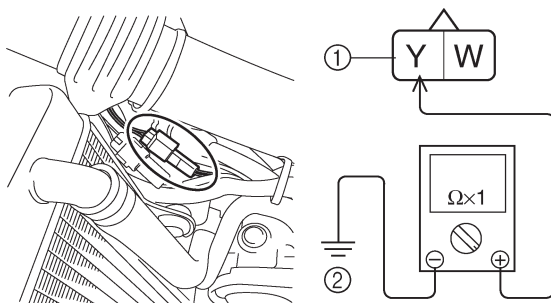


CHECKING THE AC MAGNETO

1. Inspect:
 - Lighting coil resistance
 Out of specification → Replace.

Tester (+) lead → Yellow lead "1"
Tester (-) lead → Ground "2"

	Lighting coil resistance	Tester selector position
	0.224–0.336 Ω at 20 °C (68 °F)	Ω × 1



SIGNALING SYSTEM

INSPECTION STEPS

If the speedometer will not operate, use the following inspection steps.

*1 Check battery.	No good →	Recharge or replace.
OK ↓		
Check each coupler and wire connection.	No good →	Repair or replace.
OK ↓		
Check multi-function display. (Input voltage)	No good →	Replace wire harness.
OK ↓		
Check multi-function display. (Output voltage)	No good →	Replace multi-function display.
OK ↓		
Check speed sensor.	No good →	Replace.

***1 marked: Refer to "CHECKING AND CHARGING THE BATTERY" section in the CHAPTER 3.**

TIP

- Remove the following parts before inspection.
 1. Headlight
- Use the following special tools in this inspection.



**Pocket tester:
YU-3112-C/90890-03112**

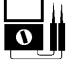
CHECKING THE COUPLERS AND LEADS CONNECTION

- Check:
 - Couplers and leads connection
Rust/dust/looseness/short-circuit → Repair or replace.

CHECKING THE MULTI-FUNCTION DISPLAY INPUT VOLTAGE

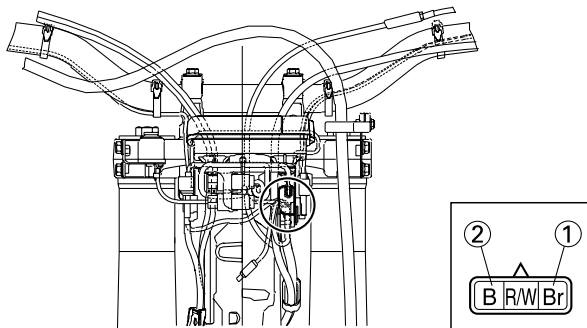
- Disconnect the multi-function display coupler.
- Set the main switch to "ON".
- Measure:
 - Multi-function display input voltage
Out of specification → Replace wire harness.

Tester (+) lead → Brown lead "1"
Tester (-) lead → Black lead "2"

	Multi-function display input voltage	Tester selector position
	10 V or more	DCV-20

NOTICE


Make sure that a short-circuit does not develop between the terminals because it may cause damage to electrical components.



CHECKING THE MULTI-FUNCTION DISPLAY OUTPUT VOLTAGE

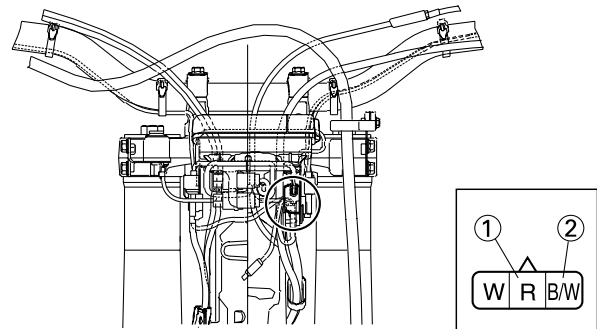
- Disconnect the multi-function display coupler.
- Set the main switch to "ON".
- Measure:
 - Multi-function display output voltage
Out of specification → Replace multi-function display.

Tester (+) lead → Red lead "1"
Tester (-) lead → Black/White lead "2"

	Multi-function display output voltage	Tester selector position
	4.5 V or more	DCV-20

NOTICE

Make sure that a short-circuit does not develop between the terminals because it may cause damage to electrical components.



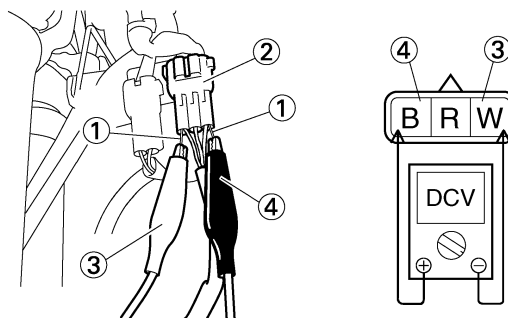
CHECKING THE SPEED SENSOR OUTPUT VOLTAGE

- Insert the thin electric conductors "1" (lead) into the speed sensor coupler "2", as shown, and connect the tester to them.

Tester (+) lead → White lead "3"
Tester (-) lead → Black lead "4"

NOTICE

- Do not insert the electric conductors more than required because it may reduce the waterproof function of the coupler.
- Make sure that a short-circuit does not develop between the terminals because it may cause damage to electrical components.



- Set the main switch to "ON".
- Measure:
 - Speed sensor output voltage
Output voltage not correct → Replace the speed sensor.



Measurement steps:

- a. Elevate the front wheel and slowly rotate it.
- b. Measure the voltage (DCV) of white lead and black lead. With each full rotation of the front wheel, the voltage reading should cycle from 0.6 V to 4.8 V to 0.6 V to 4.8 V.



PROTECT YOUR INVESTMENT
Use Genuine YAMAHA Parts And Accessories



YAMAHA

YAMAHA MOTOR CO., LTD.
2500 SHINGAI IWATA SHIZUOKA JAPAN

PRINTED ON RECYCLED PAPER

PRINTED IN JAPAN
2010.04—0.4 × 1 
(E)