



450 EXC EU
450 EXC AUS
450 EXC SIX DAYS EU
450 XC-W USA
500 EXC EU
500 EXC USA
500 EXC AUS
500 EXC SIX DAYS EU
500 XC-W USA

Art. no. 3206182en

KTM

Read this repair manual carefully and thoroughly before beginning work.

The vehicle will only be able to meet the demands placed on it if the specified service work is performed regularly and properly.

This repair manual was written to correspond to the latest state of this model series. We reserve the right to make changes in the interest of technical advancement without updating this repair manual at the same time.

We shall not provide a description of general workshop methods. Likewise, safety rules that apply in a workshop are not specified here. It is assumed that the repair work will be performed by a fully trained mechanic.

All specifications are non-binding. KTM Sportmotorcycle GmbH specifically reserves the right to modify or delete technical specifications, prices, colors, forms, materials, services, designs, equipment, etc., without prior notice and without specifying reasons, to adapt these to local conditions, as well as to stop production of a particular model without prior notice. KTM accepts no liability for delivery options, deviations from illustrations and descriptions, misprints, and other errors. The models portrayed partly contain special equipment that does not belong to the regular scope of supply.

© 2015 KTM Sportmotorcycle GmbH, Mattighofen Austria

All rights reserved

Reproduction, even in part, as well as copying of all kinds, is permitted only with the express written permission of the copyright owner.



ISO 9001(12 100 6061)

According to the international quality management standard ISO 9001, KTM uses quality assurance processes that lead to the maximum possible quality of the products.

Issued by: TÜV Management Service

REG. NO. 12 100 6061

KTM Sportmotorcycle GmbH

5230 Mattighofen, Austria



3206182en

05/2015

TABLE OF CONTENTS

1	MEANS OF REPRESENTATION.....	6	6.2.6	Positioning the fork protector.....	35
1.1	Symbols used.....	6	6.2.7	Removing the fork legs.....	35
1.2	Formats used.....	6	6.2.8	Installing the fork legs.....	36
2	SAFETY ADVICE.....	7	6.2.9	Removing the fork protector.....	36
2.1	Repair Manual.....	7	6.2.10	Installing the fork protector.....	37
2.2	Safety advice.....	7	6.2.11	Performing a fork service.....	37
2.3	Degrees of risk and symbols.....	7	6.2.12	Disassembling the fork legs.....	37
2.4	Work rules.....	7	6.2.13	Removing the spring.....	39
3	IMPORTANT NOTES.....	8	6.2.14	Disassembling the cartridge.....	40
3.1	Guarantee, warranty.....	8	6.2.15	Disassembling the piston rod.....	41
3.2	Operating and auxiliary substances.....	8	6.2.16	Disassembling the hydrostop unit.....	42
3.3	Spare parts, accessories.....	8	6.2.17	Disassembling the seal ring retainer.....	43
3.4	Figures.....	8	6.2.18	Checking the fork legs.....	43
4	SERIAL NUMBERS.....	9	6.2.19	Assembling the seal ring retainer.....	44
4.1	Chassis number.....	9	6.2.20	Assembling the hydrostop unit.....	45
4.2	Type label.....	9	6.2.21	Assembling the piston rod.....	45
4.3	Key number (all EXC models).....	9	6.2.22	Assembling the cartridge.....	47
4.4	Engine number.....	10	6.2.23	Assembling the fork legs.....	48
4.5	Fork part number.....	10	6.2.24	Greasing the steering head bearing.....	51
4.6	Shock absorber part number.....	10	6.2.25	Removing the lower triple clamp.....	52
5	MOTORCYCLE.....	11	6.2.26	Installing the lower triple clamp.....	52
5.1	Raising the motorcycle with the lift stand.....	11	6.2.27	Checking the steering head bearing play.....	54
5.2	Removing the motorcycle from the lift stand.....	11	6.2.28	Adjusting the play of the steering head bearing.....	54
5.3	Starting.....	11	7	HANDLEBAR, CONTROLS.....	56
5.4	Starting the motorcycle for a check.....	12	7.1	Handlebar position.....	56
6	FORK, TRIPLE CLAMP.....	13	7.2	Adjusting handlebar position.....	56
6.1	EXC EU/AUS/USA, XC-W.....	13	7.3	Adjusting the basic position of the clutch lever.....	56
6.1.1	Adjusting the compression damping of the fork.....	13	7.4	Checking the throttle cable routing.....	57
6.1.2	Adjusting the rebound damping of the fork.....	13	7.5	Checking the play in the throttle cable.....	57
6.1.3	Adjusting the spring preload of the fork.....	13	7.6	Adjusting the play in the throttle cable.....	58
6.1.4	Bleeding fork legs.....	14	8	FRAME.....	59
6.1.5	Cleaning the dust boots of the fork legs.....	14	8.1	Removing the engine guard (EXC SIX DAYS, EXC AUS).....	59
6.1.6	Loosening the fork protector.....	14	8.2	Installing the engine guard (EXC SIX DAYS, EXC AUS).....	59
6.1.7	Positioning the fork protector.....	15	9	SHOCK ABSORBER, SWINGARM.....	60
6.1.8	Removing the fork legs.....	15	9.1	Adjusting the high-speed compression damping of the shock absorber.....	60
6.1.9	Installing the fork legs.....	15	9.2	Adjusting the low-speed compression damping of the shock absorber.....	60
6.1.10	Removing the fork protector.....	16	9.3	Adjusting the rebound damping of the shock absorber.....	61
6.1.11	Installing the fork protector.....	17	9.4	Measuring rear wheel sag unloaded.....	61
6.1.12	Performing a fork service.....	17	9.5	Checking the static sag of the shock absorber.....	61
6.1.13	Disassembling the fork legs.....	17	9.6	Checking the riding sag of the shock absorber.....	62
6.1.14	Cartridge disassembly.....	20	9.7	Adjusting the spring preload of the shock absorber.....	62
6.1.15	Disassembling the compression damping fitting.....	22	9.8	Adjusting the riding sag.....	63
6.1.16	Checking the fork legs.....	22	9.9	Removing the shock absorber.....	63
6.1.17	Assembling the compression damping fitting.....	24	9.10	Installing the shock absorber.....	63
6.1.18	Assembling the cartridge.....	24	9.11	Servicing the shock absorber.....	64
6.1.19	Assembling the fork legs.....	26	9.12	Removing the spring.....	64
6.1.20	Greasing the steering head bearing.....	30	9.13	Disassembling the damper.....	65
6.1.21	Removing the lower triple clamp.....	30	9.14	Disassembling the piston rod.....	66
6.1.22	Installing the lower triple clamp.....	31	9.15	Disassembling the seal ring retainer.....	67
6.1.23	Checking the steering head bearing play.....	33	9.16	Replacing the pilot bushing.....	68
6.1.24	Adjusting the play of the steering head bearing.....	33	9.17	Checking the damper.....	69
6.2	EXC SIX DAYS.....	34	9.18	Disassembling the rebound adjuster.....	69
6.2.1	Adjusting the compression damping of the fork.....	34	9.19	Removing the heim joint.....	70
6.2.2	Adjusting the rebound damping of the fork.....	34	9.20	Installing the heim joint.....	71
6.2.3	Bleeding fork legs.....	34			
6.2.4	Cleaning the dust boots of the fork legs.....	34			
6.2.5	Loosening the fork protector.....	35			

9.21	Assembling the rebound adjuster.....	72	15.2	Changing the fuses of individual power consumers.....	111
9.22	Assembling the seal ring retainer.....	72	15.3	Removing the battery.....	112
9.23	Assembling the piston rod.....	73	15.4	Installing the battery.....	112
9.24	Assembling the damper.....	74	15.5	Checking the charging voltage.....	113
9.25	Bleeding and filling the damper.....	77	15.6	Checking the quiescent current.....	113
9.26	Filling the damper with nitrogen.....	79	16	BRAKE SYSTEM	114
9.27	Installing the spring.....	80	16.1	Checking the front brake linings.....	114
9.28	Changing the heim joint.....	81	16.2	Changing the front brake linings.....	114
10	EXHAUST	83	16.3	Checking free travel of hand brake lever.....	116
10.1	Removing the manifold.....	83	16.4	Adjusting the basic position of the hand brake lever (XC-W).....	116
10.2	Installing the manifold.....	83	16.5	Adjusting free travel of hand brake lever (all EXC models).....	116
10.3	Removing main silencer.....	84	16.6	Checking the brake fluid level of the front brake.....	117
10.4	Installing the main silencer.....	84	16.7	Adding front brake fluid.....	117
10.5	Changing the glass fiber yarn filling of the main silencer.....	84	16.8	Changing the front brake fluid.....	118
11	AIR FILTER	86	16.9	Checking the rear brake linings.....	119
11.1	Removing the air filter box lid.....	86	16.10	Changing the rear brake linings.....	119
11.2	Installing the air filter box lid.....	86	16.11	Checking the free travel of foot brake lever.....	121
11.3	Sealing the air filter box.....	86	16.12	Adjusting the basic position of the foot brake lever.....	121
11.4	Removing the air filter.....	86	16.13	Checking the rear brake fluid level.....	122
11.5	Installing the air filter.....	87	16.14	Adding rear brake fluid.....	122
11.6	Cleaning the air filter and air filter box.....	87	16.15	Changing the rear brake fluid.....	123
12	FUEL TANK, SEAT, TRIM	89	17	LIGHTING SYSTEM, INSTRUMENTS	125
12.1	Opening filler cap.....	89	17.1	Checking the headlight setting.....	125
12.2	Closing filler cap.....	89	17.2	Adjusting the headlight range.....	125
12.3	Removing the seat.....	89	17.3	EXC EU/AUS/USA, XC-W.....	125
12.4	Mounting the seat.....	90	17.3.1	Speedometer overview.....	125
12.5	Removing the fuel tank.....	90	17.3.2	Activation and test.....	126
12.6	Installing the fuel tank.....	91	17.3.3	Setting kilometers or miles.....	126
12.7	Changing the fuel screen.....	92	17.3.4	Adjusting the speedometer functions.....	126
12.8	Changing the fuel filter.....	93	17.3.5	Setting the clock.....	127
12.9	Changing the fuel pump.....	95	17.3.6	Setting the wheel circumference.....	127
12.10	Checking the fuel pressure.....	96	17.3.7	Querying lap time.....	128
13	MASK, FENDER	98	17.4	EXC SIX DAYS.....	128
13.1	Removing the front fender.....	98	17.4.1	Speedometer overview.....	128
13.2	Installing the front fender.....	98	17.4.2	Activation and test.....	129
13.3	Removing headlight mask with headlight.....	98	17.4.3	Setting kilometers or miles.....	129
13.4	Refitting the headlight mask with the headlight.....	99	17.4.4	Setting the speedometer functions.....	129
14	WHEELS	100	17.4.5	Setting the clock.....	130
14.1	Checking the tire air pressure.....	100	17.4.6	Activating the additional functions.....	130
14.2	Checking the tire condition.....	100	17.4.7	Setting the wheel circumference.....	131
14.3	Checking the brake discs.....	101	17.4.8	Viewing the lap time.....	131
14.4	Checking spoke tension.....	101	18	ENGINE	133
14.5	Front wheel.....	102	18.1	Removing the engine.....	133
14.5.1	Removing the front wheel.....	102	18.2	Installing the engine.....	137
14.5.2	Installing the front wheel.....	102	18.3	Engine disassembly.....	142
14.5.3	Removing the front brake disc.....	103	18.3.1	Preparations.....	142
14.5.4	Installing the front brake disc.....	103	18.3.2	Draining the engine oil.....	142
14.6	Rear wheel.....	103	18.3.3	Removing the clutch push rod.....	143
14.6.1	Removing the rear wheel.....	103	18.3.4	Removing the oil filter.....	143
14.6.2	Installing the rear wheel.....	104	18.3.5	Removing the starter motor.....	144
14.6.3	Removing the rear brake disc.....	105	18.3.6	Removing the kickstarter.....	144
14.6.4	Installing the rear brake disc.....	105	18.3.7	Removing the spark plug.....	144
14.6.5	Checking the chain tension.....	106	18.3.8	Removing the valve cover.....	144
14.6.6	Adjusting the chain tension.....	106	18.3.9	Removing the alternator cover.....	145
14.6.7	Checking the chain, rear sprocket, engine sprocket and chain guide.....	107	18.3.10	Positioning the engine at ignition top dead center.....	145
14.6.8	Checking for chain dirt accumulation.....	109	18.3.11	Removing the timing chain tensioner.....	146
14.6.9	Cleaning the chain.....	109			
15	WIRING HARNESS, BATTERY	110			
15.1	Changing the main fuse.....	110			

18.3.12	Removing the camshaft	146	18.4.21	Assembling the autodecompressor	167
18.3.13	Removing the cylinder head	146	18.4.22	Checking camshaft	168
18.3.14	Removing the piston	147	18.4.23	Checking the timing assembly	168
18.3.15	Removing the rotor	147	18.4.24	Removing the rocker arm	169
18.3.16	Removing the timing chain guide rail	147	18.4.25	Removing the valves	169
18.3.17	Removing the timing chain tensioning rail	148	18.4.26	Changing camshaft bearing	170
18.3.18	Removing the timing chain securing guide	148	18.4.27	Checking the valves	170
18.3.19	Removing the timing chain	148	18.4.28	Checking valve springs	171
18.3.20	Removing the ignition pulse generator	148	18.4.29	Checking valve spring seat	171
18.3.21	Removing the suction pump	148	18.4.30	Checking the cylinder head	171
18.3.22	Removing the water pump cover	149	18.4.31	Checking the rocker arm shafts	172
18.3.23	Removing the clutch cover	149	18.4.32	Installing the valves	172
18.3.24	Removing the clutch discs	150	18.4.33	Installing the rocker arm	173
18.3.25	Removing the primary gear nut	151	18.4.34	Checking the clutch	173
18.3.26	Removing the outer clutch hub	151	18.4.35	Checking the shift mechanism	175
18.3.27	Removing the torque limiter	152	18.4.36	Preassembling the shift shaft	176
18.3.28	Removing the starter idler gear	152	18.4.37	Disassembling the main shaft	176
18.3.29	Removing the kickstarter idler gear	152	18.4.38	Assembling the main shaft	177
18.3.30	Removing the kickstarter idler gear	152	18.4.39	Disassembling the countershaft	178
18.3.31	Removing the shift shaft	152	18.4.40	Assembling the countershaft	178
18.3.32	Removing the shift drum locating unit	153	18.4.41	Checking the transmission	179
18.3.33	Removing the locking lever	153	18.4.42	Premounting the kickstarter shaft	181
18.3.34	Removing the oil pump gear wheels	153	18.4.43	Checking the starter drive	182
18.3.35	Removing the force pump	154	18.4.44	Removing the freewheel	182
18.3.36	Removing the primary gear	154	18.4.45	Checking the freewheel	183
18.3.37	Removing the freewheel gear	154	18.4.46	Installing the freewheel	183
18.3.38	Removing the left engine case section	154	18.5	Engine assembly	184
18.3.39	Removing the shift rails	155	18.5.1	Installing the crankshaft	184
18.3.40	Removing the shift drum	155	18.5.2	Installing the transmission shafts	184
18.3.41	Removing the shift forks	156	18.5.3	Installing the shift forks	184
18.3.42	Removing the transmission shafts	156	18.5.4	Installing the shift drum	185
18.3.43	Removing the crankshaft	156	18.5.5	Installing the shift rails	185
18.4	Work on individual parts	157	18.5.6	Installing the left engine case	185
18.4.1	Work on the right section of the engine case	157	18.5.7	Installing the freewheel gear	186
18.4.2	Work on the left section of the engine case	158	18.5.8	Installing the primary gear	186
18.4.3	Removing the oil pressure regulator valve	159	18.5.9	Installing the force pump	186
18.4.4	Checking spring length of oil pressure regulator valve	159	18.5.10	Installing the oil pump gear wheels	187
18.4.5	Installing the oil pressure regulator valve	160	18.5.11	Installing the locking lever	187
18.4.6	Removing the crankshaft seal ring in the clutch cover	160	18.5.12	Installing the shift drum locating unit	187
18.4.7	Installing the crankshaft seal ring in the clutch cover	160	18.5.13	Installing the shift shaft	188
18.4.8	Removing the water pump	160	18.5.14	Installing the kickstarter idler gear	188
18.4.9	Installing the water pump	161	18.5.15	Installing the kickstarter shaft	188
18.4.10	Removing the timing chain sprocket	162	18.5.16	Installing the starter idler gear	188
18.4.11	Installing the timing chain sprocket	162	18.5.17	Installing the torque limiter	189
18.4.12	Changing the connecting rod, conrod bearing, and crank pin	162	18.5.18	Installing the outer clutch hub	189
18.4.13	Checking crankshaft run-out at bearing pin	164	18.5.19	Installing the primary gear nut	190
18.4.14	Cylinder - Nikasil® coating	164	18.5.20	Installing the clutch discs	190
18.4.15	Checking/measuring the cylinder	164	18.5.21	Installing the clutch cover	191
18.4.16	Checking/measuring the piston	165	18.5.22	Installing the water pump cover	192
18.4.17	Checking the piston ring end gap	165	18.5.23	Installing the suction pump	192
18.4.18	Measuring the piston/cylinder mounting clearance	166	18.5.24	Installing the ignition pulse generator	193
18.4.19	Checking the oil pumps	166	18.5.25	Installing the timing chain	193
18.4.20	Disassembling the autodecompressor	166	18.5.26	Installing the timing chain securing guide ...	193
			18.5.27	Installing the timing chain tensioning rail	194
			18.5.28	Installing the timing chain guide rail	194
			18.5.29	Installing the rotor	194
			18.5.30	Installing the piston	194
			18.5.31	Installing the cylinder head	196
			18.5.32	Installing the camshaft	197
			18.5.33	Installing the timing chain tensioner	197
			18.5.34	Checking the valve clearance	198

TABLE OF CONTENTS

18.5.35	Adjusting the valve clearance	198	26.2	Checks and maintenance steps for winter operation	225
18.5.36	Installing the alternator cover	198	27	STORAGE	226
18.5.37	Installing the valve cover	199	27.1	Storage	226
18.5.38	Installing the spark plug	199	27.2	Preparing for use after storage	226
18.5.39	Installing the kickstarter	199	28	SERVICE SCHEDULE	227
18.5.40	Installing the starter motor	199	28.1	Service schedule	227
18.5.41	Installing the oil filter	200	28.2	Service work (as additional order)	228
18.5.42	Installing the clutch push rod	200	29	WIRING DIAGRAM	230
18.5.43	Installing the oil screen	200	29.1	Page 1 of 8 (EXC EU)	230
18.5.44	Removing the engine from the engine assembly stand	201	29.2	Page 2 of 8 (EXC EU)	232
19	CLUTCH	202	29.3	Page 3 of 8 (EXC EU)	234
19.1	Checking/correcting the fluid level of the hydraulic clutch	202	29.4	Page 4 of 8 (EXC EU)	236
19.2	Changing the hydraulic clutch fluid	202	29.5	Page 5 of 8 (EXC EU)	238
20	WATER PUMP, COOLING SYSTEM	203	29.6	Page 6 of 8 (EXC EU)	240
20.1	Cooling system	203	29.7	Page 7 of 8 (EXC EU)	242
20.2	Checking the antifreeze and coolant level	203	29.8	Page 8 of 8 (EXC EU)	244
20.3	Checking the coolant level	204	29.9	Page 1 of 8 (EXC AUS)	246
20.4	Draining the coolant	204	29.10	Page 2 of 8 (EXC AUS)	248
20.5	Refilling coolant	205	29.11	Page 3 of 8 (EXC AUS)	250
21	LUBRICATION SYSTEM	206	29.12	Page 4 of 8 (EXC AUS)	252
21.1	Oil circuit	206	29.13	Page 5 of 8 (EXC AUS)	254
21.2	Checking the engine oil level	206	29.14	Page 6 of 8 (EXC AUS)	256
21.3	Changing the engine oil and oil filter, cleaning the oil screens	206	29.15	Page 7 of 8 (EXC AUS)	258
21.4	Adding engine oil	209	29.16	Page 8 of 8 (EXC AUS)	260
21.5	Checking the engine oil pressure	209	29.17	Page 1 of 8 (EXC USA)	262
22	IGNITION SYSTEM	211	29.18	Page 2 of 8 (EXC USA)	264
22.1	Ignition coil - checking the secondary winding	211	29.19	Page 3 of 8 (EXC USA)	266
22.2	Checking the spark plug connector	211	29.20	Page 4 of 8 (EXC USA)	268
22.3	Alternator - checking the stator winding	211	29.21	Page 5 of 8 (EXC USA)	270
22.4	Removing the stator	212	29.22	Page 6 of 8 (EXC USA)	272
22.5	Installing the stator	212	29.23	Page 7 of 8 (EXC USA)	274
23	ELECTRIC STARTER	213	29.24	Page 8 of 8 (EXC USA)	276
23.1	Checking the starter motor	213	29.25	Page 1 of 8 (EXC SIX DAYS)	278
24	THROTTLE VALVE BODY	214	29.26	Page 2 of 8 (EXC SIX DAYS)	280
24.1	Adjusting the idle speed	214	29.27	Page 3 of 8 (EXC SIX DAYS)	282
24.2	Throttle position sensor circuit A - checking the basic settings	214	29.28	Page 4 of 8 (EXC SIX DAYS)	284
24.3	Throttle position sensor - adjusting the basic settings	214	29.29	Page 5 of 8 (EXC SIX DAYS)	286
24.4	Executing the initialization run	215	29.30	Page 6 of 8 (EXC SIX DAYS)	288
25	TECHNICAL DATA	216	29.31	Page 7 of 8 (EXC SIX DAYS)	290
25.1	Engine	216	29.32	Page 8 of 8 (EXC SIX DAYS)	292
25.2	Engine tolerance, wear limits	216	29.33	Page 1 of 6 (XC-W)	294
25.3	Engine tightening torques	217	29.34	Page 2 of 6 (XC-W)	296
25.4	Capacities	219	29.35	Page 3 of 6 (XC-W)	298
25.4.1	Engine oil	219	29.36	Page 4 of 6 (XC-W)	300
25.4.2	Coolant	219	29.37	Page 5 of 6 (XC-W)	302
25.4.3	Fuel	219	29.38	Page 6 of 6 (XC-W)	304
25.5	Chassis	219	30	SUBSTANCES	306
25.6	Electrical system	220	31	AUXILIARY SUBSTANCES	307
25.7	Tires	220	32	SPECIAL TOOLS	309
25.8	Fork	220	33	STANDARDS	323
25.8.1	EXC EU/AUS/USA, XC-W	220	34	LIST OF ABBREVIATIONS	324
25.8.2	EXC SIX DAYS	221	INDEX	325	
25.9	Shock absorber	221			
25.10	Chassis tightening torques	222			
26	CLEANING, CARE	224			
26.1	Cleaning the motorcycle	224			

1.1 Symbols used

The meaning of specific symbols is described below.



Indicates an expected reaction (e.g. of a work step or a function).



Indicates an unexpected reaction (e.g. of a work step or a function).



Indicates a page reference (more information is provided on the specified page).



Indicates information with more details or tips.



Indicates the result of a testing step.



Denotes a voltage measurement.



Denotes a current measurement.



Denotes a resistance measurement.

1.2 Formats used

The typographical formats used in this document are explained below.

Proprietary name	Identifies a proprietary name.
Name®	Identifies a protected name.
Brand™	Identifies a trademark.
<u>Underlined terms</u>	Refer to technical details of the vehicle or indicate technical terms, which are explained in the glossary.


2.1 Repair Manual

Read this Repair Manual carefully and thoroughly before beginning work. It contains useful information and tips that will help you repair and maintain your vehicle.

This manual assumes that the necessary special KTM tools and KTM workplace and workshop equipment are available.


2.2 Safety advice

A number of safety instructions need to be followed to operate the vehicle safely. Therefore, read this manual carefully. The safety instructions are highlighted in the text and are referred to at the relevant passages.

 **Info**
The vehicle has various information and warning labels at prominent locations. Do not remove information/warning labels. If they are missing, you or others may not recognize dangers and may therefore be injured.

2.3 Degrees of risk and symbols

 **Danger**
Indicates a danger that will immediately and invariably lead to fatal or serious permanent injury if the appropriate measures are not taken.

 **Warning**
Indicates a danger that is likely to lead to fatal or serious injury if the appropriate measures are not taken.

 **Caution**
Indicates a danger that may lead to minor injuries if the appropriate measures are not taken.

Note
Indicates a danger that will lead to considerable machine and material damage if the appropriate measures are not taken.

 **Warning**
Indicates a danger that will lead to environmental damage if the appropriate measures are not taken.

2.4 Work rules

Special tools are necessary for certain tasks. The tools are not contained in the vehicle but can be ordered under the number in parentheses. E.g.: bearing puller (15112017000)

During assembly, non-reusable parts (e.g. self-locking screws and nuts, seals and seal rings, O-rings, pins, lock washers) must be replaced by new parts.

In some instances, a thread locker (e.g. **Loctite**[®]) is required. The manufacturer instructions for use must be followed.

After disassembly, clean the parts that are to be reused and check them for damage and wear. Change damaged or worn parts.

After you complete the repair or service work, check the operating safety of the vehicle.

3.1 Guarantee, warranty

The work prescribed in the service schedule must be carried out by an authorized KTM workshop only and confirmed in the customer's Service & Warranty Booklet and in the **KTM Dealer.net**; otherwise, all warranty claims will be void. No warranty claims can be considered for damage resulting from manipulations and/or alterations to the vehicle.

Additional information on the guarantee or warranty and the procedures involved can be found in the Service & Warranty Booklet.

3.2 Operating and auxiliary substances



Warning

Environmental hazard Improper handling of fuel is a danger to the environment.

- Do not allow fuel to get into the ground water, the ground, or the sewage system.

Use the operating and auxiliary substances (such as fuel and lubricants) as specified in the manual.

3.3 Spare parts, accessories

Only use spare parts and accessories approved and/or recommended by KTM. KTM accepts no liability for other products and any resulting damage or loss.

The current **KTM PowerParts** for your vehicle can be found on the KTM website.

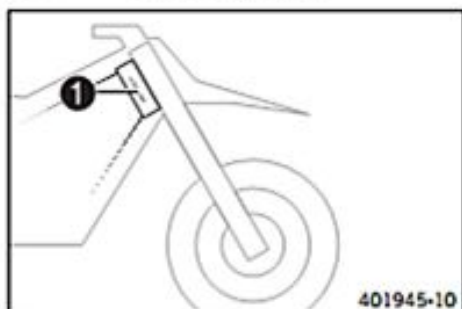
International KTM Website: <http://www.ktm.com>

3.4 Figures

The figures contained in the manual may depict special equipment.

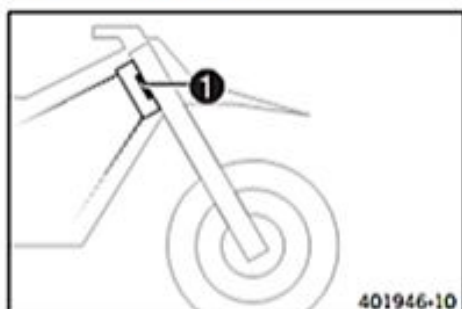
In the interest of clarity, some components may be shown disassembled or may not be shown at all. It is not always necessary to disassemble the component to perform the activity in question. Please follow the instructions in the text.

4.1 Chassis number



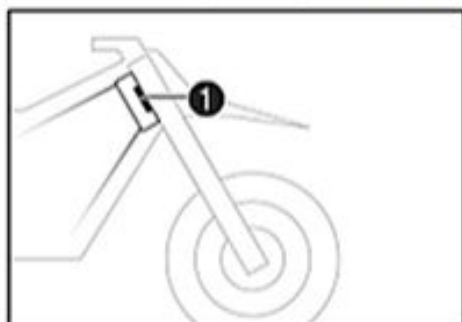
The chassis number ❶ is stamped on the steering head on the right.

4.2 Type label



(EXC EU/AUS, EXC SIX DAYS, XC-W)

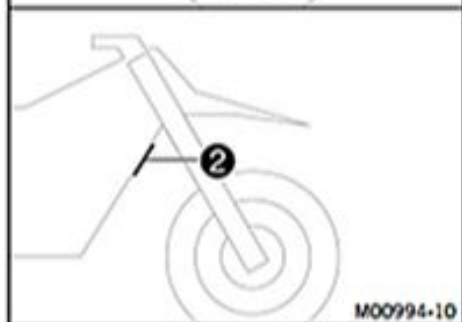
The type label ❶ is fixed to the front of the steering head.



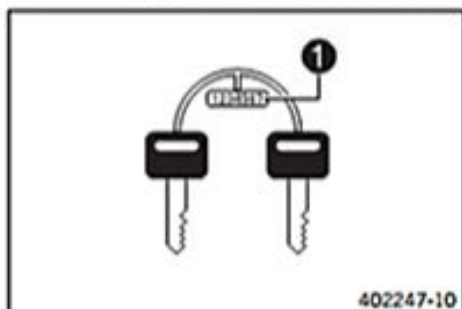
(EXC USA)

The type label ❶ is fixed to the front of the steering head.

The additional type label for Canada ❷ is fixed to the front of the front pipe.

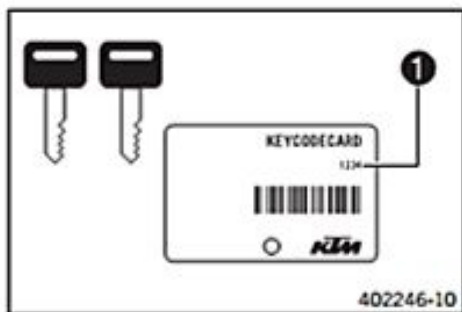


4.3 Key number (all EXC models)



(EXC EU/AUS, EXC SIX DAYS)

The key number ❶ for the steering lock is stamped onto the key connector.



(EXC USA)

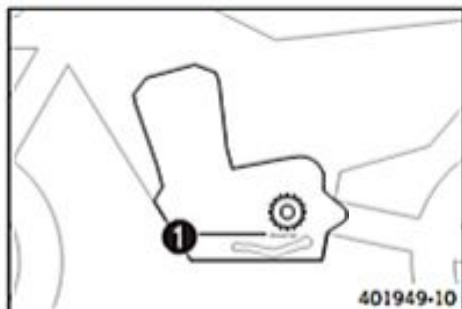
Key number ❶ for the ignition and steering lock is indicated on the **KEYCODECARD**.



Info

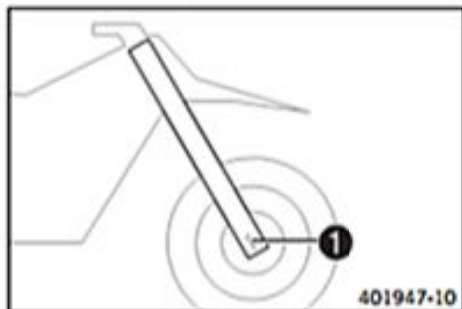
You need the key number to order a replacement key. Keep the **KEYCODECARD** in a safe place.

4.4 Engine number



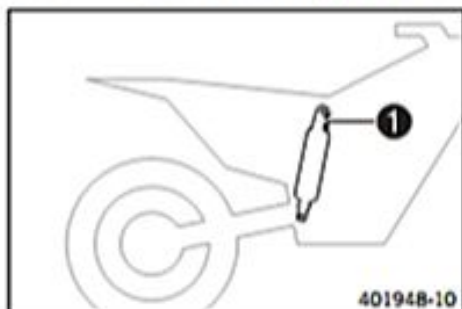
The engine number ❶ is stamped on the left side of the engine under the engine sprocket.

4.5 Fork part number



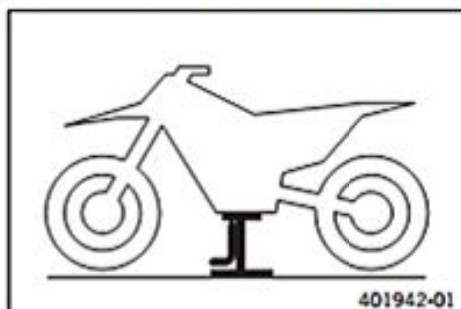
The fork part number ❶ is stamped on the inner side of the fork stub.

4.6 Shock absorber part number



The shock absorber part number ❶ is stamped on the top of the shock absorber above the adjusting ring on the engine side.

5.1 Raising the motorcycle with the lift stand



Note

Danger of damage The parked vehicle may roll away or fall over.

- Always place the vehicle on a firm and even surface.
- Raise the motorcycle at the frame underneath the engine.

Lift stand (54829055000) (☞ p. 311)

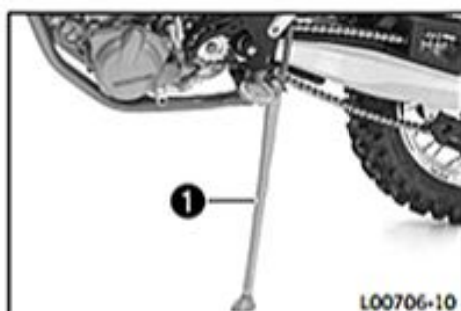
- ✓ Neither wheel is in contact with the ground.
- Secure the motorcycle against falling over.

5.2 Removing the motorcycle from the lift stand

Note

Danger of damage The parked vehicle may roll away or fall over.

- Always place the vehicle on a firm and even surface.



- Remove the motorcycle from the lift stand.
- Remove the lift stand.
- To park the motorcycle, press the side stand ❶ to the ground with your foot and lean the motorcycle on it.

i Info

When you are riding, the side stand must be folded up and secured with the rubber band.

5.3 Starting



Danger

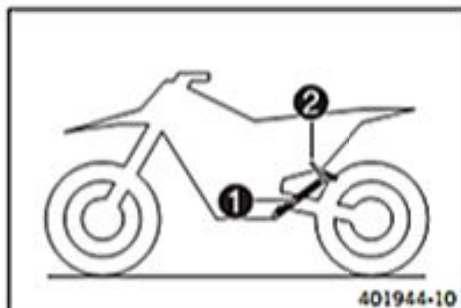
Danger of poisoning Exhaust gases are toxic and inhaling them may result in unconsciousness and/or death.

- When running the engine, always make sure there is sufficient ventilation, and do not start or run the engine in an enclosed space without an effective exhaust extraction system.

Note

Engine failure High engine speeds in cold engines have a negative effect on the service life of the engine.

- Always warm up the engine at low engine speeds.



- Take the motorcycle off of side stand ❶ and secure the side stand with rubber band ❷.
- Shift transmission to neutral.

(EXC USA)

- Turn the key in the ignition lock to the position ☉.
- Turn the emergency OFF switch to the position ☉.

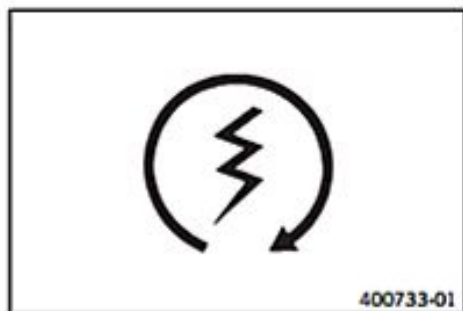
(EXC AUS)

- Turn the emergency OFF switch to the position ☉.

Condition

Ambient temperature: < 20 °C (< 68 °F)

- Pull the idle speed adjusting screw all the way out.



- Press the electric starter button or press the kick starter robustly through its full range.

**Info**

Press the electric starter button for at most 5 seconds. Wait for a least 5 seconds before trying again.
Warning lamp FI lights up briefly as a functional control when starting.

5.4 Starting the motorcycle for a check

**Danger**

Danger of poisoning Exhaust gases are toxic and inhaling them may result in unconsciousness and/or death.



- When running the engine, always make sure there is sufficient ventilation, and do not start or run the engine in an enclosed space without an effective exhaust extraction system.

**Info**


Press the starter for a maximum of 5 seconds. Wait for at least 5 seconds before trying again.

- Shift transmission to neutral.

(EXC USA)

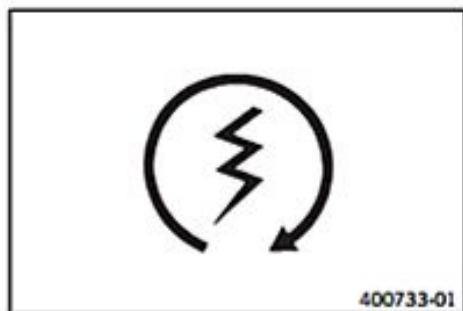
- Turn the key in the ignition lock to the position .
- Turn the emergency OFF switch to the position .

(EXC AUS)

- Turn the emergency OFF switch to the position .
- Press the electric starter button or press the kickstarter robustly through its full range.

**Info**

Do not open the throttle.



- Press the electric starter button or press the kick starter robustly through its full range.

**Info**

Press the electric starter button for at most 5 seconds. Wait for a least 5 seconds before trying again.

Warning lamp FI lights up briefly as a functional control when starting.

5.4 Starting the motorcycle for a check

**Danger**

Danger of poisoning Exhaust gases are toxic and inhaling them may result in unconsciousness and/or death.



- When running the engine, always make sure there is sufficient ventilation, and do not start or run the engine in an enclosed space without an effective exhaust extraction system.

**Info**

Press the starter for a maximum of 5 seconds. Wait for at least 5 seconds before trying again.

- Shift transmission to neutral.

(EXC USA)

- Turn the key in the ignition lock to the position .
- Turn the emergency OFF switch to the position .

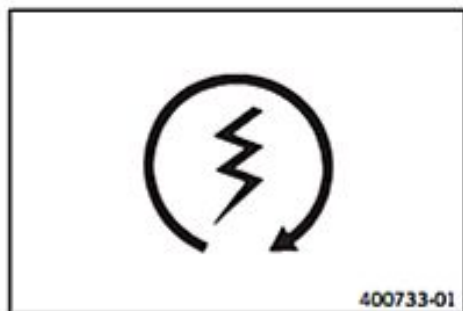
(EXC AUS)

- Turn the emergency OFF switch to the position .

- Press the electric starter button or press the kickstarter robustly through its full range.

**Info**

Do not open the throttle.



- Press the electric starter button or press the kick starter robustly through its full range.

**Info**

Press the electric starter button for at most 5 seconds. Wait for a least 5 seconds before trying again.
Warning lamp FI lights up briefly as a functional control when starting.

5.4 Starting the motorcycle for a check

**Danger**

Danger of poisoning Exhaust gases are toxic and inhaling them may result in unconsciousness and/or death.



- When running the engine, always make sure there is sufficient ventilation, and do not start or run the engine in an enclosed space without an effective exhaust extraction system.

**Info**


Press the starter for a maximum of 5 seconds. Wait for at least 5 seconds before trying again.

- Shift transmission to neutral.

(EXC USA)

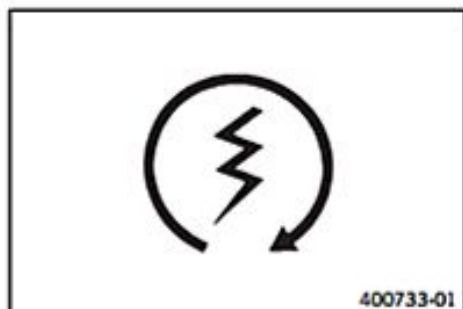
- Turn the key in the ignition lock to the position .
- Turn the emergency OFF switch to the position .

(EXC AUS)

- Turn the emergency OFF switch to the position .
- Press the electric starter button or press the kickstarter robustly through its full range.

**Info**

Do not open the throttle.



- Press the electric starter button or press the kick starter robustly through its full range.

i Info

Press the electric starter button for at most 5 seconds. Wait for a least 5 seconds before trying again.
Warning lamp FI lights up briefly as a functional control when starting.

5.4 Starting the motorcycle for a check

! Danger

Danger of poisoning Exhaust gases are toxic and inhaling them may result in unconsciousness and/or death.



- When running the engine, always make sure there is sufficient ventilation, and do not start or run the engine in an enclosed space without an effective exhaust extraction system.

i Info


Press the starter for a maximum of 5 seconds. Wait for at least 5 seconds before trying again.

- Shift transmission to neutral.

(EXC USA)

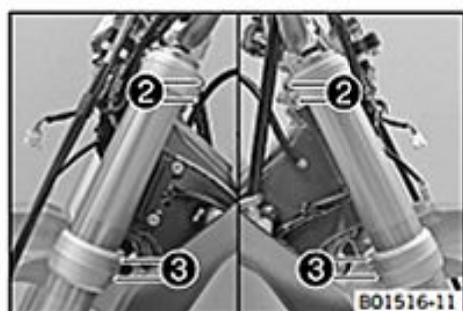
- Turn the key in the ignition lock to the position .
- Turn the emergency OFF switch to the position .

(EXC AUS)

- Turn the emergency OFF switch to the position .
- Press the electric starter button or press the kickstarter robustly through its full range.

i Info

Do not open the throttle.



- Tighten screws ②.

Guideline

Screw, top triple clamp	M8	20 Nm (14.8 lbf ft)
-------------------------	----	------------------------

- Tighten screws ③.

Guideline

Screw, bottom triple clamp	M8	15 Nm (11.1 lbf ft)
----------------------------	----	------------------------



(EXC USA)

- Position the fork legs.
- ✓ Bleeder screws ① are positioned toward the front.



Info

Grooves are milled into the side of the upper end of the fork legs. The second milled groove (from the top) must be flush with the top edge of the upper triple clamp.



- Tighten screws ②.

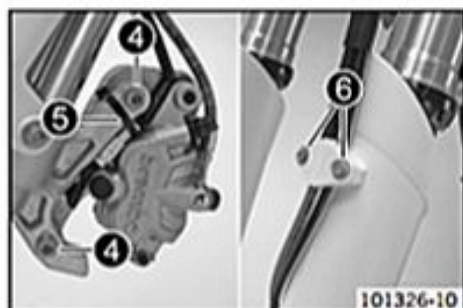
Guideline

Screw, top triple clamp	M8	20 Nm (14.8 lbf ft)
-------------------------	----	------------------------

- Tighten screws ③.

Guideline

Screw, bottom triple clamp	M8	15 Nm (11.1 lbf ft)
----------------------------	----	------------------------



- Position the brake caliper and mount and tighten screws ④.

Guideline

Screw, front brake caliper	M8	25 Nm (18.4 lbf ft)	Loctite® 243™
----------------------------	----	------------------------	---------------

- Mount cable binder ⑤.
- Position the brake line, wiring harness, and clamp. Mount and tighten screws ⑥.

Finishing work

- Install the front wheel. (☛ p. 102)
- Refit the headlight mask with the headlight. (☛ p. 99)
- Check the headlight setting. (☛ p. 125)

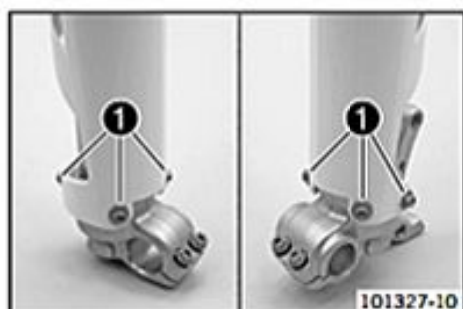
6.1.10 Removing the fork protector

Preparatory work

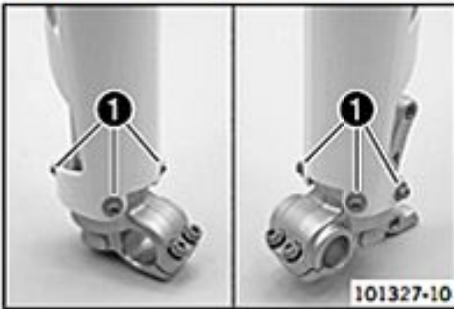
- Remove the headlight mask with the headlight. (☛ p. 98)
- Raise the motorcycle with the lift stand. (☛ p. 11)
- Remove the front wheel. (☛ p. 102)
- Remove the fork legs. (☛ p. 15)

Main work

- Remove screws ① on the left fork leg. Remove the fork protector upwards.
- Remove the screws on the right fork leg. Remove the fork protector upwards.



6.1.11 Installing the fork protector



Main work

- Position the fork protector on the left fork leg. Mount and tighten screws ①.

Guideline

Remaining screws, chassis	M6	10 Nm (7.4 lbf ft)
---------------------------	----	--------------------

- Position the fork protector on the right fork leg. Mount and tighten the screws.

Guideline

Remaining screws, chassis	M6	10 Nm (7.4 lbf ft)
---------------------------	----	--------------------

Finishing work

- Install the fork legs. (☛ p. 15)
- Install the front wheel. (☛ p. 102)
- Refit the headlight mask with the headlight. (☛ p. 99)
- Check the headlight setting. (☛ p. 125)

6.1.12 Performing a fork service



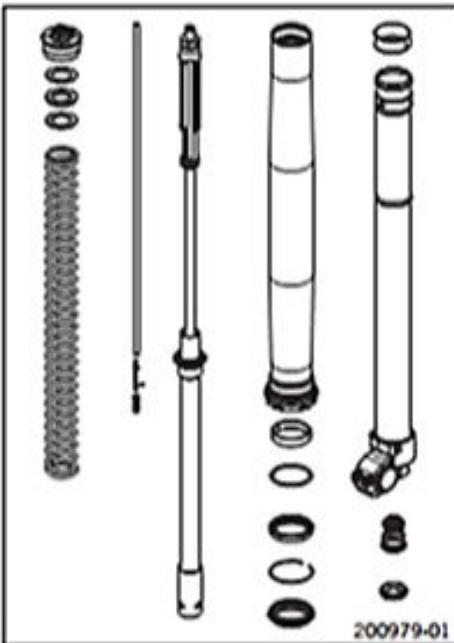
Info

These operations are the same on both fork legs.

Condition

The fork legs have been removed.

- Disassemble the fork legs. (☛ p. 17)
- Disassemble the cartridge. (☛ p. 20)
- Check the fork legs. (☛ p. 22)
- Assemble the cartridge. (☛ p. 24)
- Assemble the fork legs. (☛ p. 26)



6.1.13 Disassembling the fork legs

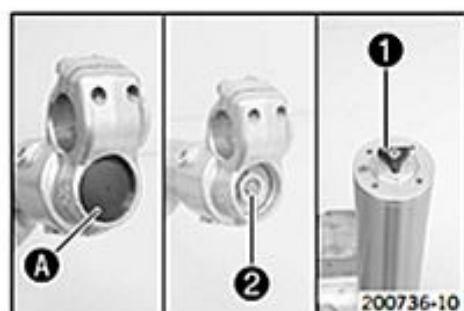


Info

The steps are identical for both fork legs.

Condition

The fork legs are disassembled.



- Remove protective cover **A**.
- Note down the present state of rebound damping **1** and compression damping **2**.
- Note down of the present state of the spring preload.
- Completely open the adjusters of the rebound damping and compression damping.



- Clamp the fork leg in the area of lower triple clamp.

Clamping stand (T1403S) (☛ p. 321)



- Loosen Preload Adjuster **3**.

Pin wrench (T103) (☛ p. 317)



Info

The Preload Adjuster cannot be taken off yet.

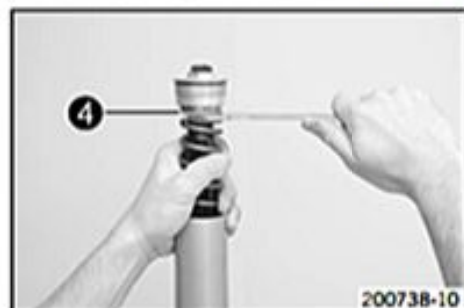


- Take out the fork leg and clamp with the axle clamp.



Info

Use soft jaws.



- Push the outer tube downward.
- Pull the spring downward. Place the special tool on the hexagonal part.

Open-end wrench (T14032) (☛ p. 321)



Info

The preload spacers **4** should be above the special tool.



- Clamp the special tool in the bench vise. Loosen Preload Adjuster **3**.



- Remove Preload Adjuster ③ with preload spacers ④.
- Remove adjustment tube ⑤.



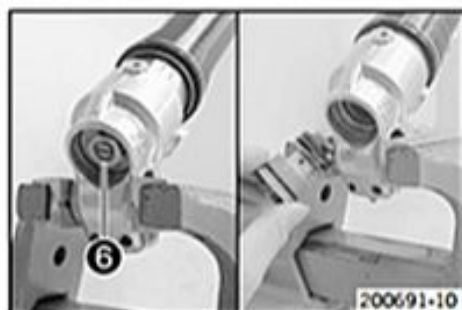
- Pull the spring downward. Remove the special tool.
- Remove the spring.



- Drain the fork oil.

**Info**

Pull out and push in the piston rod a few times to empty the cartridge.



- Clamp the fork leg with the axle clamp.

Guideline

Use soft jaws.

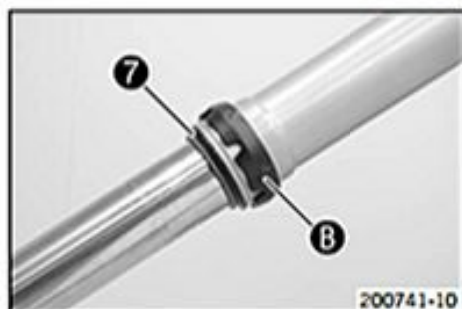
- Unscrew and remove the compression damping fitting ⑥.

**Info**

Place a fluid collector beneath it, as usually some oil will drain out.



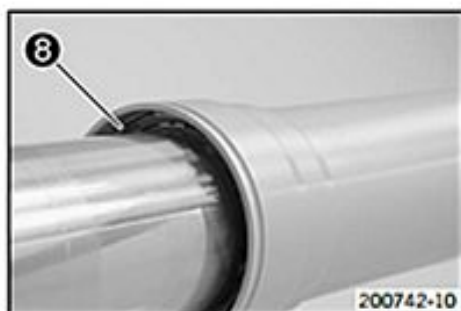
- Remove the cartridge.



- Remove dust boot ⑦.
- Remove fork protector ring ⑧.

**Info**

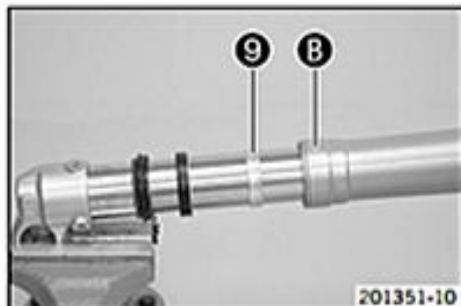
The fork protector ring does not necessarily need to be disassembled for the further repair.



- Remove lock ring **8**.

**Info**

The lock ring has a coarsely finished end against which the screwdriver can be placed.



- Warm up the outer tube in area **8** of the lower sliding bushing.

Guideline

50 °C (122 °F)

- Jerk the outer tube out of the inner tube.

**Info**

The lower sliding bushing **9** must be pulled out of its bearing seat when doing this.



- Remove upper sliding bushing **10**.

**Info**

Gently pull them apart without using any tool.



- Take off the lower sliding bushing **9**.
- Take off support ring **11**.
- Take off seal ring **12**.
- Take off lock ring **8**.
- Take off dust boot **7**.
- Take out the fork leg.

6.1.14 Cartridge disassembly

**Info**

The steps are identical for both fork legs.

Preparatory work

- Disassemble the fork legs. (☛ p. 17)

Main work

- Remove fluid barrier **1** from the piston rod.

Clamping stand (T14016S) (☛ p. 320)

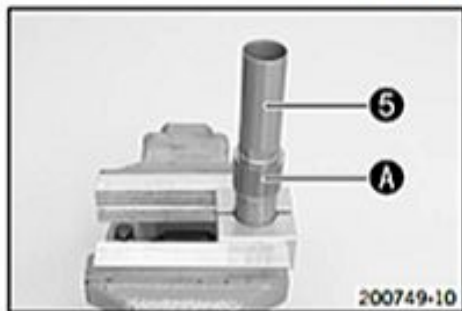




- Remove piston rod ② from the cartridge.



- Remove washer ③ and spring seat ④ from the cartridge.



- Degrease the cartridge and clamp using the special tool.

Clamping stand (T14015S) (☛ p. 320)

- Warm up the cartridge in the area of ①.

Guideline

50 °C (122 °F)

- Unscrew and remove screwsleeve ⑤.

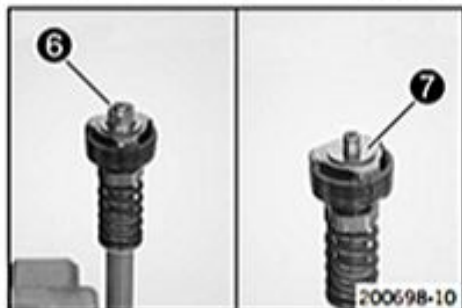
i Info

This step is unnecessary for the further disassembly.



- Degrease the piston rod.
- Clamp the piston rod with the special tool.

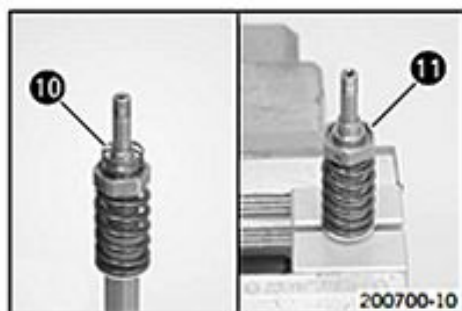
Clamping stand (T14016S) (☛ p. 320)



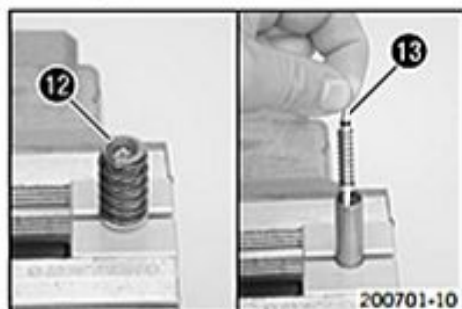
- Remove nut ⑥.
- Remove shim stack ⑦ completely.



- Remove piston ⑧.
- Remove shim stack ⑨ completely.



- Remove spring 10.
- Remove tap rebound 11.



- Remove spring 12.
- Remove valve 13 of the rebound damping together with the spring.
- Take out the piston rod.

6.1.15 Disassembling the compression damping fitting


Info

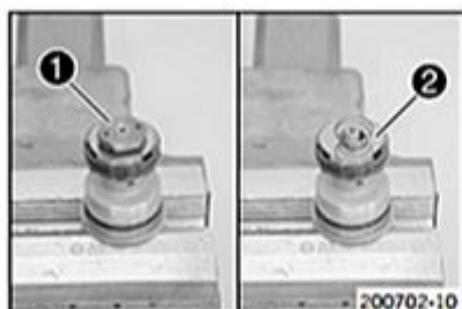
The steps are identical for both fork legs.

Preparatory work

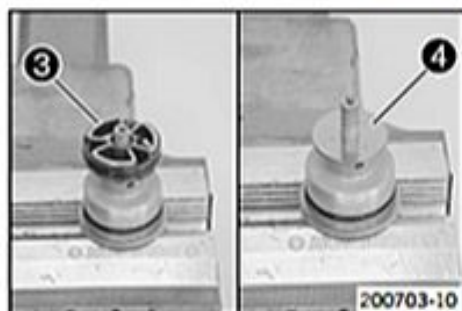
- Disassemble the fork legs. (☛ p. 17)

Main work

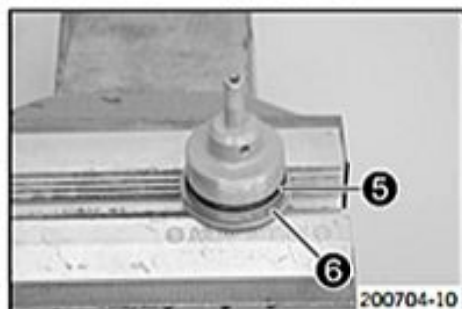
- Clamp the compression damping fitting in a bench vise using soft jaws.



- Remove nut 1.
- Remove the spring.
- Remove washer 2.



- Remove piston 3.
- Remove shim stack 4.



- Remove O-ring 5 and seal ring 6 from the compression damping fitting.
- Extract the compression damping fitting.

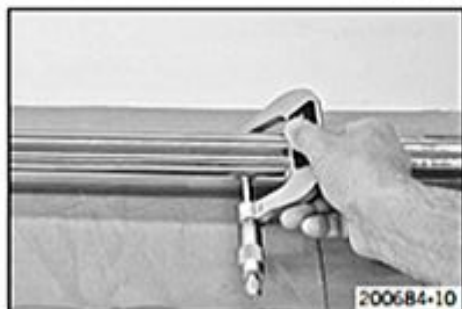
6.1.16 Checking the fork legs

Condition

The fork legs must be disassembled.



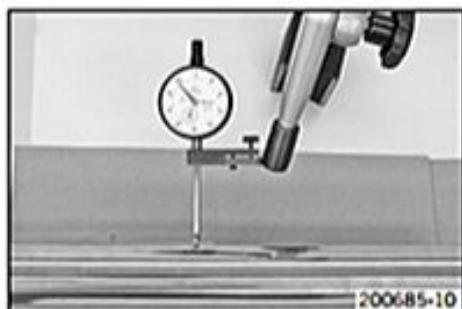
- Check the inner tube and axle clamp for damage.
 - If there is damage:
 - Change the inner tube.



- Measure the outside diameter at several locations on the inner tube.

Outside diameter of the inner tube	47.975... 48.005 mm (1.88878... 1.88996 in)
------------------------------------	---

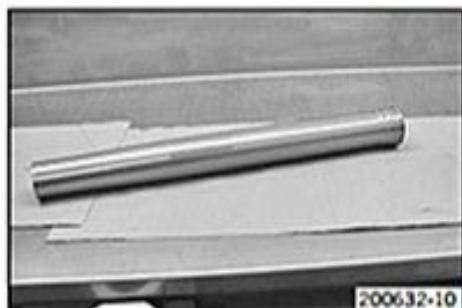
- If the measured value is below the specified value:
 - Change the inner tube.



- Measure the run-out of the inner tube.

Inner tub run-out	≤ 0.20 mm (≤ 0.0079 in)
-------------------	-------------------------

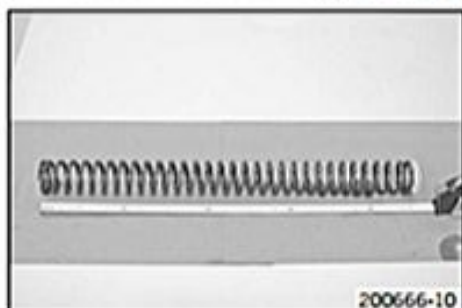
- If the measured value is greater than the specified value:
 - Change the inner tube.



- Check the outer tube for damage.
 - If there is damage:
 - Change the outer tube.



- Check the surface of the sliding bushing.
 - If the bronze-colored layer **A** under the sliding layer **B** is visible:
 - Replace the sliding bushing.



- Check the spring length.

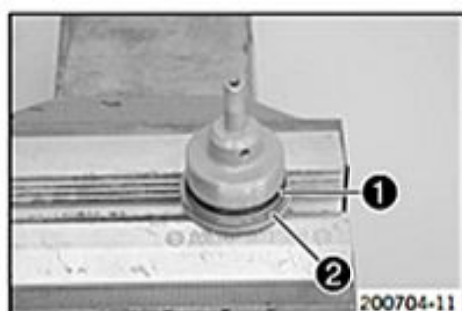
Guideline

Spring length with preload spacer(s)	
Weight of rider: 65... 75 kg (143... 165 lb.)	513 mm (20.2 in)
Weight of rider: 75... 85 kg (165... 187 lb.)	513 mm (20.2 in)
Weight of rider: 85... 95 kg (187... 209 lb.)	513 mm (20.2 in)

- ▶ If the measured value is greater than the specified value:
 - Reduce the thickness of the preload spacer.
- ▶ If the measured value is less than the specified value:
 - Increase the thickness of the preload spacer.

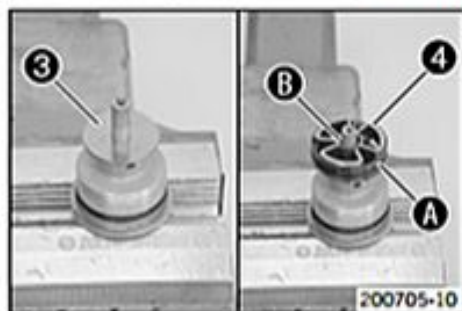
6.1.17 Assembling the compression damping fitting

i Info
The steps are identical for both fork legs.



- Clamp the compression damping fitting in a bench vise using soft jaws.
- Mount O-ring ① and seal ring ②.
- Grease the O-ring.

Lubricant (T158) (☛ p. 307)



- Mount shim stack ③.

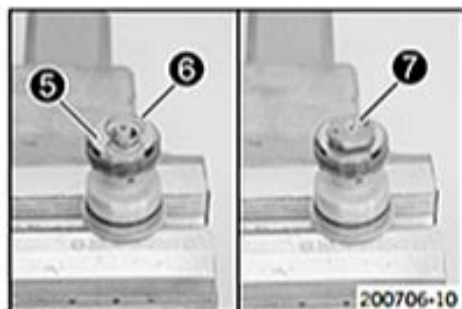
i Info
Mount the smaller shims below.

- Mount pistons ④ with O-ring ①.

i Info
The side with the largest inside diameter ⑧ faces upward.

- Grease the piston O-ring.

Fork oil (SAE 4) (48601166S1) (☛ p. 306)



- Mount washer ⑤.
- Mount spring ⑥ with the tighter coil facing downward.
- Mount and tighten nut ⑦.

Guideline

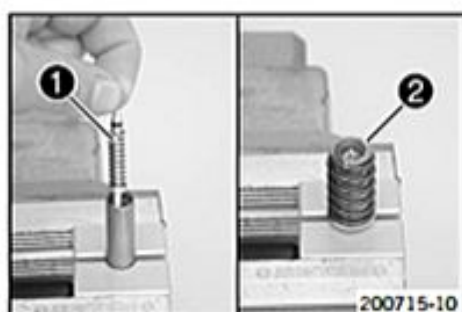
Compression damping fitting nut	M6x0.5	3 Nm (2.2 lbf ft)
---------------------------------	--------	-------------------

i Info
The washer ⑤ must have freedom of movement relative to the spring force.

- Secure the nut by locking.
- Extract the compression damping fitting.

6.1.18 Assembling the cartridge

i Info
The steps are identical for both fork legs.



- Clamp in the piston rod.

Clamping stand (T14016S) (☛ p. 320)

- Mount valve ① of the rebound damping, with the spring and O-ring.
- Grease the O-ring.

Lubricant (T158) (☛ p. 307)

- Mount spring ②.



- Grease tap rebound (3) O-ring.

Lubricant (T158) (☛ p. 307)

- Mount and tighten the tap rebound.

Guideline

Tap rebound	M9x1	18 Nm (13.3 lbf ft)	Loctite® 2701™
-------------	------	------------------------	----------------

- Position spring (4).



- Mount shim stack (5).

i Info

Mount the smaller shims below.

- Press the shim stack downward against the spring force.

i Info

The shim stack must be pressed downward over the collar.

- Mount piston (6) with the piston ring.

i Info

The side with the largest inside diameter faces downward.



- Mount shim stack (7).

i Info

Align the triangular plate exactly with the piston opening.

- Mount and tighten nut (8).

Guideline

Tap rebound nut	M6x0.5	5 Nm (3.7 lbf ft)
-----------------	--------	-------------------

i Info

Mount the nut with the collar facing downward.

- Secure the nut by locking.

- Degrease the cartridge and clamp using the special tool.

Clamping stand (T14015S) (☛ p. 320)



- Mount and tighten screwsleeve (9).

Guideline

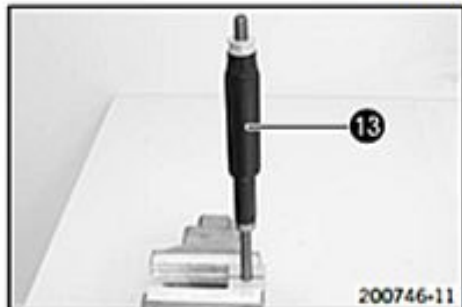
Screwsleeve	M29x1	46 Nm (33.9 lbf ft)	Loctite® 241
-------------	-------	------------------------	--------------



- Mount washer (10) and spring seat (11).



- Push piston rod 12 into the cartridge.



- Screw on fluid barrier 13 to the stop.



Info

The fluid barrier must be screwed on tightly against the stop. Do not use a tool.

6.1.19 Assembling the fork legs



Info

The steps are identical for both fork legs.

Preparatory work

- Check the fork legs. (☞ p. 22)
- Assemble the cartridge. (☞ p. 24)
- Assemble the compression damping fitting. (☞ p. 24)

Main work

- Clamp in the inner tube with the axle clamp.

Guideline

Use soft jaws.

- Install the special tool.

Protecting sleeve (T1401) (☞ p. 320)

- Grease and slide on dust boot 1.

Lubricant (T511) (☞ p. 307)



Info

Always change the dust boot, seal ring, lock ring, and support ring. Mount the sealing lip with the spring expander facing downward.

- Slide on lock ring 2.
- Grease and slide on seal ring 3.

Lubricant (T511) (☞ p. 307)



Info

The sealing lip should face downward and the open side upward.

- Slide on support ring 4.
- Remove the special tool.





- Roughen, clean, and grease the edges of the sliding bushings using 600 grit sandpaper.

Fork oil (SAE 4) (48601166S1) (☛ p. 306)



- Slide on lower sliding bushing ⑤.
- Mount upper sliding bushing ⑥.

i Info

Gently pull them apart without using any tool.



- Slide on the outer tube.
- Warm up the outer tube in the lower sliding bushing area of A.

Guideline

50 °C (122 °F)

- Hold the lower sliding bushing with the longer shoulder of the special tool.

Assembly tool (T1402S) (☛ p. 321)

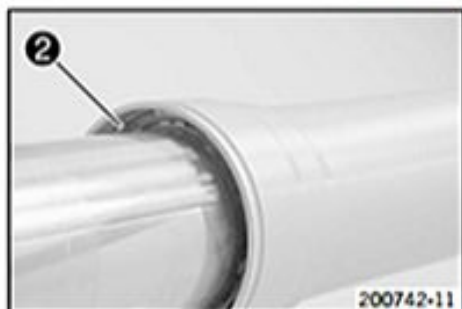
- Press the outer tube all the way in.



- Position the support ring.
- Hold the seal ring with the shorter shoulder of the special tool.

Assembly tool (T1402S) (☛ p. 321)

- Press the outer tube all the way in.



- Mount lock ring ②.

i Info

The lock ring must audibly lock into place.



- Install dust boot ①.
- Mount fork protector ring B.



- Mount adjustment tube **7** of the rebound damping in the cartridge.
 - ✓ The adjustment tube extends 5 mm (0.197 in) out from the cartridge and can be pressed inward against the spring force.
 - ✗ The adjustment tube extends more than 7 mm (0.276 in) out from the cartridge and cannot be pressed inward against the spring force.
- Screw on water excluder **C** to the stop.

Info
The water excluder must be screwed on tightly against the stop. Do not use a tool.

- Mount the special tool on the cartridge.

Gripping tool (T14026S1) (☛ p. 320)

Info
The special tool must be used in order that the adjustment tube is not raised. Otherwise, oil will reach the piston rod.



- Push the cartridge into the inner tube.
- Mount and tighten compression damping fitting **8**.

Guideline

Compression damping fitting	M29x1	35 Nm (25.8 lbf ft)
-----------------------------	-------	------------------------

Info
If the cartridge turns as well, press the piston rod slightly to the side.



- Clamp in the fork vertically.
- Fill with fork oil.

Fork oil per fork leg	618 ml (20.89 fl. oz.)	Fork oil (SAE 4) (48601166S1) (☛ p. 306)
-----------------------	---------------------------	---

Info
Pull out the piston rod and push back in a number of times to bleed the cartridge.



- Remove pin **D** of the special tool.

Gripping tool (T14026S1) (☛ p. 320)

- Pull out the piston rod. Install the spring. Reinstall the pin.

Guideline

Spring rate	
Weight of rider: 65... 75 kg (143... 165 lb.)	4.2 N/mm (24 lb/in)
Weight of rider: 75... 85 kg (165... 187 lb.)	4.4 N/mm (25.1 lb/in)
Weight of rider: 85... 95 kg (187... 209 lb.)	4.6 N/mm (26.3 lb/in)

- Pull the spring downward. Place the special tool on the hexagonal part.

Open-end wrench (T14032) (☛ p. 321)

- Remove the special tool.

Gripping tool (T14026S1) (☛ p. 320)





- Clamp the special tool in the bench vise.
- Grease the thread of the piston rod.

Lubricant (T159) (☛ p. 307)

- Grease the upper edge **E** of the piston rod.

Lubricant (T158) (☛ p. 307)

- Screw the **Preload Adjuster** with preload spacer onto the piston rod.

i Info

The **Preload Adjuster** must be screwed in all the way before the piston rod also begins to turn. In case of tight piston rod threads, it must be held to keep it from turning. If the **Preload Adjuster** is not screwed in all the way, the rebound adjustment will not function.

- Tighten the **Preload Adjuster**.

Guideline

Preload Adjuster on the piston rod	M12x1	25 Nm (18.4 lbf ft)
---	-------	------------------------

- Take pressure off of the special tool. Pull the spring downward and remove the special tool.



- Push the outer tube upward.
- Clamp the outer tube in the area of lower triple clamp.

Clamping stand (T1403S) (☛ p. 321)

- Grease the **Preload Adjuster** O-ring.

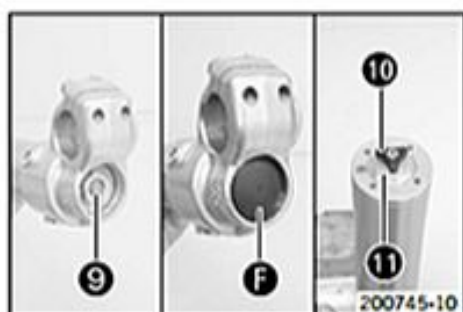
Lubricant (T158) (☛ p. 307)

- Screw on and tighten the **Preload Adjuster**.

Guideline

Preload Adjuster on the outer tube	M51x1.5	50 Nm (36.9 lbf ft)
---	---------	------------------------

Pin wrench (T103) (☛ p. 317)



Alternative 1

- Turn adjusting screw of compression damping **9** and adjusting screw of rebound damping **10** clockwise all the way.
- Turn counterclockwise by the number of clicks corresponding to the fork type.

Guideline

Rebound damping	
Comfort	20 clicks
Standard	18 clicks
Sport	16 clicks
Compression damping	
Comfort	22 clicks
Standard	20 clicks
Sport	18 clicks

- Turn the adjusting screw of spring preload **11** counterclockwise all the way.
- Turn clockwise by the number of turns corresponding to the fork type.

Guideline

Spring preload - Preload Adjuster	
Comfort	1 turn
Standard	2 turns
Sport	2 turns

Alternative 2



Warning

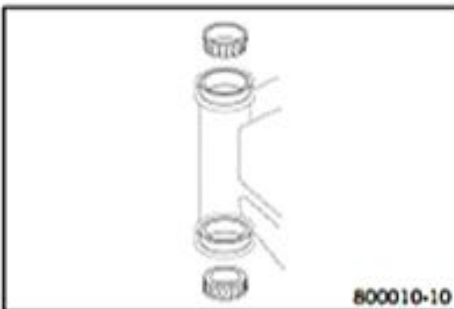
Danger of accident Modifications to the suspension setting may seriously alter the handling characteristic.

Extreme modifications to the suspension setting may cause a serious deterioration in the handling characteristic and overload components.

- Only make adjustments within the recommended range.
- Ride slowly to start with after making adjustments to get the feel of the new handling characteristic.

- Set the adjusting screws to the position determined before removal.
- Mount protective cover **F**.

6.1.20 Greasing the steering head bearing



- Remove the lower triple clamp. (☛ p. 30)
- Install the lower triple clamp. (☛ p. 31)

6.1.21 Removing the lower triple clamp

Preparatory work

- Remove the headlight mask with the headlight. (☛ p. 98)
- Raise the motorcycle with the lift stand. (☛ p. 11)
- Remove the front wheel. (☛ p. 102)
- Remove the fork legs. (☛ p. 35)
- Remove the front fender. (☛ p. 98)
- Remove the handlebar cushion.

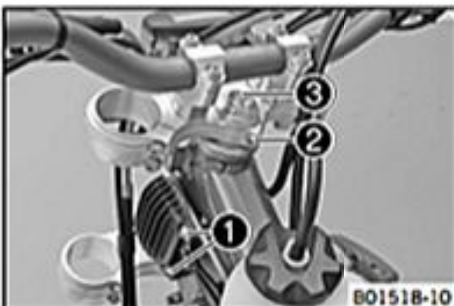
Main work

- Open the cable holder in front of the right radiator and detach the wiring harness.
- Remove screws **1** and hang the voltage regulator to one side.
- Release screw **2** and remove screw **3**. Take off the upper triple clamp with the handlebar and set it aside.



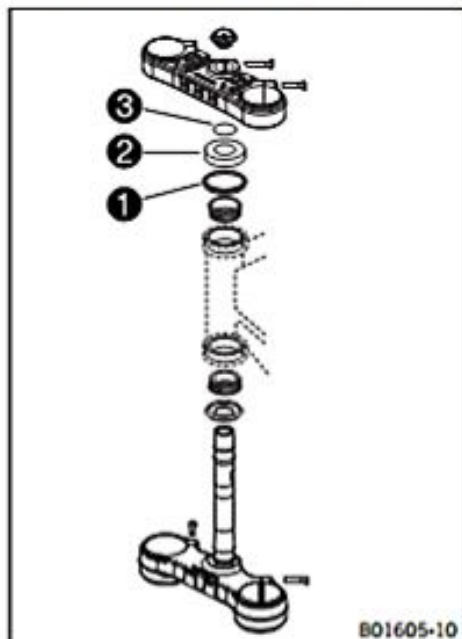
Info

Protect the components against damage by covering them. Do not bend the cables and lines.



- Remove O-ring **4**. Remove protective ring **5**.
- Take off the lower triple clamp with the steering stem.
- Remove the upper steering head bearing.

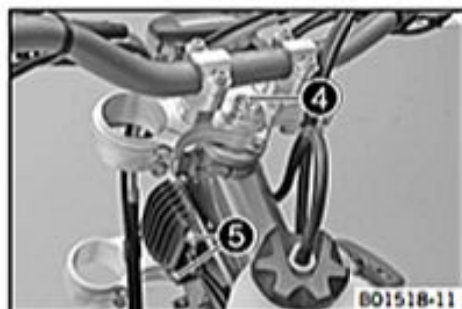
6.1.22 Installing the lower triple clamp

**Main work**

- Clean the bearing and sealing elements, check for damage, and grease.

High viscosity grease (☛ p. 307)

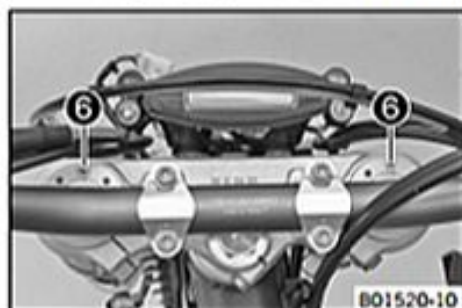
- Insert the lower triple clamp with the steering stem. Mount the upper steering head bearing.
- Check whether the upper steering head seal ① is correctly positioned.
- Slide on protective ring ② and O-ring ③.



- Position the upper triple clamp with the handlebar.
- Mount screw ④ but do not tighten yet.
- Position the clutch line, wiring harness, and voltage regulator. Mount and tighten screws ⑤.

Guideline

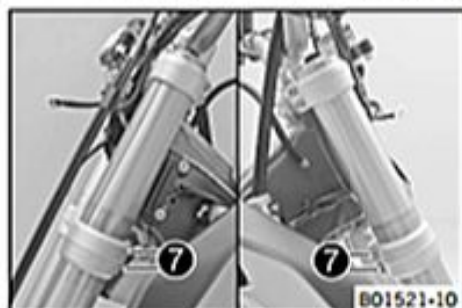
Remaining screws, chassis	M6	10 Nm (7.4 lbf ft)
---------------------------	----	--------------------



- Position the fork legs.
- ✓ Bleeder screws ⑥ face forward.

i Info

Grooves are milled into the side of the upper end of the fork legs. The second milled groove (from the top) must be flush with the top edge of the upper triple clamp.

**(EXC EU/AUS, XC-W)**

- Tighten screws ⑦.

Guideline

Screw, bottom triple clamp	M8	15 Nm (11.1 lbf ft)
----------------------------	----	------------------------

**(EXC USA)**

- Tighten screws ⑦.

Guideline

Screw, bottom triple clamp	M8	15 Nm (11.1 lbf ft)
----------------------------	----	------------------------



- Tighten screw 4.

Guideline

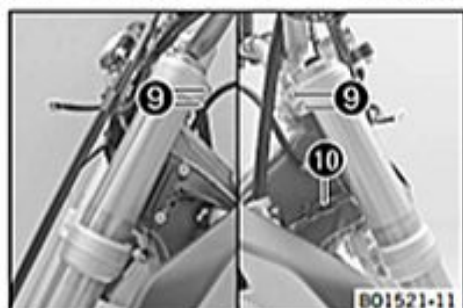
Screw, top steering head	M20x1.5	12 Nm (8.9 lbf ft)
--------------------------	---------	--------------------



- Tighten screw 8.

Guideline

Screw, top steering stem	M8	20 Nm (14.8 lbf ft)
--------------------------	----	------------------------



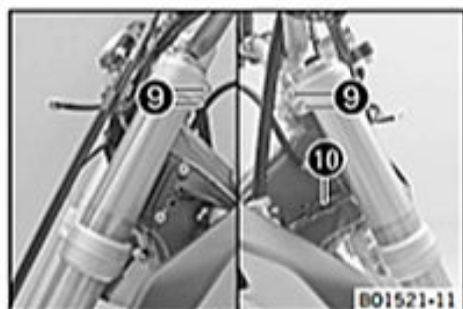
(EXC EU/AUS, XC-W)

- Tighten screws 9.

Guideline

Screw, top triple clamp	M8	20 Nm (14.8 lbf ft)
-------------------------	----	------------------------

- Secure the wiring harness with cable holder 10.



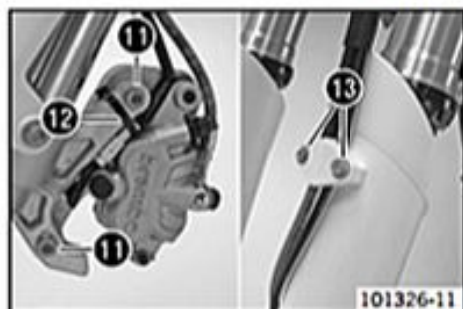
(EXC USA)

- Tighten screws 9.

Guideline

Screw, top triple clamp	M8	20 Nm (14.8 lbf ft)
-------------------------	----	------------------------

- Secure the wiring harness with cable holder 10.



- Position the brake caliper. Mount and tighten screws 11.

Guideline

Screw, front brake caliper	M8	25 Nm (18.4 lbf ft)	Loctite® 243™
----------------------------	----	------------------------	---------------

- Mount cable binder 12.
- Position the brake line, wiring harness, and clamp. Mount and tighten screws 13.

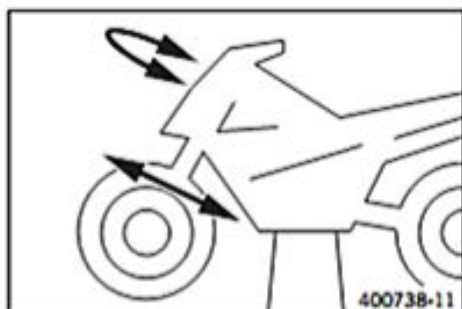
Finishing work

- Mount the handlebar cushion.
- Install the front fender. (☛ p. 98)
- Install the front wheel. (☛ p. 102)
- Refit the headlight mask with the headlight. (☛ p. 99)
- Check that the wiring harness, throttle cables and brake and clutch lines can move freely and are routed correctly.
- Check the steering head bearing play. (☛ p. 33)
- Remove the motorcycle from the lift stand. (☛ p. 11)
- Check the headlight setting. (☛ p. 125)

6.1.23 Checking the steering head bearing play

- Warning**
Danger of accidents Unstable vehicle handling from incorrect steering head bearing play.
- Adjust the steering head bearing play without delay.

- Info**
 If the bike is ridden with play in the steering head bearing, the bearing and the bearing seats in the frame can become damaged over time.



Preparatory work

- Raise the motorcycle with the lift stand. (☛ p. 11)

Main work

- Move the handlebar to the straight-ahead position. Move the fork legs to and fro in the direction of travel.

No play should be noticeable in the steering head bearing.

- If there is noticeable play present:
 - Adjust the play of the steering head bearing. (☛ p. 33)
- Move the handlebar to and fro over the entire steering range.

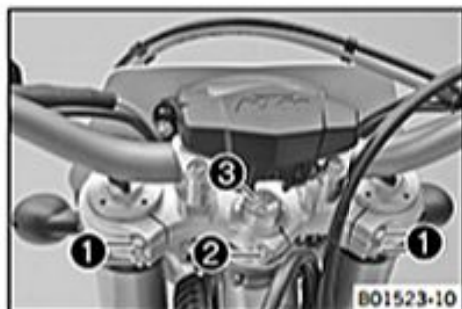
The handlebar must be able to move easily over the entire steering range. No resting locations should be noticeable.

- If click positions are noticeable:
 - Adjust the play of the steering head bearing. (☛ p. 33)
 - Check the steering head bearing and replace if required.

Finishing work

- Remove the motorcycle from the lift stand. (☛ p. 11)

6.1.24 Adjusting the play of the steering head bearing



Preparatory work

- Raise the motorcycle with the lift stand. (☛ p. 11)

Main work

- Loosen screws ① and ②.
- Loosen and retighten screw ③.

Guideline

Screw, top steering head	M20x1.5	12 Nm (8.9 lbf ft)
--------------------------	---------	--------------------

- Using a plastic hammer, tap lightly on the upper triple clamp to avoid strains.
- Tighten screws ①.

Guideline

Screw, top triple clamp	M8	20 Nm (14.8 lbf ft)
-------------------------	----	------------------------

- Tighten screw ②.

Guideline

Screw, top steering stem	M8	20 Nm (14.8 lbf ft)
--------------------------	----	------------------------

Finishing work

- Check the steering head bearing play. (☛ p. 33)
- Remove the motorcycle from the lift stand. (☛ p. 11)

6.2 EXC SIX DAYS

6.2.1 Adjusting the compression damping of the fork

i **Info**
The hydraulic compression damping determines the fork suspension behavior.



- Turn the white adjusting screw ③ all the way clockwise.

i **Info**
Adjusting screw ③ is located at the upper end of the left fork leg. The compression damping is located in the left fork leg **COMP** (white adjusting screw). The rebound damping is located in the right fork leg **REB** (red adjusting screw).

- Turn back counterclockwise by the number of clicks corresponding to the fork type.

Guideline	
Compression damping	
Comfort	15 clicks
Standard	13 clicks
Sport	11 clicks

i **Info**
Turn clockwise to increase damping; turn counterclockwise to reduce damping.

6.2.2 Adjusting the rebound damping of the fork

i **Info**
The hydraulic rebound damping determines the fork suspension behavior.



- Turn the red adjusting screw ② all the way clockwise.

i **Info**
Adjusting screw ② is located at the upper end of the right fork leg. The rebound damping is located in the right fork leg **REB** (red adjusting screw). The compression damping is located in the left fork leg **COMP** (white adjusting screw).

- Turn back counterclockwise by the number of clicks corresponding to the fork type.

Guideline	
Rebound damping	
Comfort	15 clicks
Standard	13 clicks
Sport	11 clicks

i **Info**
Turn clockwise to increase damping; turn counterclockwise to reduce damping.

6.2.3 Bleeding fork legs

Preparatory work

- Raise the motorcycle with the lift stand. (☛ p. 11)

Finishing work

- Remove the motorcycle from the lift stand. (☛ p. 11)

6.2.4 Cleaning the dust boots of the fork legs

Preparatory work

- Raise the motorcycle with the lift stand. (☛ p. 11)
- Loosen the fork protector. (☛ p. 35)

**Main work**

- Push dust boot ① down on both fork leg.

**Info**

The dust boots remove dust and coarse dirt particles from the inside fork tubes. Over time, dirt can penetrate behind the dust boots. If this dirt is not removed, the oil seals behind can start to leak.

**Warning**

Danger of accidents Reduced braking efficiency due to oil or grease on the brake discs.

- Always keep the brake discs free of oil and grease, and clean them with brake cleaner when necessary.

- Clean and lubricate the dust boot and inside fork tube on both fork legs.

Universal oil spray (☞ p. 308)

- Press the dust boots back into the installation position.
- Remove excess oil.

Finishing work

- Position the fork protector. (☞ p. 35)
- Remove the motorcycle from the lift stand. (☞ p. 11)

6.2.5 Loosening the fork protector

- Remove screws ① and remove the clamp.
- Remove screws ② on the left fork leg. Push the fork protector downwards.
- Remove the screws on the right fork leg. Push the fork protector downwards.

6.2.6 Positioning the fork protector

- Position the fork protector on the left fork leg. Mount and tighten screws ①.

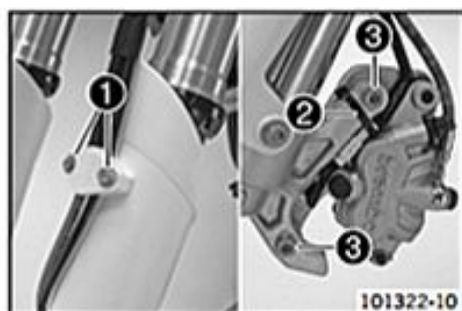
Guideline

Remaining screws, chassis	M6	10 Nm (7.4 lbf ft)
---------------------------	----	--------------------

- Position the wiring harness.
- Position the brake line. Put the clamp on, and mount and tighten screws ②.
- Position the fork protector on the right fork leg. Mount and tighten the screws.

Guideline

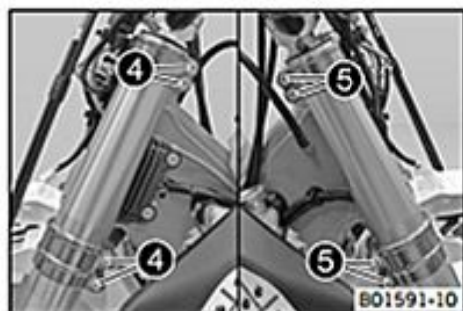
Remaining screws, chassis	M6	10 Nm (7.4 lbf ft)
---------------------------	----	--------------------

6.2.7 Removing the fork legs**Preparatory work**

- Remove the headlight mask with the headlight. (☞ p. 98)
- Raise the motorcycle with the lift stand. (☞ p. 11)
- Remove the front wheel. (☞ p. 102)

Main work

- Remove screws ① and take off the clamp.
- Remove cable binder ②.
- Remove screws ③ and take off the brake caliper.
- Allow the brake caliper and brake line to hang tension-free to the side.



- Release screws ④. Take out the left fork leg.
- Release screws ⑤. Take out the right fork leg.

6.2.8 Installing the fork legs



Main work

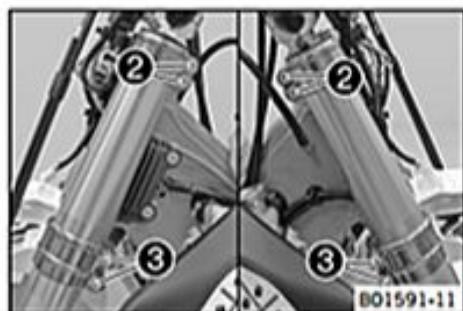
- Position the fork legs.
- ✓ Bleeder screws ① are positioned toward the front.



Info

The rebound damping is located in the right fork leg **REB** (red adjusting screw). The compression damping is located in the left fork leg **COMP** (white adjusting screw).

Grooves are milled into the side of the upper end of the fork legs. The second milled groove (from the top) must be flush with the top edge of the upper triple clamp.



- Tighten screws ②.

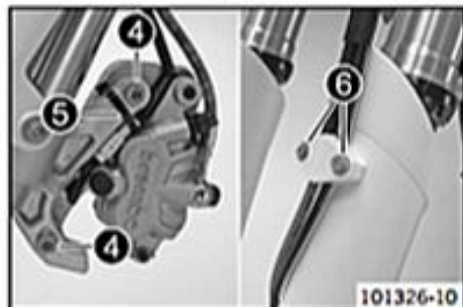
Guideline

Screw, top triple clamp	M8	17 Nm (12.5 lbf ft)
-------------------------	----	------------------------

- Tighten screws ③.

Guideline

Screw, bottom triple clamp	M8	15 Nm (11.1 lbf ft)
----------------------------	----	------------------------



- Position the brake caliper and mount and tighten screws ④.

Guideline

Screw, front brake caliper	M8	25 Nm (18.4 lbf ft)	Loctite® 243™
----------------------------	----	------------------------	---------------

- Mount cable binder ⑤.
- Position the brake line, wiring harness, and clamp. Mount and tighten screws ⑥.

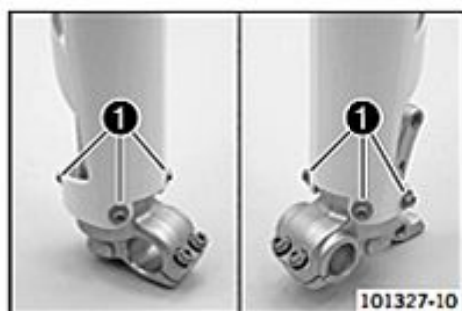
Finishing work

- Install the front wheel. (☞ p. 102)
- Refit the headlight mask with the headlight. (☞ p. 99)
- Check the headlight setting. (☞ p. 125)

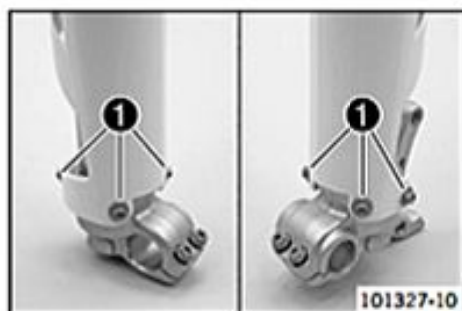
6.2.9 Removing the fork protector

Preparatory work

- Remove the headlight mask with the headlight. (☞ p. 98)
- Raise the motorcycle with the lift stand. (☞ p. 11)
- Remove the front wheel. (☞ p. 102)
- Remove the fork legs. (☞ p. 35)

**Main work**

- Remove screws ❶ on the left fork leg. Remove the fork protector upwards.
- Remove the screws on the right fork leg. Remove the fork protector upwards.

6.2.10 Installing the fork protector**Main work**

- Position the fork protector on the left fork leg. Mount and tighten screws ❶.

Guideline

Remaining screws, chassis	M6	10 Nm (7.4 lbf ft)
---------------------------	----	--------------------

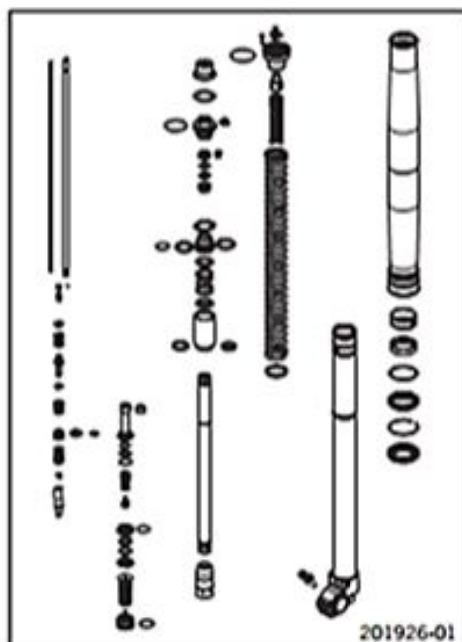
- Position the fork protector on the right fork leg. Mount and tighten the screws.

Guideline

Remaining screws, chassis	M6	10 Nm (7.4 lbf ft)
---------------------------	----	--------------------

Finishing work

- Install the fork legs. (☞ p. 36)
- Install the front wheel. (☞ p. 102)
- Refit the headlight mask with the headlight. (☞ p. 99)
- Check the headlight setting. (☞ p. 125)

6.2.11 Performing a fork service**Condition**

The fork legs have been removed.

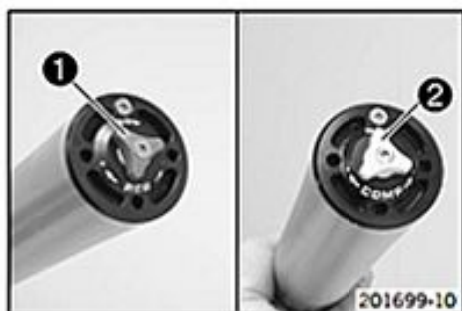
- Disassemble the fork legs. (☞ p. 37)
- Remove the spring. (☞ p. 39)
- Disassemble the cartridge. (☞ p. 40)
- Disassemble the piston rod. (☞ p. 41)
- Disassemble the hydrostop unit. (☞ p. 42)
- Disassemble the seal ring retainer. (☞ p. 43)
- Check the fork legs. (☞ p. 43)
- Assemble the seal ring retainer. (☞ p. 44)
- Assemble the hydrostop unit. (☞ p. 45)
- Assemble the piston rod. (☞ p. 45)
- Assemble the cartridge. (☞ p. 47)
- Assemble the fork legs. (☞ p. 48)

6.2.12 Disassembling the fork legs**Info**

The steps are identical for both fork legs.

Condition

The fork legs are disassembled.



- Note down the current state of rebound damping **1** REB (red adjuster of right fork leg).
- Note down the current state of compression damping **2** COMP (white adjuster of left fork leg).
- Fully open the adjusters of the rebound and compression damping.



- Clamp the fork leg in the area of the lower triple clamp.

Clamping stand (T1403S) (☛ p. 321)

- Remove the screw. Remove adjuster **3**.



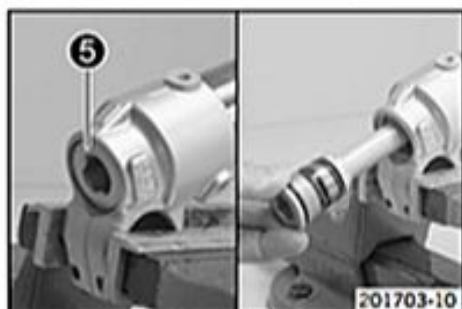
- Release screw cap **4**.

Special socket (T14047) (☛ p. 321)

i **Info**
The cartridge cannot be taken off yet.



- Unclamp the fork leg.
- Push the outer tube down. Drain the fork oil.



- Clamp the fork leg with the axle clamp.
- Release hydrostop unit **5** and remove it.

i **Info**
Do not use an impact wrench.
Place a pan underneath since oil will run out.



- Remove the cartridge from the fork leg.

Press-out tool (T14051) (☛ p. 322)

i **Info**
Removing the O-ring seat from the cartridge usually requires the application of force.

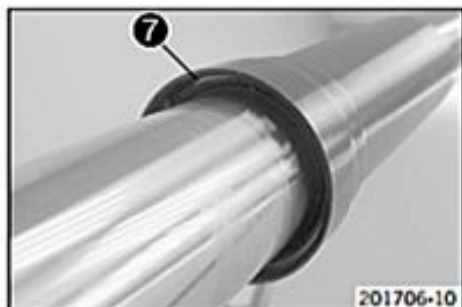


- Remove dust boot ⑥.
- Remove fork protection ring A.



Info

The fork protection ring does not necessarily need to be removed for repair work.

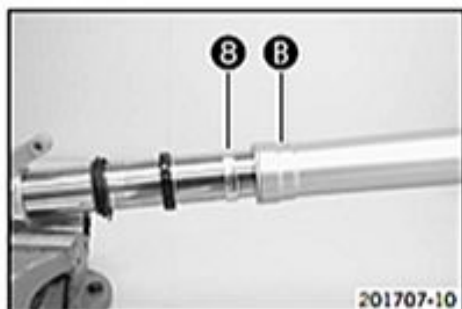


- Remove lock ring ⑦.



Info

The lock ring has a ground end against which a screwdriver can be positioned.



- Warm the outer tube in area B of the lower sliding bushing.

Guideline

50 °C (122 °F)

- Pull the outer tube forcefully off of the inner tube.



Info

The lower sliding bushing ⑧ must be pulled out of its bearing seat.



- Remove the upper sliding bushing ⑨.



Info

Do not use a tool; pull the ends apart slightly by hand.



- Take off the lower sliding bushing ⑧.
- Take off support ring ⑩.
- Take off seal ring ⑪.
- Take off lock ring ⑦.
- Take off dust boot ⑥.
- Unclamp the fork leg.

6.2.13 Removing the spring



Info

The steps are identical for both fork legs.

Preparatory work

- Disassemble the fork legs. (☛ p. 37)



Main work

- Pull the spring down. Mount the open end wrench on the hexagonal part.



- Clamp the open end wrench in the vise. Release screw cap ① but do not remove it yet.

Special socket (T14047) (☞ p. 321)



- Pull the spring down. Remove the open end wrench.
- Remove the screw cap.
- Remove the spring with the preload spacer(s).

6.2.14 Disassembling the cartridge



Info

The steps are identical for both fork legs.

Preparatory work

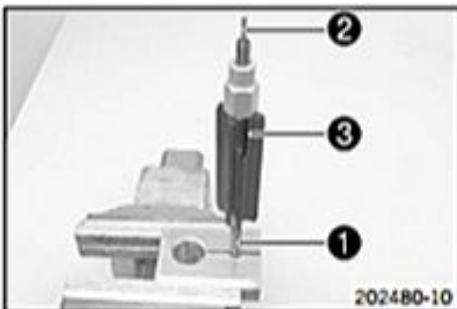
- Disassemble the fork legs. (☞ p. 37)
- Remove the spring. (☞ p. 39)

Main work

- Degrease piston rod ① and clamp it in the vise.

Clamping stand (T14049S) (☞ p. 322)

- Remove adjusting tube ②. Unscrew spring guide ③.



- Remove spring seat ④.
- Pull the piston rod out of the cartridge.





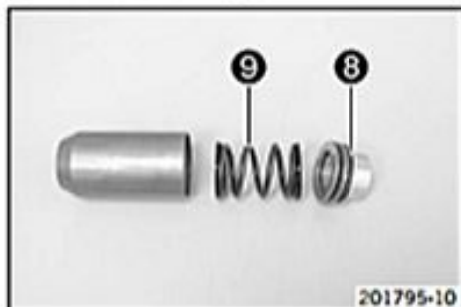
- Clamp the tube of the cartridge into a vise.

Clamping stand (T14049S) (☛ p. 322)

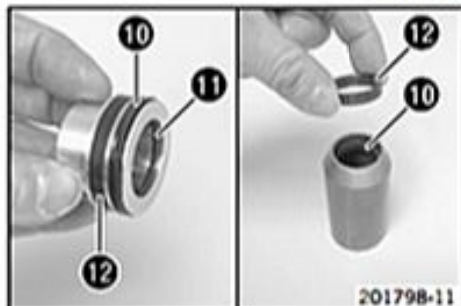
- Release seal ring retainer (5) and remove with the washer.



- Remove lock ring (6).
- Pull reservoir (7) off of the tube.



- Pull sleeve (8) out of the reservoir.
- Remove spring (9).



- Remove seal rings (10) and O-ring (11).
- Remove pilot bushings (12).

6.2.15 Disassembling the piston rod



Info

The steps are identical for both fork legs, except for the hydrostop needle and valve.

Preparatory work

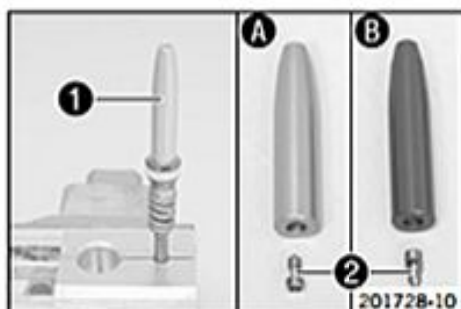
- Disassemble the fork legs. (☛ p. 37)
- Remove the spring. (☛ p. 39)
- Disassemble the cartridge. (☛ p. 40)

Main work

- Degrease the piston rod.
- Clamp the piston rod with the special tool as far up as possible.

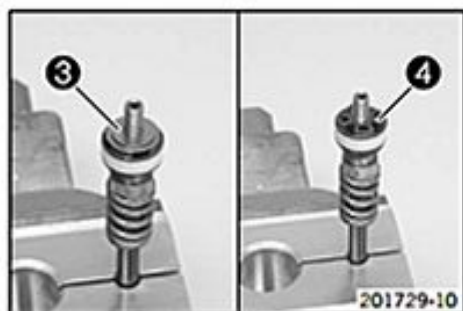
Clamping stand (T14049S) (☛ p. 322)

- Release hydrostop needle (1) and remove it from the piston rod.
- ✓ The valve (2) usually remains in the hydrostop needle.

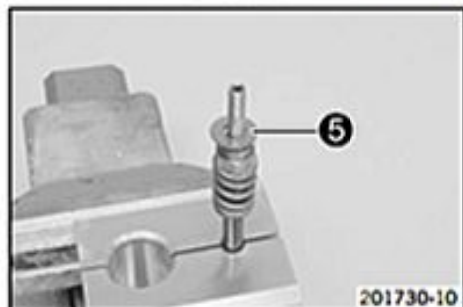


Info

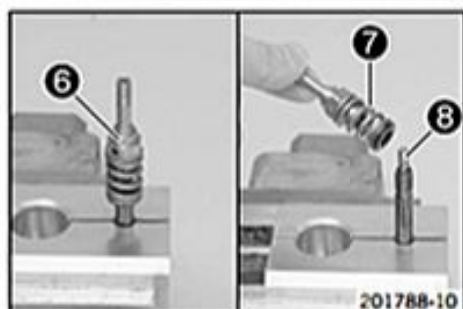
- A – silver hydrostop needle on compression damping side.
- B – red hydrostop needle on rebound damping side.



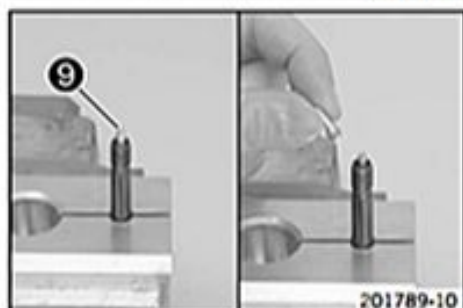
- Remove the rebound shim stack ③.
- Remove piston ④.



- Remove the compression shim stack ⑤.
- Remove spring.



- Remove adapter ⑥ with spring ⑦ and washer.
- Remove spring ⑧.



- Remove valve needle ⑨ from the piston rod.


Info

The adjusting tube can be used for this.

6.2.16 Disassembling the hydrostop unit


Info

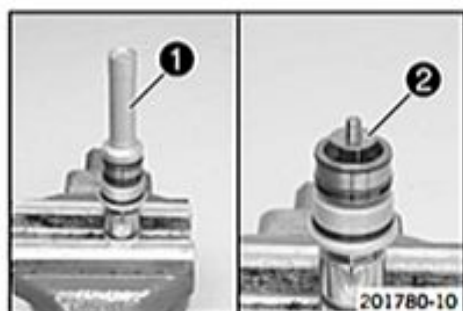
The steps are identical for both fork legs.

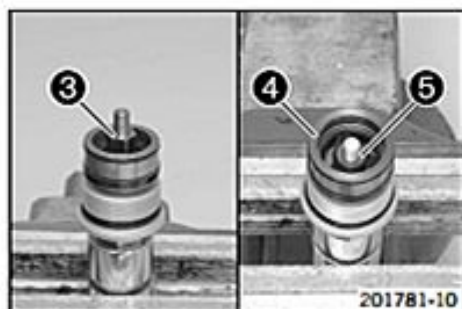
Preparatory work

- Disassemble the fork legs. (☛ p. 37)

Main work

- Mount the hydrostop unit on a fitting hexagon socket and clamp into a vice.
- Remove sleeve ①.
- Remove shim stack ②.



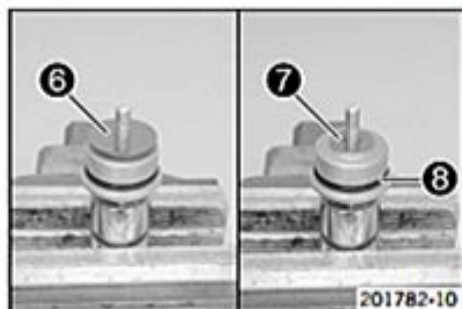


- Remove adapter ③.
- Remove hub ④ with washers ⑤.

i Info

It is possible that only one washer or no washer is present.

- Remove the O-ring from the hub.



- Remove shim stack ⑥.
- Remove washer ⑦.
- Remove O-ring ⑧.

6.2.17 Disassembling the seal ring retainer



Info

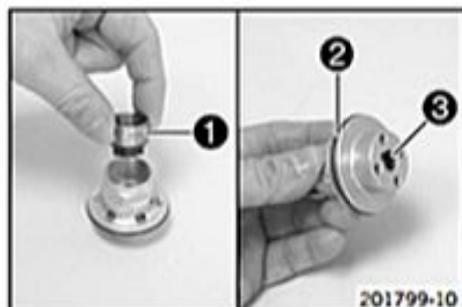
The steps are identical for both fork legs.

Preparatory work

- Disassemble the fork legs. (☛ p. 37)
- Remove the spring. (☛ p. 39)
- Disassemble the cartridge. (☛ p. 40)

Main work

- Remove pilot bushing support ①.
- Remove O-ring ② and seal ring ③.

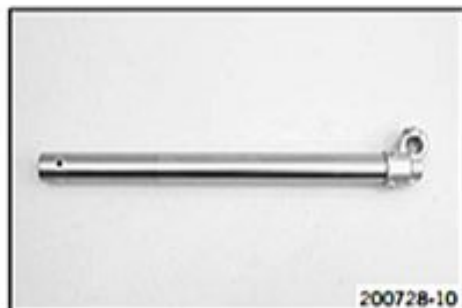


6.2.18 Checking the fork legs

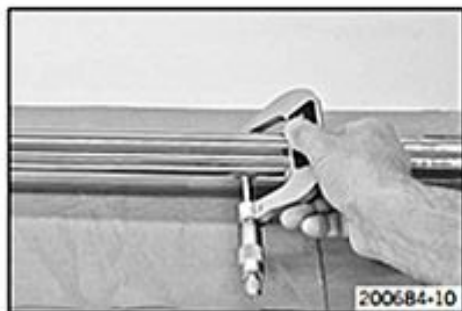
Condition

The fork legs have been disassembled.

- Check the inner tube and axle clamp for damage.
 - If there is damage:
 - Change the inner tube.



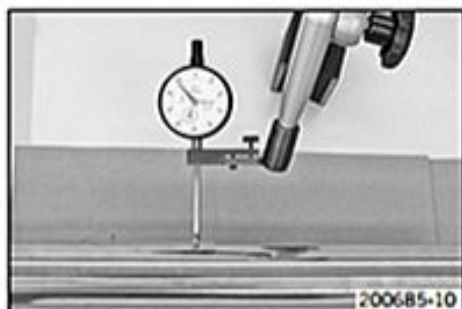
200728-10



- Measure the outside diameter at multiple locations of the inner tube.

Outside diameter of inner tube	47.975... 48.005 mm (1.88878... 1.88996 in)
--------------------------------	---

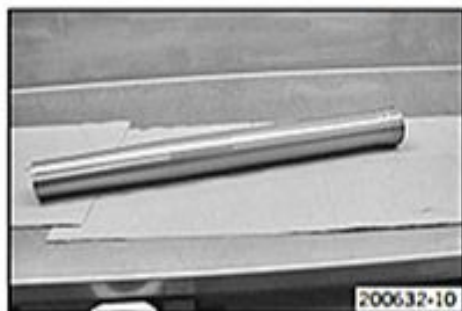
- If the measured value is smaller than the specified value:
 - Change the inner tube.



- Measure the run-out of the inner tube.

Inner tube run-out	≤ 0.20 mm (≤ 0.0079 in)
--------------------	-------------------------

- If the measured value is larger than the specified value:
 - Change the inner tube.



- Measure the inside diameter at multiple locations of the outer tube.

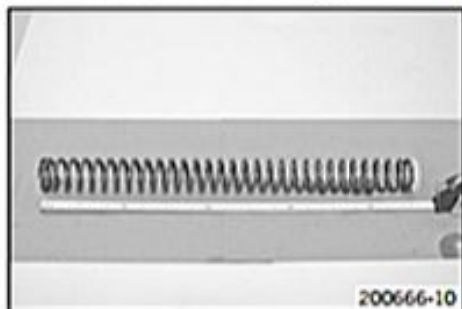
Inside diameter of outer tube	≤ 49.20 mm (≤ 1.937 in)
-------------------------------	-------------------------

- If the measured value is larger than the specified value:
 - Change the outer tube.
- Check the outer tube for damage.
 - If there is damage:
 - Change the outer tube.



- Check the surface of the sliding bushings.

- If the bronze-colored layer **A** under sliding layer **B** is visible or the surface is rough:
 - Change the sliding bushings.



- Check the spring length.

Guideline

Spring length with preload spacer(s)	472 mm (18.58 in)
--------------------------------------	-------------------

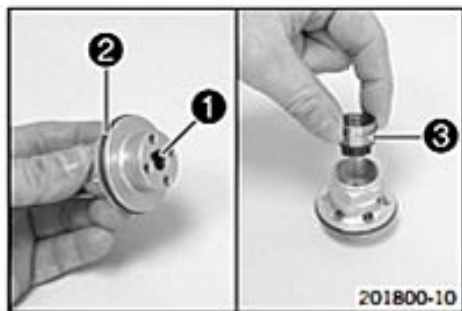
- If the measured value is larger than the specified value:
 - Reduce the thickness of the preload spacers.
- If the measured value is smaller than the specified value:
 - Increase the thickness of the preload spacers.

6.2.19 Assembling the seal ring retainer



Info

The steps are identical for both fork legs.



- Mount and grease seal ring ①.

Lubricant (T158) (☛ p. 307)

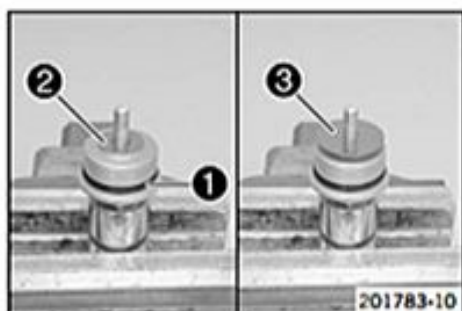
- Mount and grease O-ring ②.

Lubricant (T158) (☛ p. 307)

- Position pilot bushing support ③.

6.2.20 Assembling the hydrostop unit

i Info
The steps are identical for both fork legs.

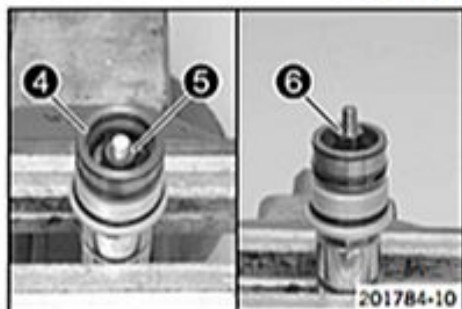


- Mount and grease O-ring ①.

Lubricant (T158) (☛ p. 307)

- Mount washer ②.

- Mount shim stack ③ with the smaller washers facing downward.



- Mount the new O-ring on hub ④.

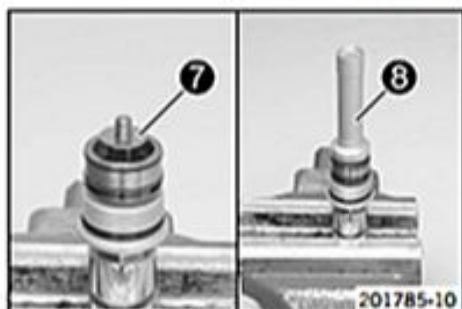
- Mount the hub with washers ⑤.

i Info
It is possible that only one or no washer is present.

- Mount and tighten adapter ⑥.

Guideline

Hydrostop unit adapter	M6x0.5	7 Nm (5.2 lbf ft)
------------------------	--------	-------------------

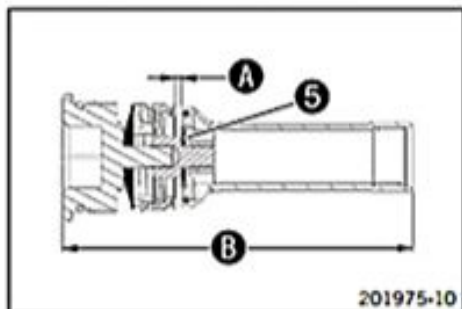


- Mount shim stack ⑦ with the smaller washers facing downward.

- Mount and tighten sleeve ⑧.

Guideline

Hydrostop unit sleeve	M6x0.5	7 Nm (5.2 lbf ft)
-----------------------	--------	-------------------



- Check distance ① and total length ② of the hydrostop.

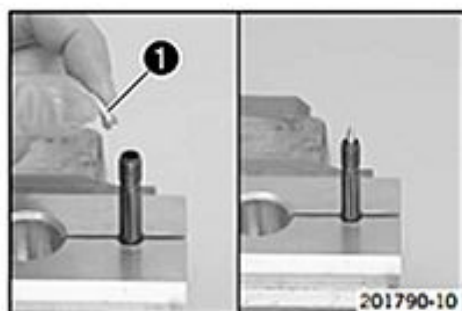
Guideline

Hydrostop distance	≥ 1.5 mm (≥ 0.059 in)
Hydrostop length	108.5... 109.5 mm (4.272... 4.311 in)

- If the dimensions are out of tolerance:
 - Add or remove washers ⑤.

6.2.21 Assembling the piston rod

i Info
The steps are identical for both fork legs, except for the hydrostop needle and valve.

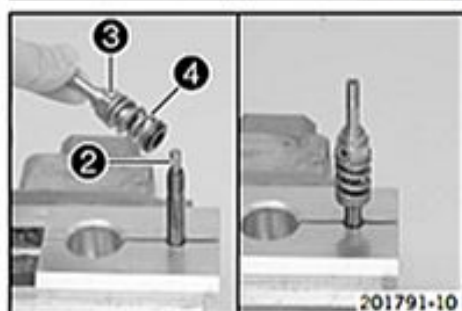


- Degrease the piston rod.
- Clamp the piston rod with the special tool.

Clamping stand (T14049S) (☞ p. 322)

- Lubricate the O-ring. Mount valve needle 1 in the piston rod.

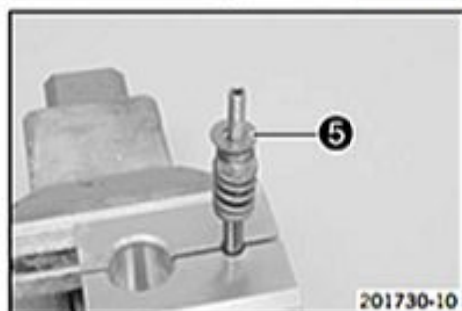
Lubricant (T158) (☞ p. 307)



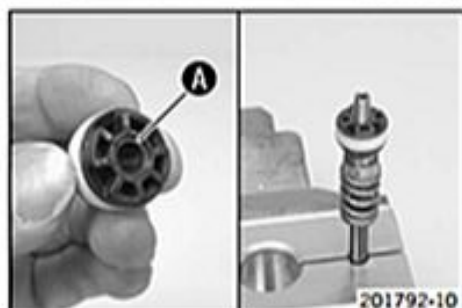
- Mount spring 2.
- Mount and tighten adapter 3 with spring 4 and washer.

Guideline

Adapter of piston rod	M6x0.5	12 Nm (8.9 lbf ft)
-----------------------	--------	--------------------



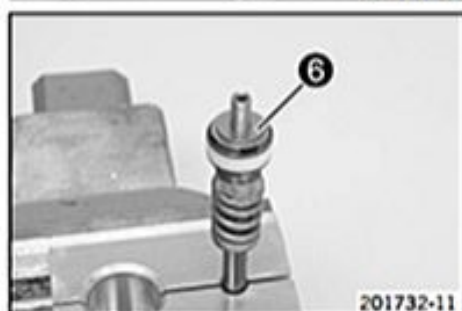
- Position the spring.
- Mount the compression shim stack 5 with the smaller washers facing downward.



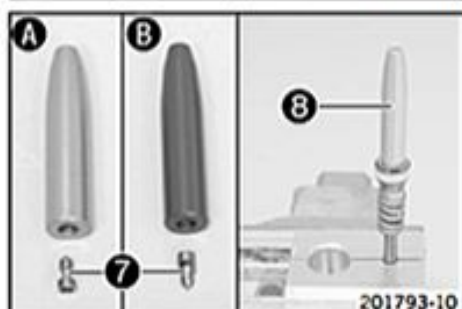
- Grind the piston on both sides on a surfacing plate using 1200 grit sandpaper.
- Clean the piston.
- Lubricate the piston ring.

Fork oil (SAE 4) (48601166S1) (☞ p. 306)
--

- Mount the piston with chamfer A facing down.



- Mount the rebound shim stack 6 with the smaller washers facing upward.



- Press the piston downward against the spring.
✓ The piston should not squeeze the shims.
- Position valve 7 in the hydrostop needle 8. Mount and tighten the hydrostop needle.

Guideline

Hydrostop needle on piston rod	M6x0.5	7 Nm (5.2 lbf ft)
--------------------------------	--------	-------------------



Info

A – silver hydrostop needle on compression damping side.

B – red hydrostop needle on rebound damping side.

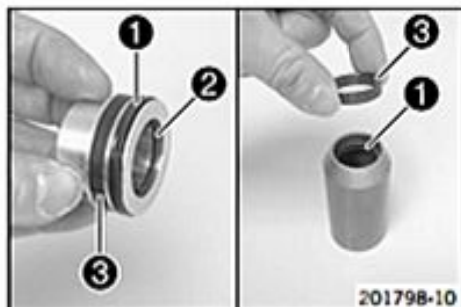
- Unclamp the piston rod.

6.2.22 Assembling the cartridge



Info

The steps are identical for both fork legs.



201798-10

Preparatory work

- Assemble the seal ring retainer. (☞ p. 44)
- Assemble the piston rod. (☞ p. 45)

Main work

- Mount and grease seal rings ① and O-ring ②.

Lubricant (T158) (☞ p. 307)

- Mount and lubricate pilot bushings ③.

Fork oil (SAE 4) (48601166S1) (☞ p. 306)
--



201795-11

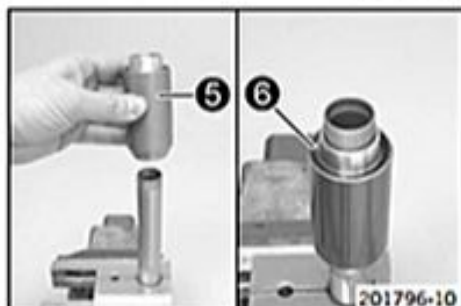
- Check the length of the reservoir spring.

Guideline

Reservoir spring length with preload spacer	46 mm (1.81 in)
---	-----------------

- If the length is out of tolerance:
 - Correct the preload spacers.

- Position the spring with the preload spacers in the reservoir.
- Position sleeve ④ in the reservoir.



201796-10

- Clamp the tube of the cartridge into a vise.

Clamping stand (T14049S) (☞ p. 322)

- Slide reservoir ⑤ onto the tube.



Info

Hold the sleeve in the reservoir to prevent it from sliding out.

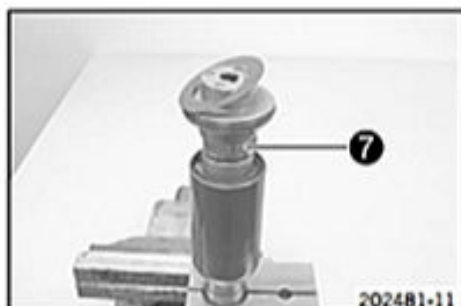
- Mount lock ring ⑥.

- Mount seal ring retainer ⑦ with the washer and tighten.

Guideline

Seal ring retainer	M23.5x0.75	46 Nm (33.9 lbf ft)	Loctite® 2701™
--------------------	------------	------------------------	----------------

- Unclamp the cartridge.



202481-11

- Slide piston rod ⑧ into the cartridge.



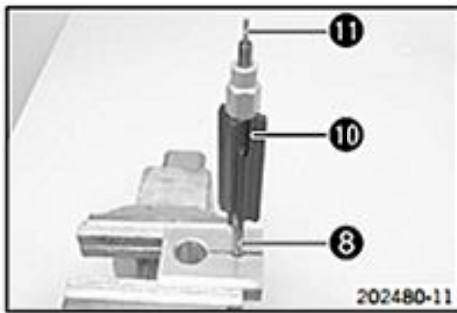
Info

Ensure that the piston ring is seated correctly.

- Mount spring seat ⑨.



201797-10



- Degrease piston rod 8 and clamp in the vise.

Clamping stand (T14049S) (☞ p. 322)

- Screw spring guide 10 all the way on.



Info

The nut must be firmly tightened against the stop by hand. Do not use a tool.

- Mount adjusting tube 11.
- Unclamp the piston rod. Mount the preload spacer(s).

6.2.23 Assembling the fork legs

i Info
 When assembling, ensure that the right cartridge is mounted in the corresponding inner tube and the right adjuster is mounted on the corresponding screw cap.
 Compression damping side – screw cap with mark **COMP**, brake caliper holder, white adjuster.
 Rebound damping side – screw cap with mark **REB**, no brake caliper holder, red adjuster.



Preparatory work

- Assemble the hydrostop unit. (☞ p. 45)

Main work

- Clamp the inner tube with the axle clamp.

Guideline

Use soft jaws.

- Mount special tool.

Protecting sleeve (T1401) (☞ p. 320)

- Lubricate and mount dust boot 1.

Lubricant (T511) (☞ p. 307)



Info

Always change the dust boot, seal ring, lock ring and support ring. Mount the sealing lip with the spring expander facing downward.

- Slide on lock ring 2.
- Lubricate and slide on seal ring 3.

Lubricant (T511) (☞ p. 307)



Info

Mount with the sealing lip facing down and the open side facing up.

- Slide on support ring 4.
- Remove the special tool.
- Grind the edges of the sliding bushings with sandpaper grit 600, clean the bushings and lubricate them.

Fork oil (SAE 4) (48601166S1) (☞ p. 306)





- Slide on the lower sliding bushing **5**.
- Mount the upper sliding bushing **6**.



Info

Do not use a tool; pull the ends apart slightly by hand.



- Warm the outer tube in area **A** of the lower sliding bushing.

Guideline

50 °C (122 °F)

- Slide the outer tube onto the inner tube.
- Hold the lower sliding bushing with the longer section of the special tool.

Mounting tool (T14040S) (☛ p. 321)

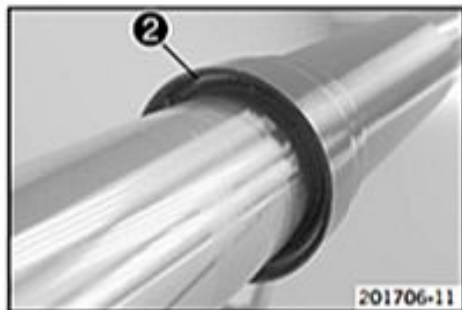
- Push the sliding bushing all the way into the outer tube.



- Position the support ring.
- Hold the seal ring with the shorter section of the special tool.

Mounting tool (T14040S) (☛ p. 321)

- Push the seal ring and support ring all the way into the outer tube.

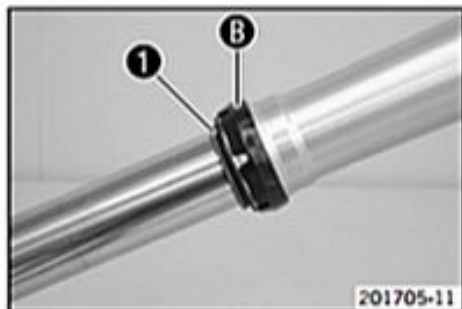


- Mount lock ring **2**.



Info

The lock ring must engage audibly.



- Mount dust boot **1**.
- Mount fork protection ring **B**.



- Lubricate the O-ring. Slide the cartridge all the way into the fork leg.

Fork oil (SAE 4) (48601166S1) (☛ p. 306)



201719-10

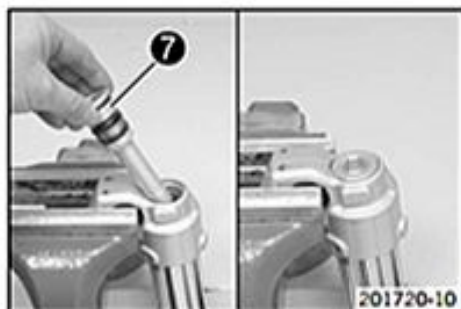
- Turn the fork. Have the entire filling quantity of fork oil available.

Oil capacity per fork leg	635 ml (21.47 fl. oz.)	Fork oil (SAE 4) (48601166S1) (☛ p. 306)
---------------------------	------------------------	--

- Add some of the fork oil while pulling out and pushing in the piston rod numerous times.

Guideline

Fork oil quantity	510 ml (17.24 fl. oz.)
-------------------	------------------------



201720-10

- Mount and tighten hydrostop unit 7.

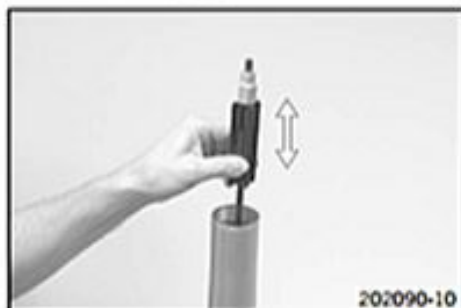
Guideline

Hydrostop unit	M30x1	40 Nm (29.5 lbf ft)
----------------	-------	---------------------



202091-10

- Clamp the fork vertically.
- Add the remaining quantity of fork oil.

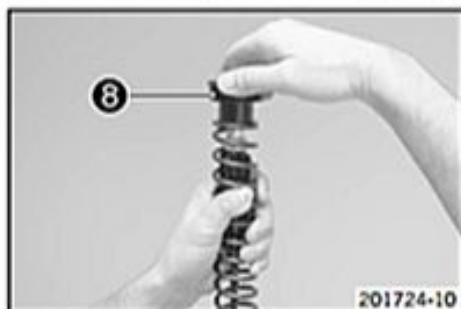


202090-10

- Pull out the piston rod and push it back in numerous times while pressing it to one side slightly.
 - ✓ Air bubbles emerge and the cartridge is bled.
- Keep bleeding until no more air bubbles emerge.
 - ✓ The piston rod moves out automatically to the middle of the total stroke distance.

i Info

When fully bled, the correct air chamber length is achieved automatically.



201724-10

- Position spring.
- Pull the spring down. Mount screw cap 8.

i Info

When assembling, ensure that the screw caps are correctly mounted according to the hydrostop needles.
 Rebound damping side – red hydrostop needle, screw cap with mark **REB**.
 Compression damping side – silver hydrostop needle, screw cap with mark **COMP**.



201722-10

- Pull the spring down. Mount the open end wrench on the hexagonal part.
- Hold the open end wrench. Tighten screw cap 8.

Guideline

Screw cap on piston rod	M8x0.75	18 Nm (13.3 lbf ft)
-------------------------	---------	---------------------

Special socket (T14047) (☛ p. 321)



- Push the outer tube up.
- Clamp the outer tube in the area of the lower triple clamp.

Clamping stand (T1403S) (☛ p. 321)

- Tighten screw cap (8).

Guideline

Cartridge on outer tube	M5x1.5	40 Nm (29.5 lbf ft)
-------------------------	--------	------------------------

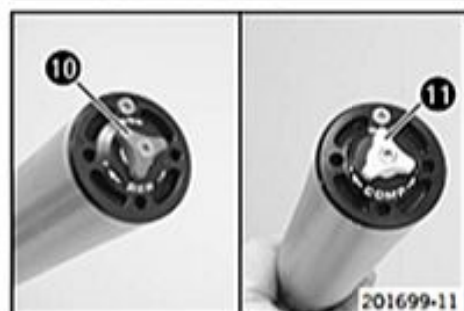
Special socket (T14047) (☛ p. 321)



- Mount the adjuster. Mount and tighten screw (9).

Guideline

Screw, adjuster	M4x0.5	2.5 Nm (1.84 lbf ft)
-----------------	--------	-------------------------



Alternative 1

- Turn the adjuster of compression damping (10) (mark **COMP**) and the adjuster of rebound damping (11) (mark **REB**) all the way clockwise.

Guideline

Rebound damping	
Comfort	15 clicks
Standard	13 clicks
Sport	11 clicks
Compression damping	
Comfort	15 clicks
Standard	13 clicks
Sport	11 clicks

- Turn counterclockwise by the number of clicks corresponding to the fork type.

Alternative 2



Warning

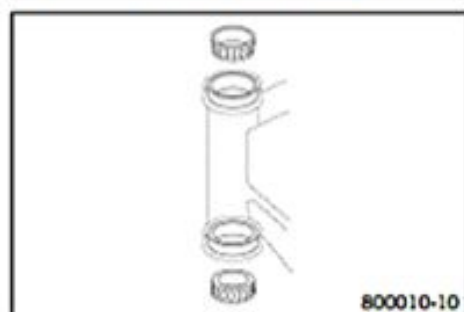
Danger of accident Modifications to the suspension setting may seriously alter the handling characteristic.

Extreme modifications to the suspension setting may cause a serious deterioration in the handling characteristic and overload components.

- Only make adjustments within the recommended range.
- Ride slowly to start with after making adjustments to get the feel of the new handling characteristic.

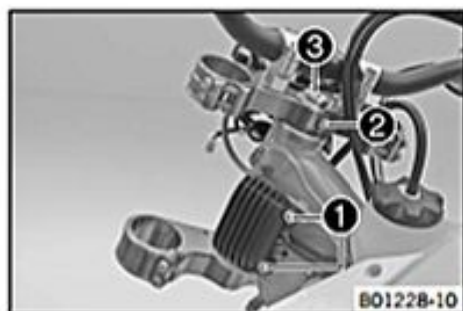
- Set the adjusters to the positions determined upon removal.

6.2.24 Greasing the steering head bearing



- Remove the lower triple clamp. (☛ p. 52)
- Install the lower triple clamp. (☛ p. 52)

6.2.25 Removing the lower triple clamp



Preparatory work

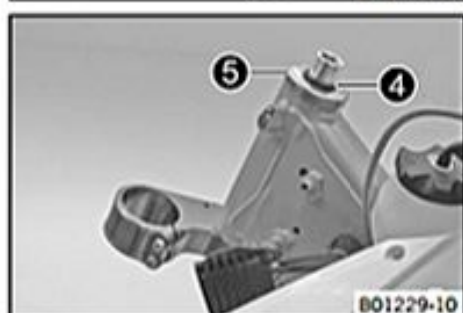
- Remove the headlight mask with the headlight. (☛ p. 98)
- Raise the motorcycle with the lift stand. (☛ p. 11)
- Remove the front wheel. (☛ p. 102)
- Remove the fork legs. (☛ p. 35)
- Remove the front fender. (☛ p. 98)
- Remove the handlebar cushion.

Main work

- Open the cable holder in front of the right radiator and detach the wiring harness.
- Remove screws 1 and hang the voltage regulator to the side.
- Remove screw 2. Remove screw 3. Take off the upper triple clamp with the handlebar and set it aside.

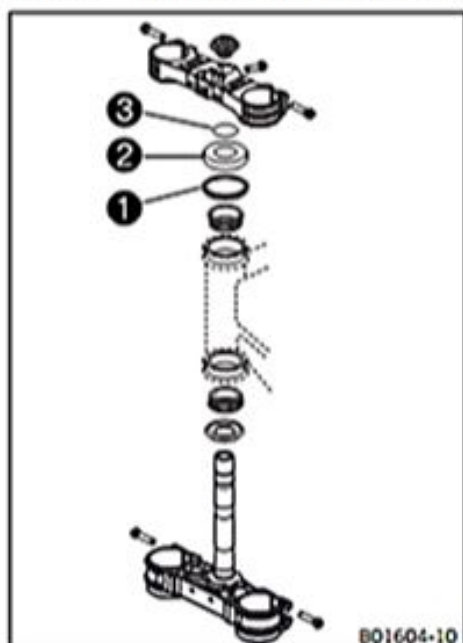
Info

Protect the components against damage by covering them.
Do not bend the cables and lines.



- Remove O-ring 4. Remove protective ring 5.
- Take off the lower triple clamp with the steering stem.
- Remove the upper steering head bearing.

6.2.26 Installing the lower triple clamp

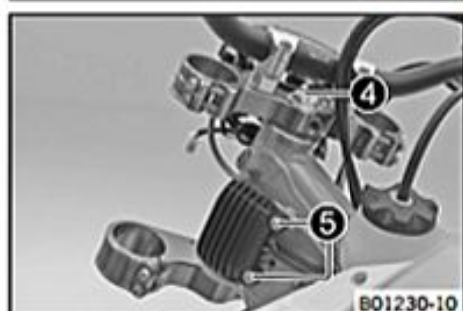


Main work

- Clean the bearing and sealing elements, check for damage, and grease.

High viscosity grease (☛ p. 307)

- Insert the lower triple clamp with the steering stem. Mount the upper steering head bearing.
- Check whether the upper steering head seal 1 is correctly positioned.
- Slide on protective ring 2 and O-ring 3.



- Position the upper triple clamp with the handlebar.
- Mount screw 4 but do not tighten yet.
- Position the clutch line, wiring harness, and voltage regulator. Mount and tighten screws 5.

Guideline

Remaining screws, chassis	M6	10 Nm (7.4 lbf ft)
---------------------------	----	--------------------



- Position the fork legs.
- ✓ Position bleeder screws 6 toward the front.

**Info**

The rebound damping is located in the right fork leg **REB** (red adjusting screw). The compression damping is located in the left fork leg **COMP** (white adjusting screw).

Grooves are milled into the side of the upper end of the fork legs. The second milled groove (from the top) must be flush with the top edge of the upper triple clamp.



- Tighten screws 7.

Guideline

Screw, bottom triple clamp	M8	15 Nm (11.1 lbf ft)
----------------------------	----	------------------------



- Tighten screw 4.

Guideline

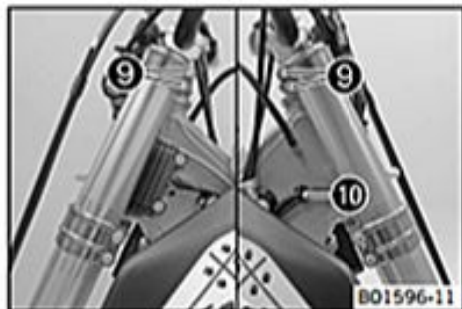
Screw, top steering head	M20x1.5	12 Nm (8.9 lbf ft)
--------------------------	---------	--------------------



- Mount and tighten screw 8.

Guideline

Screw, top steering stem	M8	17 Nm (12.5 lbf ft)	Loctite® 243™
--------------------------	----	------------------------	---------------

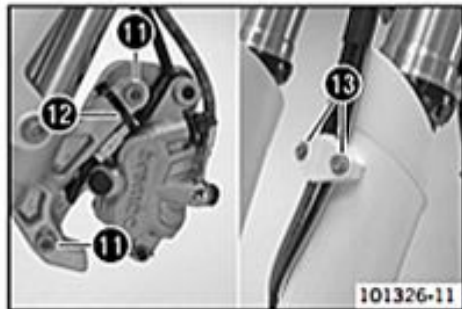


- Tighten screws 9.

Guideline

Screw, top triple clamp	M8	17 Nm (12.5 lbf ft)
-------------------------	----	------------------------

- Secure the wiring harness with cable holder 10.



- Position the brake caliper. Mount and tighten screws 11.

Guideline

Screw, front brake caliper	M8	25 Nm (18.4 lbf ft)	Loctite® 243™
----------------------------	----	------------------------	---------------

- Mount cable binder 12.

- Position the brake line, wiring harness, and clamp. Mount and tighten screws 13.

Finishing work

- Mount the handlebar cushion.
- Install the front fender. (☞ p. 98)
- Install the front wheel. (☞ p. 102)
- Refit the headlight mask with the headlight. (☞ p. 99)
- Check that the wiring harness, throttle cables and brake and clutch lines can move freely and are routed correctly.
- Check the steering head bearing play. (☞ p. 54)
- Remove the motorcycle from the lift stand. (☞ p. 11)
- Check the headlight setting. (☞ p. 125)

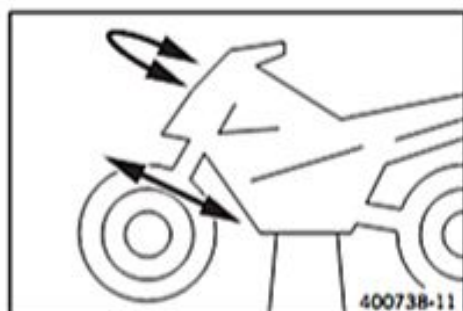
6.2.27 Checking the steering head bearing play**Warning**

Danger of accidents Unstable vehicle handling from incorrect steering head bearing play.

- Adjust the steering head bearing play without delay.

**Info**

If the bike is ridden with play in the steering head bearing, the bearing and the bearing seats in the frame can become damaged over time.

**Preparatory work**

- Raise the motorcycle with the lift stand. (☞ p. 11)

Main work

- Move the handlebar to the straight-ahead position. Move the fork legs to and fro in the direction of travel.

No play should be noticeable in the steering head bearing.

- If there is noticeable play present:
 - Adjust the play of the steering head bearing. (☞ p. 54)
- Move the handlebar to and fro over the entire steering range.

The handlebar must be able to move easily over the entire steering range. No resting locations should be noticeable.

- If click positions are noticeable:
 - Adjust the play of the steering head bearing. (☞ p. 54)
 - Check the steering head bearing and replace if required.

Finishing work

- Remove the motorcycle from the lift stand. (☞ p. 11)

6.2.28 Adjusting the play of the steering head bearing**Preparatory work**

- Raise the motorcycle with the lift stand. (☞ p. 11)

Main work

- Release screws ①. Remove screw ②.
- Loosen and retighten screw ③.

Guideline

Screw, top steering head	M20x1.5	12 Nm (8.9 lbf ft)
--------------------------	---------	--------------------

- Using a plastic hammer, tap lightly on the upper triple clamp to avoid strains.
- Tighten screws ①.

Guideline

Screw, top triple clamp	M8	17 Nm (12.5 lbf ft)
-------------------------	----	------------------------

- Mount and tighten screw ②.

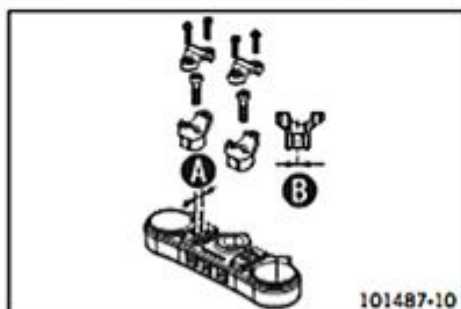
Guideline

Screw, top steering stem	M8	17 Nm (12.5 lbf ft)	Loctite® 243™
--------------------------	----	------------------------	---------------

Finishing work

- Check the steering head bearing play. (☛ p. 54)
- Remove the motorcycle from the lift stand. (☛ p. 11)

7.1 Handlebar position



On the upper triple clamp, there are two holes at a distance of **A** to each other.

Hole distance A	15 mm (0.59 in)
------------------------	-----------------

The holes on the handlebar supports are placed at a distance of **B** from the center.

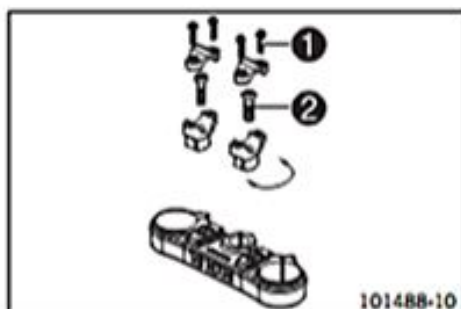
Hole distance B	3.5 mm (0.138 in)
------------------------	-------------------

The handlebar supports can be mounted in four different positions.

7.2 Adjusting handlebar position

Warning
Danger of accidents Handlebar breakage.

- If the handlebar is bent or straightened it will cause material fatigue, and the handlebar can break. Always replace handlebar.



- Remove screws **1**. Take off the handlebar clamps. Remove the handlebar and lay it to one side.

Info
 Cover the components to protect them against damage.
 Do not bend the cables and lines.

- Remove screws **2**. Take off the handlebar supports.
- Place the handlebar supports in the required position. Mount and tighten screws **2**.

Guideline

Screw, handlebar holder	M10	40 Nm (29.5 lbf ft)	Loctite® 243™
-------------------------	-----	------------------------	---------------

Info
 Position the left and right handlebar supports evenly.

- Position the handlebar.

Info
 Make sure the cables and wiring are positioned correctly.

- Position the handlebar clamps. Mount and tighten screws **1** evenly.

Guideline

Screw, handlebar clamp	M8	20 Nm (14.8 lbf ft)
------------------------	----	------------------------

Info
 Make sure the gap width is even.

7.3 Adjusting the basic position of the clutch lever



- Adjust the basic setting of the clutch lever to your hand size by turning adjusting screw **1**.

Info
 Turn the adjusting screw clockwise to increase the distance between the clutch lever and the handlebar.
 Turn the adjusting screw counterclockwise to decrease the distance between the clutch lever and the handlebar.
 The range of adjustment is limited.
 Turn the adjusting screw by hand only, and do not apply any force.
 Do not make any adjustments while riding!

7.4 Checking the throttle cable routing



Preparatory work

- Remove the seat. (☛ p. 89)
- Remove the fuel tank. (☛ p. 90)

Main work

(EXC EU/AUS, EXC SIX DAYS, XC-W)

- Check the throttle cable routing.

Both throttle cables must be routed side by side behind the handlebars and above the fuel tank bearing to the throttle valve body.

- If the throttle cable is not routed as specified:
 - Correct the throttle cable routing.



(EXC USA)

- Check the throttle cable routing.

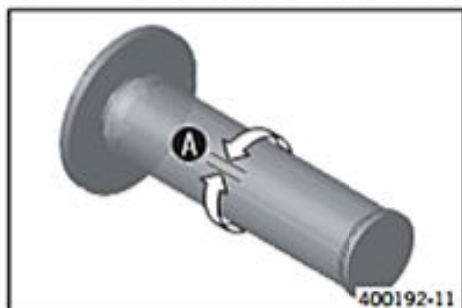
Both throttle cables must be routed side by side behind the handlebars and above the fuel tank bearing to the throttle valve body.

- If the throttle cable is not routed as specified:
 - Correct the throttle cable routing.

Finishing work

- Install the fuel tank. (☛ p. 91)
- Mount the seat. (☛ p. 90)

7.5 Checking the play in the throttle cable



- Check the throttle grip for smooth operation.
- Move the handlebar to the straight-ahead position. Move the throttle grip back and forth slightly to ascertain play **A** in the throttle cable.

Play in throttle cable	3... 5 mm (0.12... 0.2 in)
------------------------	----------------------------

- If the throttle cable play does not meet specifications:
 - Adjust the play in the throttle cable. (☛ p. 58)

**Danger**

Danger of poisoning Exhaust gases are toxic and inhaling them may result in unconsciousness and/or death.

- When running the engine, always make sure there is sufficient ventilation, and do not start or run the engine in an enclosed space without an effective exhaust extraction system.

- Start the engine and let it run idle. Move the handlebar to and fro over the entire steering range.

The idle speed must not change.

- If the idle speed changes:
 - Adjust the play in the throttle cable. (☞ p. 58)

7.6 Adjusting the play in the throttle cable

Preparatory work

- Remove the seat. (☞ p. 89)
- Remove the fuel tank. (☞ p. 90)
- Check the throttle cable routing. (☞ p. 57)

Main work

- Move the handlebar to the straight-ahead position.
- Push back sleeves ①.
- Loosen nut ②. Turn adjusting screw ③ in as far as possible.
- Loosen nut ④. Turn adjusting screw ⑤ so that there is play in the throttle cable at the throttle grip.

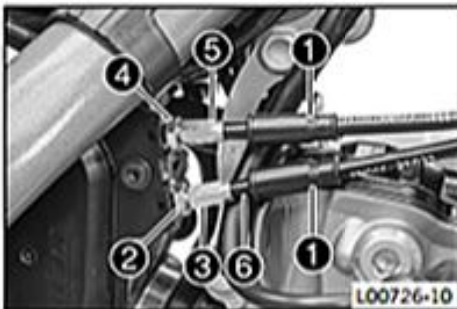
Guideline

Play in throttle cable	3... 5 mm (0.12... 0.2 in)
------------------------	----------------------------

- Tighten nut ④.
- Press and hold the throttle grip in the closed setting. Turn adjusting screw ③ out until there is no play in throttle cable ⑥.
- Tighten nut ②.
- Push sleeves ① on. Check the throttle grip for smooth operation.

Finishing work

- Install the fuel tank. (☞ p. 91)
- Mount the seat. (☞ p. 90)
- Check the play in the throttle cable. (☞ p. 57)



8.1 Removing the engine guard (EXC SIX DAYS, EXC AUS)



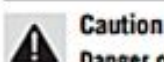
- Turn quick release ❶ counterclockwise until it disengages. Remove the engine guard.

8.2 Installing the engine guard (EXC SIX DAYS, EXC AUS)



- Attach the engine guard on the frame at the rear and swing up at the front.
- Turn quick release ❶ clockwise all the way.

9.1 Adjusting the high-speed compression damping of the shock absorber


Caution

Danger of accidents Disassembly of pressurized parts can lead to injury.

- The shock absorber is filled with high density nitrogen. Adhere to the description provided.


Info

The high-speed setting can be seen during the fast compression of the shock absorber.



- Turn adjusting screw ① all the way clockwise with a socket wrench.


Info

Do not loosen nut ②!

- Turn back counterclockwise by the number of turns corresponding to the shock absorber type.

Guideline

Compression damping, high-speed	
Comfort	2 turns
Standard	1.5 turns
Sport	1.25 turns


Info

Turn clockwise to increase damping; turn counterclockwise to reduce damping.

9.2 Adjusting the low-speed compression damping of the shock absorber


Caution

Danger of accidents Disassembly of pressurized parts can lead to injury.

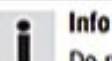
- The shock absorber is filled with high density nitrogen. Adhere to the description provided.


Info

The low-speed setting can be seen during the slow to normal compression of the shock absorber.



- Turn adjusting screw ① clockwise with a screwdriver up to the last perceptible click.


Info

Do not loosen nut ②!

- Turn back counterclockwise by the number of clicks corresponding to the shock absorber type.

Guideline

Compression damping, low-speed	
Comfort	25 clicks
Standard	20 clicks
Sport	15 clicks


Info

Turn clockwise to increase damping; turn counterclockwise to reduce damping.

9.3 Adjusting the rebound damping of the shock absorber

Caution
Danger of accidents Disassembly of pressurized parts can lead to injury.

- The shock absorber is filled with high density nitrogen. Adhere to the description provided.



- Turn adjusting screw ① clockwise up to the last perceptible click.

Info
 Do not loosen nut ②!

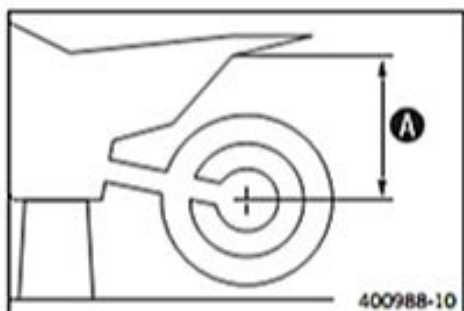
- Turn back counterclockwise by the number of clicks corresponding to the shock absorber type.

Guideline

Rebound damping	
Comfort	28 clicks
Standard	24 clicks
Sport	22 clicks

Info
 Turn clockwise to increase damping; turn counterclockwise to reduce damping.

9.4 Measuring rear wheel sag unloaded



Preparatory work

- Raise the motorcycle with the lift stand. (☞ p. 11)

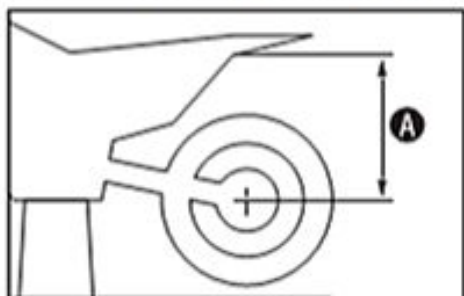
Main work

- Measure the distance – as vertically as possible – between the rear axle and a fixed point such as a mark on the side cover.
- Make note of the value as measurement ①.

Finishing work

- Remove the motorcycle from the lift stand. (☞ p. 11)

9.5 Checking the static sag of the shock absorber



- Measure distance ① of rear wheel unloaded. (☞ p. 61)
- Hold the motorcycle upright with the aid of an assistant.
- Measure the distance between the rear axle and the fixed point again.
- Note down the value as dimension ②.

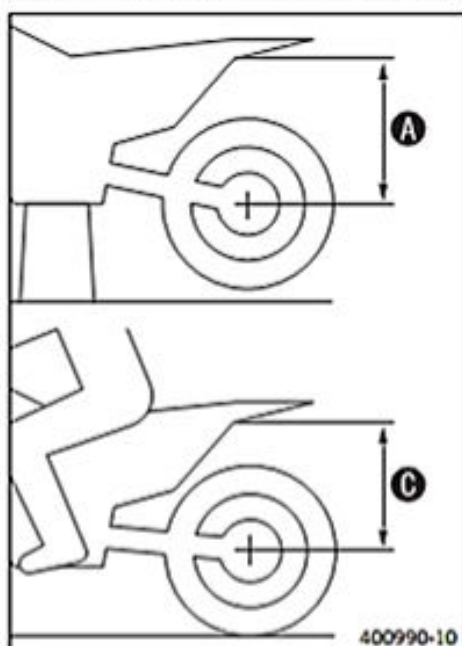
Info
 The static sag is the difference between measurements ① and ②.

- Check the static sag.

Static sag	33... 35 mm (1.3... 1.38 in)
------------	------------------------------

- If the static sag is less or more than the specified value:
 - Adjust the spring preload of the shock absorber. (☞ p. 62)

9.6 Checking the riding sag of the shock absorber



- Measure distance **A** of rear wheel unloaded. (☞ p. 61)
- With another person holding the motorcycle, the rider, wearing full protective clothing, sits on the seat in a normal sitting position (feet on footrests) and bounces up and down a few times.
 - ✓ The rear wheel suspension levels out.
- Another person now measures the distance between the rear axle and a fixed point.
- Note down the value as dimension **C**.

i Info

The riding sag is the difference between measurements **A** and **C**.

- Check the riding sag.

Riding sag	105... 115 mm (4.13... 4.53 in)
------------	---------------------------------

- If the riding sag differs from the specified measurement:
 - Adjust the riding sag. (☞ p. 63)

9.7 Adjusting the spring preload of the shock absorber

! Caution

Danger of accidents Disassembly of pressurized parts can lead to injury.

- The shock absorber is filled with high density nitrogen. Adhere to the description provided.

i Info

Before changing the spring preload, make a note of the present setting, e.g., by measuring the length of the spring.

Preparatory work

- Raise the motorcycle with the lift stand. (☞ p. 11)
- Remove shock absorber. (☞ p. 63)
- After removing the shock absorber, clean it thoroughly.

Main work

- Loosen screw **1**.
- Turn adjusting ring **2** until the spring is no longer under tension.

Hook wrench (T106S) (☞ p. 318)

- Measure the overall spring length while the spring is not under tension.
- Tighten the spring by turning adjusting ring **2** to measurement **A**.

Guideline

Spring preload	
Comfort	9 mm (0.35 in)
Standard	9 mm (0.35 in)
Sport	9 mm (0.35 in)

i Info

Depending on the static sag and/or the riding sag, it may be necessary to increase or decrease the spring preload.

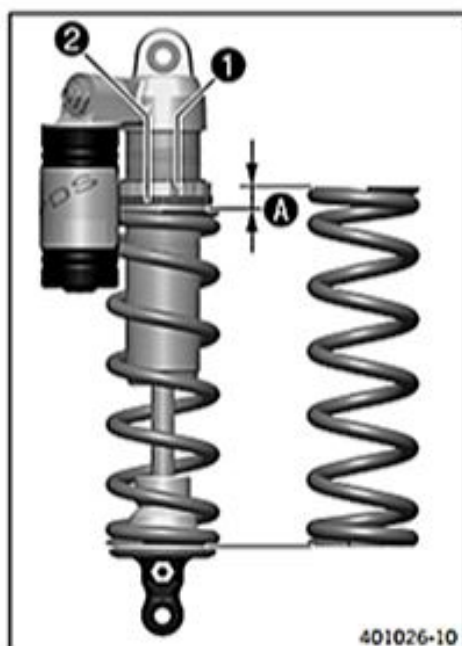
- Tighten screw **1**.

Guideline

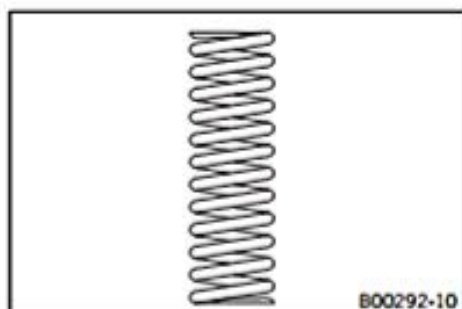
Screw, shock absorber adjusting ring	M5	5 Nm (3.7 lbf ft)
--------------------------------------	----	-------------------

Finishing work

- Install the shock absorber. (☞ p. 63)
- Remove the motorcycle from the lift stand. (☞ p. 11)



9.8 Adjusting the riding sag



Preparatory work

- Raise the motorcycle with the lift stand. (☛ p. 11)
- Remove shock absorber. (☛ p. 63)
- After removing the shock absorber, clean it thoroughly.

Main work

- Choose and mount a suitable spring.

Guideline

Spring rate	
Weight of rider: 65... 75 kg (143... 165 lb.)	69 N/mm (394 lbf/in)
Weight of rider: 75... 85 kg (165... 187 lb.)	72 N/mm (411 lbf/in)
Weight of rider: 85... 95 kg (187... 209 lb.)	76 N/mm (434 lbf/in)



Info

The spring rate is shown on the outside of the spring. Smaller weight differences can be compensated by changing the spring preload.

Finishing work

- Install the shock absorber. (☛ p. 63)
- Remove the motorcycle from the lift stand. (☛ p. 11)
- Check the static sag of the shock absorber. (☛ p. 61)
- Check the riding sag of the shock absorber. (☛ p. 62)
- Adjust the rebound damping of the shock absorber. (☛ p. 61)

9.9 Removing the shock absorber



Preparatory work

- Raise the motorcycle with the lift stand. (☛ p. 11)

Main work

- Remove screw 1 and lower the rear wheel with the swing arm as far as possible without blocking the rear wheel. Fix the rear wheel in this position.
- Remove screw 2, push splash protector 3 to the side, and remove the shock absorber.

9.10 Installing the shock absorber



Main work

- Push splash protector 1 to the side and position the shock absorber. Mount and tighten screw 2.

Guideline

Screw, top shock absorber	M12	80 Nm (59 lbf ft)	Loctite® 2701™
---------------------------	-----	----------------------	----------------

- Mount and tighten screw 3.

Guideline

Screw, bottom shock absorber	M12	80 Nm (59 lbf ft)	Loctite® 2701™
------------------------------	-----	----------------------	----------------



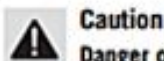
Info

The heim joint for the shock absorber at the swing arm is Teflon coated. It must not be greased with grease or with other lubricants. Lubricants dissolve the Teflon coating, thereby drastically reducing the service life.

Finishing work

- Remove the motorcycle from the lift stand. (☞ p. 11)

9.11 Servicing the shock absorber



Caution

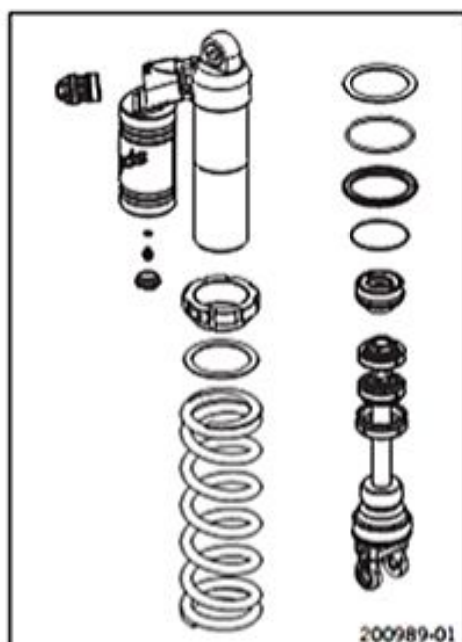
Danger of accidents Disassembly of pressurized parts can lead to injury.

- The shock absorber is filled with high density nitrogen. Adhere to the description provided.

Condition

The shock absorber has been removed.

- Remove the spring. (☞ p. 64)
- Disassemble the damper. (☞ p. 65)
- Disassemble the piston rod. (☞ p. 66)
- Disassemble the seal ring retainer. (☞ p. 67)
- Check the damper. (☞ p. 69)
- Disassemble the rebound adjuster. (☞ p. 69)
- Remove the heim joint. (☞ p. 70)
- Install the heim joint. (☞ p. 71)
- Assemble the rebound adjuster. (☞ p. 72)
- Assemble the seal ring retainer. (☞ p. 72)
- Assemble the piston rod. (☞ p. 73)
- Assemble the damper. (☞ p. 74)
- Install the spring. (☞ p. 80)



9.12 Removing the spring

Condition

The shock absorber has been demounted.

- Clamp the shock absorber in a bench vise using soft jaws.
- Measure and note down the spring length in a preloaded state.
- Loosen screw ①.
- Turn the adjusting ring until the spring is no longer under tension.

Hook wrench (T106S) (☞ p. 318)



- Remove O-ring ②.
- Remove spring retainer ③ and intermediate washer ④.
- Remove the spring.

9.13 Disassembling the damper

**Preparatory work**

- Remove the spring. (☛ p. 64)

Main work

- Note down the present state of rebound damping ① and compression damping ②.
- Completely open the adjustment elements of the rebound damping and compression damping.
- Remove rubber cap ③ of the reservoir.

- Slowly unscrew screw ④.
✓ The pressurized nitrogen is bled off.

- Remove locking cap ⑤.

- Press seal ring retainer ⑥ all the way in with the special tool.

Disassembly tool (T1216) (☛ p. 319)

- Remove lock ring ⑦.

i Info
Do not scratch the inner surface.

- Take out the damper.

- Remove screw ⑧. Drain the oil.



- Remove the piston rod. Drain the remaining oil.



- Remove adjusting ring 9 with the intermediate washer.



- Remove compression adjuster 10. Remove the spring and piston.

9.14 Disassembling the piston rod

Preparatory work

- Remove the spring. (☞ p. 64)
- Disassemble the damper. (☞ p. 65)

Main work

- Clamp the piston rod with the fork in a bench vise.

Guideline

Use soft jaws.



- Remove nut 1.



Info

If mount 2 is loosened, apply counteractive force.

- Remove rebound damping shim stack 3.



Info

Guide the rebound damping shim stack onto a screwdriver and put them aside together.

- Remove piston 4.

- Remove compression damping shim stack 5.



Info

Guide the compression damping shim stack onto a screwdriver and put them aside together.





- Unscrew and remove mount ②.
- Remove rebound damping shim stack ⑥.



Info

Guide the rebound damping shim stack onto a screwdriver and put them aside together.



- Remove piston ⑦.
- Remove compression damping shim stack ⑧.



Info

Guide the compression damping shim stack onto a screwdriver and put them aside together.



- Remove rebound damping washer ⑨.
- Remove seal ring retainer ⑩.



- Remove locking cap ⑪ and bump rubber ⑫.

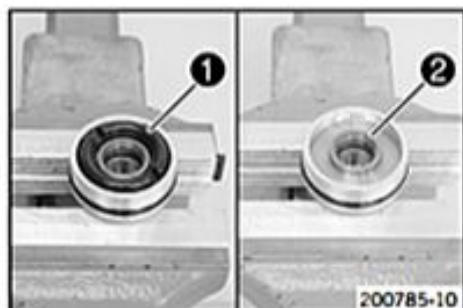
9.15 Disassembling the seal ring retainer

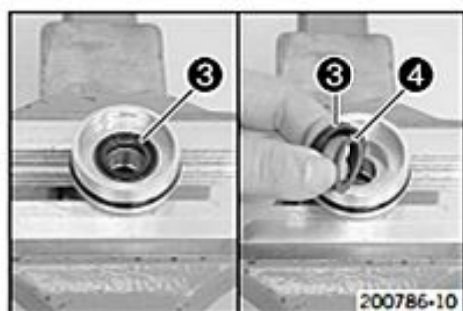
Preparatory work

- Remove the spring. (☛ p. 64)
- Disassemble the damper. (☛ p. 65)
- Disassemble the piston rod. (☛ p. 66)

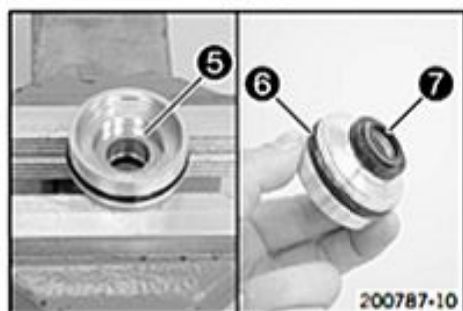
Main work

- Remove rebound rubber ①.
- Remove centering disk ②.





- Remove seal ring ③.
- Remove washer ④ from seal ring ③.



- Remove washer ⑤.
- Remove O-ring ⑥.
- Remove dust boot ⑦.

9.16 Replacing the pilot bushing

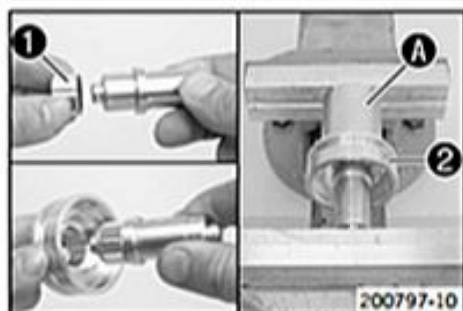
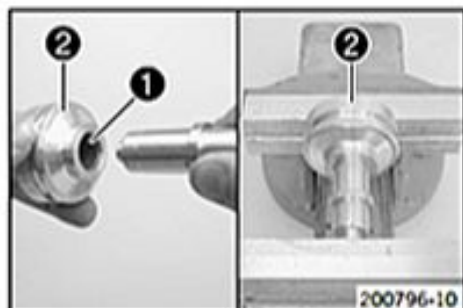
Preparatory work

- Remove the spring. (☛ p. 64)
- Disassemble the damper. (☛ p. 65)
- Disassemble the piston rod. (☛ p. 66)
- Disassemble the seal ring retainer. (☛ p. 67)

Main work

- Press pilot bushing ① out of seal ring retainer ② using the special tool.

Press drift (T1504) (☛ p. 322)



- Slide the new pilot bushing ① onto the special tool.

Press drift (T1504) (☛ p. 322)

- Position the pilot bushing in the seal ring retainer using the special tool.

Press drift (T1504) (☛ p. 322)

- Support seal ring retainer ② with the sleeve A of the special tool. Press the pilot bushing all the way in.

Assembly tool (T150S) (☛ p. 322)

- Lubricate the special tool.

Shock absorber fluid (SAE 2.5) (50180751S1) (☛ p. 306)

Calibration pin (T1205) (☛ p. 318)

- Support seal ring retainer ② with the sleeve A of the special tool.

Assembly tool (T150S) (☛ p. 322)

- Press the special tool through the new pilot bushing.

Calibration pin (T1205) (☛ p. 318)

✓ The pilot bushing is to be calibrated.

Finishing work

- Assemble the seal ring retainer. (☛ p. 72)

9.17 Checking the damper



Condition

The damper has been disassembled.

- Measure the inside diameter on both ends and in the middle of the damper cartridge.

Damper cartridge	
Diameter	50.08 mm (1.9716 in)

- If the measured value is greater than the specified value:
 - Replace the damper cartridge.
- Check the damper cartridge for damage and wear.
 - If there is damage or wear:
 - Replace the damper cartridge.
- Check the heim joint for damage and wear.
 - If there is damage or wear:
 - Replace the heim joint.
- Measure the diameter of the piston rod.

Piston rod	
Diameter	17.95 mm (0.7067 in)

- If the measured value is smaller than the specified value:
 - Replace the piston rod.
- Measure the run-out of the piston rod.

Piston rod	
Run-out	0.02 mm (0.0008 in)

- If the measured value is greater than the specified value:
 - Replace the piston rod.
- Check the piston rod for damage and wear.
 - If there is damage or wear:
 - Replace the piston rod.
- Check the piston rings for damage and wear.
 - If damage or a bronze-colored surface is visible:
 - Replace the piston rings.

9.18 Disassembling the rebound adjuster

Preparatory work

- Remove the spring. (☛ p. 64)
- Disassemble the damper. (☛ p. 65)
- Disassemble the piston rod. (☛ p. 66)

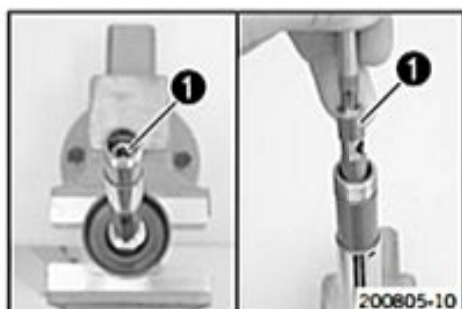
Main work

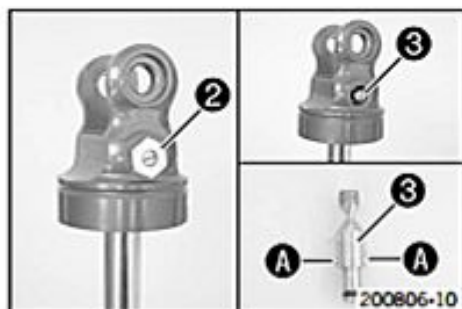
- Warm up the piston rod in the area of the rebound damping valve seat.

Guideline

80 °C (176 °F)

- Remove rebound damping valve seat ①.

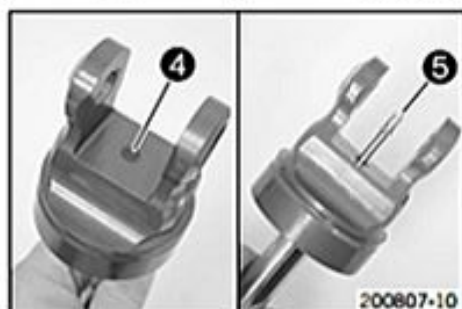




- Remove screwsleeve ②.
- Remove adjusting screw ③.


Info

Do not lose balls A and spring.

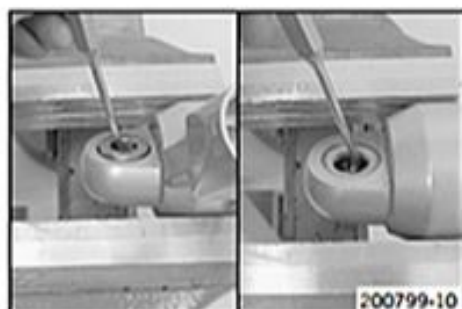


- Remove rubber plug ④.
- From the opposite side, press rebound needle ⑤ out of the piston rod.

9.19 Removing the heim joint

Condition

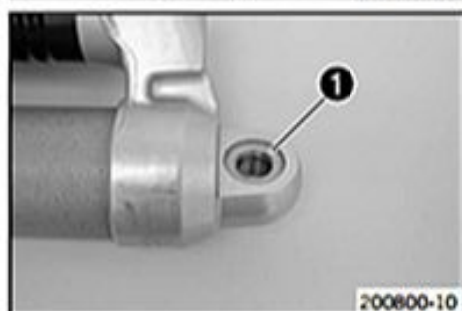
The shock absorber has been demounted.



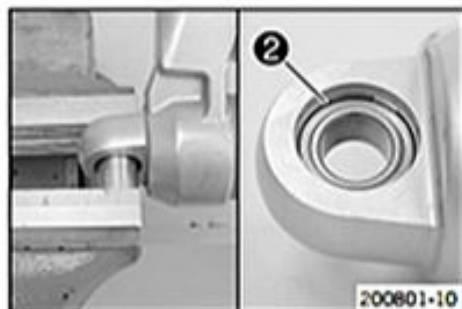
- Clamp the shock absorber in a vise using soft jaws.
- Remove the collar bushing of the heim joint.

Pin (T120) (☞ p. 318)

- Turn the shock absorber around and remove the second heim joint collar bushing.



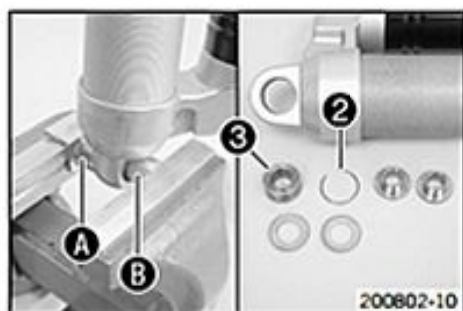
- Remove seal ring ① on both sides.



- Press the heim joint against a lock ring using the special tool.

Pressing tool (T1207S) (☞ p. 319)

- Remove the second lock ring ②.



- Place special tool **A** underneath and press out heim joint **3** using special tool **B**.

Pressing tool (T1207S) (☛ p. 319)

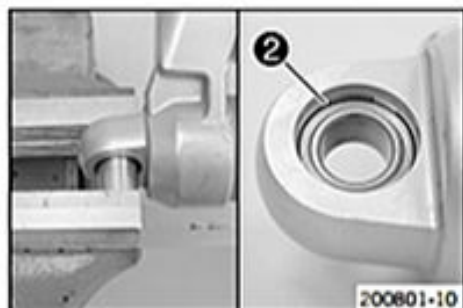
9.20 Installing the heim joint



- Position new heim joint **1** and special tool.

Pressing tool (T1206) (☛ p. 319)

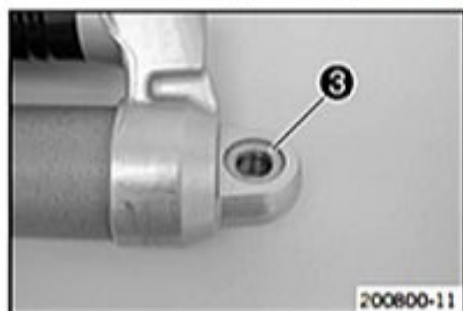
- Press in the heim joint all the way.



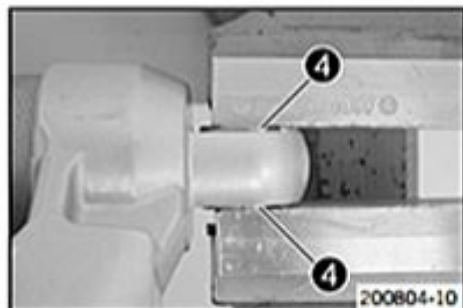
- Press the heim joint against the lock ring using the special tool.

Pressing tool (T1207S) (☛ p. 319)

- Mount the second lock ring **2**.



- Mount seal ring **3** on both sides.



- Position both collar bushings **4** and press in.

9.21 Assembling the rebound adjuster



- Grease O-ring **1** of the rebound needle.

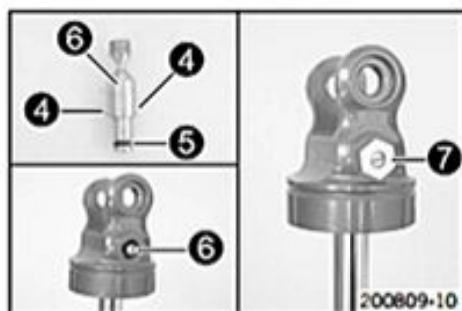
Lubricant (T158) (☛ p. 307)

- Mount rebound needle **2** in the piston rod.


Info

Push in the rebound needle to the point where it is possible to mount the rebound damping adjusting screw.

- Mount rubber plug **3**.



- Lubricate spring balls **4** and O-ring **5**.

Lubricant (T159) (☛ p. 307)

- Screw in the rebound damping adjusting screw **6** all the way.

- Mount and tighten screw sleeve **7**.

Guideline

Screw sleeve	M14x1	18 Nm (13.3 lbf ft)
--------------	-------	------------------------

- Screw out the rebound damping adjusting screw **6** to the stop.

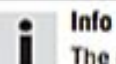
- Grease the O-ring of the rebound damping seat.

Lubricant (T159) (☛ p. 307)

- Mount and tighten rebound damping valve seat **8**.

Guideline

Rebound damping valve seat	M8x1	6 Nm (4.4 lbf ft)	Loctite® 2701™
----------------------------	------	----------------------	----------------


Info

The rebound damping valve seat must be pressed inward before tightening.

9.22 Assembling the seal ring retainer

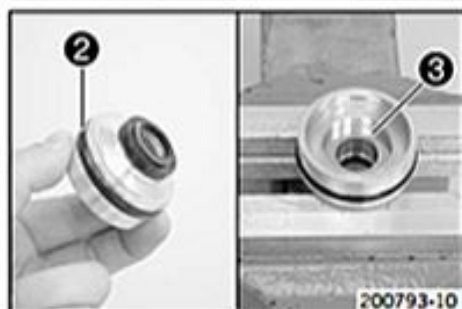


- Mount dust boot **1** with the special tool.

Mounting sleeve (T1204) (☛ p. 318)

- Grease the sealing lip of the dust boot.

Lubricant (T625) (☛ p. 307)

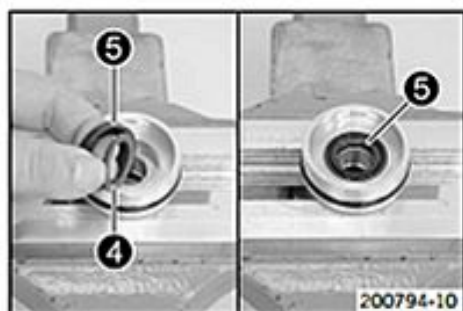


- Grease the O-ring groove.

Lubricant (T158) (☛ p. 307)

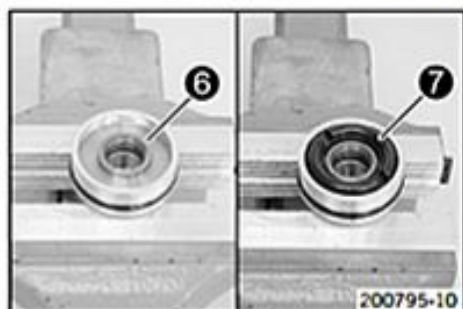
- Mount O-ring **2**.

- Mount washer **3**.



- Position washer 4 on seal ring 5.
- Grease the seal ring and mount with the washer facing downward.

Lubricant (T511) (☛ p. 307)



- Mount centering disk 6.
- Mount rebound rubber 7.

9.23 Assembling the piston rod

Preparatory work

- Assemble the seal ring retainer. (☛ p. 72)
- Assemble the rebound adjuster. (☛ p. 72)

Main work

- Clamp the piston rod with the fork in a bench vise.

Guideline

Use soft jaws.



- Mount bump rubber 1 and locking cap 2.
- Position the special tool on the piston rod.

Mounting sleeve (T1215) (☛ p. 319)

- Grease the dust boot and slide seal ring retainer 3 onto the piston rod.

Lubricant (T625) (☛ p. 307)



- Remove the special tool.
- Mount rebound damping washer 4.
- Mount the compression shim stack 5 with the smaller shims facing downward.



- Grind piston 6 on both sides, using 1200 grit sandpaper on a surfacing plate.
- Clean the piston.
- Mount the piston.

Guideline

View A	Top view of piston
View B	Bottom view of piston



- Mount rebound damping shim stack **7** with the smaller shims at the top.
- Apply thread locker to the threads of the piston rod.

Loctite® 2701™

- Screw on mount **8** to the point where the piston can still be turned.



- Mount the compression shim stack **9** with the smaller shims facing downward.



- Grind piston **10** on both sides on a surface plate using 1200 grit sandpaper.
- Clean the piston.
- Mount the piston.

Guideline

View A	Top view of piston
View B	Bottom view of piston



- Mount rebound damping shim stack **11** with the smaller shims facing upward.
- Grease the threads of the mount.

Lubricant (T152) (☞ p. 307)

- Mount nut **12**, but do not tighten it yet.



- Align both pistons using the special tool.

Centering sleeve (T1214) (☞ p. 319)

- Tighten the nut.

Guideline

Piston rod nut	M16x1	40 Nm (29.5 lbf ft)
----------------	-------	------------------------

- Remove the special tool.

9.24 Assembling the damper

Preparatory work

- Assemble the seal ring retainer. (☞ p. 72)
- Assemble the rebound adjuster. (☞ p. 72)
- Assemble the piston rod. (☞ p. 73)



Main work

- Slide the spring and piston onto compression adjuster ❶.
- Grease the O-ring.

Lubricant (T158) (☞ p. 307)

- Grease the threads.

Lubricant (T159) (☞ p. 307)

- Mount and tighten the compression adjuster.

Guideline

Compression adjuster	M31x1	50 Nm (36.9 lbf ft)
----------------------	-------	------------------------

- Install adjusting ring ❷ with an intermediate washer.

i Info
The adjusting ring cannot be mounted after the piston rod has been assembled!



- Mount screw ❸ but do not tighten yet.



- Grease the O-ring of the seal ring retainer.

Lubricant (T158) (☞ p. 307)

- Fill the damper cartridge approximately half way.

Shock absorber fluid (SAE 2.5) (50180751S1) (☞ p. 306)

- Carefully mount the piston rod.



- Mount seal ring retainer ❹ and slide it under the ring groove.

- Mount lock ring ❺.

i Info
Do not scratch the inner surface.

- Pull out the piston rod in order that the seal ring retainer fits closely against the lock ring.



- Mount locking cap ❻ of the damper cartridge.

- Bleed and fill the damper. (☞ p. 77)

- Fill the damper with nitrogen. (☞ p. 79)





- Mount rubber cap 7 of the reservoir.
- Turn adjusting ring 8 completely down toward the bottom.



Alternative 1

- Turn adjusting screw 9 clockwise with a screwdriver up to the last perceptible click.
- Turn counterclockwise by the number of clicks corresponding to the shock absorber type.

Guideline

Compression damping, low-speed	
Comfort	25 clicks
Standard	20 clicks
Sport	15 clicks

- Turn adjusting screw 10 clockwise with an open end wrench until it stops.
- Turn counterclockwise by the number of turns corresponding to the shock absorber type.

Guideline

Compression damping, high-speed	
Comfort	2 turns
Standard	1.5 turns
Sport	1.25 turns

- Turn adjusting screw 11 clockwise up to the last perceptible click.
- Turn counterclockwise by the number of clicks corresponding to the shock absorber type.

Guideline

Rebound damping	
Comfort	28 clicks
Standard	24 clicks
Sport	22 clicks

Alternative 2



Warning

Danger of accident Modifications to the suspension setting may seriously alter the handling characteristic.

Extreme modifications to the suspension setting may cause a serious deterioration in the handling characteristic and overload components.

- Only make adjustments within the recommended range.
 - Ride slowly to start with after making adjustments to get the feel of the new handling characteristic.
-
- Mount adjusting screws 9, 10 and 11 in the positions determined when disassembling.

9.25 Bleeding and filling the damper

i Info

Before working with the vacuum pump, carefully read the vacuum pump operating manual. Completely open the adjusters of the rebound and compression damping.



- Remove the screw from the filling port.
- Mount adapter **1** on the damper.

i Info

Hand-tighten only without using a tool.

- Connect adapter **1** to connector **2** of the vacuum pump.

Vacuum pump (T1240S) (☛ p. 320)

- Clamp the damper with soft jaws or hold it as shown in the photo.

i Info

Clamp the damper only lightly.

The filling port must be located at the highest point.

The piston rod moves in and out during filling; do not immobilize it by holding it with your hand.



- Position the control lever as shown in the photo.

- ✓ Control lever **External tank** **3** is set to **Closed**; **Damper** **4** is set to **Vacuum**; and **Oil reservoir** **5** is set to **Vacuum**.

- Activate **On/Off** switch **6**.

- ✓ The suction process begins.

- ✓ Pressure gauge **7** drops to the required value.

< 0 bar

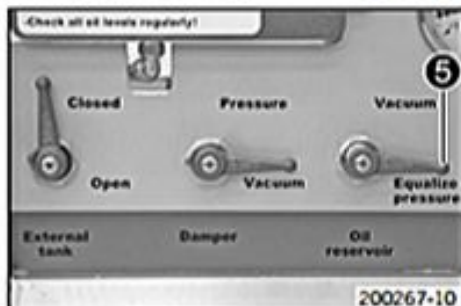
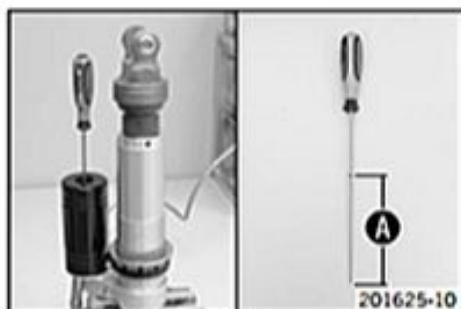
- ✓ Vacuum gauge **8** drops to the required value.

4 mbar

- Determine distance **A** between the floating piston and reservoir hole with the special tool.

Depth micrometer (T107S) (☛ p. 318)

- ✓ The floating piston is positioned in the lowermost position.



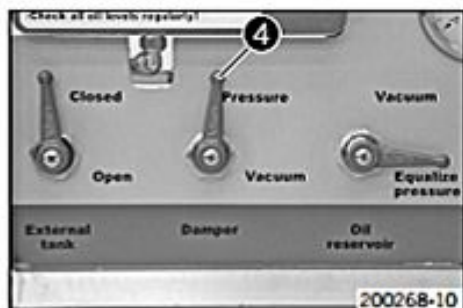
- When the vacuum gauge reaches the required value, turn control lever **Oil reservoir** **5** to **Equalize pressure**.

Guideline

4 mbar

- ✓ The pressure gauge increases to the required value.

0 bar



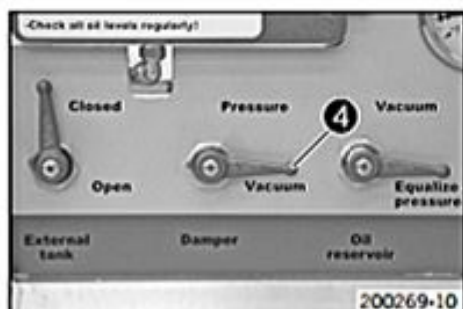
- When the pressure gauge reaches the required value, turn control lever **Damper 4** to **Pressure**.

Guideline

0 bar

- ✓ Oil is pumped into the damper.
- ✓ The pressure gauge increases to the required value.

3 bar



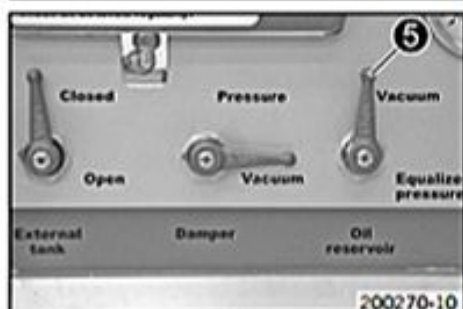
- When the pressure gauge reaches the required value, turn control lever **Damper 4** to **Vacuum**.

Guideline

3 bar

- ✓ The pressure gauge drops to the required value.

0 bar



- When the pressure gauge reaches the required value, turn control lever **Oil reservoir 5** to **Vacuum**.

Guideline

0 bar

- ✓ The vacuum gauge drops to the required value.

8 mbar



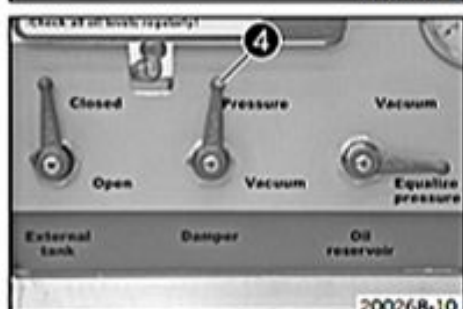
- When the vacuum gauge reaches the required value, turn control lever **Oil reservoir 5** to **Equalize Pressure**.

Guideline

8 mbar

- ✓ The pressure gauge drops to the required value.

0 bar



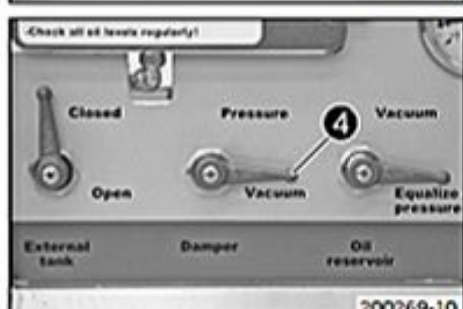
- When the pressure gauge reaches the required value, turn control lever **Damper 4** to **Pressure**.

Guideline

0 bar

- ✓ Oil is pumped into the damper.
- ✓ The pressure gauge increases to the required value.

3 bar



- When the pressure gauge reaches the required value, turn control lever **Damper 4** to **Vacuum**.

Guideline

3 bar

- ✓ The pressure gauge drops to the required value.

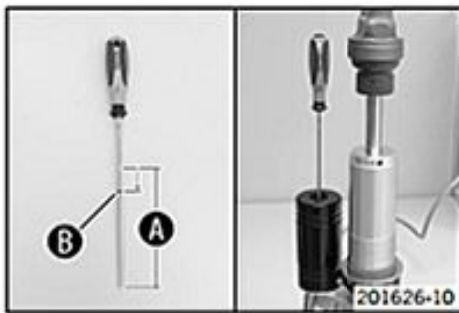
0 bar

- When the pressure gauge reaches the required value, activate the **On/Off** switch.

Guideline

0 bar

- ✓ The vacuum pump is switched off.



- Slide O-ring **B** to the end of the special tool by the specified value (distance **A** minus specified value).

Guideline

10 mm

Depth micrometer (T107S) (☞ p. 318)

- Push the floating piston into the reservoir to the distance described above using the special tool.

i Info

When the piston rod is fully extended, the floating piston must be at precisely this position; otherwise, damage will occur when the shock absorber compresses and rebounds.

- Remove the special tool.
- Remove adapter **1** from connector **2** of the vacuum pump.

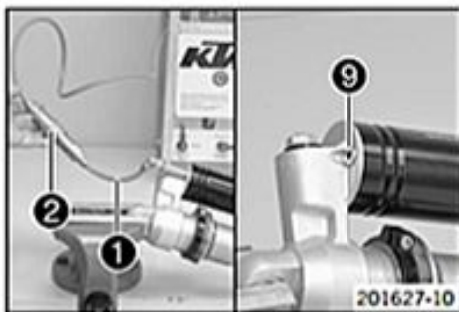
i Info

Hold the damper so that the filling port is at the highest point.

- Remove the adapter.
- Mount and tighten screw **9**.

Guideline

Filling port screw	M10x1	14 Nm (10.3 lbf ft)
--------------------	-------	------------------------



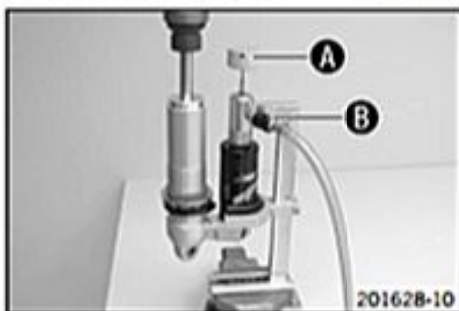
9.26 Filling the damper with nitrogen



- Screw in the screw **1** approx. two turns, but do not tighten.

i Info

The piston rod is completely extended.



- Keep the special tool in place in the bench vise.

Nitrogen filling tool (T170S1) (☞ p. 322)

- Connect the special tool to the pressure regulator of the filling cylinder.

Filling gas - nitrogen

- Adjust the pressure regulator.

Guideline

Gas pressure	10 bar (145 psi)
--------------	------------------

- Position the shock absorber in the special tool.
 - ✓ The hexagonal part of tap handle **A** engages in the hexagon socket of the screw of the filling port.

- Open spigot **B**.
- Fill the shock absorber for at least 15 seconds.

Guideline

Gas pressure	10 bar (145 psi)
--------------	------------------

i Info

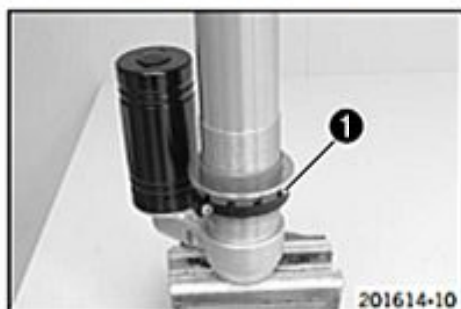
Monitor the pressure control valve indicator. Ensure that the shock absorber has been filled to the specified pressure.

- Screw the filling port shut with tap handle **A**.
- Close spigot **B** and remove the damper from the special tool.
- Tighten the screw of the filling port.

Guideline

Reservoir filling port screw	M5	3.5 Nm (2.58 lbf ft)
------------------------------	----	-------------------------

9.27 Installing the spring



- Ensure that adjusting ring **1** is screwed on with the intermediate washer.



- Measure the overall spring length when not under tension.
- Position the spring.

Guideline

Spring rate	
Weight of rider: 65... 75 kg (143... 165 lb.)	69 N/mm (394 lb/in)
Weight of rider: 75... 85 kg (165... 187 lb.)	72 N/mm (411 lb/in)
Weight of rider: 85... 95 kg (187... 209 lb.)	76 N/mm (434 lb/in)

- Mount intermediate washer **2** and spring retainer **3**.
- Mount ring **4**.

Alternative 1

- Tighten the spring by turning adjusting ring to measurement.

Guideline

Spring preload	
Comfort	9 mm (0.35 in)
Standard	9 mm (0.35 in)
Sport	9 mm (0.35 in)

Hook wrench (T106S) (☞ p. 318)

Alternative 2

Warning

Danger of accident Modifications to the suspension setting may seriously alter the handling characteristic.

Extreme modifications to the suspension setting may cause a serious deterioration in the handling characteristic and overload components.

- Only make adjustments within the recommended range.
 - Ride slowly to start with after making adjustments to get the feel of the new handling characteristic.
-
- Tighten the spring by turning the adjusting ring to the measured value determined when it was removed.

Hook wrench (T106S) (☞ p. 318)



- Tighten screw 5.

Guideline

Screw, shock absorber adjusting ring	M5	5 Nm (3.7 lbf ft)
--------------------------------------	----	-------------------

9.28 Changing the heim joint

Preparatory work

- Raise the motorcycle with the lift stand. (☛ p. 11)

Main work

- Remove screw 1 and lower the rear wheel with the swingarm as far as possible without blocking the rear wheel. Fix the rear wheel in this position.



Info

Raise the wheel slightly to make it easier to remove the screw.

- Swing back the shock absorber.



- Remove spacers 2 on both sides.



- Remove shaft seal rings 3 on both sides.



- Mount special tool 4.

Mounting tool, heim joint (50329000044) (☛ p. 310)

- Press out the heim joint by screwing in the screw.





- Position the new heim joint.
- Mount special tool ④.

Mounting tool, heim joint (50329000044) (☛ p. 310)

- Press in the heim joint by screwing in the screw.



- Press in shaft seal rings ③ on both sides with the open side facing inward.

i Info

The heim joint for the shock absorber at the swingarm is Teflon coated. It must not be greased with grease or with other lubricants. Lubricants dissolve the Teflon coating, thereby drastically reducing the service life.



- Mount spacers ② on both sides.



- Position the shock absorber.
- Mount and tighten screw ①.

Guideline

Screw, bottom shock absorber	M12	80 Nm (59 lbf ft)	Loctite® 2701™
------------------------------	-----	----------------------	----------------

i Info

Raise the wheel slightly to make it easier to mount the screw.

Finishing work

- Remove the motorcycle from the lift stand. (☛ p. 11)

10.1 Removing the manifold

Preparatory work

- Raise the motorcycle with the lift stand. (☞ p. 11)
- Remove shock absorber. (☞ p. 63)
- Remove the main silencer. (☞ p. 84)

Main work

- Remove springs ❶.



- Remove screw ❷ and take off the manifold.

10.2 Installing the manifold

Main work

- Position the manifold and mount springs ❶.

Spring hooks (50305017000) (☞ p. 310)



- Mount and tighten screw ❷.

Guideline

Remaining screws, chassis	MB	25 Nm (18.4 lbf ft)
---------------------------	----	------------------------

Finishing work

- Install the main silencer. (☞ p. 84)
- Install the shock absorber. (☞ p. 63)
- Remove the motorcycle from the lift stand. (☞ p. 11)

10.3 Removing main silencer



Warning

Danger of burns The exhaust system gets very hot when the vehicle is driven.

- Allow the exhaust system to cool down. Do not touch hot components.



- Disconnect spring **1**.

Spring hooks (50305017000) (☞ p. 310)

- Remove screws **2** and take off main silencer.

10.4 Installing the main silencer



- Position the main silencer. Mount screws **1**, but do not tighten yet.
- Reconnect spring **2**.

Spring hooks (50305017000) (☞ p. 310)

- Tighten screws **1**.

Guideline

Remaining screws, chassis	M6	10 Nm (7.4 lbf ft)
---------------------------	----	--------------------

10.5 Changing the glass fiber yarn filling of the main silencer



Warning

Danger of burns The exhaust system gets very hot when the vehicle is driven.

- Allow the exhaust system to cool down. Do not touch hot components.

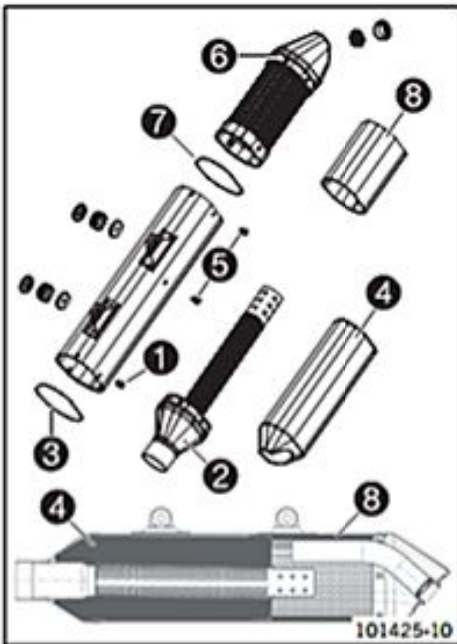


Info

Over time, the fibers of the glass fiber yarn escape and the damper "burns" out. Not only is the noise level higher, the performance characteristic changes.

Preparatory work

- Remove the main silencer. (☞ p. 84)

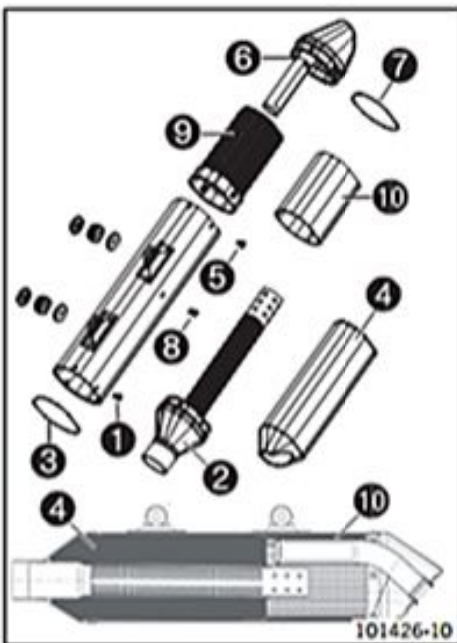

Main work
(EXC EU/AUS, EXC SIX DAYS)

- Remove screws ① of connecting cap ②.
- Take off the connecting cap with the perforated pipe, O-ring ③ and glass fiber yarn filling ④.
- Remove screws ⑤ and take off silencer cap ⑥ with O-ring ⑦ and stuffing yarn ⑧.
- Clean the parts that need to be reinstalled and check for damage.
- Mount O-ring ⑦ on silencer cap ⑥.
- Mount the new insulating pad ⑧ onto silencer cap ⑥ and secure it with adhesive tape.
- Position silencer cap ⑥. Mount and tighten screws ⑤.
- Mount O-ring ③ onto connecting cap ②.
- Slide the new glass fiber yarn filling ④ over the perforated pipe.
- Mount connecting cap ② and glass fiber yarn filling ④ in the main silencer.


Info

Slide the glass fiber yarn filling into the main silencer with a blunt tool.

- Mount and tighten screws ①.


(EXC USA, XC-W)

- Remove screws ① of connecting cap ②.
- Take off connecting cap ② with perforated pipe, O-ring ③ and glass fiber yarn filling ④.
- Remove screws ⑤ and silencer cap ⑥ with O-ring ⑦.
- Remove screws ⑧ and insert ⑨ together with the insulating pad ⑩.
- Clean the parts that need to be reinstalled and check for damage.
- Mount the new insulating pad ⑩ on insert ⑨ and secure it with adhesive tape.
- Slide insert ⑨ with insulating pad ⑩ into the main silencer and secure with screws ⑧.
- Mount O-ring ③ onto connecting cap ②.
- Slide the new glass fiber yarn filling ④ over the perforated pipe.
- Mount connecting cap ② and glass fiber yarn filling ④ in the main silencer.


Info

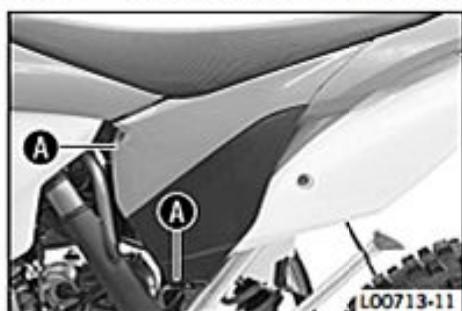
Slide the glass fiber yarn filling into the main silencer with a blunt tool.

- Mount and tighten screws ①.
- Mount O-ring ⑦ on silencer cap ⑥.
- Position silencer cap ⑥. Mount and tighten screws ⑤.

Finishing work

- Install the main silencer. (☛ p. 84)

11.1 Removing the air filter box lid



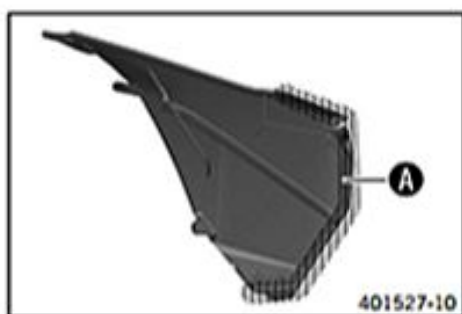
- Pull off the air filter box lid in area **A** to the side and remove to the front.

11.2 Installing the air filter box lid



- Insert the air filter box lid into the rear area **A** and clip it into the front area **B**.

11.3 Sealing the air filter box



Preparatory work

- Remove the air filter box lid. (☞ p. 86)

Main work

- Seal the air filter box in the marked area **A**.

Finishing work

- Install the air filter box lid. (☞ p. 86)

11.4 Removing the air filter

Note

Engine failure Unfiltered intake air has a negative effect on the service life of the engine.

- Never operate the vehicle without an air filter as dust and dirt will enter the engine and lead to increased wear.

Warning

Environmental hazard Hazardous substances cause environmental damage.

- Oil, grease, filters, fuel, cleaners, brake fluid, etc., should be disposed of as stipulated in applicable regulations.

Preparatory work

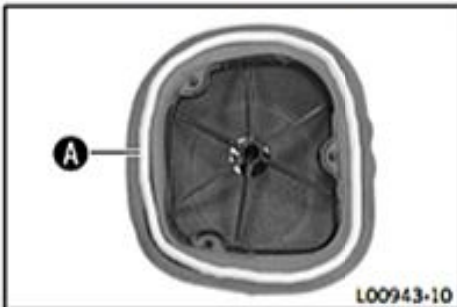
- Remove the air filter box lid. (☞ p. 86)



Main work

- Detach air filter holding bracket **1** at the bottom and swing it to one side. Remove the air filter with the air filter support.
- Remove the air filter from the air filter support.

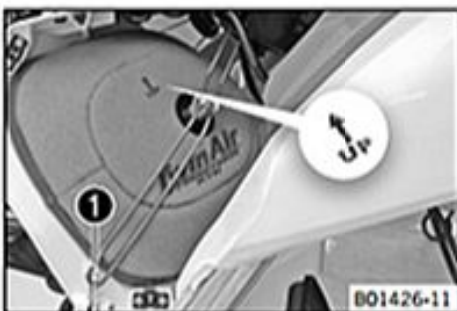
11.5 Installing the air filter



Main work

- Mount the clean air filter on the air filter support.
- Grease the air filter in area **A**.

Long-life grease (☞ p. 307)



- Insert both parts together, position them and fasten them using the air filter holding bracket **1**.
- ✓ The arrow of marking **UP** faces up.

i Info

If the air filter is not correctly mounted, dust and dirt can enter the engine and cause damage.

Finishing work

- Install the air filter box lid. (☞ p. 86)

11.6 Cleaning the air filter and air filter box

Warning

Environmental hazard Hazardous substances cause environmental damage.

- Oil, grease, filters, fuel, cleaners, brake fluid, etc., should be disposed of as stipulated in applicable regulations.

i Info

Do not clean the air filter with fuel or petroleum since these substances attack the foam.

Preparatory work

- Remove the air filter box lid. (☞ p. 86)
- Remove the air filter. (☞ p. 86)

Main work

- Wash the air filter thoroughly in special cleaning liquid and allow it to dry properly.

Air filter cleaner (☞ p. 307)

i Info

Only press the air filter to dry it, never wring it out.

- Oil the dry air filter with a high quality filter oil.

Oil for foam air filter (☞ p. 308)

- Clean the air filter box.



- Check the intake flange for damage and firm seating.

Finishing work

- Install the air filter. (☛ p. 87)
- Install the air filter box lid. (☛ p. 86)

12.1 Opening filler cap

- Danger**
Fire hazard Fuel is highly flammable.
- Never refuel the vehicle near open flames or burning cigarettes, and always switch off the engine first. Be careful that no fuel is spilt, especially on hot vehicle components. Clean up spilt fuel immediately.
 - The fuel in the fuel tank expands when warm and may emerge if overfilled. Follow the instructions on refueling.

- Warning**
Danger of poisoning Fuel is poisonous and a health hazard.
- Fuel must not come into contact with the skin, eyes, or clothing. Do not breathe in the fuel vapors. If contact occurs with the eyes, rinse with water immediately and contact a physician. Immediately clean contaminated areas on the skin with soap and water. If fuel is swallowed, contact a physician immediately. Change clothing that has been contaminated with fuel. Store fuel properly in a suitable canister and keep away from children.

- Warning**
Environmental hazard Improper handling of fuel is a danger to the environment.
- Do not allow fuel to get into the ground water, the ground, or the sewage system.



- Press release button 1, turn filler cap counterclockwise and lift it upwards and remove.

12.2 Closing filler cap



- Replace the filler cap and turn clockwise until the release button 1 locks in place.

Info
Route the fuel tank breather hose 2 without kinking.

12.3 Removing the seat



- Remove screw 1.
- Lift up the seat at the rear, pull it back and then remove it from above.

12.4 Mounting the seat



- Mount the front the seat on to the collar bushing of the fuel tank, lower it at the rear and simultaneously push it forward.
- Make sure that the seat is correctly locked in.
- Mount and tighten the screw of the seat fixing.

Guideline

Remaining screws, chassis	M6	10 Nm (7.4 lbf ft)
---------------------------	----	--------------------

12.5 Removing the fuel tank

- Danger**
Fire hazard Fuel is highly flammable.
- Never refuel the vehicle near open flames or burning cigarettes, and always switch off the engine first. Be careful that no fuel is spilt, especially on hot vehicle components. Clean up spilt fuel immediately.
 - The fuel in the fuel tank expands when warm and may emerge if overfilled. Follow the instructions on refueling.
- Warning**
Danger of poisoning Fuel is poisonous and a health hazard.
- Fuel must not come into contact with the skin, eyes, or clothing. Do not breathe in the fuel vapors. If contact occurs with the eyes, rinse with water immediately and contact a physician. Immediately clean contaminated areas on the skin with soap and water. If fuel is swallowed, contact a physician immediately. Change clothing that has been contaminated with fuel. Store fuel properly in a suitable canister and keep away from children.

Preparatory work

- Remove the seat. (☛ p. 89)

Main work

- Detach connector ❶ of the fuel pump.
- Remove the tube from the fuel tank breather.

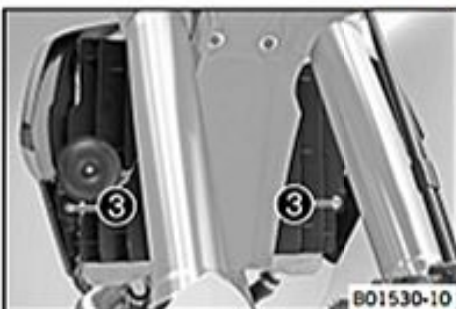


- Thoroughly clean the plug-in connection of the fuel line using compressed air.

Info
 Under no circumstances should dirt enter into the fuel line. Dirt in the fuel line clogs the injection valve.

- Disconnect the plug-in connection of the fuel line.
- Mount wash cap set ❷.

Wash cap set (81212016100)



- Detach the connector for the horn.
- Remove screws ❸ with the collar bushings and horn.



- Remove screw 4 with the rubber bushing.



- Pull both spoilers off of the sides of the radiator bracket and lift off the fuel tank.

12.6 Installing the fuel tank



Danger

Fire hazard Fuel is highly flammable.

- Never refuel the vehicle near open flames or burning cigarettes, and always switch off the engine first. Be careful that no fuel is spilled, especially on hot vehicle components. Clean up spilled fuel immediately.
- The fuel in the fuel tank expands when warm and may emerge if overfilled. Follow the instructions on refueling.



Warning

Danger of poisoning Fuel is poisonous and a health hazard.

- Fuel must not come into contact with the skin, eyes, or clothing. Do not breathe in the fuel vapors. If contact occurs with the eyes, rinse with water immediately and contact a physician. Immediately clean contaminated areas on the skin with soap and water. If fuel is swallowed, contact a physician immediately. Change clothing that is contaminated with fuel.

Main work

- Check the throttle cable routing. (☛ p. 57)
- Position the fuel tank and fit the two spoilers to the sides of the radiator bracket.
- Make sure that no cables are trapped or damaged.
- Mount the fuel tank breather.
- Mount and tighten screw 1 with the rubber bushing.

Guideline

Remaining screws, chassis	M6	10 Nm (7.4 lbf ft)
---------------------------	----	--------------------

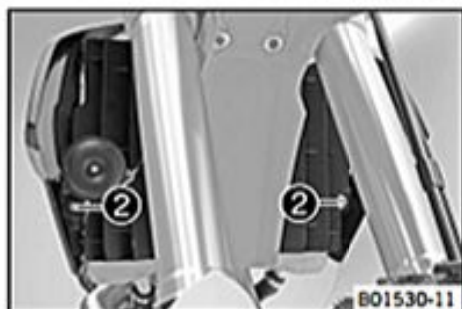


- Position the collar bushings and horn, fit and tighten screws 2.

Guideline

Remaining screws, chassis	M6	10 Nm (7.4 lbf ft)
---------------------------	----	--------------------

- Attach the connector of the horn.





- Attach connector **3** of the fuel pump.
- Remove the wash cap set.
- Thoroughly clean the plug-in connection of the fuel line using compressed air.


Info

Never let dirt enter the fuel line. Dirt in the fuel line clogs the injection valve.

- Lubricate the O-ring and connect plug-in connection **4** of the fuel line.


Info

Route the cable and fuel line at a safe distance from the exhaust system.

Finishing work

- Mount the seat. (↖ p. 90)

12.7 Changing the fuel screen


Danger

Fire hazard Fuel is highly flammable.

- Never refuel the vehicle near open flames or burning cigarettes, and always switch off the engine first. Be careful that no fuel is spilt, especially on hot vehicle components. Clean up spilt fuel immediately.
- The fuel in the fuel tank expands when warm and may emerge if overfilled. Follow the instructions on refueling.


Warning

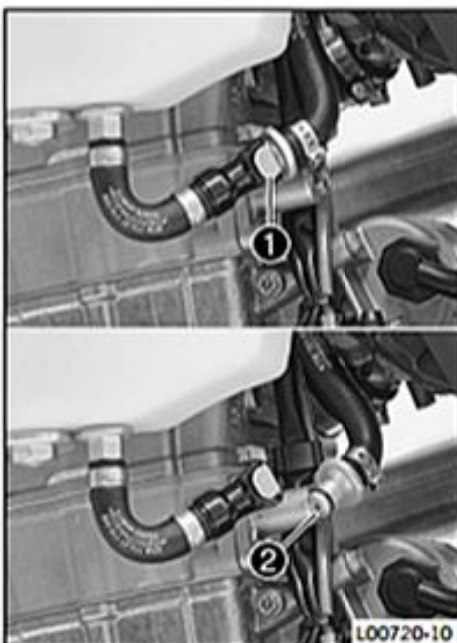
Danger of poisoning Fuel is poisonous and a health hazard.

- Fuel must not come into contact with the skin, eyes, or clothing. Do not breathe in the fuel vapors. If contact occurs with the eyes, rinse with water immediately and contact a physician. Immediately clean contaminated areas on the skin with soap and water. If fuel is swallowed, contact a physician immediately. Change clothing that is contaminated with fuel.


Warning

Environmental hazard Improper handling of fuel is a danger to the environment.

- Do not allow fuel to get into the ground water, the ground, or the sewage system.



- Clean the plug-in connection **1** of the fuel line thoroughly with compressed air.


Info

Under no circumstances should dirt enter into the fuel line. Dirt in the fuel line clogs the injection valve.

- Disconnect the plug-in connection of the fuel line.
- Pull fuel screen **2** out of the connecting piece.
- Insert the new fuel screen all the way into the connecting piece.
- Lubricate the O-ring and connect plug-in connection of the fuel line.


Danger

Danger of poisoning Exhaust gases are toxic and inhaling them may result in unconsciousness and/or death.

- When running the engine, always make sure there is sufficient ventilation, and do not start or run the engine in an enclosed space without an effective exhaust extraction system.

- Start the motor and check the response.

12.8 Changing the fuel filter

- Danger**
Fire hazard Fuel is highly flammable.
- Never refuel the vehicle near open flames or burning cigarettes, and always switch off the engine first. Be careful that no fuel is spilt, especially on hot vehicle components. Clean up spilt fuel immediately.
 - The fuel in the fuel tank expands when warm and may emerge if overfilled. Follow the instructions on refueling.

- Warning**
Danger of poisoning Fuel is poisonous and a health hazard.
- Fuel must not come into contact with the skin, eyes, or clothing. Do not breathe in the fuel vapors. If contact occurs with the eyes, rinse with water immediately and contact a physician. Immediately clean contaminated areas on the skin with soap and water. If fuel is swallowed, contact a physician immediately. Change clothing that has been contaminated with fuel. Store fuel properly in a suitable canister and keep away from children.

- Warning**
Environmental hazard Improper handling of fuel is a danger to the environment.
- Do not allow fuel to get into the ground water, the ground, or the sewage system.

Preparatory work

- Drain the fuel from the fuel tank into a suitable container.
- Remove the seat. (↖ p. 89)
- Remove the fuel tank. (↖ p. 90)

Main work

- Remove nut ① with the gasket.
- Remove fuel connection ② with the gasket.

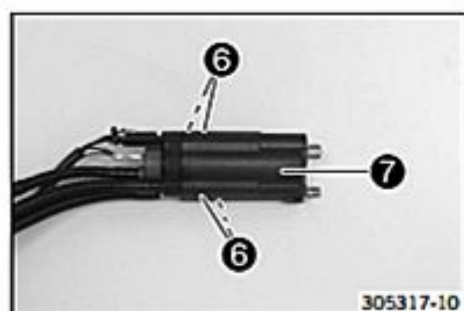


- Remove screws ③.
- Pull out the fuel pump.

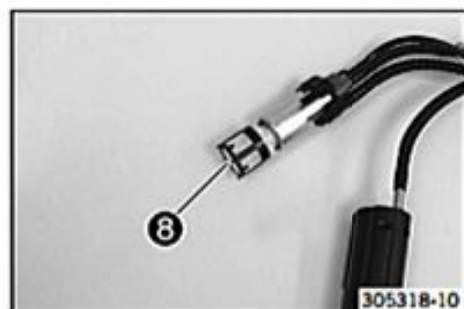


- Remove hose clamps ④.
- Remove fuel filter ⑤.

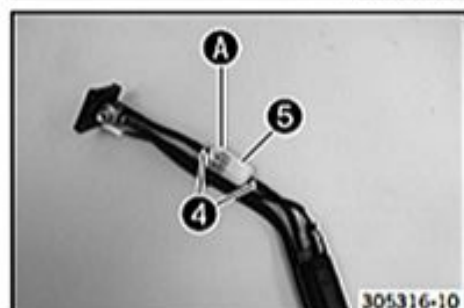




- Press lock ⑥.
- Pull back fuel pump housing ⑦.



- Change fuel screen ⑧.
- Mount the fuel pump housing.



- Mount fuel filter ⑤.
- ✓ Arrow A points away from the fuel pump.
- Mount hose clamps ④.

Hose clamp pliers (60029057000) (☞ p. 312)



- Position the fuel pump.
- Mount fuel connection ② with the gasket but do not tighten yet.

Guideline

Fuel connection on fuel pump	M8	10 Nm (7.4 lbf ft)
------------------------------	----	--------------------

- Mount and tighten nut ① with the gasket.

Guideline

Nut, fuel pump fixation	M12	15 Nm (11.1 lbf ft)
-------------------------	-----	---------------------

- Tighten fuel connection ②.

Guideline

Fuel connection on fuel pump	M8	10 Nm (7.4 lbf ft)
------------------------------	----	--------------------

- Mount and tighten screws ③.

Guideline

Screw, fuel pump	EJOT PT®	3 Nm (2.2 lbf ft)
------------------	----------	-------------------



Finishing work

- Install the fuel tank. (☞ p. 91)
- Mount the seat. (☞ p. 90)

12.9 Changing the fuel pump

Danger
Fire hazard Fuel is highly flammable.

- Never refuel the vehicle near open flames or burning cigarettes, and always switch off the engine first. Be careful that no fuel is spilt, especially on hot vehicle components. Clean up spilt fuel immediately.
- The fuel in the fuel tank expands when warm and may emerge if overfilled. Follow the instructions on refueling.

Warning
Danger of poisoning Fuel is poisonous and a health hazard.

- Fuel must not come into contact with the skin, eyes, or clothing. Do not breathe in the fuel vapors. If contact occurs with the eyes, rinse with water immediately and contact a physician. Immediately clean contaminated areas on the skin with soap and water. If fuel is swallowed, contact a physician immediately. Change clothing that has been contaminated with fuel. Store fuel properly in a suitable canister and keep away from children.

Warning
Environmental hazard Improper handling of fuel is a danger to the environment.

- Do not allow fuel to get into the ground water, the ground, or the sewage system.

Preparatory work

- Drain the fuel from the fuel tank into a suitable container.
- Remove the seat. (☛ p. 89)
- Remove the fuel tank. (☛ p. 90)

Main work

- Remove nut ① with the gasket.
- Remove fuel connection ② with the gasket.



- Remove screws ③.
- Pull out the fuel pump.



- Position the fuel pump.
- Mount fuel connection ② with the gasket but do not tighten yet.

Guideline

Fuel connection on fuel pump	M8	10 Nm (7.4 lbf ft)
------------------------------	----	--------------------

- Mount and tighten nut ① with the gasket.

Guideline

Nut, fuel pump fixation	M12	15 Nm (11.1 lbf ft)
-------------------------	-----	---------------------

- Tighten fuel connection ②.

Guideline

Fuel connection on fuel pump	M8	10 Nm (7.4 lbf ft)
------------------------------	----	--------------------



- Mount and tighten screws ③.

Guideline

Screw, fuel pump	EJOT PT®	3 Nm (2.2 lbf ft)
------------------	----------	-------------------

12.10 Checking the fuel pressure

Danger
Fire hazard Fuel is highly flammable.

- Never refuel the vehicle near open flames or burning cigarettes, and always switch off the engine first. Be careful that no fuel is spilled, especially on hot vehicle components. Clean up spilled fuel immediately.
- The fuel in the fuel tank expands when warm and may emerge if overfilled. Follow the instructions on refueling.

Warning
Danger of poisoning Fuel is poisonous and a health hazard.

- Fuel must not come into contact with the skin, eyes, or clothing. Do not breathe in the fuel vapors. If contact occurs with the eyes, rinse with water immediately and contact a physician. Immediately clean contaminated areas on the skin with soap and water. If fuel is swallowed, contact a physician immediately. Change clothing that has been contaminated with fuel. Store fuel properly in a suitable canister and keep away from children.

Condition

The fuel tank is full.
 Ensure that the battery voltage does not drop below 12.5 V.
 The diagnostics tool is disconnected.

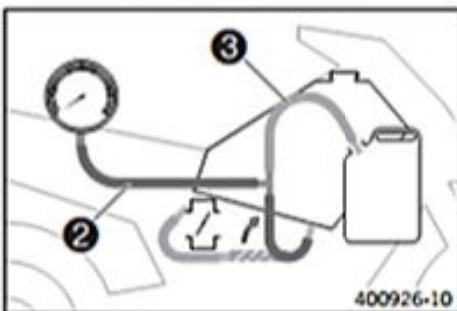


- Thoroughly clean the plug-in connection of the fuel line using compressed air.

Info
 Under no circumstances should dirt enter into the fuel line. Dirt in the fuel line clogs the injection valve.

- Press on the small metal plate and disconnect fuel hose connection ①.

Info
 Remaining fuel may flow out of the fuel hose.



- Mount special tool ②.

Pressure testing tool (61029094000) (☞ p. 313)
--

- Mount special tool ③ with nozzle label 0,60.

Testing hose (61029093000) (☞ p. 313)

- Position the hose end in a fuel cannister.

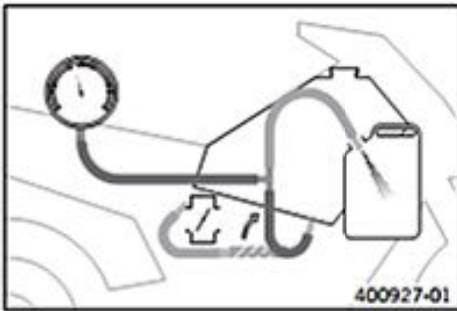
Guideline

Minimum size of fuel cannister	10 l (2.6 US gal)
--------------------------------	-------------------

- Connect the diagnostics tool and start it.
- Select the "Function test of fuel pump control" actuator test.

Guideline

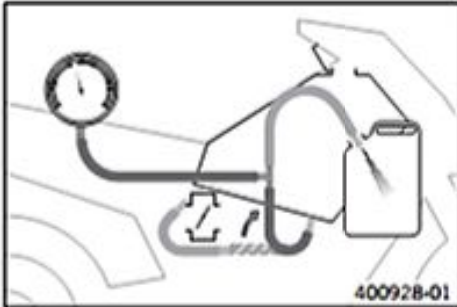
Maximum duration of the actuator test	3 min
---------------------------------------	-------



- Check the fuel pressure with the filler cap closed.

Fuel pressure	
When the fuel pump is active	3.35... 3.65 bar (48.6... 52.9 psi)

- If the specification is not reached:
 - Open the filler cap. (☛ p. 89)
 - Check the tank air vent system.



- Check the fuel pressure with the filler cap open.

Fuel pressure	
When the fuel pump is active	3.35... 3.65 bar (48.6... 52.9 psi)

- If the specification is not reached:
 - Check that the fuel line is clear.
 - Change the fuel filter. (☛ p. 93)
 - Change the fuel pump. (☛ p. 95)

- Stop the "Function test of fuel pump control" actuator test by pressing the "Quit" button.
- Remove the special tools.
- Join the fuel hose connection.

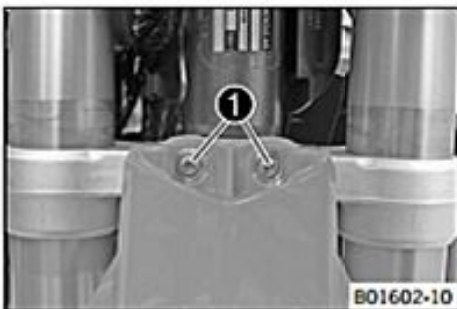
13.1 Removing the front fender

Preparatory work

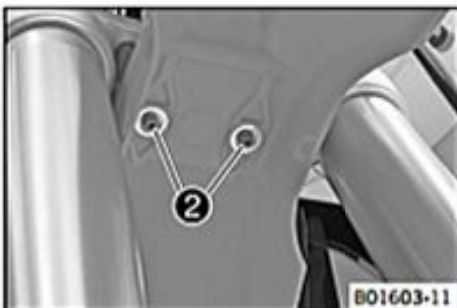
- Remove the headlight mask with the headlight. (☛ p. 98)

Main work

- Remove screws ①.



- Remove screws ②. Remove the front fender.



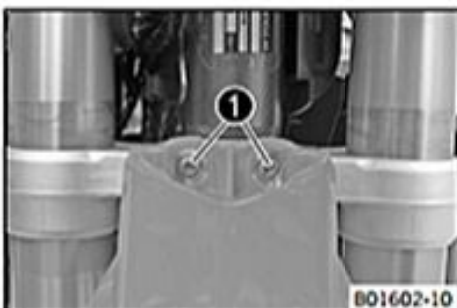
13.2 Installing the front fender

Main work

- Position the front fender. Mount and tighten screws ①.

Guideline

Remaining screws, chassis	M6	10 Nm (7.4 lbf ft)
---------------------------	----	--------------------



- Mount and tighten screws ②.

Guideline

Remaining screws, chassis	M6	10 Nm (7.4 lbf ft)
---------------------------	----	--------------------



Finishing work

- Refit the headlight mask with the headlight. (☛ p. 99)
- Check the headlight setting. (☛ p. 125)

13.3 Removing headlight mask with headlight



- Switch off all electrical equipment.
- Remove screw ① and take off clamp.
- Loosen the rubber band ②. Push up the headlight mask and swing it forwards.



- Detach electrical plug-in connection ③ and take off the headlight mask with the headlight.

13.4 Refitting the headlight mask with the headlight

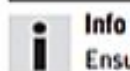


Main work

- Connect the electrical plug-in connection ①.



- Position the headlight mask and fix it with the rubber band ②.



Info

Ensure that the retaining lugs engage in the fender.

- Position the brake line and wiring harness. Put the clamp on, mount and tighten screw ③.

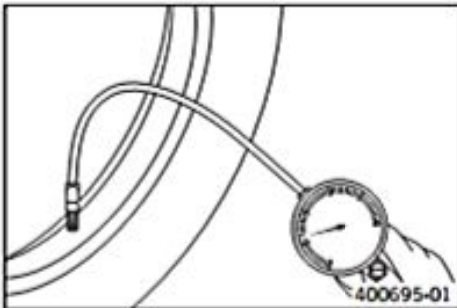
Finishing work

- Check the headlight setting. (☛ p. 125)

14.1 Checking the tire air pressure

i Info

Low tire air pressure leads to abnormal wear and overheating of the tire. Correct tire air pressure ensures optimal riding comfort and maximum tire service life.



- Remove the protection cap.
- Check the tire air pressure when the tires are cold.

Tire air pressure off road	
Front	1.0 bar (15 psi)
Rear	1.0 bar (15 psi)

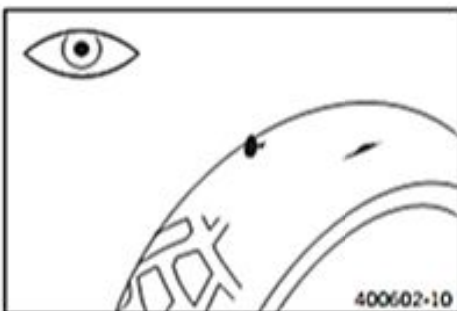
Road tire pressure (all EXC models)	
Front	1.5 bar (22 psi)
Rear	1.5 bar (22 psi)

- If the tire air pressure does not meet specifications:
 - Correct the tire air pressure.
- Mount protection cap.

14.2 Checking the tire condition

i Info

Only mount tires approved and/or recommended by KTM. Other tires could have a negative effect on handling characteristics. The type, condition, and air pressure of the tires all have a significant impact on the handling characteristics of the motorcycle. The tires mounted on the front and rear wheels must have a similar profile. Worn tires have a negative effect on handling characteristics, especially on wet surfaces.



- Check the front and rear tires for cuts, run-in objects, and other damage.
 - If the tire exhibits cuts, run-in objects, or other damage:
 - Change the tire.
- Check the depth of the tread.

i Info

Note local national regulations concerning the minimum tread depth.

Minimum tread depth	≥ 2 mm (≥ 0.08 in)
---------------------	--------------------

- If the tread depth is less than the minimum permissible depth:
 - Change the tire.
- Check the tire age.

i Info

The tire's date of manufacture is usually part of the tire markings and is indicated by the last four digits of the **DOT** marking. The first two digits indicate the week of manufacture and the last two digits the year of manufacture.

KTM recommends that the tires be changed after 5 years at the latest, regardless of the actual state of wear.

- If the tire is older than five years:
 - Change the tire.

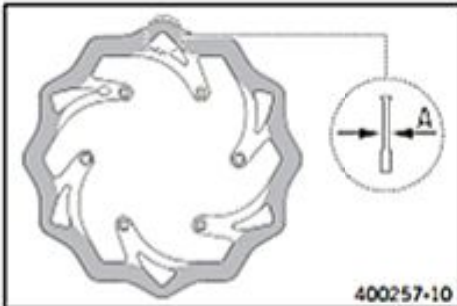
14.3 Checking the brake discs



Warning

Danger of accidents Reduced braking efficiency due to worn brake disc(s).

- Change the worn brake disc(s) without delay.



- Check the thickness of the front and rear brake discs at several places on the disk to see if it conforms to measurement **A**.



Info

Wear reduces the thickness of the brake disc around the area used by the brake linings.

Brake discs - wear limit

Front	2.5 mm (0.098 in)
Rear	3.5 mm (0.138 in)

- If the brake disc thickness is less than the specified value:
 - Change the brake disc.
- Check the front and rear brake discs for damage, cracking and deformation.
 - If the brake disc shows signs of damage, cracking, or deformation:
 - Change the brake disc.

14.4 Checking spoke tension



Warning

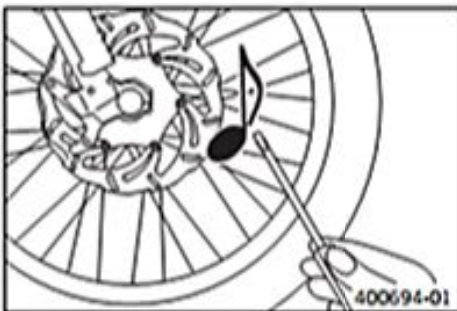
Danger of accidents Instable handling due to incorrect spoke tension.

- Ensure that the spoke tension is correct.



Info

A loose spoke can cause wheel imbalance, which leads to more loose spokes in a short time. If the spokes are too tight, they can break due to local overload. Check the spoke tension regularly, especially on a new motorcycle.



- Tap each spoke with a screwdriver.



Info

The sound frequency depends on the length and thickness of the spoke. If there are different sound frequencies in spokes with the same length and thickness, this indicates different spoke tensions.

You should hear a high note.

- If the spoke tension varies:
 - Correct the spoke tension.
- Check the spoke torque.

Guideline

Spoke nipple, front wheel	M4.5	5... 6 Nm (3.7... 4.4 lbf ft)
Spoke nipple, rear wheel	M4.5	5... 6 Nm (3.7... 4.4 lbf ft)

Torque wrench with various accessories in set (58429094000) (☛ p. 311)

14.5 Front wheel

14.5.1 Removing the front wheel



Preparatory work

- Raise the motorcycle with the lift stand. (☛ p. 11)

Main work

- Press the brake caliper onto the brake disc by hand in order to push back the brake pistons.



Info

Make sure when pushing back the brake pistons that you do not press the brake caliper against the spokes.



- Loosen screw ❶ by several turns.
- Release screws ❷.
- Press on screw ❶ to push the wheel spindle out of the axle clamp.
- Remove screw ❶.

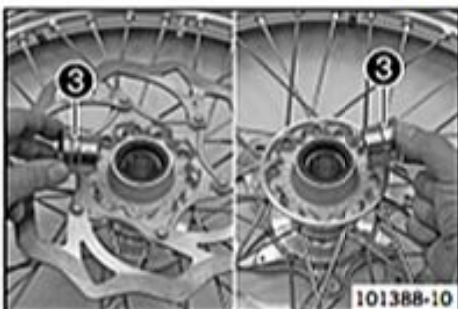


- Holding the front wheel, withdraw the wheel spindle. Take the front wheel out of the fork.



Info

Do not pull the hand brake lever when the front wheel is removed. Always lay the wheel down in such a way that the brake disc is not damaged.



- Remove spacers ❸.

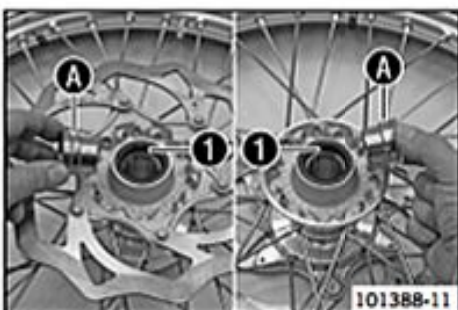
14.5.2 Installing the front wheel



Warning

Danger of accidents Reduced braking efficiency due to oil or grease on the brake discs.

- Always keep the brake discs free of oil and grease, and clean them with brake cleaner when necessary.



- Check the wheel bearing for damage and wear.
 - If the wheel bearing is damaged or worn:
 - Change the wheel bearing.
- Clean and grease shaft seal rings ❶ and bearing surface ❶ of the spacers.

Long-life grease (☛ p. 307)

- Insert the spacers.



- Position the front wheel and insert the wheel spindle.
- ✓ The brake linings are correctly positioned.
- Mount and tighten screw ②.

Guideline

Screw, front wheel spindle	M24x1.5	45 Nm (33.2 lbf ft)
----------------------------	---------	------------------------

- Activate the hand brake lever multiple times until the brake linings are in contact with the brake disc.
- Remove the motorcycle from the lift stand. (☛ p. 11)
- Pull the front wheel brake and push down hard on the fork several times to align the fork legs.
- Fully tighten screw ③.

Guideline

Screw, fork stub	M8	15 Nm (11.1 lbf ft)
------------------	----	------------------------

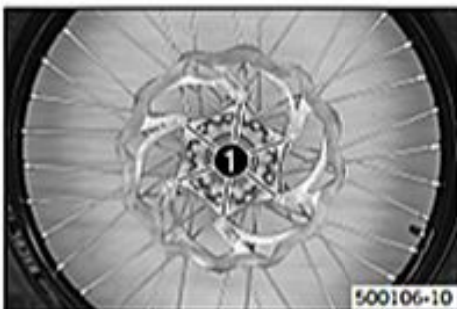
14.5.3 Removing the front brake disc

Preparatory work

- Raise the motorcycle with the lift stand. (☛ p. 11)
- Remove the front wheel. (☛ p. 102)

Main work

- Remove screws ①. Take off the brake disc.



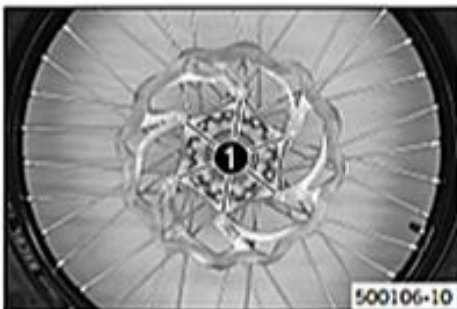
14.5.4 Installing the front brake disc

Main work

- Clean the contact surface of the brake disc.
- Position the brake disc with the label facing outward. Mount and tighten screws ①.

Guideline

Screw, front brake disc	M6	14 Nm (10.3 lbf ft)	Loctite® 243™
-------------------------	----	------------------------	---------------



Finishing work

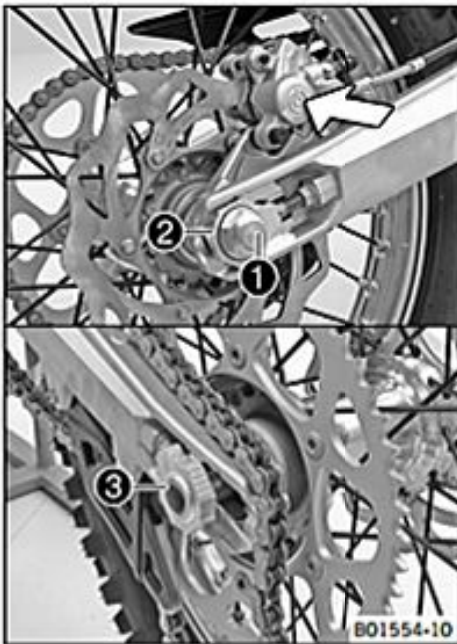
- Install the front wheel. (☛ p. 102)

14.6 Rear wheel

14.6.1 Removing the rear wheel

Preparatory work

- Raise the motorcycle with the lift stand. (☛ p. 11)



Main work

- Press the brake caliper by hand on to the brake disc in order to press back the brake piston.



Info

Make sure when pushing back the brake piston that you do not press the brake caliper against the spokes.

- Remove nut ①.
- Remove chain adjuster ②. Withdraw wheel spindle ③ only enough to allow the rear wheel to be pushed forward.
- Push the rear wheel forward as far as possible. Remove the chain from the rear sprocket.



Info

Cover the components to protect them against damage.

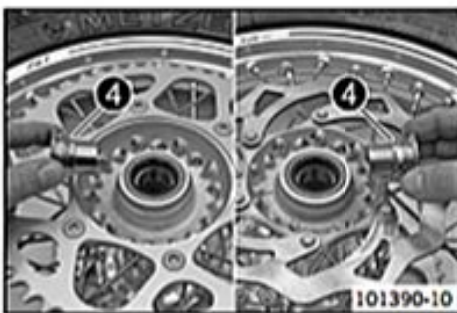
- Holding the rear wheel, withdraw the wheel spindle. Take the rear wheel out of the swingarm.



Info

Do not operate the foot brake when the rear wheel is removed. Always lay the wheel down in such a way that the brake disc is not damaged.

- Remove spacers ④.



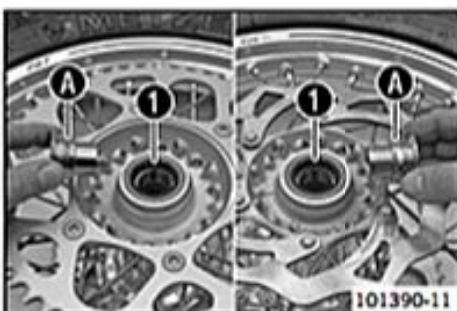
14.6.2 Installing the rear wheel



Warning

Danger of accidents Reduced braking efficiency due to oil or grease on the brake discs.

- Always keep the brake discs free of oil and grease, and clean them with brake cleaner when necessary.



Main work

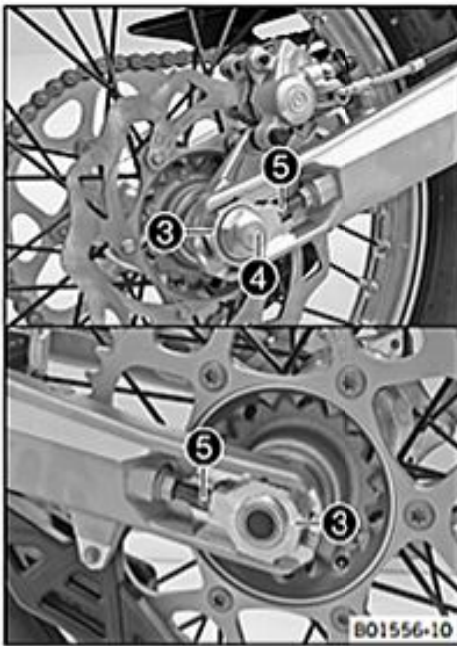
- Check the wheel bearing for damage and wear.
 - If the wheel bearing is damaged or worn:
 - Change the wheel bearing.
- Clean and grease shaft seal rings ① and bearing surface A of the spacers.

Long-life grease (☛ p. 307)

- Insert the spacers.

- Position the rear wheel and insert wheel spindle ②.
 - ✓ The brake linings are correctly positioned.
- Attach the chain.





- Position chain adjuster ③. Mount nut ④ but do not tighten it yet.
- Make sure that chain adjusters ③ are fitted correctly on adjusting screws ⑤.
- Check the chain tension. (☞ p. 106)
- Tighten nut ④.

Guideline

Nut, rear wheel spindle	M20x1.5	80 Nm (59 lbf ft)
-------------------------	---------	-------------------

Info

The wide adjustment range of the chain adjusters (32 mm (1.26 in)) enables different secondary ratios with the same chain length. Chain adjusters ③ can be turned by 180°.

- Operate the foot brake lever repeatedly until the brake linings are in contact with the brake disc and there is a pressure point.

Finishing work

- Remove the motorcycle from the lift stand. (☞ p. 11)

14.6.3 Removing the rear brake disc

Preparatory work

- Raise the motorcycle with the lift stand. (☞ p. 11)
- Remove the rear wheel. (☞ p. 103)

Main work

- Remove screws ①. Take off the brake disc.



14.6.4 Installing the rear brake disc

Main work

- Clean the contact surface of the brake disc.
- Position the brake disc with the label facing outward. Mount and tighten screws ①.

Guideline

Screw, rear brake disc	M6	14 Nm (10.3 lbf ft)	Loctite® 243™
------------------------	----	---------------------	---------------

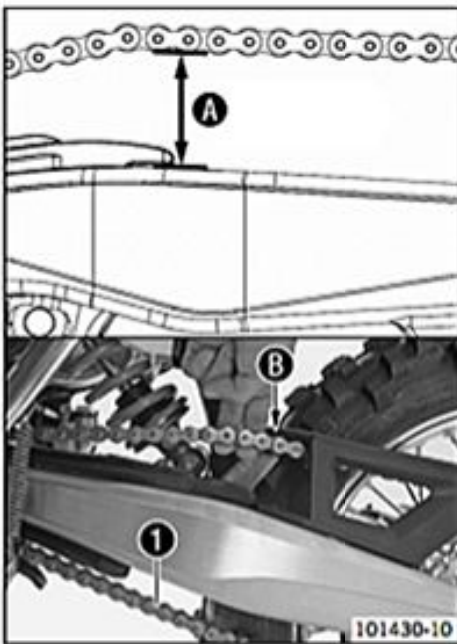


Finishing work

- Install the rear wheel. (☞ p. 104)
- Remove the motorcycle from the lift stand. (☞ p. 11)

14.6.5 Checking the chain tension

- Warning**
Danger of accidents Danger caused by incorrect chain tension.
- If the chain is too taut, the components of the secondary power transmission (chain, engine sprocket, rear sprocket, bearings in the transmission and in the rear wheel) will be under additional load. In addition to premature wear, this can cause the chain or the countershaft of the transmission to break in extreme cases. If the chain is too loose, however, it may fall off the engine sprocket or rear sprocket and block the rear wheel or damage the engine. Ensure that the chain tension is correct and adjust it if necessary.



Preparatory work

- Raise the motorcycle with the lift stand. (☛ p. 11)

Main work

- Pull the chain at the end of the chain sliding component upwards to measure chain tension **A**.

Info

The lower chain section **1** must be taut. When the chain guard is mounted, it must be possible to pull up the chain at least to the point where it makes contact with chain guard **B**. Chain wear is not always even, so you should repeat this measurement at different chain positions.

Chain tension	55... 58 mm (2.17... 2.28 in)
---------------	-------------------------------

- If the chain tension does not meet specifications:
 - Adjust the chain tension. (☛ p. 106)

Finishing work

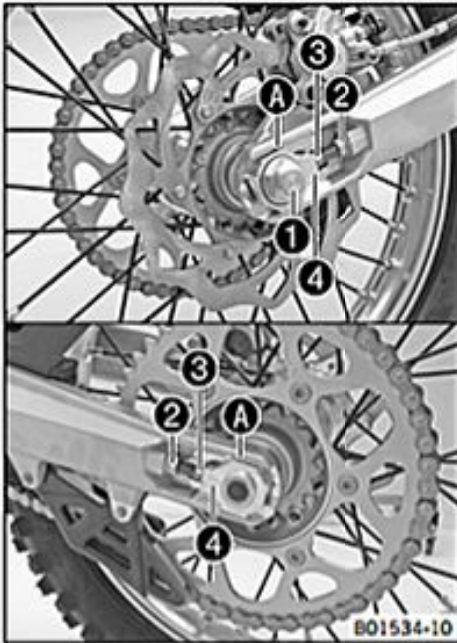
- Remove the motorcycle from the lift stand. (☛ p. 11)

14.6.6 Adjusting the chain tension

- Warning**
Danger of accidents Danger caused by incorrect chain tension.
- If the chain is too taut, the components of the secondary power transmission (chain, engine sprocket, rear sprocket, bearings in the transmission and in the rear wheel) will be under additional load. In addition to premature wear, this can cause the chain or the countershaft of the transmission to break in extreme cases. If the chain is too loose, however, it may fall off the engine sprocket or rear sprocket and block the rear wheel or damage the engine. Ensure that the chain tension is correct and adjust it if necessary.

Preparatory work

- Raise the motorcycle with the lift stand. (☛ p. 11)
- Check the chain tension. (☛ p. 106)



Main work

- Loosen nut ①.
- Loosen nuts ②.
- Adjust the chain tension by turning adjusting screws ③ left and right.

Guideline

Chain tension	55... 58 mm (2.17... 2.28 in)
Turn adjusting screws ③ on the left and right so that the markings on the left and right chain adjusters are in the same position relative to reference marks A. The rear wheel is then correctly aligned.	

- Tighten nuts ②.
- Make sure that the chain adjusters ④ are fitted correctly on the adjusting screws ③.
- Tighten nut ①.

Guideline

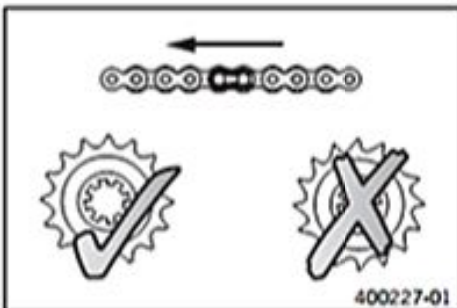
Nut, rear wheel spindle	M20x1.5	80 Nm (59 lbf ft)
-------------------------	---------	-------------------

i Info
The wide adjustment range of the chain adjusters (32 mm (1.26 in)) enables different secondary ratios with the same chain length. Chain adjusters ④ can be turned by 180°.

Finishing work

- Remove the motorcycle from the lift stand. (☛ p. 11)

14.6.7 Checking the chain, rear sprocket, engine sprocket and chain guide



Preparatory work

- Raise the motorcycle with the lift stand. (☛ p. 11)

Main work

- Shift gear to neutral.
- Check the rear sprocket and engine sprocket for wear.
 - If the rear sprocket or engine sprocket is worn:
 - Change the power set.

i Info
The engine sprocket, rear sprocket and chain should always be replaced together.

- Pull on the upper part of the chain with the specified weight A.

Guideline

Weight of chain wear measurement	10... 15 kg (22... 33 lb.)
----------------------------------	----------------------------

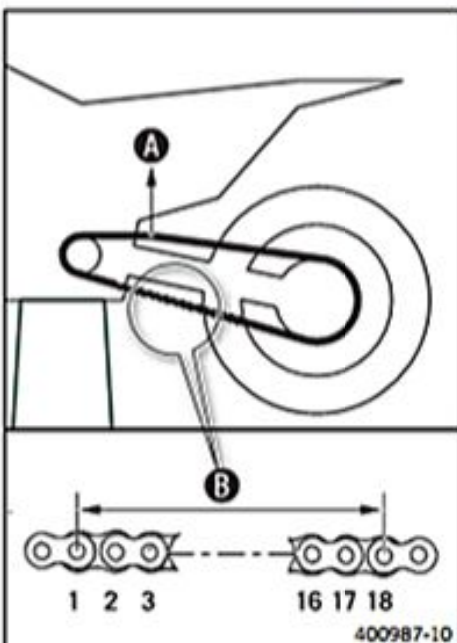
- Measure the distance B of 18 chain links in the lower chain section.

i Info
Chain wear is not always even, so you should repeat this measurement at different chain positions.

Maximum distance B at the longest chain section	272 mm (10.71 in)
---	-------------------

- If the distance B is greater than the specified measurement:
 - Change the power set.

i Info
When the chain is replaced, the rear sprocket and engine sprocket should also be changed. New chains wear out faster on old, worn sprockets.

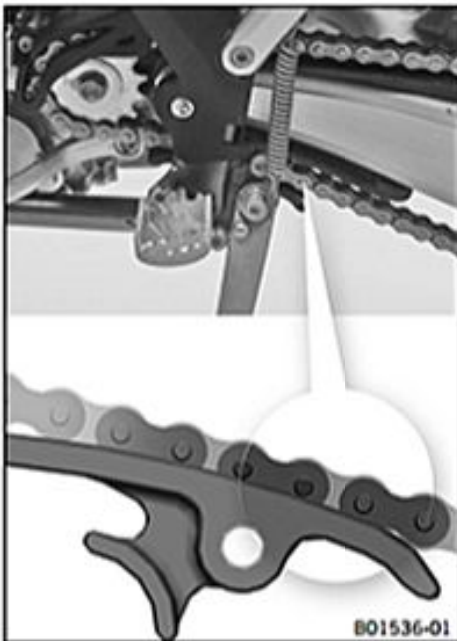




- Check the chain sliding guard for wear.
 - If the bottom edge of the chain bolt is in line with or below the chain sliding guard:
 - Change the chain sliding guard.
- Check that the chain sliding guard is firmly seated.
 - If the chain sliding guard is loose:
 - Tighten the screws on the chain sliding guard.

Guideline

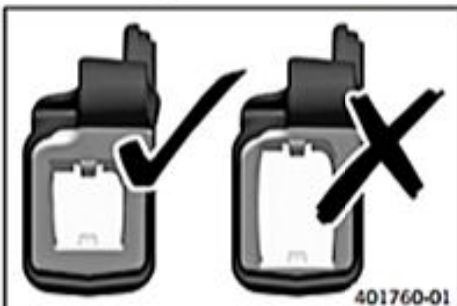
Screw, chain sliding guard	M6	6 Nm (4.4 lbf ft)	Loctite® 243™
----------------------------	----	----------------------	---------------



- Check the chain sliding piece for wear.
 - If the bottom edge of the chain bolt is in line with or below the chain sliding piece:
 - Change the chain sliding piece.
- Check that the chain sliding piece is firmly seated.
 - If the chain sliding piece is loose:
 - Tighten the screw of the chain sliding piece.

Guideline

Screw, chain sliding piece	M8	15 Nm (11.1 lbf ft)	
----------------------------	----	------------------------	--



- Check the chain guide for wear.



Info

Wear is visible on the front of the chain guide.

- If the light part of the chain guide is worn:
 - Change the chain guide.



- Check that the chain guide is firmly seated.
 - If the chain guide is loose:
 - Tighten the screws on the chain guide.

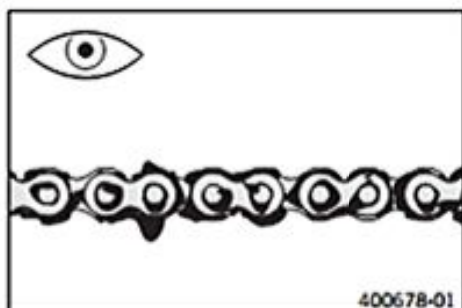
Guideline

Remaining screws, chassis	M6	10 Nm (7.4 lbf ft)	
Remaining nuts, chassis	M6	10 Nm (7.4 lbf ft)	

Finishing work

- Remove the motorcycle from the lift stand. (☛ p. 11)

14.6.8 Checking for chain dirt accumulation



- Check the chain for coarse dirt accumulation.
 - If the chain is very dirty:
 - Clean the chain. (☞ p. 109)

14.6.9 Cleaning the chain

**Warning**

Danger of accidents Oil or grease on the tires reduces their grip.

- Remove oil and grease with a suitable cleaning material.

**Warning**

Danger of accidents Reduced braking efficiency due to oil or grease on the brake discs.

- Always keep the brake discs free of oil and grease, and clean them with brake cleaner when necessary.

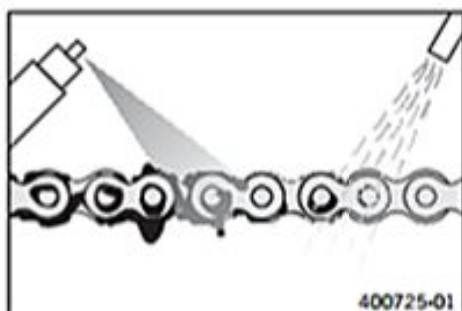
**Warning**

Environmental hazard Hazardous substances cause environmental damage.

- Oil, grease, filters, fuel, cleaners, brake fluid, etc., should be disposed of as stipulated in applicable regulations.

**Info**

The service life of the chain depends largely on its maintenance.

**Preparatory work**

- Raise the motorcycle with the lift stand. (☞ p. 11)

Main work

- Clean the chain regularly and then treat with chain spray.

Chain cleaner (☞ p. 307)
Off-road chain spray (☞ p. 308)

Finishing work

- Remove the motorcycle from the lift stand. (☞ p. 11)

15.1 Changing the main fuse

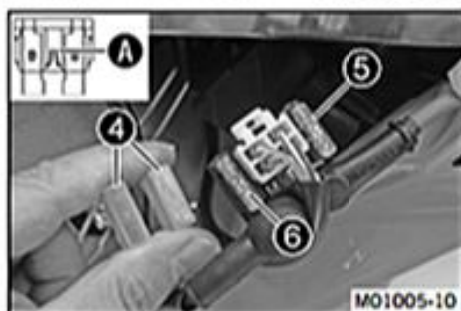
**Warning**

Fire hazard The electrical system can be overloaded if the wrong fuses are used.

- Use only fuses with the prescribed amperage. Never bypass or repair fuses.

**Info**

The main fuse protects all power consumers of the vehicle. It is located in the starter relay housing under the air filter box cover.

**Preparatory work**

- Switch off all power consumers and the engine.
- Remove the air filter box lid. (☛ p. 86)

Main work

- Remove screw 1.
- Lift rear fairing 2 slightly and pull starter relay 3 out of the holder.

- Remove protection caps 4.
- Remove the faulty main fuse 5.

**Info**

A defective fuse can be identified by the burned-out fuse wire A.
A reserve fuse 6 is located in the starter relay.

- Install a new main fuse.

Fuse (58011109120) (☛ p. 220)

- Check that the electrical equipment is functioning properly.

**Tip**

Insert the spare fuse so that it is available if needed.

- Mount the protection caps.
- Mount the starter relay onto the holder and lay the cable.
- Position the rear fairing. Mount and tighten the screw.

Guideline

Remaining screws, chassis	M6	10 Nm (7.4 lbf ft)
---------------------------	----	--------------------

Finishing work

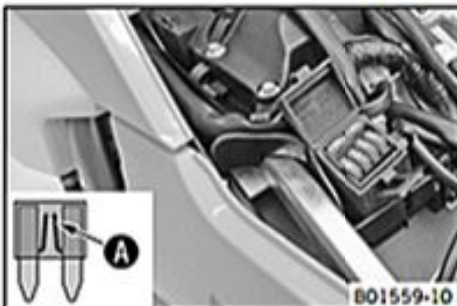
- Install the air filter box lid. (☛ p. 86)

15.2 Changing the fuses of individual power consumers



Info

The fuse box containing the fuses of individual power consumers is located under the seat.



Preparatory work

- Switch off all power consumers and switch off the engine.
- Remove the seat. (☛ p. 89)

Main work

- Open fuse box cover ❶.

- Remove the defective fuse.

Guideline

Fuse 1 - 10 A - EFI control unit
Fuse 2 - 10 A - fuel pump
Fuse 3 - 10 A - high beam, low beam, parking light, tail light, license plate lamp
Fuse 4 - 10 A - horn, brake light, turn signal, radiator fan

(EXC USA)

Fuse 5 - 10 A - ignition
Fuses res - 10 A - spare fuses



Info

A defective fuse can be identified by the burned-out fuse wire ❷.



Warning

Fire hazard The electrical system can be overloaded if the wrong fuses are used.

- Use only fuses with the prescribed amperage. Never bypass or repair fuses.

- Use spare fuses with the correct rating only.

Fuse (75011088010) (☛ p. 220)



Tip

Replace the spare fuse in the fuse box so that it is available if needed.

- Check that the power consumer is functioning properly.
- Close the fuse box cover.

Finishing work

- Mount the seat. (☛ p. 90)

15.3 Removing the battery

- Warning**
- Risk of injury** Battery acid and battery gases cause serious chemical burns.
- Keep batteries out of the reach of children.
 - Wear suitable protective clothing and goggles.
 - Avoid contact with battery acid and battery gases.
 - Keep sparks and open flames away from the battery. Only charge in well-ventilated rooms.
 - In the event of skin contact, rinse with large amounts of water. If battery acid gets in the eyes, rinse with water for at least 15 minutes and contact a physician.



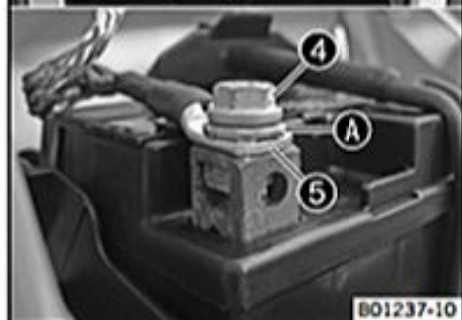
Preparatory work

- Switch off all power consumers and switch off the engine.
- Remove the seat. (☛ p. 89)

Main work

- Disconnect negative cable ① from the battery.
- Pull back positive terminal cover ② and disconnect the positive cable from the battery.
- Detach rubber band ③ at the bottom.
- Lift the battery up and out.

15.4 Installing the battery



Main work

- Insert battery into the battery compartment with the terminals facing to the front.
- Battery (YTX5L-BS) (☛ p. 220)
- Reconnect rubber band ①.
 - Connect positive cable ②.

Guideline

Screw, battery terminal	M5	2.5 Nm (1.84 lbf ft)
-------------------------	----	-------------------------



Info

Contact disk A must be mounted between screw ④ and cable socket ⑤ with the claws facing down.

- Slide positive terminal cover ⑥ over the positive terminal.
- Connect negative cable ③.

Guideline

Screw, battery terminal	M5	2.5 Nm (1.84 lbf ft)
-------------------------	----	-------------------------



Info

Contact disk A must be mounted between screw ④ and cable socket ⑤ with the claws facing down.

Finishing work

- Mount the seat. (☛ p. 90)

15.5 Checking the charging voltage



Condition

The battery must be fully functional and completely charged.

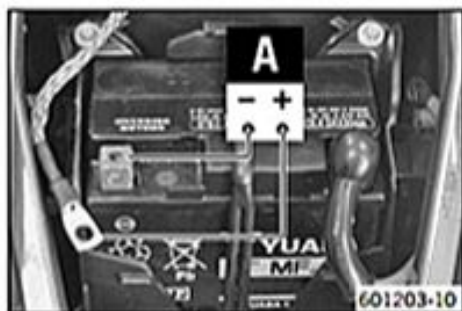
- Carry out the start procedure. (☛ p. 11)
- **V** Measure the voltage between the specified points.
Measuring point **Plus (+)** – Measuring point **Ground (-)**

Charging voltage	
5,000 rpm	13.5... 15.0 V

5,000 rpm	13.5... 15.0 V
-----------	----------------

- If the displayed value is less than the specified value:
 - Check the plug-in connections from the alternator to the voltage regulator.
 - Check the plug-in connectors from the voltage regulator to the wiring harness.
 - Check the stator winding of the alternator. (☛ p. 211)
- If the displayed value is greater than the specified value:
 - Change the voltage regulator.

15.6 Checking the quiescent current



Preparatory work

- Switch off all power consumers and switch off the engine.
- Remove the seat. (☛ p. 89)

Main work

- Disconnect the negative cable from the battery.
- Measure the current between battery ground (-) and the negative cable.

Info

The value of the quiescent current applies only to vehicles in the original state, i.e. without additional power consumers.

Maximum closed-circuit current	< 1.0 mA
--------------------------------	----------

- If the measured value is higher than the specified value:
 - Disconnect the voltage regulator from the wiring harness and perform the measurement again.

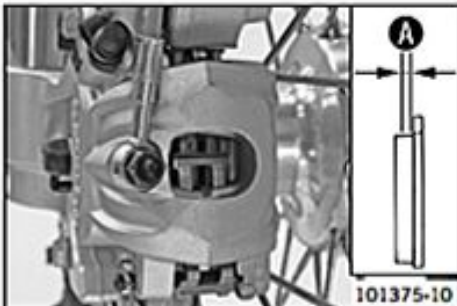
16.1 Checking the front brake linings



Warning

Danger of accidents Reduced braking efficiency caused by worn brake linings.

- Change worn brake linings immediately.



- Check the brake linings for minimum thickness **A**.

Minimum thickness A	$\geq 1 \text{ mm } (\geq 0.04 \text{ in})$
----------------------------	---

- If the minimum thickness is less than specified:
 - Change the front brake linings. (☛ p. 114)
- Check the brake linings for damage and cracking.
 - If damage or cracking is visible:
 - Change the front brake linings. (☛ p. 114)

16.2 Changing the front brake linings



Warning

Danger of accident Brake system failure.

- Maintenance work and repairs must be carried out professionally.



Warning

Skin irritation Brake fluid can cause skin irritation on contact.

- Avoid contact with skin and eyes, and keep out of the reach of children.
- Wear suitable protective clothing and goggles.
- If brake fluid comes into contact with the eyes, flush the eyes thoroughly with water and consult a physician immediately.



Warning

Danger of accidents Reduced braking efficiency due to old brake fluid.

- Change the brake fluid of the front and rear brake according to the service schedule.



Warning

Danger of accidents Reduced braking efficiency due to oil or grease on the brake discs.

- Always keep the brake discs free of oil and grease, and clean them with brake cleaner when necessary.



Warning

Danger of accidents Reduced braking efficiency due to use of non-approved brake linings.

- Brake linings available from accessory suppliers are often not tested and approved for use on KTM vehicles. The construction and friction factor of the brake linings and therefore the brake power can differ considerably from the original KTM brake linings. If brake linings are used that differ from the originals, there is no guarantee that they comply with the original license. The vehicle no longer corresponds to the condition at delivery, and the warranty is no longer valid.



Warning

Environmental hazard Hazardous substances cause environmental damage.

- Oil, grease, filters, fuel, cleaners, brake fluid, etc., should be disposed of as stipulated in applicable regulations.

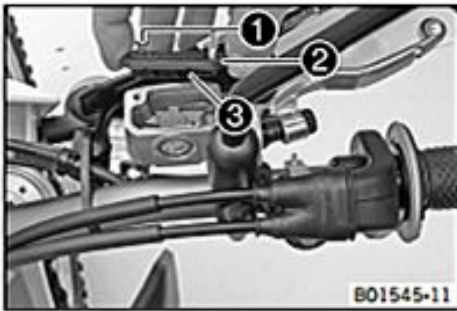


Info

Never use DOT 5 brake fluid. It is silicone-based and purple in color. Oil seals and brake lines are not designed for DOT 5 brake fluid.

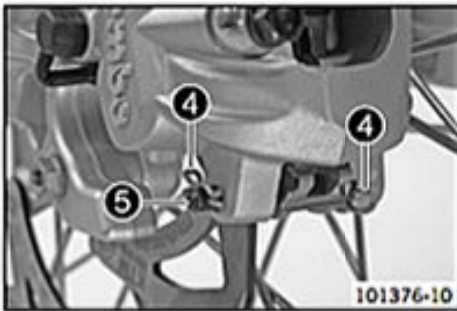
Avoid contact between brake fluid and painted parts. Brake fluid attacks paint!

Use only clean brake fluid from a sealed container.

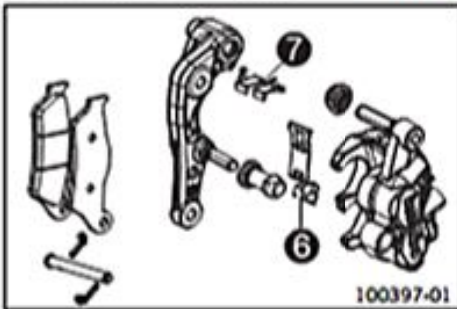


- Move the brake fluid reservoir mounted on the handlebar to a horizontal position.
- Remove screws 1.
- Remove cover 2 with membrane 3.
- Press the brake caliper onto the brake disc by hand in order to push back the brake pistons. Ensure that brake fluid does not flow out of the brake fluid reservoir, extracting it by suction if it does.

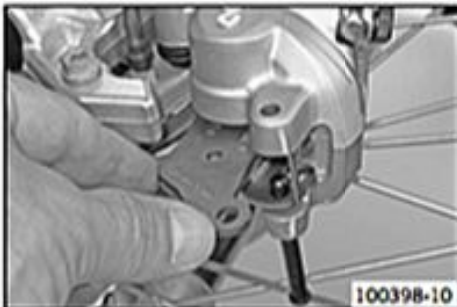
i Info
Make sure when pushing back the brake pistons that you do not press the brake caliper against the spokes.



- Remove cotter pins 4, pull out pin 5, and remove the brake linings.
- Clean the brake caliper and brake caliper support.



- Check that leaf spring 6 in the brake caliper and sliding plate 7 in the brake caliper support are seated correctly.



- Insert the new brake linings, insert the pin, and mount the cotter pins.

i Info
Always change the brake linings in pairs.

- Operate the hand brake lever repeatedly until the brake linings are in contact with the brake disc and there is a pressure point.



- Correct the brake fluid quantity to level A.

Guideline

Level A (brake fluid level below container rim)	5 mm (0.2 in)
---	---------------

Brake fluid DOT 4 / DOT 5.1 (☞ p. 306)

- Position the cover with the membrane. Mount and tighten the screws.

i Info
Clean up overflowed or spilt brake fluid immediately with water.

16.3 Checking free travel of hand brake lever

Warning

Danger of accidents Brake system failure.

- If there is no free travel on the hand brake lever, pressure builds up on the front brake circuit. The front brake can fail due to overheating. Adjust the free travel on hand brake lever according to specifications.



(all EXC models)

- Push the hand brake to the handlebar and check free travel **A**.

Free travel of hand brake lever	$\geq 3 \text{ mm } (\geq 0.12 \text{ in})$
---------------------------------	---

- If the free travel does not meet specifications:
 - Adjust the free travel of the hand brake lever. (☞ p. 116)



(XC-W)

- Push the hand brake lever forwards and check free travel **A**.

Free travel of hand brake lever	$\geq 3 \text{ mm } (\geq 0.12 \text{ in})$
---------------------------------	---

- If the free travel does not meet specifications:
 - Adjust the basic position of the hand brake lever. (☞ p. 116)

16.4 Adjusting the basic position of the hand brake lever (XC-W)



- Check the free travel of the hand brake lever. (☞ p. 116)
- Adjust the basic setting of the hand brake lever to your hand size by turning adjusting screw **1**.

Info

Turn the adjusting screw clockwise to increase the distance between the hand brake lever and the handlebar.
Turn the adjusting screw counterclockwise to decrease the distance between the hand brake lever and the handlebar.
The range of adjustment is limited.
Turn the adjusting screw by hand only, and do not apply any force.
Do not make any adjustments while riding!

16.5 Adjusting free travel of hand brake lever (all EXC models)



- Check the free travel of the hand brake lever. (☞ p. 116)
- Adjust the free travel of the hand brake lever with adjusting screw **1**.

Info

Turn the adjusting screw clockwise to reduce free travel. The pressure point moves away from the handlebar.
Turn the adjusting screw counterclockwise to increase free travel. The pressure point moves towards the handlebar.
The range of adjustment is limited.
Turn the adjusting screw by hand only, and do not apply any force.
Do not make any adjustments while riding!

16.6 Checking the brake fluid level of the front brake



Warning

Danger of accidents Brake system failure.

- If the brake fluid level drops below the specified marking or the specified value, this is an indication that the brake system is leaking or that the brake linings are completely worn down. Check the brake system and do not continue riding.



Warning

Danger of accidents Reduced braking efficiency due to old brake fluid.

- Change the brake fluid of the front and rear brake according to the service schedule.



- Move the brake fluid reservoir mounted on the handlebar to a horizontal position.
- Check the brake fluid level in level viewer 1.
 - If the brake fluid level has dropped below marking A:
 - Add front brake fluid. (☛ p. 117)

16.7 Adding front brake fluid



Warning

Danger of accidents Brake system failure.

- If the brake fluid level drops below the specified marking or the specified value, this is an indication that the brake system is leaking or that the brake linings are completely worn down. Check the brake system and do not continue riding.



Warning

Skin irritation Brake fluid can cause skin irritation on contact.

- Avoid contact with skin and eyes, and keep out of the reach of children.
- Wear suitable protective clothing and goggles.
- If brake fluid comes into contact with the eyes, flush the eyes thoroughly with water and consult a physician immediately.



Warning

Danger of accidents Reduced braking efficiency due to old brake fluid.

- Change the brake fluid of the front and rear brake according to the service schedule.



Warning

Environmental hazard Hazardous substances cause environmental damage.

- Oil, grease, filters, fuel, cleaners, brake fluid, etc., should be disposed of as stipulated in applicable regulations.

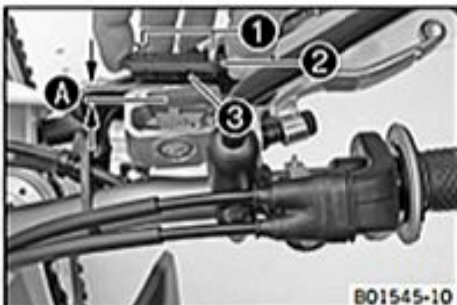


Info

Never use DOT 5 brake fluid. It is silicone-based and purple in color. Oil seals and brake lines are not designed for DOT 5 brake fluid.

Avoid contact between brake fluid and painted parts. Brake fluid attacks paint!

Use only clean brake fluid from a sealed container.



Preparatory work

- Check the front brake linings. (☛ p. 114)

Main work

- Move the brake fluid reservoir mounted on the handlebar to a horizontal position.
- Remove screws 1.
- Remove cover 2 with membrane 3.
- Add brake fluid to level A.

Guideline

Level A (brake fluid level below container rim)	5 mm (0.2 in)
---	---------------

Brake fluid DOT 4 / DOT 5.1 (☞ p. 306)

- Position the cover with the membrane. Mount and tighten the screws.



Info

Clean up overflowed or spilt brake fluid immediately with water.

16.8 Changing the front brake fluid



Warning

Skin irritation Brake fluid can cause skin irritation on contact.

- Avoid contact with skin and eyes, and keep out of the reach of children.
- Wear suitable protective clothing and goggles.
- If brake fluid comes into contact with the eyes, flush the eyes thoroughly with water and consult a physician immediately.



Warning

Environmental hazard Hazardous substances cause environmental damage.

- Oil, grease, filters, fuel, cleaners, brake fluid, etc., should be disposed of as stipulated in applicable regulations.



Info

Avoid contact between brake fluid and painted parts. Brake fluid attacks paint!
Use only clean brake fluid from a sealed container.



- Move the brake fluid reservoir mounted on the handlebar to a horizontal position.
- Cover the painted parts.
- Remove screws ①.
- Remove cover ② with membrane.
- Draw the old brake fluid out of the brake fluid reservoir using a syringe and fill with fresh brake fluid.

Bleed syringe (50329050000) (☞ p. 310)

Brake fluid DOT 4 / DOT 5.1 (☞ p. 306)

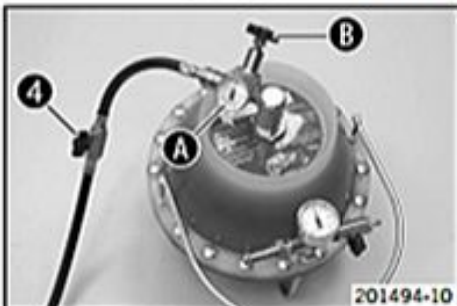


- Mount bleeder cover ③.

Bleeder cover (00029013005) (☞ p. 309)

- Connect the bleeding device.

Bleeding device (00029013100) (☞ p. 309)



- Open shut-off valve ④.



Info

Follow the operating instructions of the bleeding device.

- Ensure that the filling pressure is correctly set at pressure gauge ①. If necessary, adjust the filling pressure at pressure regulator ②.

Guideline

Filling pressure

2... 2.5 bar (29... 36 psi)



- Pull off protection cap ⑤ of the brake caliper bleeder screw. Connect the hose of the bleeder bottle.

Bleeding device (00029013100) (☞ p. 309)
--

- Open bleeder screw ⑥ by approx. one-half turn.



Info

Bleed until fresh brake fluid emerges from the bleeder bottle hose without bubbles.

- Tighten the bleeder screw.
- Close shut-off valve ④.
- Open the bleeder screw again until no more brake fluid emerges.



Info

This prevents overfilling of the brake fluid reservoir.

- Tighten the bleeder screw. Remove the hose of the bleeder bottle. Mount the protection cap.
- Disconnect the bleeding device. Remove the bleeder cover.
- Correct the brake fluid to level ③.

Guideline

Level ③	5 mm (0.2 in)
---------	---------------

Brake fluid DOT 4 / DOT 5.1 (☞ p. 306)
--

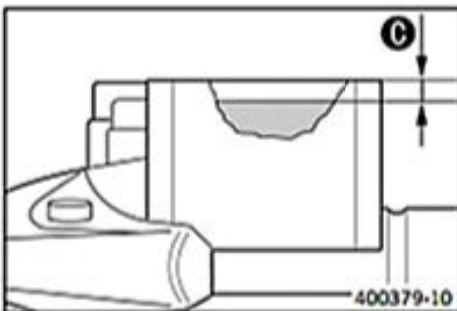
- Position the cover with the membrane. Mount and tighten the screws.



Info

Clean up overflowed or spilt brake fluid immediately with water.

- Check the hand brake lever for a firm pressure point.



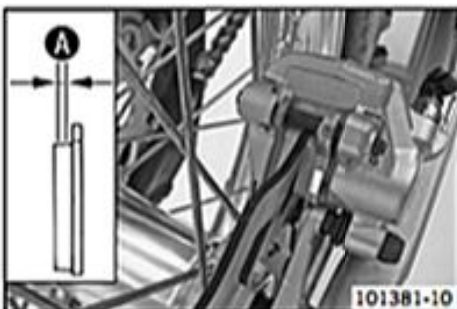
16.9 Checking the rear brake linings



Warning

Danger of accidents Reduced braking efficiency caused by worn brake linings.

- Change worn brake linings immediately.



- Check the brake linings for minimum thickness ①.

Minimum thickness ①	≥ 1 mm (≥ 0.04 in)
---------------------	--------------------

- If the minimum thickness is less than specified:
 - Change the rear brake linings. (☞ p. 119)
- Check the brake linings for damage and cracking.
 - If damage or cracking is visible:
 - Change the rear brake linings. (☞ p. 119)

16.10 Changing the rear brake linings



Warning

Danger of accident Brake system failure.

- Maintenance work and repairs must be carried out professionally.



Warning

Skin irritation Brake fluid can cause skin irritation on contact.

- Avoid contact with skin and eyes, and keep out of the reach of children.
- Wear suitable protective clothing and goggles.
- If brake fluid comes into contact with the eyes, flush the eyes thoroughly with water and consult a physician immediately.

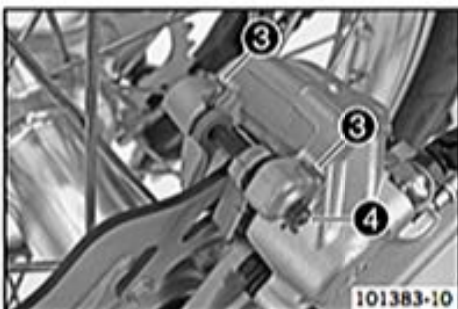
- Warning**
Danger of accidents Reduced braking efficiency due to old brake fluid.
 - Change the brake fluid of the front and rear brake according to the service schedule.
- Warning**
Danger of accidents Reduced braking efficiency due to oil or grease on the brake discs.
 - Always keep the brake discs free of oil and grease, and clean them with brake cleaner when necessary.
- Warning**
Danger of accidents Reduced braking efficiency due to use of non-approved brake linings.
 - Brake linings available from accessory suppliers are often not tested and approved for use on KTM vehicles. The construction and friction factor of the brake linings and therefore the brake power can differ considerably from the original KTM brake linings. If brake linings are used that differ from the originals, there is no guarantee that they comply with the original license. The vehicle no longer corresponds to the condition at delivery, and the warranty is no longer valid.
- Warning**
Environmental hazard Hazardous substances cause environmental damage.
 - Oil, grease, filters, fuel, cleaners, brake fluid, etc., should be disposed of as stipulated in applicable regulations.

i Info
 Never use DOT 5 brake fluid. It is silicone-based and purple in color. Oil seals and brake lines are not designed for DOT 5 brake fluid.
 Avoid contact between brake fluid and painted parts. Brake fluid attacks paint!
 Use only clean brake fluid from a sealed container.

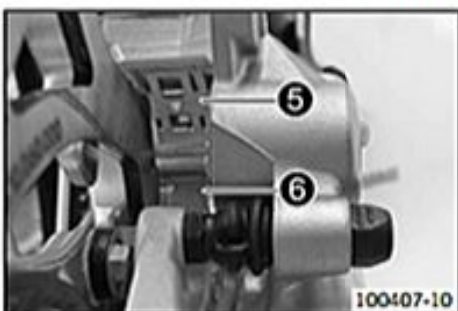


- Stand the vehicle upright.
- Remove screw cap 1 with membrane 2 and the O-ring.
- Press the brake piston back to its basic position and make sure that no brake fluid overflows from the brake fluid reservoir, extracting it if necessary.

i Info
 Make sure when pushing back the brake piston that you do not press the brake caliper against the spokes.



- Remove cotter pins 3, pull out pin 4, and remove the brake linings.
- Clean the brake caliper and brake caliper support.



- Check that leaf spring 5 in the brake caliper and sliding plate 6 in the brake caliper support are seated correctly.



- Insert the new brake linings, insert the pin, and mount the cotter pins.



Info

Always change the brake linings in pairs.

- Operate the foot brake lever repeatedly until the brake linings are in contact with the brake disc and there is a pressure point.



- Add brake fluid to level **A**.

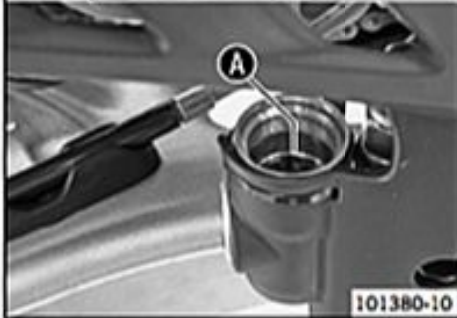
Brake fluid DOT 4 / DOT 5.1 (☞ p. 306)

- Mount screw cap **1** with membrane **2** and O-ring.



Info

Clean up overflowed or spilt brake fluid immediately with water.



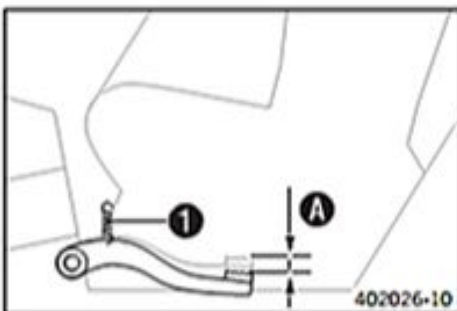
16.11 Checking the free travel of foot brake lever



Warning

Danger of accidents Brake system failure.

- If there is no free travel on the foot brake lever, pressure builds up on the rear brake circuit. The rear brake can fail due to overheating. Adjust the free travel on foot brake lever according to specifications.



- Disconnect spring **1**.
- Move the foot brake lever back and forth between the end stop and the contact to the foot brake cylinder piston and check free travel **A**.

Guideline

Free travel at foot brake lever	3... 5 mm (0.12... 0.2 in)
---------------------------------	----------------------------

- If the free travel does not meet specifications:
 - Adjust the basic position of the foot brake lever. (☞ p. 121)
- Reconnect spring **1**.

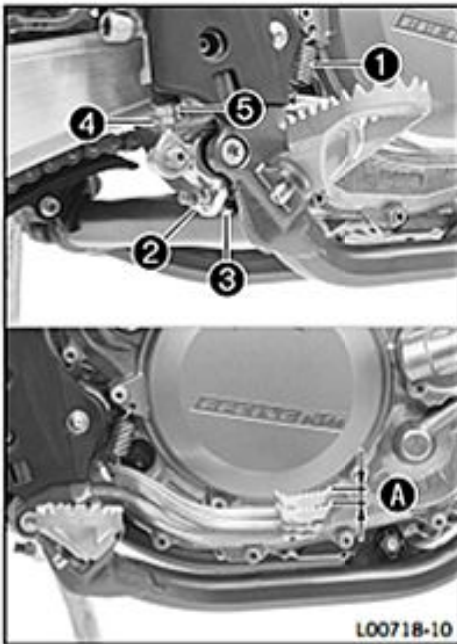
16.12 Adjusting the basic position of the foot brake lever



Warning

Danger of accidents Brake system failure.

- If there is no free travel on the foot brake lever, pressure builds up on the rear brake circuit. The rear brake can fail due to overheating. Adjust the free travel on foot brake lever according to specifications.



- Disconnect spring ①.
- Loosen nut ④ and, with push rod ⑤, turn it back until you have maximum free travel.
- To adjust the basic position of the foot brake lever individually, loosen nut ② and turn screw ③ accordingly.

Info
The range of adjustment is limited.

- Turn push rod ⑤ accordingly until you have free travel A. If necessary, adjust the basic position of the foot brake lever.

Guideline

Free travel at foot brake lever	3... 5 mm (0.12... 0.2 in)
---------------------------------	----------------------------

- Hold screw ③ and tighten nut ②.

Guideline

Nut, foot brake lever stop	M8	20 Nm (14.8 lbf ft)
----------------------------	----	---------------------

- Hold push rod ⑤ and tighten nut ④.

Guideline

Remaining nuts, chassis	M6	10 Nm (7.4 lbf ft)
-------------------------	----	--------------------

- Reconnect spring ①.

16.13 Checking the rear brake fluid level

Warning
Danger of accidents Brake system failure.

- If the brake fluid level drops below the specified marking or the specified value, this is an indication that the brake system is leaking or that the brake linings are completely worn down. Check the brake system and do not continue riding.

Warning
Danger of accidents Reduced braking efficiency due to old brake fluid.

- Change the brake fluid of the front and rear brake according to the service schedule.



- Stand the vehicle upright.
- Check the brake fluid level in level viewer ①.
 - If the brake fluid level has dropped below marking A:
 - Add rear brake fluid. (☛ p. 122)

16.14 Adding rear brake fluid

Warning
Danger of accidents Brake system failure.

- If the brake fluid level drops below the specified marking or the specified value, this is an indication that the brake system is leaking or that the brake linings are completely worn down. Check the brake system and do not continue riding.

Warning
Skin irritation Brake fluid can cause skin irritation on contact.

- Avoid contact with skin and eyes, and keep out of the reach of children.
- Wear suitable protective clothing and goggles.
- If brake fluid comes into contact with the eyes, flush the eyes thoroughly with water and consult a physician immediately.



Warning

Danger of accidents Reduced braking efficiency due to old brake fluid.

- Change the brake fluid of the front and rear brake according to the service schedule.



Warning

Environmental hazard Hazardous substances cause environmental damage.

- Oil, grease, filters, fuel, cleaners, brake fluid, etc., should be disposed of as stipulated in applicable regulations.



Info

Never use DOT 5 brake fluid. It is silicone-based and purple in color. Oil seals and brake lines are not designed for DOT 5 brake fluid.

Avoid contact between brake fluid and painted parts. Brake fluid attacks paint!

Use only clean brake fluid from a sealed container.



Preparatory work

- Check the rear brake linings. (☛ p. 119)

Main work

- Stand the vehicle upright.
- Remove screw cap 1 with membrane 2 and the O-ring.
- Add brake fluid to level A.

Brake fluid DOT 4 / DOT 5.1 (☛ p. 306)

- Mount the screw cap with the membrane and the O-ring.



Info

Clean up overflowed or spilt brake fluid immediately with water.

16.15 Changing the rear brake fluid



Warning

Skin irritation Brake fluid can cause skin irritation on contact.

- Avoid contact with skin and eyes, and keep out of the reach of children.
- Wear suitable protective clothing and goggles.
- If brake fluid comes into contact with the eyes, flush the eyes thoroughly with water and consult a physician immediately.



Warning

Environmental hazard Hazardous substances cause environmental damage.

- Oil, grease, filters, fuel, cleaners, brake fluid, etc., should be disposed of as stipulated in applicable regulations.



Info

Avoid contact between brake fluid and painted parts. Brake fluid attacks paint!

Use only clean brake fluid from a sealed container.



- Cover the painted parts.
- Remove screw cap 1 with membrane and the O-ring.
- Draw the old brake fluid out of the brake fluid reservoir using a syringe and fill with fresh brake fluid.

Bleed syringe (50329050000) (☛ p. 310)

Brake fluid DOT 4 / DOT 5.1 (☛ p. 306)



- Mount bleeder cover 2.

Bleeder cover (00029013006) (☛ p. 309)

- Connect the bleeding device.

Bleeding device (00029013100) (☛ p. 309)



- Open shut-off valve 3.



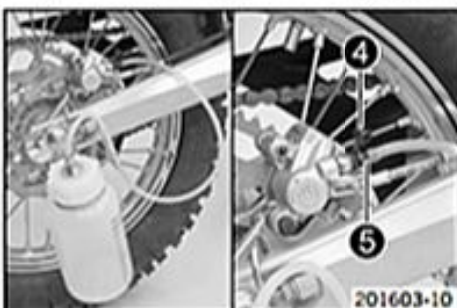
Info

Follow the operating instructions of the bleeding device.

- Ensure that the filling pressure is correctly set at pressure gauge A. If necessary, adjust the filling pressure at pressure regulator B.

Guideline

Filling pressure	2... 2.5 bar (29... 36 psi)
------------------	-----------------------------



- Pull off protection cap 4 of the bleeder screw. Connect the hose of the bleeder bottle.

Bleeding device (00029013100) (☛ p. 309)

- Open bleeder screw 5 by approx. one-half turn.



Info

Bleed until new brake fluid emerges from the bleeder bottle hose without bubbles.

- Tighten the bleeder screw.
- Close shut-off valve 3.
- Open the bleeder screw again until no more brake fluid emerges.



Info

This prevents overfilling of the brake fluid reservoir.

- Tighten the bleeder screw. Remove the hose of the bleeder bottle. Mount the protection cap.
- Disconnect the bleeding device. Remove the bleeder cover.
- Stand the vehicle upright.
- Correct the brake fluid to marking 6.

Brake fluid DOT 4 / DOT 5.1 (☛ p. 306)

- Fit and tighten plug with oil screen and O-ring.



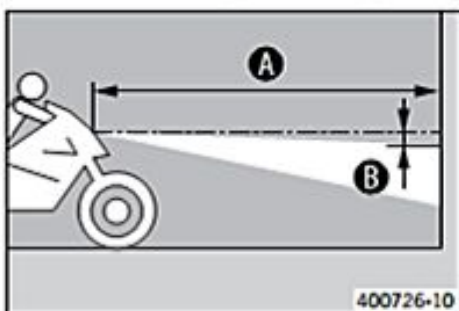
Info

Clean up overflowed or spilt brake fluid immediately with water.



- Check the foot brake lever for a firm pressure point.

17.1 Checking the headlight setting



- Position the vehicle upright on a horizontal surface in front of a light wall and make a mark at the height of the center of the low beam headlight.

- Make another mark a distance **B** under the first mark.

Guideline

Distance B	5 cm (2 in)
-------------------	-------------

- Position the vehicle vertically a distance **A** away from the wall.

Guideline

Distance A	5 m (16 ft)
-------------------	-------------

- The rider now sits down on the motorcycle.

- Switch on the low beam.

- Check the headlight setting.

The boundary between light and dark must be exactly on the lower mark for a motorcycle with driver.

- * If the light-dark border does not meet specifications:
 - Adjust the headlight range. (☛ p. 125)

17.2 Adjusting the headlight range



Preparatory work

- Check the headlight setting. (☛ p. 125)

Main work

- Loosen screw **1**.

- Adjust the headlight range of the headlight by moving it up or down.

Guideline

The boundary between light and dark must be exactly on the lower mark for a motorcycle with driver (instructions on how to apply the mark: Checking the headlight setting).

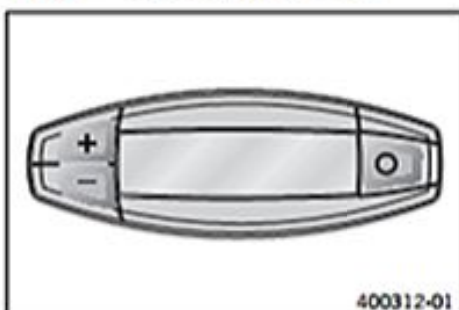
i Info

A change in weight on the vehicle may require a correction of the headlight range.

- Tighten screw **1**.

17.3 EXC EU/AUS/USA, XC-W

17.3.1 Speedometer overview

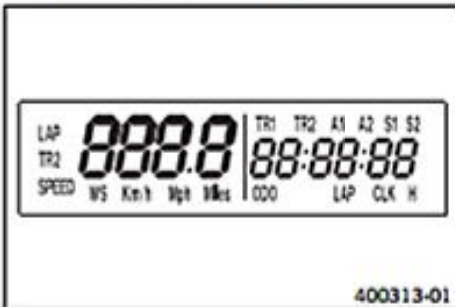


- Press the button **+** to change the display mode or change to one of the Setup menus.
- Press the button **⊞** to control different functions.
- Press the button **⊞** to control different functions.

i Info

When the vehicle is delivered, only the **SPEED/H** and **SPEED/ODO** display modes are activated.

17.3.2 Activation and test



400313-01

Activating the speedometer

The speedometer is activated when one of the buttons is pressed or an impulse comes from the wheel speed sensor.

Display test

To enable you to check that the display is functioning properly, all display segments light up briefly.



400314-01

WS (wheel size)

After the display function check, the wheel size **WS** is displayed briefly.



Info

The number 2205 equals the circumference of the 21" front wheel with standard tires.

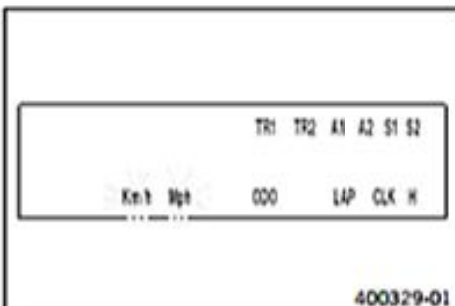
The display then changes to the last selected mode.

17.3.3 Setting kilometers or miles



Info

If you change the unit of measure, the **ODO** value is retained and converted accordingly. The values **TR1**, **TR2**, **A1**, **A2** and **S1** are cleared when the unit of measure is changed.



400329-01

Condition

The motorcycle is stationary.

- Press the button briefly and repeatedly until **H** appears at the bottom right of the display.
- Press the button for 3 - 5 seconds.
 - ✓ The Setup menu is displayed and the active functions are shown.
- Press the button repeatedly until the **Km/h/Mph** display flashes.

Adjusting Km/h

- Press the button .

Adjusting Mph

- Press the button .
- Press the button for 3 - 5 seconds.
 - ✓ The settings are stored and the Setup menu is closed.



Info

If no button is pressed for 20 seconds, or if no impulse comes from the wheel speed sensor, the settings are automatically saved and the Setup menu is closed.

17.3.4 Adjusting the speedometer functions

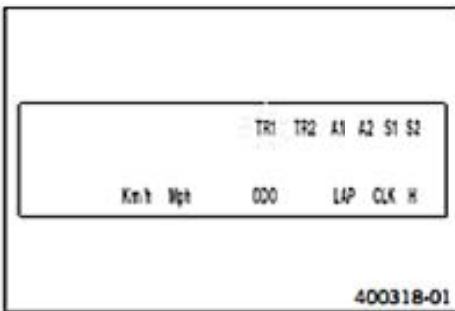





Info

When the vehicle is delivered, only the **SPEED/H** and **SPEED/ODO** display modes are activated.


Condition

The motorcycle is stationary.





- Press the button  briefly and repeatedly until **H** appears at the bottom right of the display.
- Press the button  for 3 - 5 seconds.
 - ✓ The Setup menu is displayed and the activated functions are shown.
- Change to the desired function by pressing the button  briefly.
 - ✓ The selected function flashes.

Activating a function

- Press the button .
 - ✓ The symbol remains on the screen and the display changes to the next function.

Deactivating the function

- Press the button .
 - ✓ The symbol on the screen goes out and the display changes to the next function.

- All desired functions are activated or deactivated accordingly.
- Press the button  for 3 - 5 seconds.
 - ✓ The settings are stored and the Setup menu is closed.








i Info
If no button is pressed for 20 seconds, or if no impulse comes from the wheel speed sensor, the settings are automatically saved and the Setup menu is closed.

17.3.5 Setting the clock




Condition

The motorcycle is stationary.

- Press the button  briefly and repeatedly until **CLK** appears at the bottom right of the display.
- Press the button  for 3 - 5 seconds.
 - ✓ The hour display flashes.
- Set the hour display with the button  and/or button .
- Press the button  briefly.
 - ✓ The next segment of the display flashes and can be set.
- You can set the following segments in the same way as the hours by pressing the button  and the button .

i Info
The seconds can only be set to zero.

- Press the button  for 3 - 5 seconds.
 - ✓ The settings are stored and the Setup menu is closed.

i Info
If no button is pressed for 20 seconds, or if no impulse comes from the wheel speed sensor, the settings are automatically saved and the Setup menu is closed.

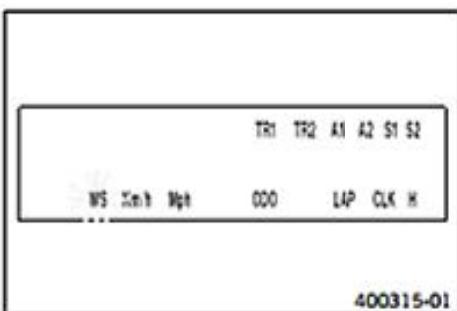
17.3.6 Setting the wheel circumference

Condition

The motorcycle is stationary.

Preparatory work

- Remove the headlight mask with the headlight. (☛ p. 98)
- Activate the additional functions. (☛ p. 130)



Main work

- Press the button briefly and repeatedly until **H** appears at the bottom right of the display.
- Press the button for 3 - 5 seconds.
 - ✓ The setup menu is displayed and the active functions shown.
- Press the button until the **WS** indicator blinks.



- Press the button .
 - ✓ The wheel circumference is displayed in millimeters.

Enlarging the wheel circumference

- Press the button .

Reducing the wheel circumference

- Press the button .
- Press the button briefly.
- Press the button for 3 - 5 seconds.
 - ✓ The settings are stored and the setup menu is closed.

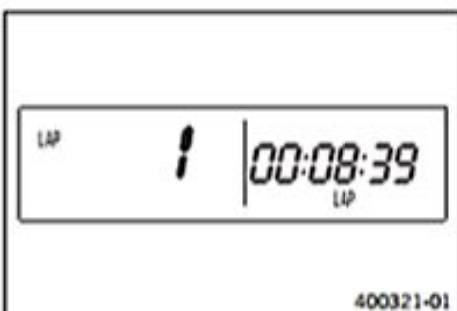
i Info

If no button is pressed for 20 seconds, or if no impulse comes from the wheel speed sensor, the settings are automatically saved and the Setup menu is closed.

17.3.7 Querying lap time

i Info

This function can be called up only if lap times are measured.



Condition

The motorcycle is stationary.

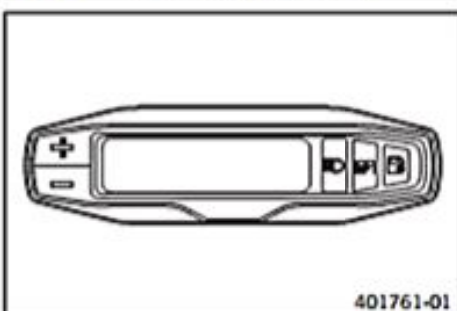
- Press the button briefly and repeatedly until **LAP** appears at the bottom right of the display.
- Press the button briefly.
 - ✓ **LAP 1** appears on the left side of the display.
- Laps 1-10 can be displayed by pressing the button .
- The button has no function.
- Press the button briefly.
 - ✓ Next display mode

i Info

If an impulse is received from the wheel speed sensor, the left side of the display changes back to the **SPEED** mode.

17.4 EXC SIX DAYS

17.4.1 Speedometer overview

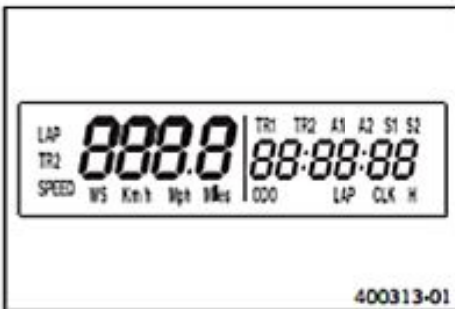


- Press the button to control different functions.
- Press the button to control different functions.

i Info

When the vehicle is delivered, only the **SPEED/H** and **SPEED/000** display modes are activated.

17.4.2 Activation and test



400313-01

Activating the speedometer

The speedometer is activated when one of the buttons is pressed or an impulse comes from the wheel speed sensor.

Display test

To enable you to check that the display is functioning properly, all display segments light up briefly.



400314-01

WS (wheel size)

After the display function check, the wheel size **WS** is displayed briefly.



Info

The number 2205 equals the circumference of the 21" front wheel with standard tires.

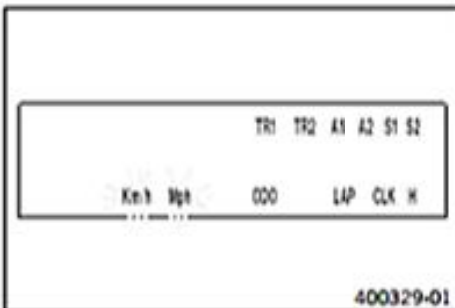
The display then changes to the last selected mode.

17.4.3 Setting kilometers or miles



Info

If you change the unit, the value **000** is retained and converted accordingly. The values **TR1**, **TR2**, **A1**, **A2** and **S1** are cleared when the unit of measure is changed.



400329-01

Condition

The motorcycle is stationary.

- Repeatedly press the button briefly until **H** appears at the bottom right of the display.
- Press the button for 2-3 seconds.
 - ✓ The Setup menu is displayed and the active functions are shown.
- Repeatedly press the button briefly until **Km/h/Mph** flashes.

Setting the Km/h

- Press the button .

Setting the Mph

- Press the button .
- Wait 3-5 seconds
- ✓ The settings are stored.



Info

If no button is pressed for 10 -12 seconds, or if an impulse comes from the wheel speed sensor, the settings are automatically saved and the setup menu is closed.

17.4.4 Setting the speedometer functions

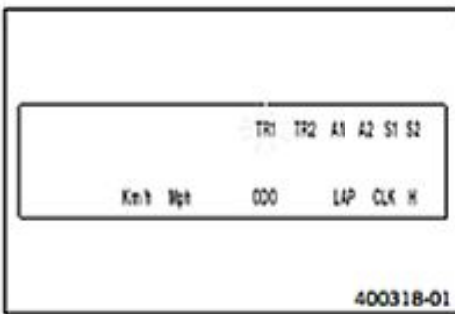


Info

When the vehicle is delivered, only the **SPEED/H** and **SPEED/000** display modes are activated.

Condition

The motorcycle is stationary.



- Repeatedly press the button briefly until **H** appears at the bottom right of the display.
- Press the button for 2-3 seconds.
 - ✓ The Setup menu is displayed and the active functions are shown.



Info

If no button is pressed for 10-12 seconds, the settings are automatically saved.
 If no button is pressed for 20 seconds, or if an impulse comes from the wheel speed sensor, the settings are automatically saved and the setup menu is closed.

- Repeatedly press the button briefly until the desired function flashes.
 - ✓ The selected function flashes.

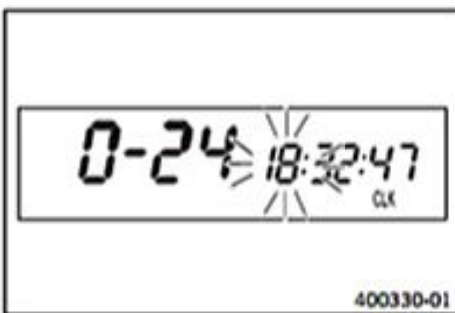
Activating the function

- Press the button .
 - ✓ The symbol continues to appear in the display and the next function appears.

Deactivating a function

- Press the button .
 - ✓ The symbol disappears in the display and the next function appears.

17.4.5 Setting the clock



Condition

The motorcycle is stationary.

- Repeatedly press the button briefly until **CLK** appears at the bottom right of the display.
- Press the button for 2-3 seconds.
 - ✓ The hour display flashes.
- Set the hour display with the button and/or button .
- Wait 3-5 seconds
 - ✓ The next segment of the display flashes and can be set.
- You can set the following segments in the same way as the hours by pressing the button and the button .



Info

The seconds can only be set to zero.
 If no button is pressed for 15 -20 seconds, or if an impulse comes from the wheel speed sensor, the settings are automatically saved and the setup menu is closed.

17.4.6 Activating the additional functions

Danger
Voiding of the government approval for road use and the insurance coverage The vehicle is only authorized for operation on public roads in the homologated version.

- If the vehicle is modified in any way, it may only be used on designated tracks away from public roads. Advise the vehicle owner and rider of this.
- If you undertake any modifications, please insist on receiving a signed workshop order from your customer in which you inform the customer in writing that these modifications are performed at the customer's own risk and that the vehicle will no longer be approved for use on public roads once modified.

Preparatory work

- Remove the headlight mask with the headlight. (☛ p. 98)



301287-10



301288-10

Main work

- Expose connector CZ ①.

- Sever the black/brown cable ②.
- Insulate both cable ends.

Finishing work

- Refit the headlight mask with the headlight. (↖ p. 99)
- Check the headlight setting. (↖ p. 125)

17.4.7 Setting the wheel circumference




Condition

The motorcycle is stationary.

Preparatory work

- Remove the headlight mask with the headlight. (↖ p. 98)
- Activate the additional functions. (↖ p. 130)

Main work

- Repeatedly press the button  briefly until H appears at the bottom right of the display.
- Press the button  for 2-3 seconds.
- When WS flashes, press the  button briefly.



Info

The wheel circumference is displayed in millimeters.

Enlarging the wheel circumference

- Press the button .

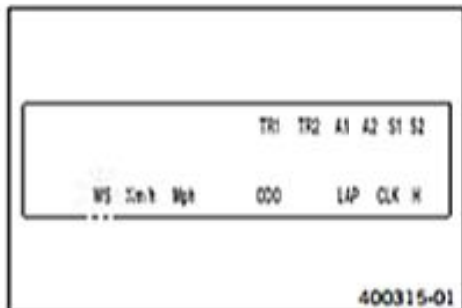
Reducing the wheel circumference

- Press the button .



Info

If no button is pressed for 20 seconds, or if no impulse comes from the wheel speed sensor, the settings are automatically saved and the Setup menu is closed.



400315-01

17.4.8 Viewing the lap time








Info

This function can only be opened if lap times have actually been timed.

Condition

The motorcycle is stationary.



- Repeatedly press the button  briefly until **LAP** appears at the bottom right of the display.
- Briefly press the button .
 - ✓ **LAP 1** appears on the left side of the display.
- The laps 1-10 can be viewed with the button .
- Press and hold the button  for 3-5 seconds.
 - ✓ The lap times are deleted.
- Briefly press the button .
 - ✓ Next display mode

**Info**

When an impulse is received from the wheel speed sensor, the left side of the display changes back to the **SPEED** mode.

18.1 Removing the engine

Preparatory work

- Raise the motorcycle with the lift stand. (☞ p. 11)
- Drain the coolant. (☞ p. 204)
- Remove the seat. (☞ p. 89)
- Remove the fuel tank. (☞ p. 90)
- Remove the main silencer. (☞ p. 84)

Main work

- Disconnect the negative cable ❶ of the battery.



- Loosen screw ❷.
- Remove the cable binder(s).
- Remove the frame protector.



- Loosen screw ❸.
- Remove the cable binder(s).
- Remove the frame protector.



- Loosen hose clip ❹.



- Push back hose clamp ❺.
- Pull off the vent hose.



- Remove screw 6.
- Loosen screw 7.
- Repeat these steps on the opposite side.
- Pivot up the subframe and secure it.



- Remove screw 8.
- Pivot the shock absorber toward the rear and twist it slightly.



- Disconnect the plug-in connector of the lambda sensor.
- Expose the cable.

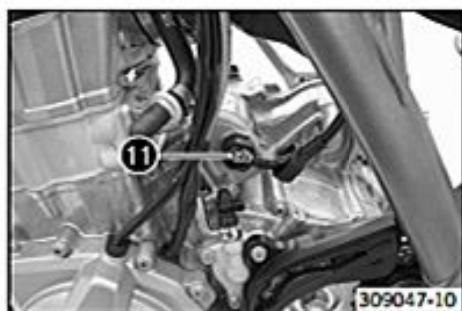


- Remove springs 9.

Spring hooks (50305017000) (☛ p. 310)



- Remove screw 10.
- Take off the manifold.



- Pull back the protection cap.
- Remove nut **11**.



- Remove screw **12**.



- Remove screw **13**.
- Take off the engine sprocket cover.



- Remove screws **14**.
- Remove the cable binder(s).
- Take off the slave cylinder of the clutch and hang it to one side.

**Info**

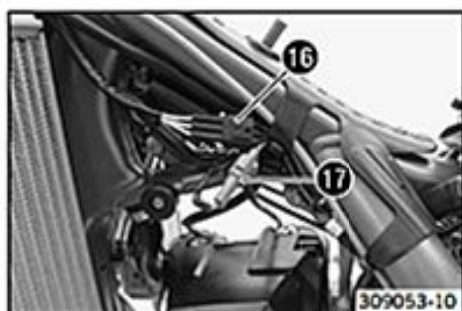
Do not kink the clutch line.
Do not activate the clutch lever while the slave cylinder of the clutch is removed.



- Remove the connecting link of the chain.
- Take off the chain.



- Remove screw **15**.
- Take off the shift lever.



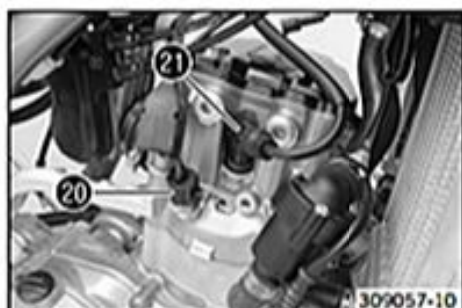
- Disconnect plug-in connector 16.
- Disconnect plug-in connector 17.



- Loosen hose clips 18.
- Pull off the radiator hoses.



- Loosen hose clip 19.
- Pull off the radiator hose.



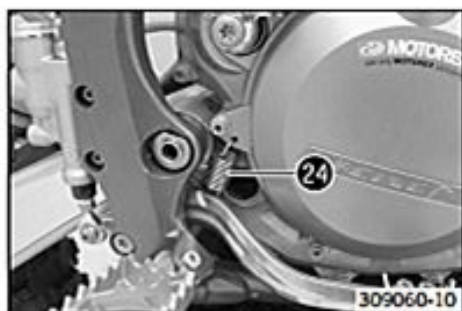
- Pull back the protection cap.
- Unplug connector 20.
- Pull off spark plug connector 21.



- Loosen hose clip 22.
- Pull the throttle valve body out of the intake flange toward the rear and hang it to one side.



- Remove fittings 23.
- Take off the engine braces.



- Remove spring 24.



- Remove nut 25.
- Remove the swingarm pivot.
- Pull the swingarm slightly toward the rear.



- Remove screws 26.



- Lift out the engine sideways.

**Info**

An assistant will be useful for this step.
Ensure that the motorcycle is sufficiently secured against falling over.
Protect the frame and attachments against damage.

18.2 Installing the engine**Main work**

- Position the engine in the frame.

**Info**

An assistant will be useful for this step.
Ensure that the motorcycle is sufficiently secured against falling over.
Protect the frame and attachments against damage.



- Mount screws 1 but do not tighten yet.

Guideline

Engine attachment bolt	M10	60 Nm (44.3 lbf ft)
------------------------	-----	------------------------



- Position the swingarm.
- Insert the swingarm pivot.
- Mount and tighten nut ②.

Guideline

Nut, swingarm pivot	M16x1.5	100 Nm (73.8 lbf ft)
---------------------	---------	-------------------------

- Tighten screws ①.

Guideline

Engine attachment bolt	M10	60 Nm (44.3 lbf ft)
------------------------	-----	------------------------

- Mount spring ③.



- Position the engine braces.
- Mount and tighten screw cap ④.

Guideline

Screw, engine brace	M8	33 Nm (24.3 lbf ft)	Loctite® 2701™
---------------------	----	------------------------	----------------



- Position the throttle valve body.
- Tighten hose clip ⑤.



- Plug in connector ⑥.
- Position the protection cap.
- Mount spark plug connector ⑦.



- Mount the radiator hose.
- Position and tighten hose clips ⑧.



- Mount the radiator hoses.
- Position and tighten hose clips **9**.



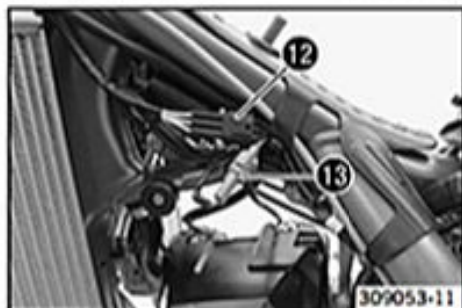
- Position the shift lever.
- Mount and tighten screw **10**.

Guideline

Screw, shift lever	M6	14 Nm (10.3 lbf ft)	Loctite® 243™
--------------------	----	------------------------	---------------



- Mount the chain.
- Connect the chain with connecting link **11**.



- Connect plug-in connector **12**.
- Connect plug-in connector **13**.
- Route the cable loosely and secure with a cable binder.



- Position the clutch slave cylinder with the gasket.
- Mount and tighten screws **14**.

Guideline

Screw, clutch slave cylinder	M6	10 Nm (7.4 lbf ft)
------------------------------	----	--------------------



- Position the engine sprocket cover.
- Mount and tighten screw **15**.

Guideline

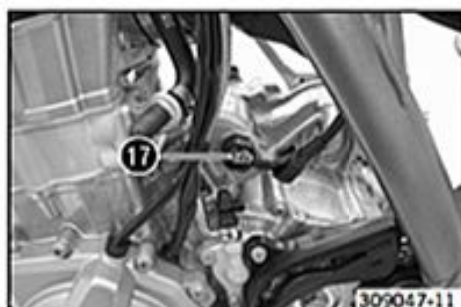
Screw, clutch slave cylinder	M6	10 Nm (7.4 lbf ft)
------------------------------	----	--------------------



- Mount and tighten screw 16.

Guideline

Remaining screws, chassis	M8	25 Nm (18.4 lbf ft)
---------------------------	----	------------------------



- Position the positive cable on the starter motor.
- Mount and tighten nut 17.

Guideline

Remaining nuts, chassis	M6	10 Nm (7.4 lbf ft)
-------------------------	----	--------------------

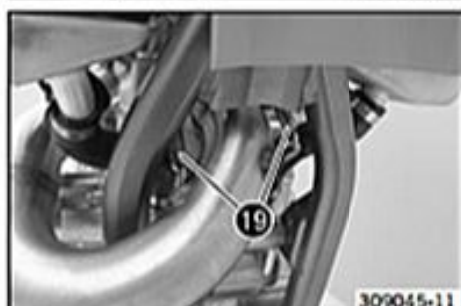
- Mount protection cap.



- Feed in the manifold.
- Mount screw 18 but do not tighten yet.

Guideline

Remaining screws, chassis	M8	25 Nm (18.4 lbf ft)
---------------------------	----	------------------------



- Mount springs 19.

Spring hooks (50305017000) (☞ p. 310)

- Tighten screw 18.

Guideline

Remaining screws, chassis	M8	25 Nm (18.4 lbf ft)
---------------------------	----	------------------------



- Connect the plug-in connector of the lambda sensor.
- Route the cable loosely and secure with a cable binder.



- Position the shock absorber.
- Mount and tighten screw 20.

Guideline

Screw, top shock absorber	M12	80 Nm (59 lbf ft)	Loctite® 2701™
---------------------------	-----	----------------------	----------------



- Position the subframe.

**Info**

Watch out for the intake flange.

- Mount and tighten screw 21.

Guideline

Screw, subframe	M8	35 Nm (25.8 lbf ft)	Loctite® 2701™
-----------------	----	------------------------	----------------

- Remove screw 22.
- Mount and tighten screw 22.

Guideline

Screw, subframe	M8	35 Nm (25.8 lbf ft)	Loctite® 2701™
-----------------	----	------------------------	----------------

- Repeat these steps on the opposite side.



- Position the vent hose and mount hose clamp 23.



- Position and tighten hose clip 24.



- Mount the frame protector.

- Tighten screw 25.

Guideline

Screw, frame protector	M5	3 Nm (2.2 lbf ft)
------------------------	----	-------------------

- Mount cable binder.



- Mount the frame protector.

- Tighten screw 26.

Guideline

Screw, frame protector	M5	3 Nm (2.2 lbf ft)
------------------------	----	-------------------

- Mount cable binder.



- Connect negative cable 27 of the battery.



- Remove filler plug 28 and add engine oil.

Engine oil	1.50 l (1.59 qt.)	Engine oil (SAE 10W/50) (☞ p. 306)
------------	-------------------	------------------------------------

- Mount and tighten filler plug 28.

Finishing work

- Install the main silencer. (☞ p. 84)
- Install the fuel tank. (☞ p. 91)
- Mount the seat. (☞ p. 90)
- Remove the motorcycle from the lift stand. (☞ p. 11)
- Refill the coolant. (☞ p. 205)
- Take a short test ride.
- Execute the initialization run. (☞ p. 215)
- Take a short test ride.
- Read out the fault memory using the KTM diagnostics tool.
- Check the engine for leakage.
- Check the engine oil level. (☞ p. 206)
- Check the coolant level. (☞ p. 204)

18.3 Engine disassembly

18.3.1 Preparations



- Mount the special tool on the engine assembly stand.

Engine bracket (78029002000) (☞ p. 316)

Engine assembly stand (61229001000) (☞ p. 313)

- Mount the engine on the special tool.

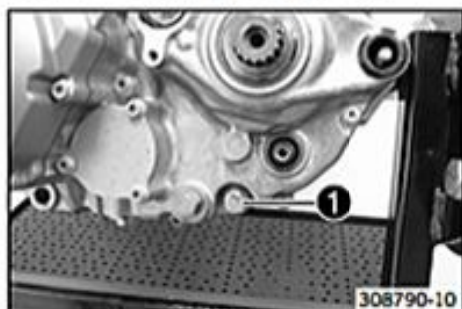


Info

Have an assistant help you or use a motorized hoist.

- Remove the kick starter.

18.3.2 Draining the engine oil



- Remove oil drain plug 1 with the magnet and seal ring.



- Remove engine oil screen plug ②.
- Completely drain the engine oil.



- Remove engine oil screen ③.



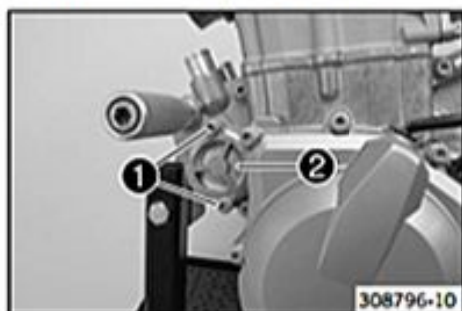
- Remove engine oil screen plug ④.

18.3.3 Removing the clutch push rod

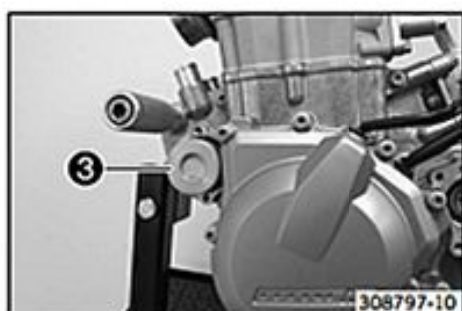


- Remove clutch push rod ①.

18.3.4 Removing the oil filter



- Remove screws ①. Remove oil filter cover ② with the O-ring.



- Pull oil filter ③ out of the oil filter housing.

Circlip pliers reverse (51012011000) (☛ p. 310)

18.3.5 Removing the starter motor



- Remove screws ① and take off the starter motor.

18.3.6 Removing the kickstarter



- Remove screw ①. Take off the kickstarter.

18.3.7 Removing the spark plug



- Remove the spark plug using the special tool.

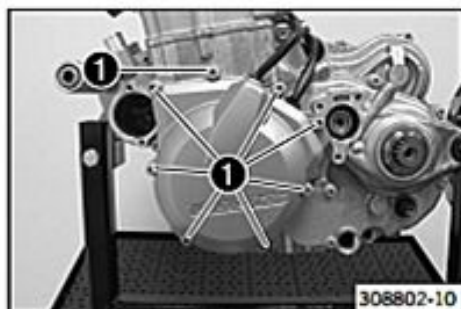
Spark plug wrench (75029172000) (☛ p. 315)

18.3.8 Removing the valve cover

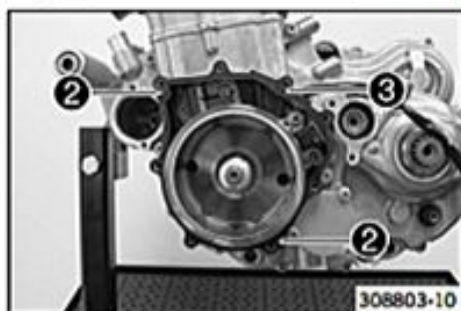


- Remove screws ①. Remove the valve cover with the valve cover seal.

18.3.9 Removing the alternator cover

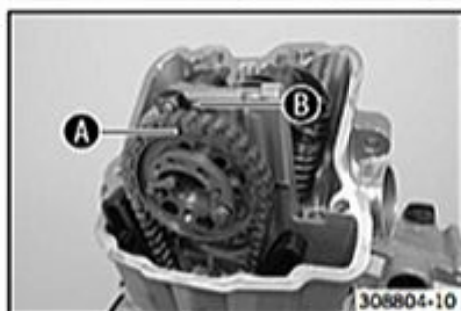


- Remove screws ①. Remove the alternator cover.

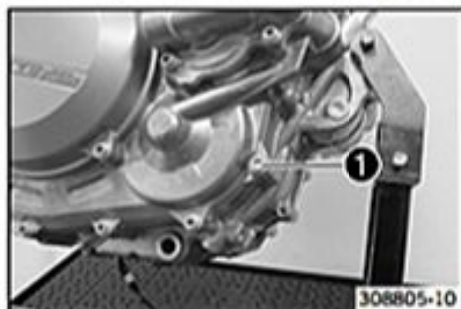


- Remove centering pins ②. Take off the alternator cover gasket ③.

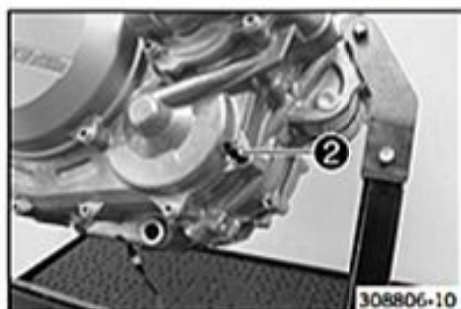
18.3.10 Positioning the engine at ignition top dead center



- Align camshaft marking A with marking B on the cylinder head.



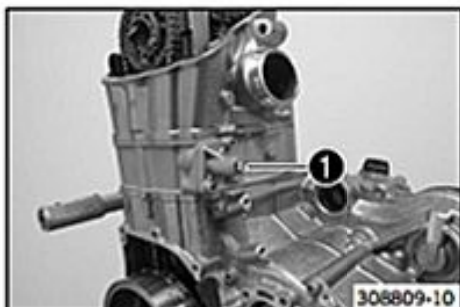
- Remove screw ①.



- Screw in special tool ②.

Locking screw (113080802) (☛ p. 309)

18.3.11 Removing the timing chain tensioner

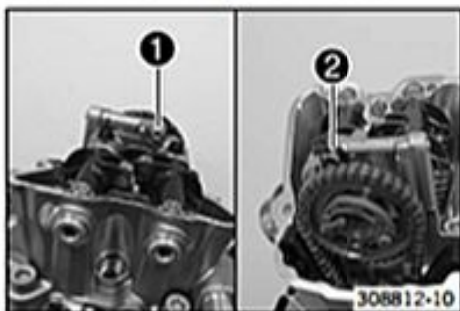


- Remove screw ①.

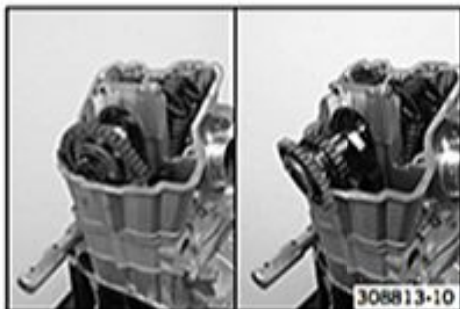


- Remove screw ②.
- Take off the chain adjuster with the gasket.

18.3.12 Removing the camshaft

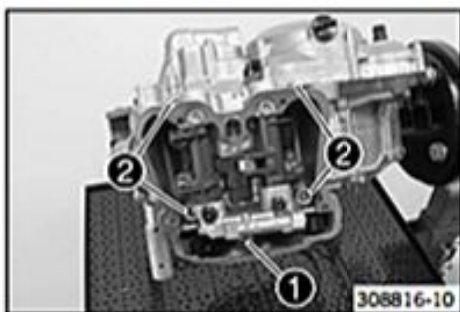


- Remove screw ①. Remove the camshaft support plate ②.



- Pull the camshaft out of the bearing seats. Take the timing chain off the camshaft gear. Remove the camshaft.

18.3.13 Removing the cylinder head



- Remove screw ①.
- Unscrew screws ② in a crisscross pattern and remove.
- Remove the cylinder head.
- Take off the dowels. Remove the cylinder head gasket.

18.3.14 Removing the piston



- Push the cylinder upward.

**Info**

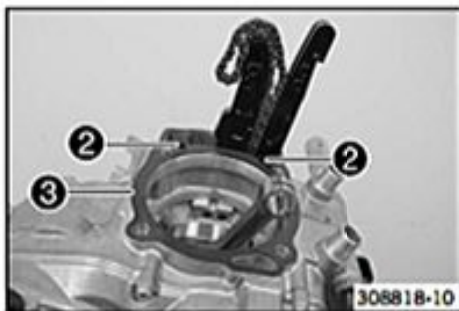
Only push the cylinder as far up as necessary to take the piston pin out.

- Remove the piston pin retainer ①.
- Remove the piston pin.
- Take off the cylinder and piston.
- Push the piston upward out of the cylinder.

**Info**

If no further work is to be performed on the cylinder and piston, the piston can remain in the cylinder.

- Take off dowels ② and cylinder base gasket ③.



18.3.15 Removing the rotor



- Remove nut ① with the spring washer.

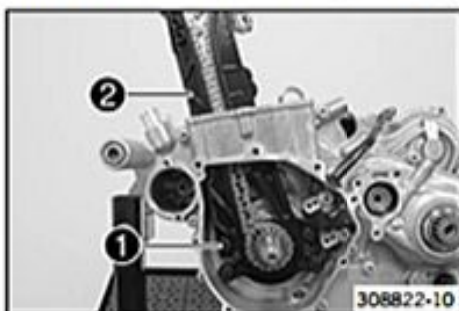


- Attach special tool ② to the rotor. Hold it tight using the special tool and pull off the rotor by turning the screw in.

Extractor (58012009000) (☛ p. 311)

- Remove the woodruff key.

18.3.16 Removing the timing chain guide rail



- Remove screw ①. Take off timing chain guide rail ② toward the top.

18.3.17 Removing the timing chain tensioning rail



- Remove screw ①. Remove the timing chain tensioning rail from above.

18.3.18 Removing the timing chain securing guide



- Remove screws ①. Take off the timing chain securing guide.

18.3.19 Removing the timing chain



- Take off the timing chain.

**Info**

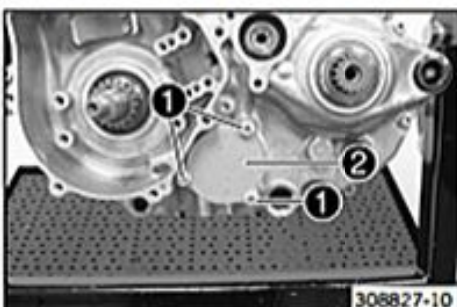
Identify the direction of travel.

18.3.20 Removing the ignition pulse generator

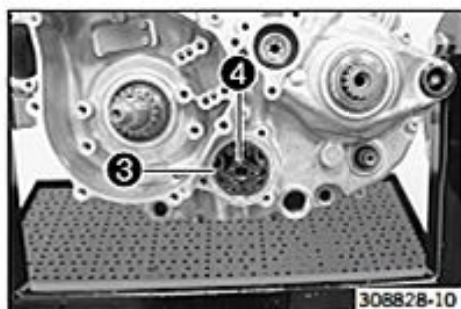


- Remove screws ①.
- Pull the cable support sleeve from the engine case. Take off the crankshaft position sensor.

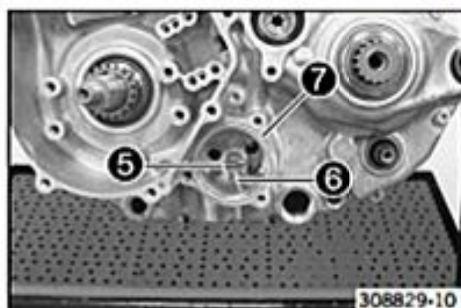
18.3.21 Removing the suction pump



- Remove screws ①.
- Take off oil pump cover ② of the suction pump.

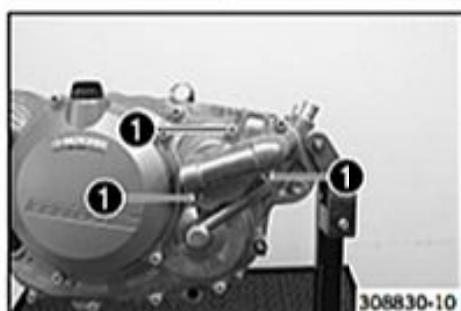


- Remove external rotor ③ and internal rotor ④.



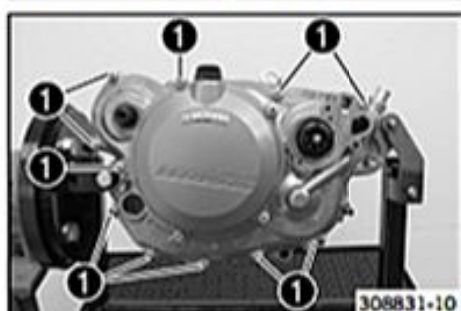
- Take off pin ⑤.
- Remove pin ⑥ upward.
- Remove O-ring ⑦.

18.3.22 Removing the water pump cover



- Remove screws ①. Take off the water pump cover.
- Take off the water pump cover seal.

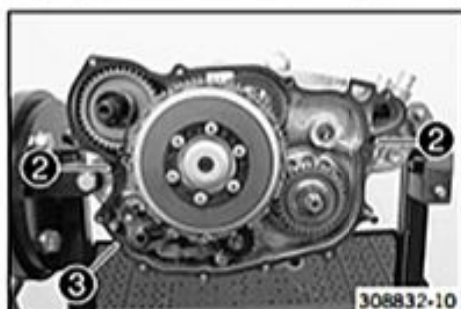
18.3.23 Removing the clutch cover



- Remove screws ①. Take off the clutch cover.

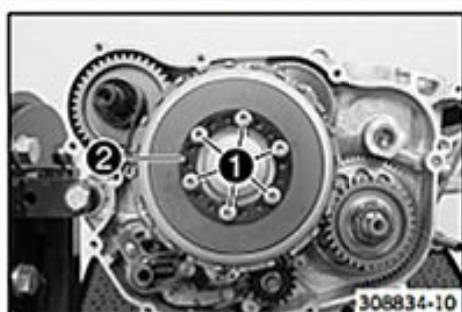
i Info

If work is to be performed on the water pump, unscrew the nut of the water pump impeller.



- Take out dowels ②. Take off clutch cover gasket ③.

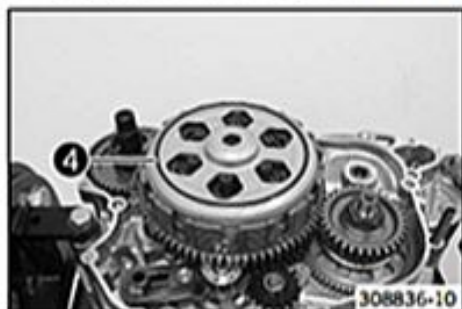
18.3.24 Removing the clutch discs



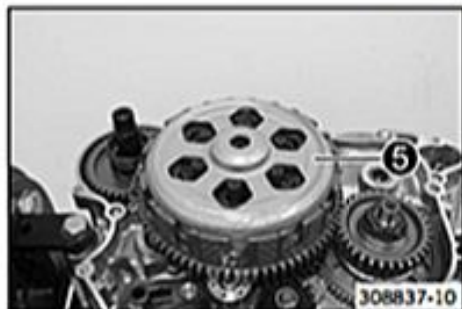
- Remove screws ①.
- Take off spring retainer ②.



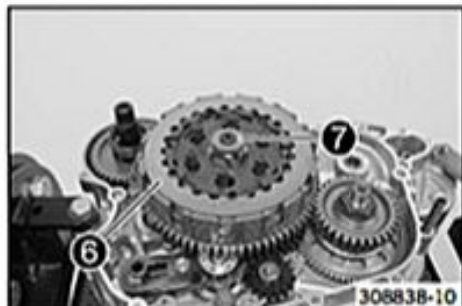
- Take off spring washer ③.



- Take off pretension ring ④.



- Take off pressure cap ⑤.



- Completely remove clutch disc pack ⑥.
- Remove clutch pressure piece ⑦.

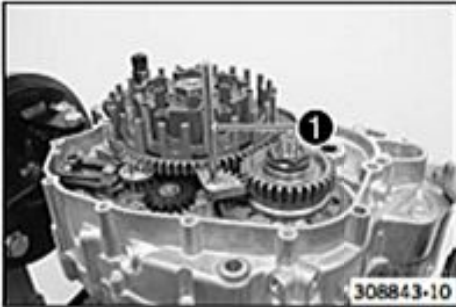
18.3.25 Removing the primary gear nut



308842-10

- Remove the special tool.

Locking screw (113080802) (☞ p. 309)



308843-10

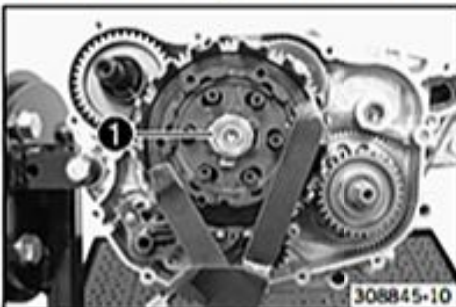
- Lock the outer clutch hub and primary gear using special tool ❶.

Gear quadrant (80029004000) (☞ p. 317)

i Info
LH thread

- Remove nut.

18.3.26 Removing the outer clutch hub

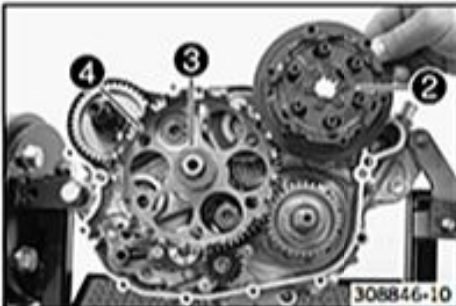


308845-10

- Bend up the lock washer.
- Hold the inner clutch hub with the special tool. Loosen nut ❶.

Clutch holder (51129003000) (☞ p. 311)

- Remove the nut with the lock washer. Dispose of the lock washer.

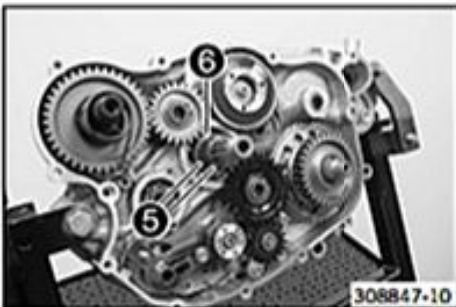


308846-10

- Take off inner clutch hub ❷ and washer ❸.

i Info
The washer usually sticks to the inner clutch hub.

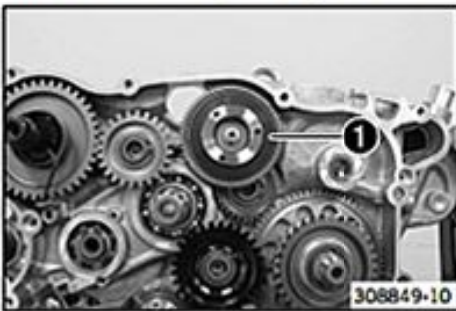
- Take off ❹.



308847-10

- Take off both needle bearings ❺ and collar bushing ❻.

18.3.27 Removing the torque limiter



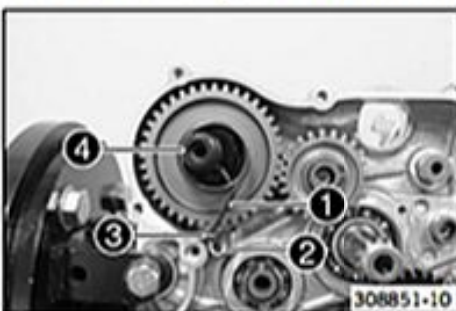
- Remove the screw with the washer. Remove torque limiter ①.
- Remove the washer.

18.3.28 Removing the starter idler gear



- Remove the lock ring. Take off the washer. Take off starter idler gear ①.

18.3.29 Removing the kickstarter idler gear



- Apply counterpressure to kickstarter spring ①. Remove screw ②.
- Remove spring hanger ③. Release tension on the kickstarter spring.
- Turn kickstarter shaft ④ counterclockwise and pull it out.



Info

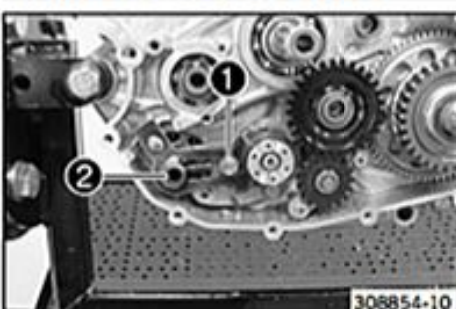
The stop disk of the kickstarter shaft usually sticks to the bearing.

18.3.30 Removing the kickstarter idler gear



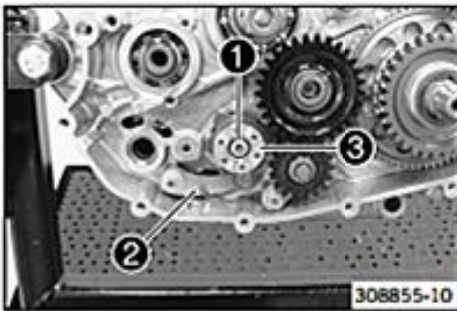
- Remove the lock ring. Take off the washer. Take off kickstarter idler gear ①.

18.3.31 Removing the shift shaft



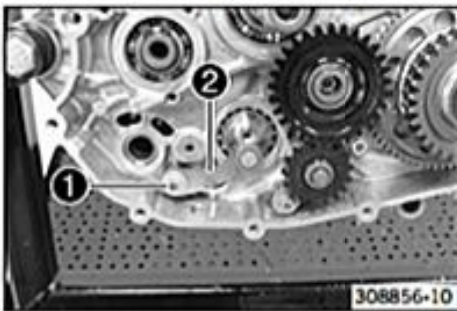
- Push sliding plate ① away from the shift drum locating unit. Remove shift shaft ② with the washer.

18.3.32 Removing the shift drum locating unit



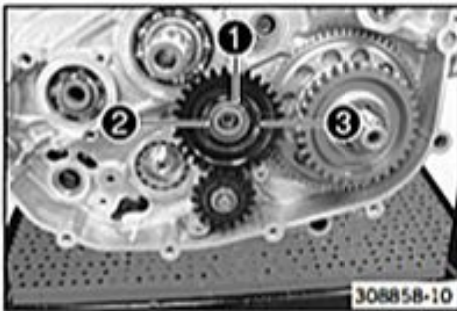
- Remove screw 1.
- Push away locking lever 2 from shift drum locating unit 3 and remove the shift drum locating unit.
- Relieve tension from the locking lever.

18.3.33 Removing the locking lever

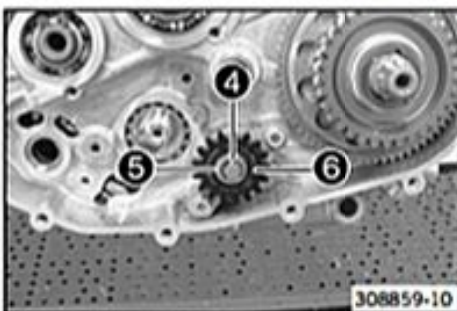


- Unscrew 1 and remove together with locking lever 2, washer, sleeve and spring.

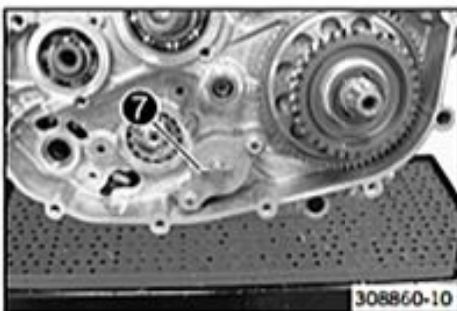
18.3.34 Removing the oil pump gear wheels



- Remove lock ring 1.
- Take off washer 2.
- Remove oil pump idler gear 3.

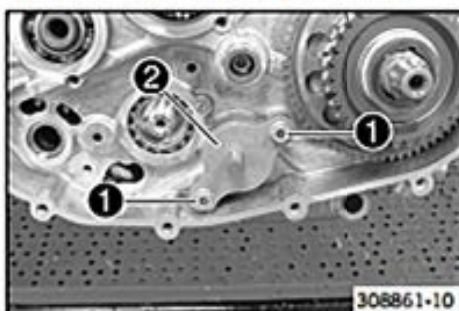


- Remove lock washer 4.
- Take off washer 5.
- Take off oil pump gear wheel 6.

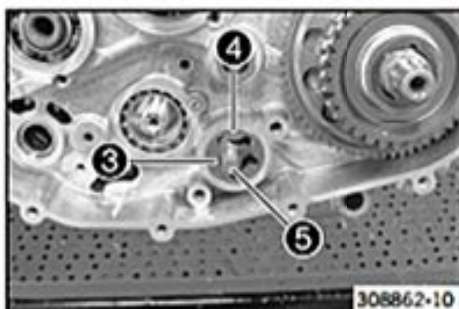


- Remove pin 7.

18.3.35 Removing the force pump

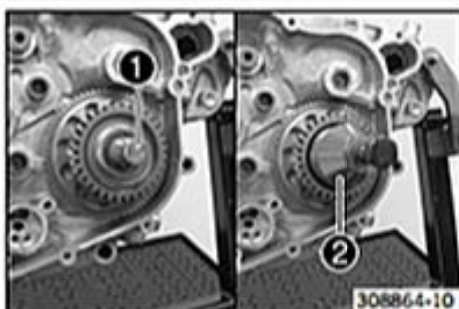


- Remove screws 1.
- Take off oil pump cover 2.



- Remove internal rotor 3 and external rotor 4.
- Remove the pin.
- Push oil pump shaft 5 inward and take it out of the engine from the ignition side.

18.3.36 Removing the primary gear



- Insert special tool 1 in the crankshaft.

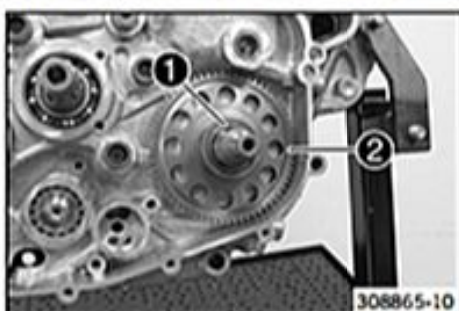
Protection cover (75029090000) (☛ p. 314)

- Install special tool 2.

Extractor (75029021000) (☛ p. 313)

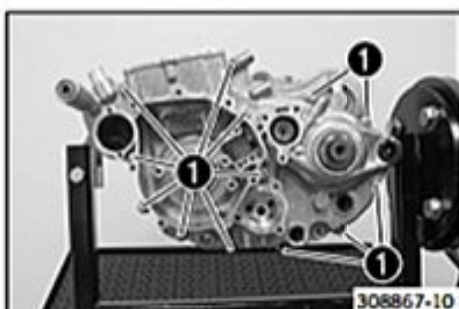
- Hold it using the special tool and pull off the primary gear by turning the screw in.
- Remove the special tools.

18.3.37 Removing the freewheel gear

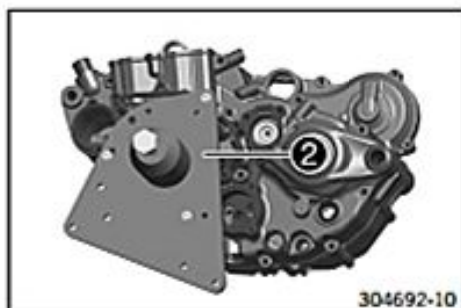


- Remove woodruff key 1.
- Take off freewheel gear 2.

18.3.38 Removing the left engine case section



- Remove screws 1.



304692-10

- Mount special tool ② with the appropriate screws.

Case separating tool (90129048000) (☞ p. 317)

**Info**

Use the drill hole marked with 781.

- Tilt the left section of the engine case upward and remove the screw connections of the engine fixing arm.
- Take off the section of the engine case.

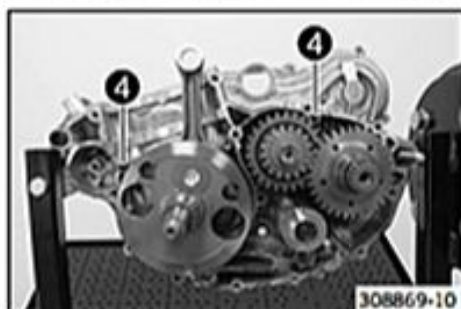
**Info**

Do not subject the section of the engine case to any stress.

- Remove the special tool.
- Take off the left section of the engine case.
- Remove spacer ③.



308868-10



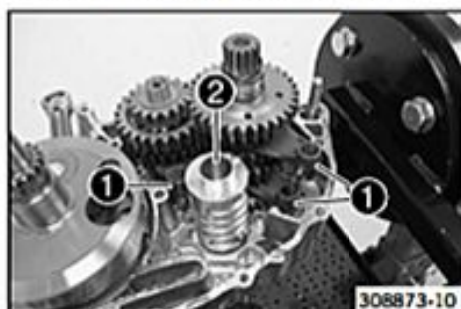
308869-10

- Remove dowels ④.

18.3.39 Removing the shift rails

308872-10

- Remove shift rails ① together with upper springs ② and the lower springs.

18.3.40 Removing the shift drum

308873-10

- Tilt shift forks ① to the side.

**Info**

Do not misplace the shift rollers.

- Remove shift drum ②.

18.3.41 Removing the shift forks



- Take shift forks **1** out of the shift grooves.

**Info**

Do not misplace shift rollers **2**.

18.3.42 Removing the transmission shafts



- Remove O-ring **1**.



- Secure the engine in an upright position.
- Remove lock ring **2**.

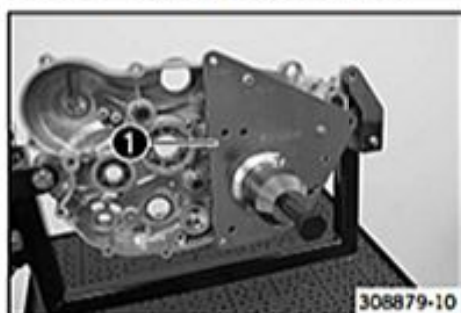


- Pull out both transmission shafts together from the bearing seats.

**Info**

Do not lose the washers.

18.3.43 Removing the crankshaft



- Attach the special tool to the crankshaft.

Protection cover (75029090000) (☞ p. 314)

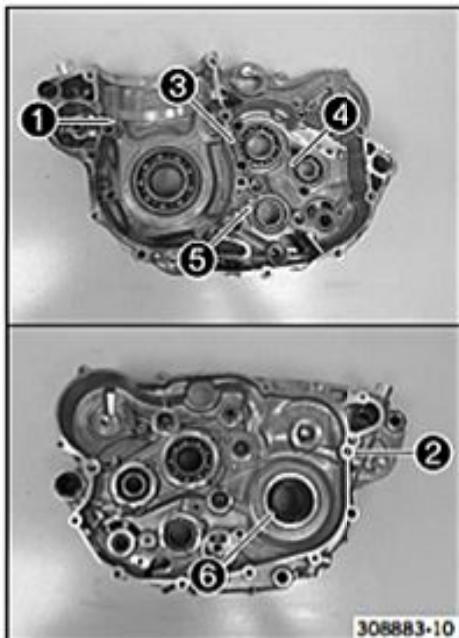
- Mount special tool **1** onto the engine case with suitable screws.

Removal tool (78029049100) (☞ p. 316)

- Press the crankshaft out of the bearing seat.
- Take out crankshaft .
- Remove the special tools.
- Take off the right section of the engine case.

18.4 Work on individual parts

18.4.1 Work on the right section of the engine case



Preparatory work

- Remove the oil pressure regulator valve. (☛ p. 159)

Main work

- Remove all remaining dowels.
- Remove oil jets ① and ②.
- Remove the bearing retainer of main shaft bearing ③, of countershaft bearing ④ and of shift drum bearing ⑤.
- Remove any sealing mass remnants and clean the engine case section thoroughly.
- Warm the engine case section in an oven.

Guideline

150 °C (302 °F)

- Knock the engine case section against a level wooden plate. This will cause the bearings to drop out of the bearing seats.



Info

Any bearings that remain in the engine case section must be removed using a suitable tool.

- Press out shaft seal ring ⑥ of the crankshaft from the inside to the outside.



Info

Do not press the shaft seal ring from the outside toward the inside, as there is a small collar on the inside.

- Press in the shaft seal ring from the outside toward the inside, with the open side facing outward.
- Warm the engine case section again.

Guideline

150 °C (302 °F)

- Insert the new cold bearings into the bearing seats of the hot engine case section and, if necessary, use a suitable press drift to push the bearing from the inside to the outside, all the way to the stop or so it is flush.



Info

When pressing the bearing in, ensure that the engine case section is level to prevent damage.

Only press the bearings in via the outer bearing race; otherwise, the bearings will be damaged when they are pressed in.

- After the engine case section has cooled, check that the bearings are firmly seated.



Info

If the bearings are not firmly seated after cooling, it is likely that they will rotate in the engine case when warm. In this case, the engine case must be renewed.

- Position all bearing locks. Mount and tighten the screws.

Guideline

Screw, bearing retainer	M5	6 Nm (4.4 lbf ft)	Loctite® 2701™
-------------------------	----	----------------------	----------------

- Mount and tighten oil jet ①.

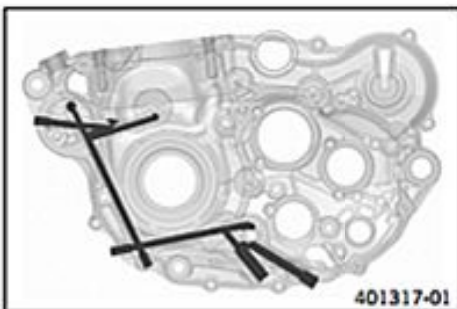
Guideline

Oil jet, piston cooling	M5	2 Nm (1.5 lbf ft)	Loctite® 243™
-------------------------	----	----------------------	---------------

- Mount and tighten oil jet ②.

Guideline

Oil nozzle for conrod bearing lubrication	M6x0.75	4 Nm (3 lbf ft)	
---	---------	-----------------	--

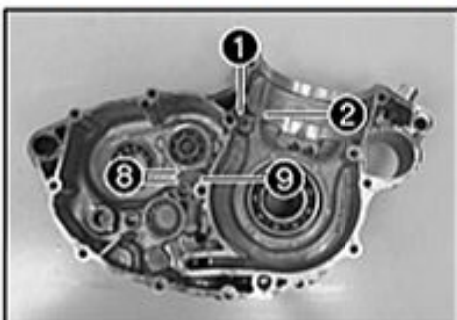


- Blow compressed air through all oil channels and check that they are clear.

Finishing work

- Install the oil pressure regulator valve. (☛ p. 160)

18.4.2 Work on the left section of the engine case

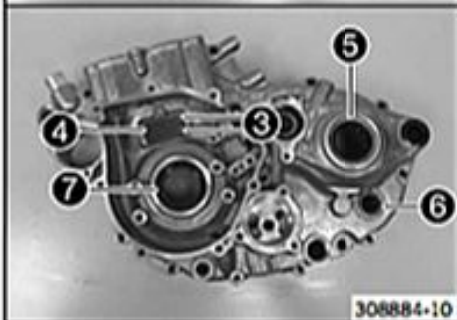


- Remove all remaining dowels.
- Remove screw 1.
- Remove oil spray tube 2.
- Remove screws 3.
- Remove membrane support plate 4 and the membrane.
- Remove the shaft seal ring of countershaft 5 and shift shaft 6.



Info

The shaft seal ring of crankshaft 7 can only be removed after the crankshaft bearing has been taken out because of a small external collar.



- Remove screws 8.
- Remove membrane support plate 9 and the membrane.
- Remove any sealing mass remnants and clean the engine case section thoroughly.
- Warm the engine case section in an oven.

Guideline

150 °C (302 °F)

- Knock the engine case section against a level wooden plate. This will cause the bearings to drop out of the bearing seats.



Info

Any bearings that remain in the engine case section must be removed using a suitable tool.

- Press out the shaft seal ring of crankshaft 7 from the inside to the outside.
- Press in the shaft seal ring from the outside toward the inside, with the open side facing outward.



Info

The shaft seal ring must be flush on the outside.

- Warm the engine case section again.

Guideline

150 °C (302 °F)

- Insert the new cold bearings into the bearing seats of the hot engine case section and, if necessary, use a suitable press drift to push the bearing all the way to the stop or so that it is flush.



Info

When pressing the bearing in, ensure that the engine case section is level to prevent damage.

Only press the bearings in via the outer bearing race; otherwise, the bearings will be damaged when they are pressed in.

- After the engine case section has cooled, check that the bearings are firmly seated.



Info

If the bearings are not firmly seated after cooling, it is likely that they will rotate in the engine case when warm. In this case, the engine case must be renewed.

- Press in the shaft seal ring of countershaft ⑤ and shift shaft ⑥ with the open side facing inward until it is flush.
- Position membrane support plate ⑨ together with the membrane.
- Mount and tighten screws ⑧.

Guideline

Screw, membrane	M3	1.5 Nm (1.11 lbf ft)	Loctite® 243™
-----------------	----	-------------------------	---------------

- Position membrane support plate ④ together with the membrane.
- Mount and tighten screws ③.

Guideline

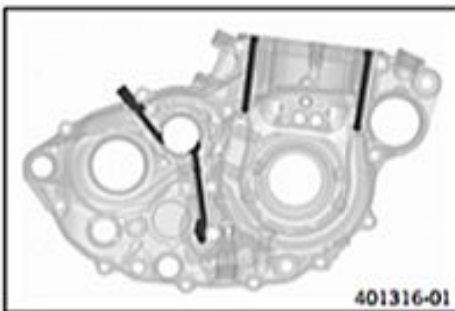
Screw, membrane	M3	1.5 Nm (1.11 lbf ft)	Loctite® 243™
-----------------	----	-------------------------	---------------

- Position oil spray tube ②.
- Mount and tighten screw ①.

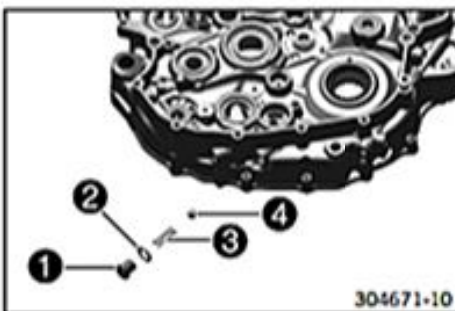
Guideline

Screw, oil spray tube	M4	5 Nm (3.7 lbf ft)	Loctite® 243™
-----------------------	----	----------------------	---------------

- Mount the dowels.
- Blow compressed air through all oil channels and check that they are clear.



18.4.3 Removing the oil pressure regulator valve



- Remove screw plug ① with sealing washer ②.
- Remove pressure spring ③ and ball ④.

18.4.4 Checking spring length of oil pressure regulator valve



Preparatory work

- Remove the oil pressure regulator valve. (☛ p. 159)

Main work

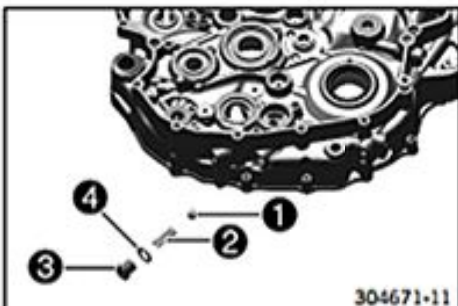
- Measure the spring length of the oil pressure regulator valve.

Oil pressure regulator valve	
Minimum length of preload spring	23.5 mm (0.925 in)

- If the measured value does not meet specifications:
 - Change the spring.

Finishing work

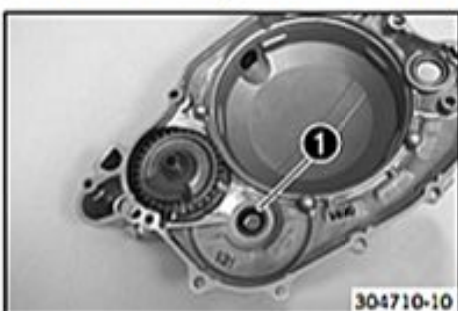
- Install the oil pressure regulator valve. (☛ p. 160)

18.4.5 Installing the oil pressure regulator valve


- Install ball ① and pressure spring ②.
- Mount and tighten plug ③ with sealing washer ④.

Guideline

Oil pressure control valve plug	M12x1.5	20 Nm (14.8 lbf ft)
---------------------------------	---------	------------------------

18.4.6 Removing the crankshaft seal ring in the clutch cover


- Remove the crankshaft seal ring in clutch cover ①.

18.4.7 Installing the crankshaft seal ring in the clutch cover


- Press crankshaft seal ring ① into the clutch cover with the open side flush toward the inside.
- Grease the sealing lip.

18.4.8 Removing the water pump

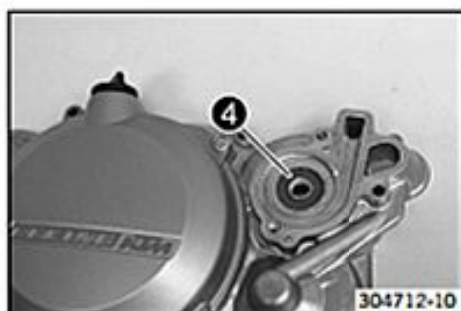

- Remove nut ①.
- Remove water pump impeller ②.


Info

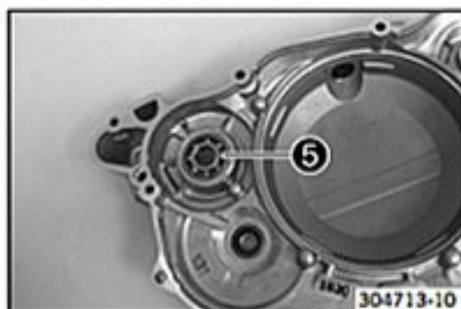
If the water pump impeller cannot be detached, then the water pump shaft can be pressed out toward the inside.



- Remove balancer shaft ③.



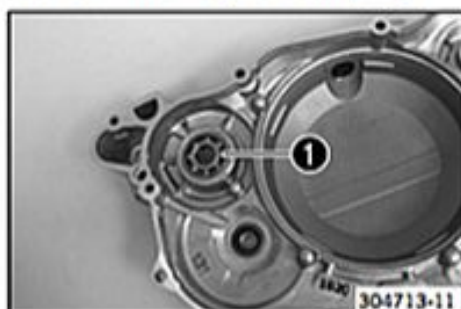
- Remove shaft seal ring 4.



- Press out water pump bearing 5 toward the inside with an appropriate tool.

**Info**

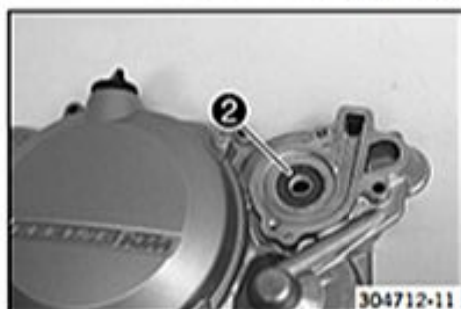
Provide suitable support for the clutch cover while pressing out.

18.4.9 Installing the water pump

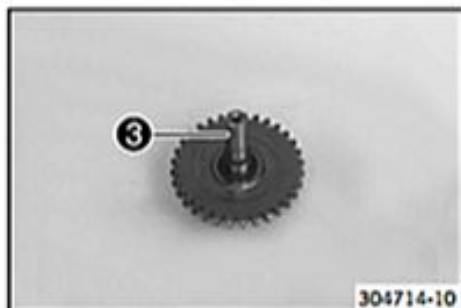
- Press water pump shaft bearing 1 in until it is flush using the appropriate tool.

**Info**

Support the clutch cover sufficiently when pressing in.

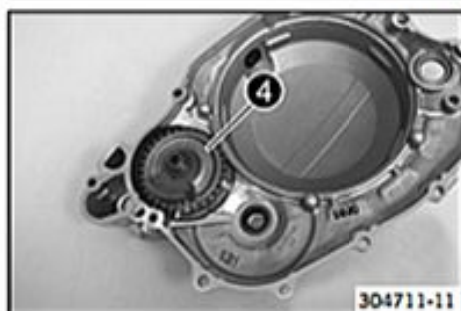


- Press shaft seal ring 2 all the way in.



- Mount special tool 3 on the water pump shaft.

Mounting sleeve (90129005000) (☞ p. 317)



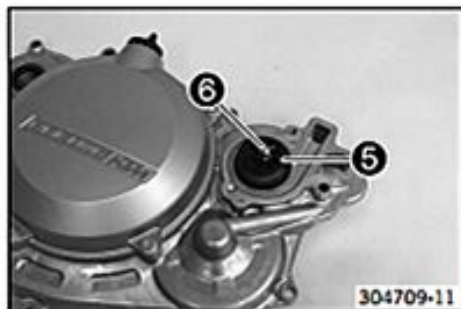
- Mount balancer shaft 4.

**Info**

Be careful not to damage the shaft seal rings.

- Remove the special tool.

Mounting sleeve (90129005000) (☞ p. 317)



- Mount water pump impeller ⑤.
- Mount and tighten nut ⑥.

Guideline

Nut, water pump impeller	M6	8 Nm (5.9 lbf ft)	Loctite® 243™
--------------------------	----	----------------------	---------------

18.4.10 Removing the timing chain sprocket



- Warm up the timing chain sprocket ① with a blow-dryer.
- Pull off the timing chain sprocket with the special tool.

Puller, 2-arm (60029033000) (☞ p. 312)


Info

The timing chain sprocket is usually damaged by the disassembly and must be replaced.

18.4.11 Installing the timing chain sprocket


Info

Never clamp the crankshaft with a crankshaft journal in the bench vise and try to hammer on the timing chain sprocket. In such a case, the crank webs will be distorted rendering the crankshaft unserviceable.

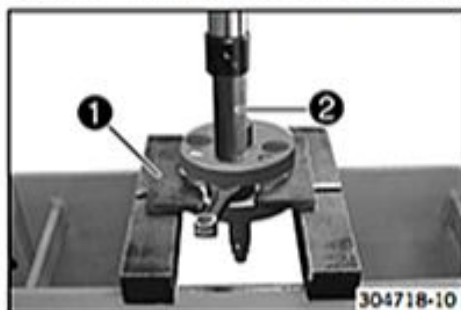


- Warm up the new timing chain sprocket and immediately push it onto the crankshaft.

Guideline

180 °C (356 °F)

18.4.12 Changing the connecting rod, conrod bearing, and crank pin


Main work

- Position the crankshaft with special tool ① in the press.

Separator plate (78029009000) (☞ p. 316)

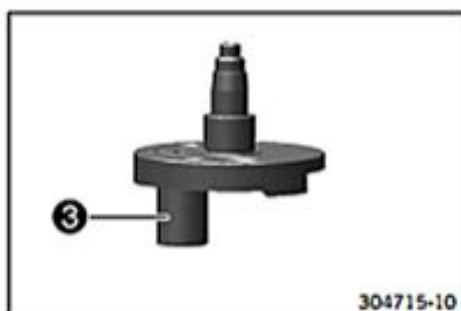
- Press the crank pin out of the upper crank web with special tool ②.

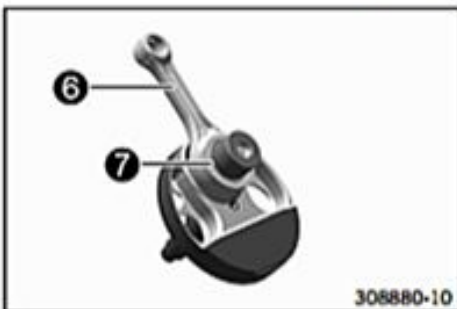
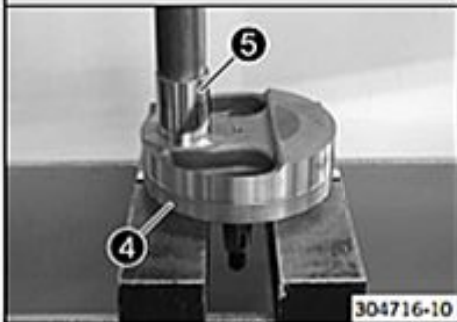
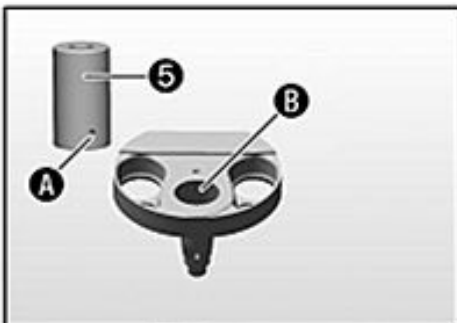
Pressing device for crankshaft, complete (75029047000) (☞ p. 314)


Info

Hold the lower crank web.

- Take off the connecting rod and bearing.
- Press crank pin ③ out of the lower crank web.





- Place the crank web onto special tool ④.

Insert for crankshaft pressing device (78029008000) (☞ p. 316)

i Info

The special tool must be positioned with the flat surface facing downward.

- Press the new crank pin ⑤ all the way in.
 - ✓ Oil channel ① is aligned with oil channel ②.
 - ✗ If the oil channels are not correctly aligned, the conrod bearing will not be supplied with oil.
- Blow compressed air through the oil channels to check that they are clear.



- Mount the new connecting rod ⑥.

i Info

Lubricate bearing ⑦ thoroughly.



- Position special tools ⑧ and ⑨ on the press.

Pressing device for crankshaft, complete (75029047000) (☞ p. 314)

Insert for crankshaft pressing device (78029008000) (☞ p. 316)

- Place the crank web in with the connecting rod and the bearing. Position the second crank web.

- Position special tool ④ with the heel at the bottom.

Insert for crankshaft pressing device (78029008000) (☞ p. 316)

- Press the upper crank web in as far as possible.

i Info

The press mandrel must be applied above the crank pin.

- Take the crankshaft out of the special tool, and check the connecting rod for freedom of movement.

- Measure axial play ① between the connecting rod and the crank webs using the special tool.

Feeler gauge (59029041100) (☞ p. 312)

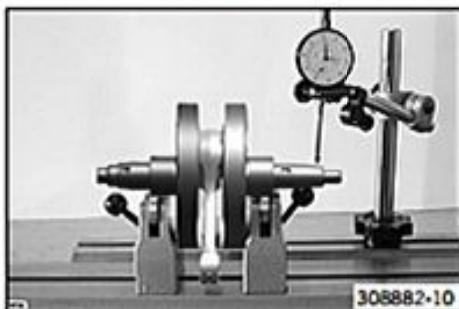
Connecting rod - end play of lower conrod bearing	0.20... 0.45 mm (0.0079... 0.0177 in)
---	---------------------------------------

- If the measured value is less than the specification:
 - Correct until it complies with the specified value.

Finishing work

- Check the crankshaft run-out at bearing pin. (☞ p. 164)

18.4.13 Checking crankshaft run-out at bearing pin



- Position the crankshaft on a roller block.
- Turn the crankshaft slowly.
- Check the crankshaft run-out on both bearing pins.

Crankshaft - run-out on bearing pin	$\leq 0.16 \text{ mm}$ ($\leq 0.0063 \text{ in}$)
-------------------------------------	---

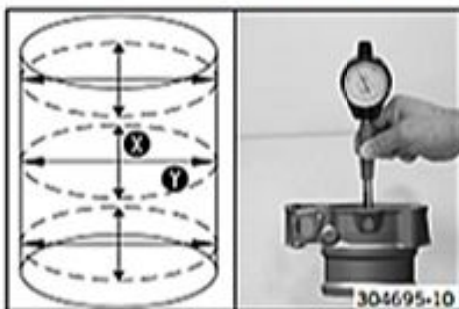
- If the crankshaft run-out at the bearing pin is larger than the specification:
 - Align the crankshaft.

18.4.14 Cylinder - Nikasil® coating



Nikasil® is a surface protection layer for a coating procedure developed by Mahle. The name is derived from the two materials used in this procedure - a layer of nickel into which is embedded the particularly hard silicone carbide. The most important advantages of the **Nikasil®** coating are very good heat conductivity, resulting in much improved performance, low wear, and a lightweight cylinder.

18.4.15 Checking/measuring the cylinder



- Check the cylinder bearing surface for damage.
 - If the cylinder bearing surface is damaged:
 - Change the cylinder and piston.
- Measure the cylinder diameter at several locations on the **X**- and **Y**-axes using a micrometer to identify oval wear.

Guideline

Cylinder - drill hole diameter	
Size I	95.000... 95.012 mm (3.74015... 3.74062 in)
Size II	95.013... 95.025 mm (3.74066... 3.74113 in)



- The cylinder size **1** is labeled on the side of the cylinder.



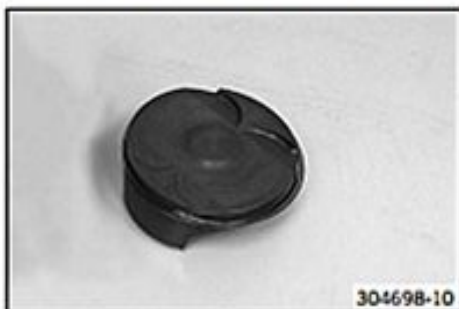
- Using a straightedge and the special tool, check the sealing area of the cylinder head for distortion.

Feeler gauge (59029041100) (☞ p. 312)

Cylinder/cylinder head - sealing area distortion	$\leq 0.10 \text{ mm}$ ($\leq 0.0039 \text{ in}$)
--	---

- If the measured value does not meet specifications:
 - Change the cylinder.

18.4.16 Checking/measuring the piston



304698-10

- Check the piston sliding surface for damage.
 - If the piston sliding surface is damaged:
 - Replace the piston and, if necessary, the cylinder.
- Check that the piston rings move easily in the piston ring grooves.
 - If the piston ring is stiff:
 - Clean the piston ring groove.

**Tip**

An old piston ring can be used to clean the piston ring groove.

- Check the piston rings for damage.
 - If the piston ring is damaged:
 - Replace the piston ring.

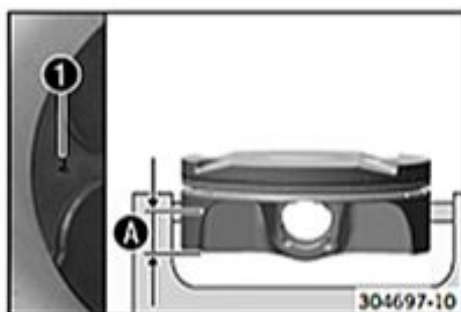
**Info**

Mount the piston ring with the marking facing upward.

- Check the piston pins for discoloration or signs of wear.
 - If the piston pin shows severe discoloration/signs of wear:
 - Replace the piston pin.
- Place the piston pin in the connecting rod and check the seating for play.
 - If the piston pin seating has excessive play:
 - Replace the connecting rod and piston pin.
- Measure the piston at the piston skirt, parallel to the gudgeon pin, at a distance of **A**.

Guideline

Distance A	7 mm (0.28 in)
Piston - diameter	
Size I	94.93... 94.96 mm (3.7374... 3.7386 in)
Size II	94.94... 94.97 mm (3.7378... 3.739 in)

**Info**Piston dimensions **1** are marked on the piston head.

304697-10

18.4.17 Checking the piston ring end gap



304694-10

- Remove the piston ring from the piston.
- Place the piston ring in the cylinder and align it with the piston.

Guideline

Under the upper edge of the cylinder	10 mm (0.39 in)
--------------------------------------	-----------------

- Measure the end gap with special tool **1**.

Guideline

Piston ring end gap	
Compression ring	≤ 1.00 mm (≤ 0.0394 in)
Oil scraper ring	≤ 1.20 mm (≤ 0.0472 in)

Feeler gauge (59029041100) (☞ p. 312)

- If the end gap is more than the specified value:
 - Check/measure the cylinder. (☞ p. 164)
- If the cylinder wear is within the tolerance range:
 - Replace the piston ring.
- Mount the piston ring with the marking facing upward.

18.4.18 Measuring the piston/cylinder mounting clearance



- Check/measure the cylinder. (☛ p. 164)
- Check/measure the piston. (☛ p. 165)
- The smallest piston/cylinder mounting clearance equals the smallest cylinder bore diameter minus the largest piston diameter. The largest piston/cylinder mounting clearance equals the largest cylinder bore diameter minus the smallest piston diameter.

Guideline

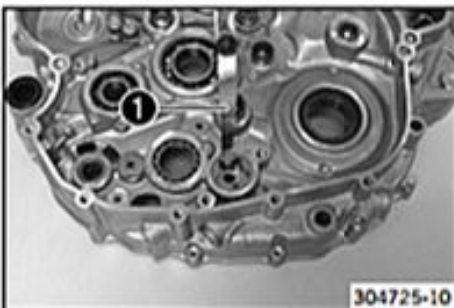
Piston/cylinder - mounting clearance	
Size I	0.040... 0.082 mm (0.00157... 0.00323 in)
Size II	0.043... 0.085 mm (0.00169... 0.00335 in)
Wear limit	0.120 mm (0.00472 in)

18.4.19 Checking the oil pumps



Info

The following steps apply to both oil pumps.



- Use special tool ❶ to measure the play between the external rotor and the engine case.

Feeler gauge (59029041100) (☛ p. 312)

Oil pump

External rotor/engine case clearance	≤ 0.20 mm (≤ 0.0079 in)
--------------------------------------	-------------------------

- If the measured value does not meet specifications:
 - Change the oil pump and, if necessary, the engine case.
- Use special tool ❶ to measure the play between the external rotor and the internal rotor.

Feeler gauge (59029041100) (☛ p. 312)

Oil pump

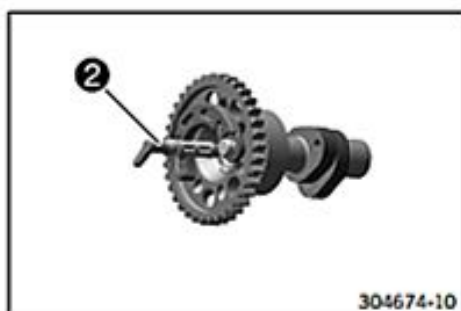
External rotor/internal rotor clearance	≤ 0.20 mm (≤ 0.0079 in)
---	-------------------------

- If the measured value does not meet specifications:
 - Replace the oil pump.

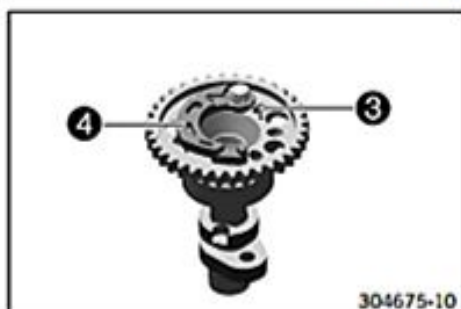
18.4.20 Disassembling the autodecompressor



- Take lock ring ❶ from the autodecompression shaft and dispose of it.



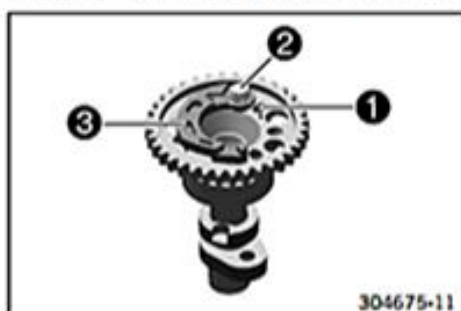
- Pull autodecompression shaft **2** out of the camshaft.



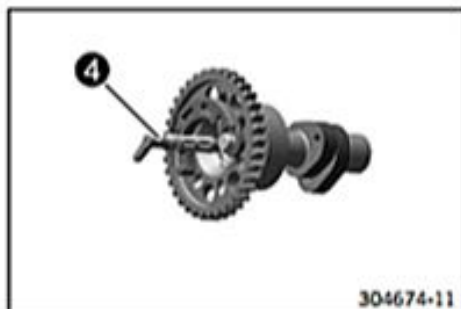
- Release and remove autodecompression spring **3**.

**Info**

Autodecompression weight **4** cannot be taken off.

18.4.21 Assembling the autodecompressor

- Insert long flange **1** of the autodecompression spring in the hole, push the autodecompression spring over bearing bolt **2** and hook it into autodecompression weight **3**.



- Mount autodecompression shaft **4** in the camshaft.



- Mount new lock ring **5**.
- Perform a function check.
 - The autodecompression spring does not turn the autodecompression shaft back to the stop:
 - Pre-tension the autodecompression spring more or replace it.

18.4.22 Checking camshaft

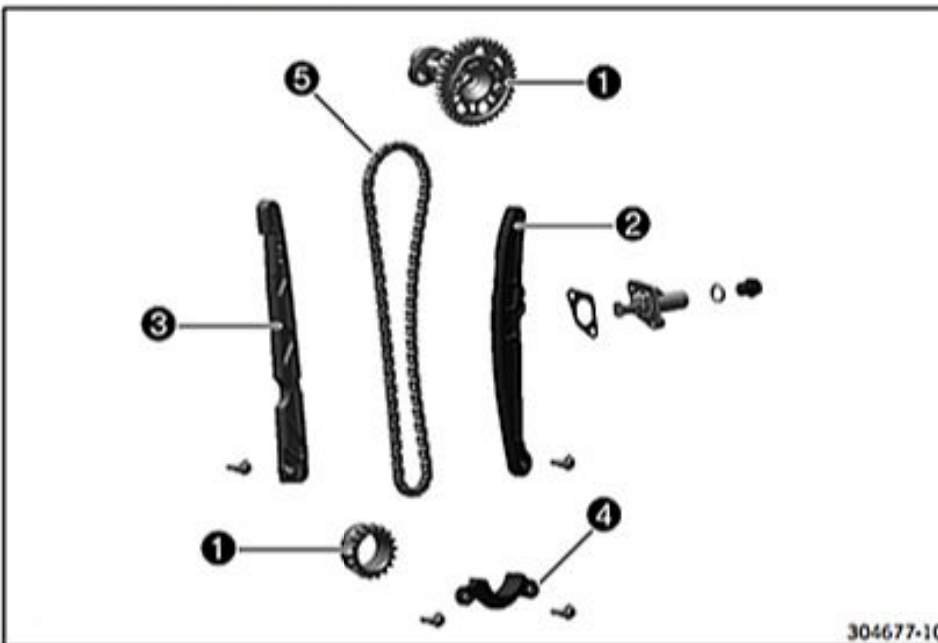


- Check the camshaft for damage and wear.
 - If there is damage or wear:
 - Change the camshaft.
 - If the camshaft surface is damaged, check the oil supply of the camshaft and the rocker arm.
- Measure the cams of the camshaft.

Camshaft - cam height	
Exhaust	33.10... 33.30 mm (1.3031... 1.311 in)
Camshaft - cam height (all 450 models)	
Intake	33.90... 34.10 mm (1.3346... 1.3425 in)
Camshaft - cam height (all 500 models)	
Intake	34.40... 34.60 mm (1.3543... 1.3622 in)

- If the measured value does not meet specifications:
 - Change the camshaft.

18.4.23 Checking the timing assembly



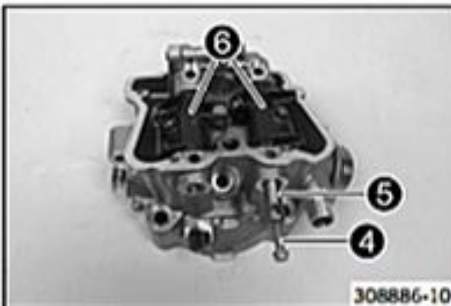
- Clean all parts well.
- Check the timing chain gear/timing chain sprocket **1** for damage and wear.
 - If there is damage or wear:
 - Change the camshaft/timing chain sprocket.
- Check the timing chain tensioning rail **2** for damage and wear.
 - If there is damage or wear:
 - Replace the timing chain tensioning rail.
- Check the timing chain guide rail **3** for damage and wear.
 - If there is damage or wear:
 - Replace the timing chain guide rail.
- Check the timing chain securing guide **4** for damage and wear.
 - If there is damage or wear:
 - Replace the timing chain securing guide.
- Check timing chain **5** for damage and wear.

- ▶ If there is damage or wear:
 - Replace the timing chain.
- Check the timing chain links for smooth operation. Let the timing chain hang down freely.
 - ▶ The chain links no longer align in a straight line:
 - Replace the timing chain.

18.4.24 Removing the rocker arm



- Remove screws **1** and **2** of the rocker arm shafts.
- Remove plugs **3** with the O-rings.



- Screw appropriate screw **4** into the rocker arm shafts. Pull out rocker arm shafts **5**.
- Take off rocker arm **6**.

18.4.25 Removing the valves

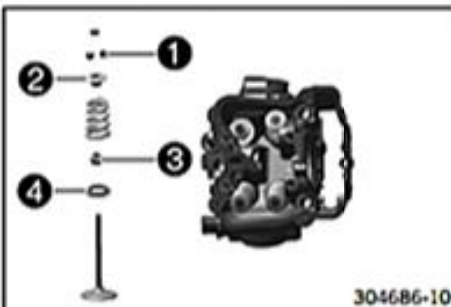


- Take the shims out of the valve spring retainers and lay them to one side according to their normal built-in position.
- Pretension the valve springs using the special tool.

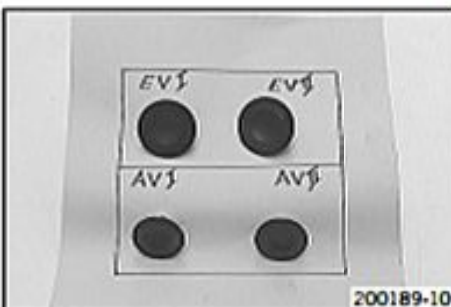
Valve spring compressor (59029019000) (☞ p. 311)
--

Insert for valve spring lever (77029041000) (☞ p. 315)
--

- Remove valve keys **1** and relax the valve springs.



- Remove valve spring retainer **2** and the valve spring.
- Pull the valve out of the valve guide from below and remove valve stem seal **3** and valve spring seat **4**.

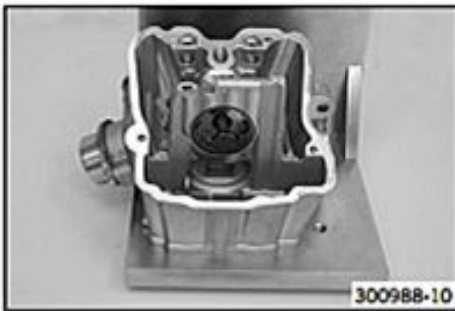


- Mark the valves according to their normal built-in position.

i Info

Place the valve into a box according to the installation position and label the box.

18.4.26 Changing camshaft bearing

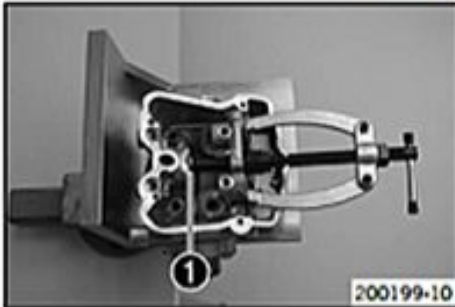


- Mount the cylinder head.

Clamping plate (7502905000) (☞ p. 314)

- Remove the large camshaft bearing using the special tool.

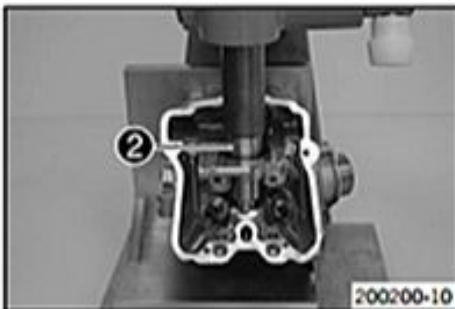
Push-out drift (75029051000) (☞ p. 314)



- Remove the small camshaft bearing ① using the special tool.

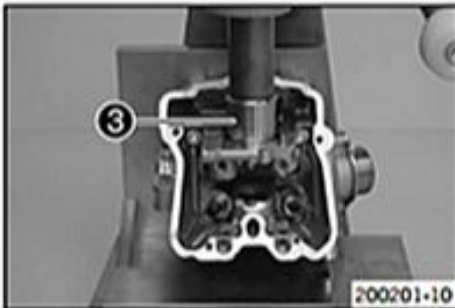
Bearing puller (15112017000) (☞ p. 309)

Insert for bearing puller (15112018100) (☞ p. 310)



- Press the small camshaft bearing in until flush using the special tool ②.

Push-in drift (75029044020) (☞ p. 314)



- Press the large camshaft bearing in until flush using special tool ③.

Push-in drift (75029044010) (☞ p. 313)

18.4.27 Checking the valves



Info

The valve shaft is hard-chrome plated; wear generally appears at the valve guide.



- Check the run-out at the valve plate.

Valve

Run-out at valve plate

≤ 0.05 mm (≤ 0.002 in)

- If the measured value does not meet specifications:
 - Change the valve.



- Check sealing seat **A** on the valve.

Valve	
Intake sealing seat width	2.00 mm (0.0787 in)

Valve	
Exhaust sealing seat width	2.00 mm (0.0787 in)

- If the sealing area is not in the center of the valve seat or deviates from the specified value:
 - Rework the valve seat.

18.4.28 Checking valve springs



- Check the valve springs for breakage and wear (visual check).
 - If the valve spring is broken or worn:
 - Change the valve spring.
- Measure the length of the valve springs.

Valve spring	
Intake minimum length (without valve spring seat)	40.7 mm (1.602 in)

Valve spring	
Exhaust minimum length (without valve spring seat)	40.7 mm (1.602 in)

- If the measured value does not meet specifications:
 - Change the valve spring.

18.4.29 Checking valve spring seat



- Check the valve spring seat for breakage and wear (visual check).
 - If the valve spring seat is broken or worn:
 - Change the valve spring seat.
- Measure the thickness of the valve spring seat.

Valve spring	
Valve spring seat	1.8 mm (0.071 in)

- If the measured value does not meet specifications:
 - Change the valve spring seat.

18.4.30 Checking the cylinder head



- Check exhaust valve guides **1** using the special tool.

Limit plug gauge (77029026000) (☞ p. 315)

- If the special tool is easy to insert in the valve guide:
 - Change the valve guide and valve.

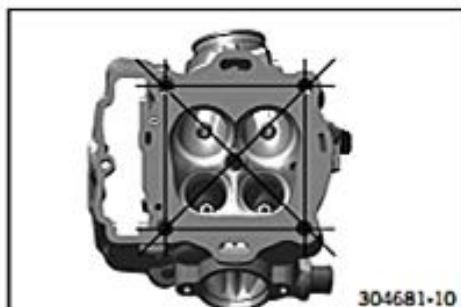
- Check intake valve guides **2** using the special tool.

Limit plug gauge (59029026006) (☞ p. 312)

- If the special tool is easy to insert in the valve guide:
 - Change the valve guide and valve.

- Check the sealing area of the spark plug thread and the valve seats from damage and cracking.

- If there is damage or cracking:
 - Change the cylinder head.



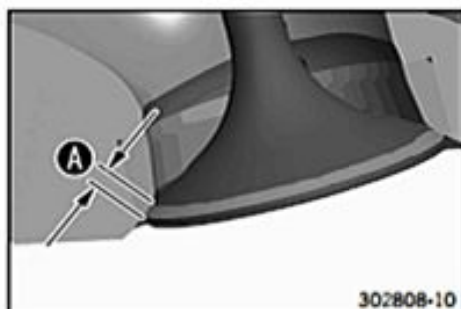
304681-10

- Using a straightedge and the special tool, check the sealing area of the cylinder for distortion.

Feeler gauge (59029041100) (☞ p. 312)

Cylinder/cylinder head - sealing area distortion	≤ 0.10 mm (≤ 0.0039 in)
--	-------------------------

- If the measured value does not meet specifications:
 - Change the cylinder head.



302808-10

- Check sealing seat **A** of the valves.

Valve

Intake sealing seat width	2.00 mm (0.0787 in)
---------------------------	---------------------

Valve

Exhaust sealing seat width	2.00 mm (0.0787 in)
----------------------------	---------------------

- If the measured value does not meet specifications:
 - Rework the valve seat.
- Blow compressed air through all oil channels and check that they are clear.

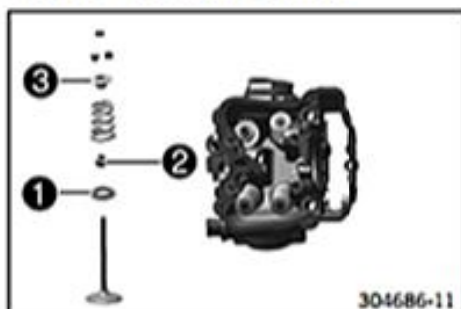
18.4.31 Checking the rocker arm shafts



301119-10

- Check the rocker arm shafts for damage and wear.
 - If there is damage or wear:
 - Change the rocker arm shafts.

18.4.32 Installing the valves



304686-11

- Position valve spring seats **1**. Install new valve stem seals **2**.
- Mount the valves according to their normal built-in position.
- Mount the springs and spring retainers **3**.



308887-10

- Pretension the valve springs using the special tool.

Valve spring compressor (59029019000) (☞ p. 311)
--

Insert for valve spring lever (77029041000) (☞ p. 315)
--



- Mount the valve keys.

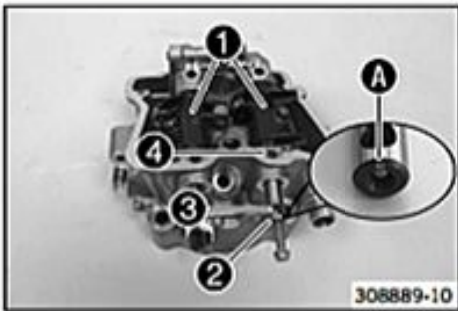


Info

When mounting the valve keys, check that they are seated correctly; preferably, fix the valve keys to the valve with a little grease.

- Place shims into the valve spring retainers according to the installation position.

18.4.33 Installing the rocker arm



- Position rocker arm ① and push in rocker arm shafts ②.
- ✓ Markings A face upward.



Info

Make sure that the tapped hole of the rocker arm shaft is positioned facing outwards.
Align drill holes ③ of the rocker arm shafts with drill holes ④ of the cylinder head.



- Install and tighten screws ⑤ and ⑥ of the rocker arm shafts.

Guideline

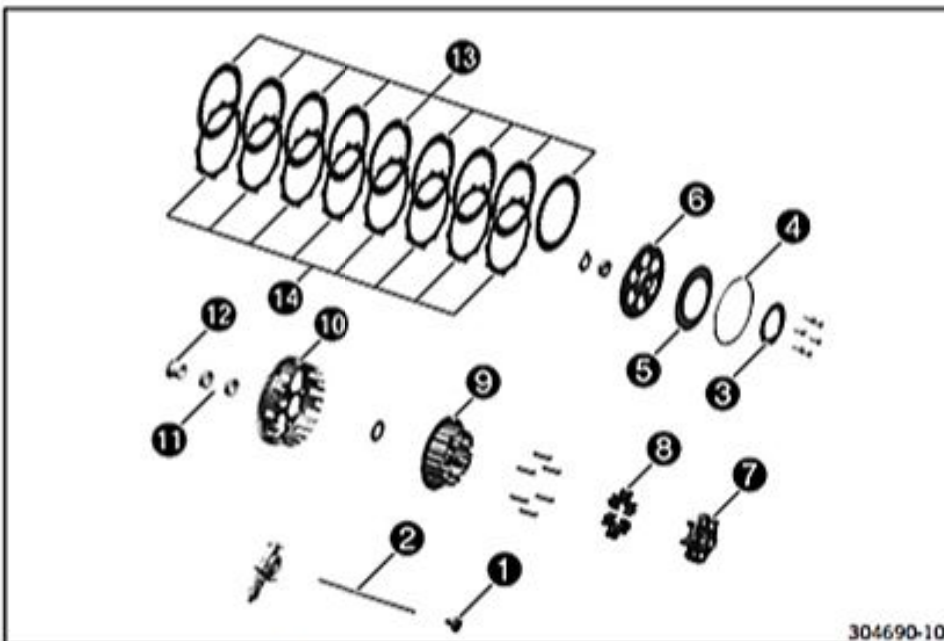
Screw, rocker arm bearing	M7x1	15 Nm (11.1 lbf ft)
---------------------------	------	------------------------

- Install and tighten plug ⑦ with O-rings.

Guideline

Plug, rocker arm	M14x1.25	20 Nm (14.8 lbf ft)
------------------	----------	------------------------

18.4.34 Checking the clutch



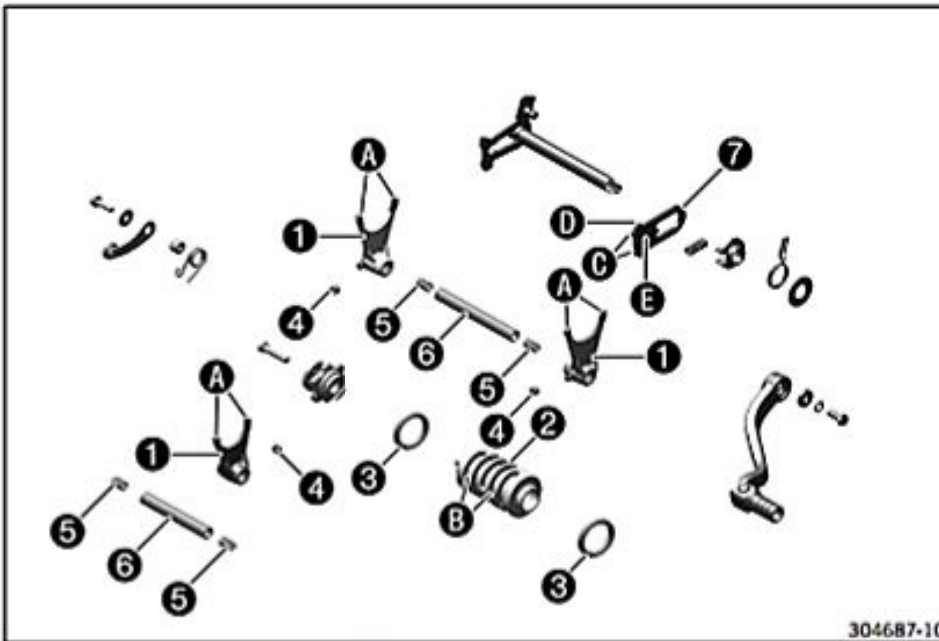
- Check pressure piece ① for damage and wear.
 - If there is damage or wear:
 - Change the pressure piece.
- Place push rod ② on a level surface and check for run-out.
 - If there is run-out:

- Change the push rod.
- Check spring retainer ③ for damage and wear.
 - If there is damage or wear:
 - Change the spring retainer.
- Check pretension ring ④ for damage and wear.
 - If there is damage or wear:
 - Change the pretension ring.
- Check spring washer ⑤ for damage and wear.
 - If there is damage or wear:
 - Change the spring washer.
- Check the thrust face of pressure cap ⑥ for damage and wear.
 - If there is damage or wear:
 - Change the pressure cap.
- Check clutch center ⑦ for damage and wear.
 - If there is damage or wear:
 - Change the clutch center.
- Check damping rubber ⑧ for damage and wear.
 - If there is damage or wear:
 - Change the damping rubbers.
- Check the inner clutch hub ⑨ for damage and wear.
 - If there is damage or wear:
 - Change the inner clutch hub.
- Check the contact surfaces of the clutch facing discs in outer clutch hub ⑩ for damage and wear.
 - If there is damage or wear:
 - Change the clutch facing discs and the outer clutch hub.
- Check needle bearings ⑪ and collar bushing ⑫ for damage and wear.
 - If there is damage or wear:
 - Change the needle bearings and collar bushing.
- Check the intermediate clutch discs ⑬ for damage and wear.
 - If the intermediate clutch discs are not level and have pittings:
 - Change all intermediate clutch discs.
- Check clutch facing discs ⑭ for discoloration and scoring.
 - If there is discoloration or scoring:
 - Change all clutch facing discs.
- Check the thickness of clutch facing discs ⑭.

Clutch facing disc - thickness	≥ 1.9 mm (≥ 0.075 in)
--------------------------------	-----------------------

- If the clutch facing disc does not meet specifications:
 - Change all clutch facing discs.

18.4.35 Checking the shift mechanism



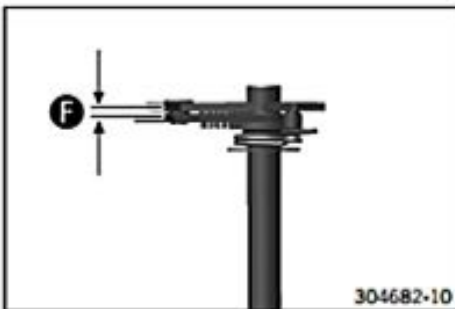
304687-10

- Check shift forks **1** at leaf **A** for wear.

Shift fork	
Thickness at leaf	4.85... 4.95 mm (0.1909... 0.1949 in)

- If the measured value does not meet specifications:
 - Change the shift fork.
- Check shift grooves **B** of shift drum **2** for wear.
 - If the shift groove is worn:
 - Change the shift drum.
- Check the seat of the shift drum in grooved ball bearing **3**.
 - If the shift drum is not correctly seated:
 - Change the shift drum and/or the grooved ball bearing.
- Check grooved ball bearing **3** for smooth operation and wear.
 - If the grooved ball bearing does not move easily or is worn:
 - Change the grooved ball bearing.
- Check shift rollers **4** for surface damage and cracking.
 - If the shift roller exhibits surface damage or cracking:
 - Change the shift drum.
- Check springs **5** of the shift rails for damage and wear.
 - If the spring is damaged or worn:
 - Change the spring of the shift rail.
- Check shift rails **6** on a flat surface for run-out.
 - If there is run-out:
 - Change the shift rail.
- Check the shift rails for scoring, seizure marks, and stiffness in the shift fork.
 - If the shift rail has scoring, seizure marks, or does not move easily in the shift fork:
 - Change the shift rail.
- Check sliding plate **7** for wear on contact areas **C**.
 - If the sliding plate is worn:
 - Change the sliding plate.
- Check return surface **D** on the sliding plate for wear.
 - If there is severe grooving:
 - Change the sliding plate.

- Check guide bolts **E** for firm seating and wear.
 - If the guide bolts are loose or worn:
 - Change the sliding plate.
- Preassemble the shift shaft. (☛ p. 176)

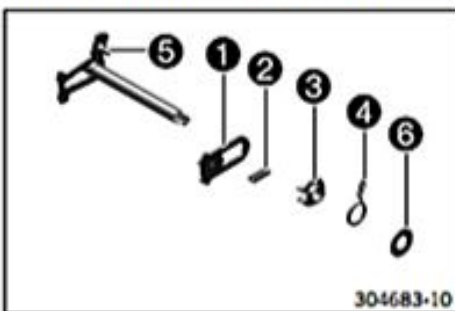


- Check clearance **F** between the sliding plate and the shift quadrant.

Shift shaft - play in sliding plate/shift quadrant	0.40... 0.80 mm (0.0157... 0.0315 in)
--	---------------------------------------

- If the measured value does not meet specifications:
 - Change the sliding plate.

18.4.36 Preassembling the shift shaft



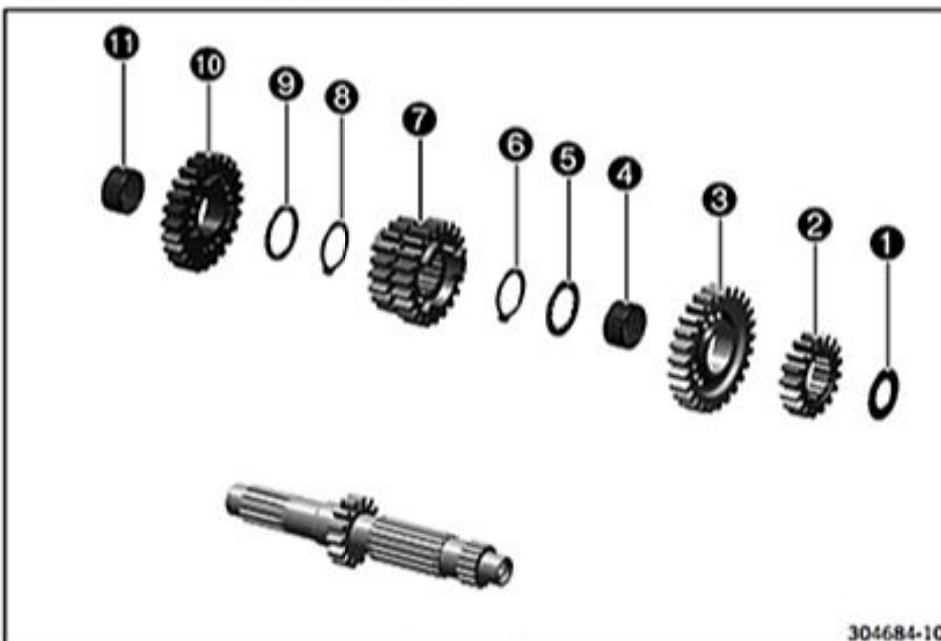
- Secure the short end of the shift shaft in the bench vise.

Guideline

Use soft jaws.

- Mount sliding plate **1** with the guide pin facing downward and put the guide pin on the shift quadrant.
- Mount pressure spring **2**.
- Slide on spring guide **3**, push return spring **4**, with the offset end facing upward, over the spring guide and lift the offset end over abutment bolt **5**.
- Mount stop disk **6**.

18.4.37 Disassembling the main shaft



- Secure the main shaft with the toothed end facing downward in the vise.

Guideline

Use soft jaws.

- Remove stop disk **1** and 2nd-gear fixed gear **2**.
- Remove 6th-gear idler gear **3**.
- Remove the split needle bearing **4** and stop disk **5**.
- Remove lock ring **6**.
- Remove 3rd/4th-gear sliding gear **7**.

- Remove lock ring ⑧.
- Remove stop disk ⑨ and 5th-gear idler gear ⑩.
- Remove split needle bearing ⑪.

18.4.38 Assembling the main shaft

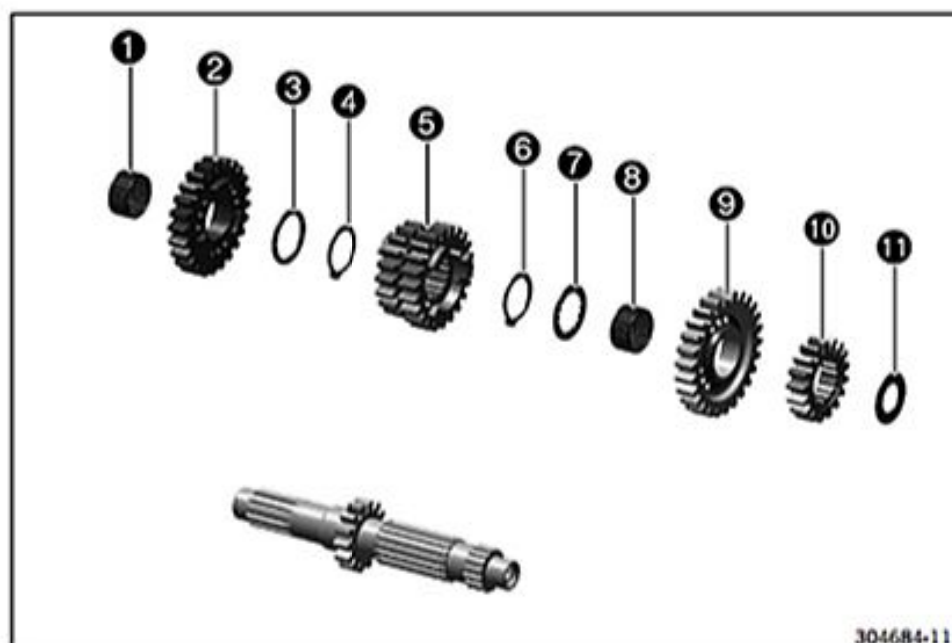


Info

Use new lock rings with every repair.

Preparatory work

- Carefully grease all parts before assembling.
- Check the transmission. (☞ p. 179)



304684-11

Main work

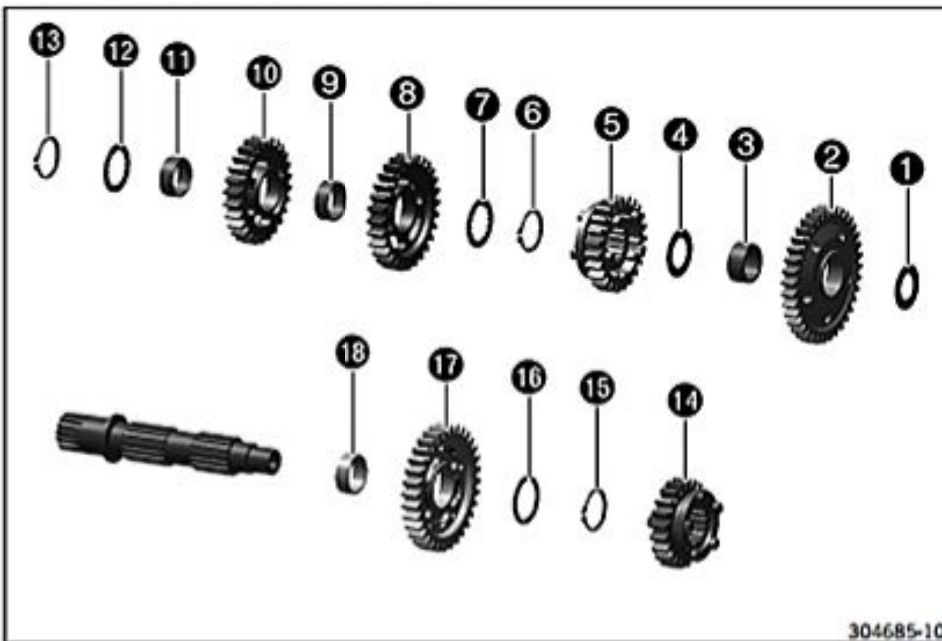
- Secure the main shaft with the toothed end facing downward in the vise.

Guideline

Use soft jaws

- Mount split needle bearing ①, attach 5th-gear idler gear ② with the shift dogs facing upward.
- Mount stop disk ③ and lock ring ④.
- Push on the 3rd/4th-gear sliding gear ⑤ with the small gear wheel pointing downward, and mount lock ring ⑥.
- Push on stop disk ⑦ and split needle bearing ⑧.
- Attach 6th-gear idler gear ⑨ with the shift dogs facing downward.
- Attach 2nd-gear fixed gear ⑩ with the collar facing downward and stop disk ⑪.
- Finally, check all gear wheels for smooth operation.

18.4.39 Disassembling the countershaft



304685-10

- Fix the countershaft in the vice with the toothed end facing downward.

Guideline

Use soft jaws

- Remove stop disk ① and 1st-gear idler gear ②.
- Remove needle bearing ③ and stop disk ④.
- Remove 5th-gear sliding gear ⑤ and lock ring ⑥.
- Remove stop disk ⑦ and 3rd-gear idler gear ⑧.
- Remove needle bearing ⑨ and 4th-gear idler gear ⑩.
- Remove needle bearing ⑪ and stop disk ⑫.
- Remove lock ring ⑬ and 6th-gear sliding gear ⑭.
- Remove lock ring ⑮ and stop disk ⑯.
- Remove 2nd-gear idler gear ⑰ and needle bearing ⑱.

18.4.40 Assembling the countershaft

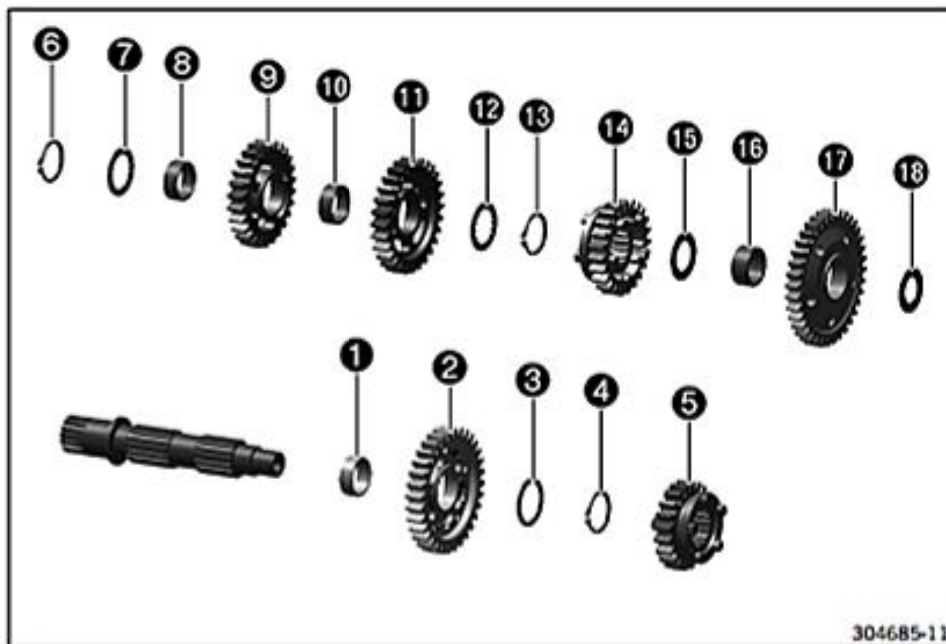


Info

Use new lock rings with every repair.

Preparatory work

- Carefully grease all parts before assembling.
- Check the transmission. (☛ p. 179)



304685-11

Main work

- Fix the countershaft in the vice with the toothed end facing downward.

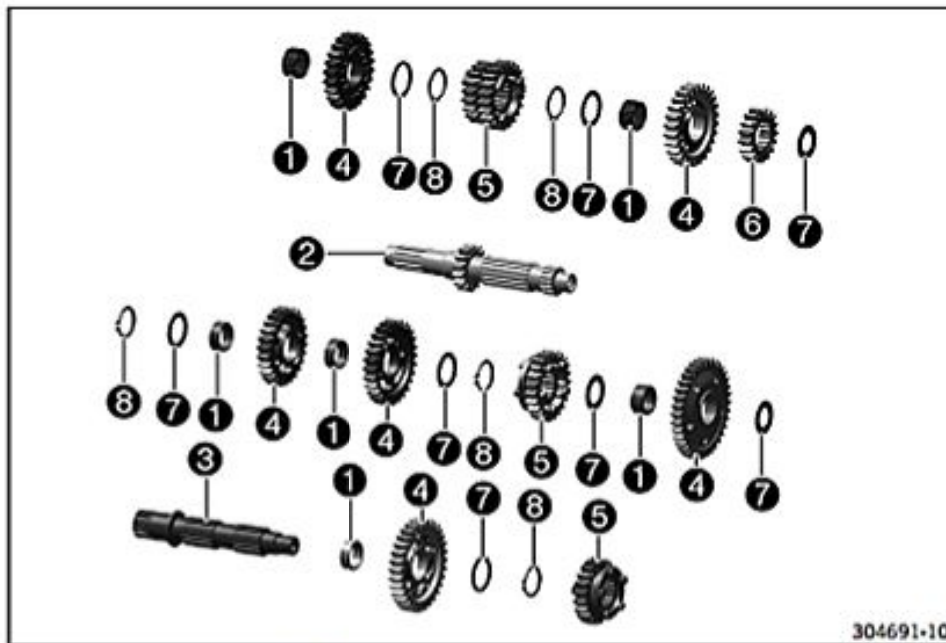
Guideline

Use soft jaws

- Mount needle bearing ① and 2nd-gear idler gear ② onto the countershaft with the protruding collar facing downward.
- Mount stop disk ③ and lock ring ④.
- Mount the 6th-gear sliding gear ⑤ with the shift groove facing up.
- Mount lock ring ⑥ and stop disk ⑦.
- Mount needle bearing ⑧ and the 4th-gear idler gear ⑨ with the collar facing up.
- Mount needle bearing ⑩ and the 3rd-gear idler gear ⑪ with the collar facing down.
- Mount stop disk ⑫ and lock ring ⑬.
- Mount the 5th-gear sliding gear ⑭ with the shift groove facing down and stop disk ⑮.
- Mount needle bearing ⑯, 1st-gear idler gear ⑰ with the recess facing down and stop disk ⑱.
- Finally, check all gear wheels for smooth operation.

18.4.41 Checking the transmission**Condition**

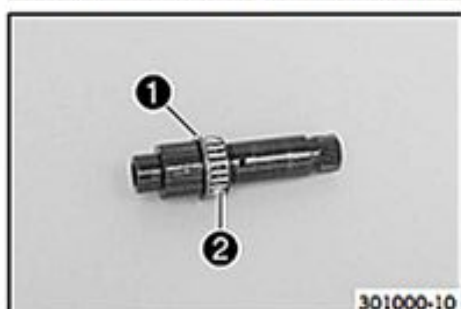
The transmission has been disassembled.



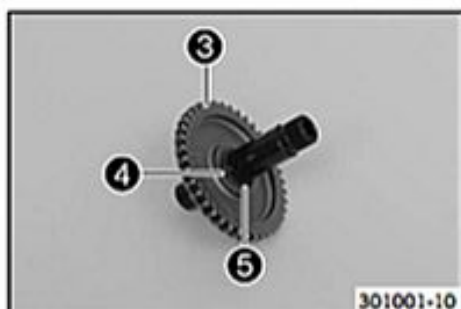
304691-10

- Check needle bearings **1** for damage and wear.
 - If there is damage or wear:
 - Change the needle bearings.
- Check the pivot points of main shaft **2** and countershaft **3** for damage and wear.
 - If there is damage or wear:
 - Change the main shaft and/or countershaft.
- Check the tooth profiles of main shaft **2** and countershaft **3** for damage and wear.
 - If there is damage or wear:
 - Change the main shaft and/or countershaft.
- Check the pivot points of idler gears **4** for damage and wear.
 - If there is damage or wear:
 - Change the gear wheel pair.
- Check the shift dogs of idler gears **4** and sliding gears **5** for damage and wear.
 - If there is damage or wear:
 - Change the gear wheel pair.
- Check the tooth faces of idler gears **4**, sliding gears **5**, and fixed gear **6** for damage and wear.
 - If there is damage or wear:
 - Change the gear wheel pair.
- Check the tooth profiles of sliding gears **5** for damage and wear.
 - If there is damage or wear:
 - Change the gear wheel pair.
- Check sliding gear **5** for smooth operation in the profile of main shaft **2**.
 - If the sliding gear does not move freely:
 - Change the sliding gear or the main shaft.
- Check sliding gears **5** for smooth operation in the profile of countershaft **3**.
 - If the sliding gear does not move freely:
 - Change the sliding gear or the countershaft.
- Check stop disks **7** for damage and wear.
 - If there is damage or wear:
 - Change the stop disks.
- Use new lock rings **8** with every repair.

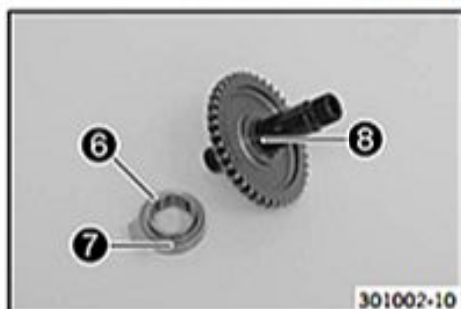
18.4.42 Premounting the kickstarter shaft



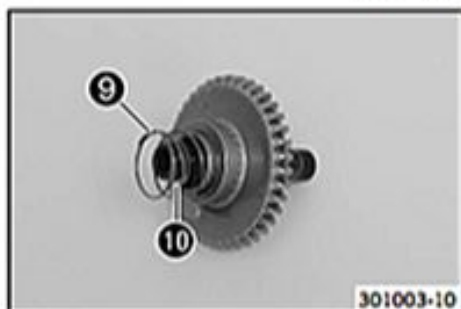
- Mount washer 1 and needle bearing 2.



- Mount starter wheel 3.
- Mount washer 4 and lock ring 5.



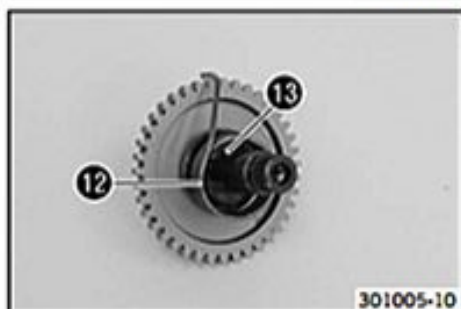
- Mount kickstarter ratchet wheel 6.
- ✓ Marking 7 points to drill hole 8.



- Position spring 9 and mount washer 10.

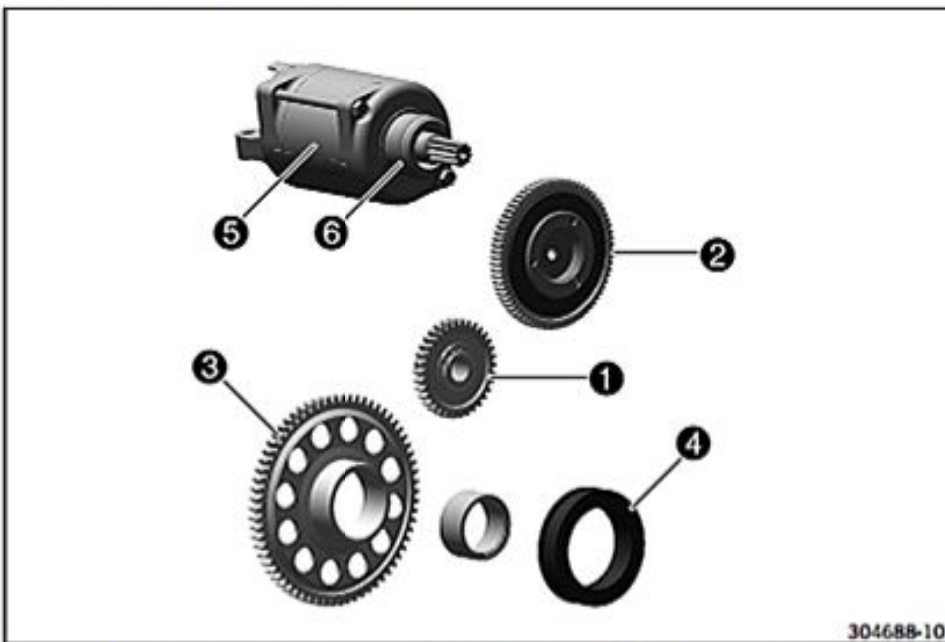


- Mount driving hub 11.



- Position kickstarter spring 12 and hook it into drill hole 13.

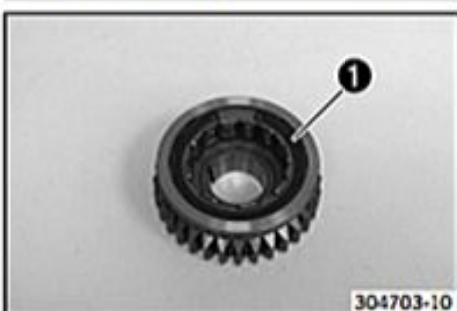
18.4.43 Checking the starter drive



304688-10

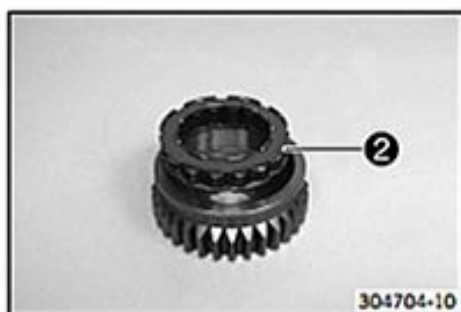
- Check the gear mesh and bearing of starter idler gear **1** for damage and wear.
 - If there is damage or wear:
 - Change the starter idler gear.
- Check the gear mesh and bearing of torque limiter **2** for damage and wear.
 - If there is damage or wear:
 - Change the torque limiter.
- Check the gear mesh and bearing of freewheel gear **3** for damage and wear.
 - If there is damage or wear:
 - Change the freewheel gear or bearing.
- Check freewheel **4** for damage and wear when it is disassembled.
 - If there is damage or wear:
 - Change the freewheel.
- Check the gear mesh of starter motor **5** for damage and wear.
 - If there is damage or wear:
 - Change the starter motor.
- Change the O-ring **6** of the starter motor.
- Connect the negative cable of a 12 volt power supply to the housing of the starter motor. Connect the positive cable of the power supply briefly with connector of the starter motor.
 - If the starter motor does not turn when the circuit is closed:
 - Change the starter motor.

18.4.44 Removing the freewheel



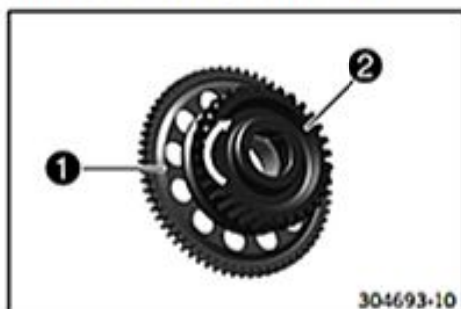
304703-10

- Press expansion ring **1** together with suitable pliers and take off.



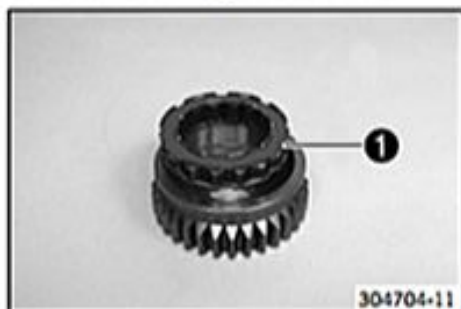
- Take the freewheel ② out of the primary gear.

18.4.45 Checking the freewheel



- Insert freewheel gear ① into primary gear ②, turning the primary gear clockwise; do not wedge!
- Check the locking action of freewheel gear ①.
 - If the primary gear does not turn clockwise or if it does not lock counterclockwise:
 - Remove the freewheel. (↖ p. 182)
 - Turn the freewheel 180°.
 - Install the freewheel. (↖ p. 183)

18.4.46 Installing the freewheel

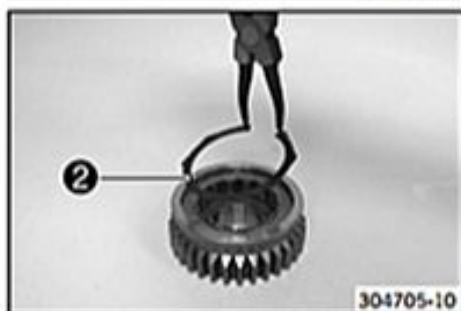


- Thoroughly oil all parts.
- Push the freewheel ① into the primary gear.

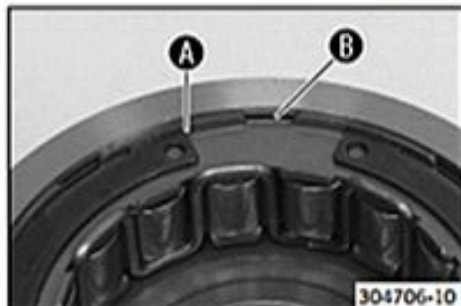


Info

Note the direction of rotation.



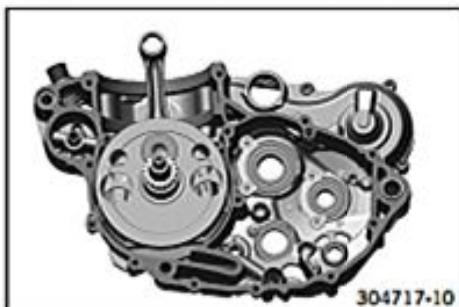
- Mount spreader ring ②.



- Ensure that all lugs of the spreader ring pass through slots ① of the freewheel and engage in groove ② of the primary gear.

18.5 Engine assembly

18.5.1 Installing the crankshaft



- Tighten the right section of the engine case in the engine assembly stand.
- Heat the crankshaft bearing.

Guideline

80 °C (176 °F)



Info

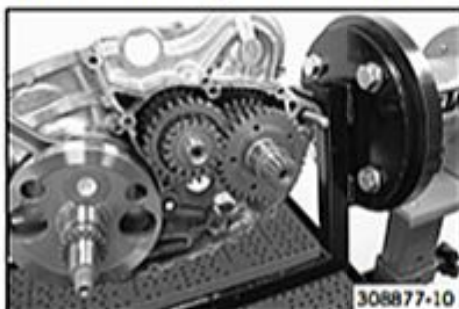
Do not damage the seal ring.

- Mount the special tool on the clutch end of the crankshaft.

Mounting sleeve (78029005000) (☛ p. 316)

- Push the crankshaft all the way into the bearing seat of the right section of the engine case.
- Remove the special tool.

18.5.2 Installing the transmission shafts

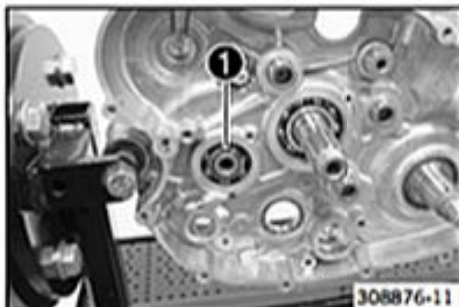


- Lubricate all bearings.
- Slide both transmission shafts into the bearing seats.



Info

Make sure not to misplace the washers.



- Mount lock ring ①.

18.5.3 Installing the shift forks



- Thoroughly oil all parts.
- Shift fork ① has a smaller inside diameter; mount this in the shift groove of the main shaft.
- Mount shift fork ② in the lower shift groove of the countershaft.
- Mount shift fork ③ in the upper shift groove of the countershaft.
- Slide on shift rollers ④.



Info

Fix the shift rollers to the shift forks with grease.



18.5.4 Installing the shift drum



- Push shift drum **1** into the bearing seat.
- Put shift forks **2** in the shift drum.


Info

Do not misplace the shift rollers.

18.5.5 Installing the shift rails

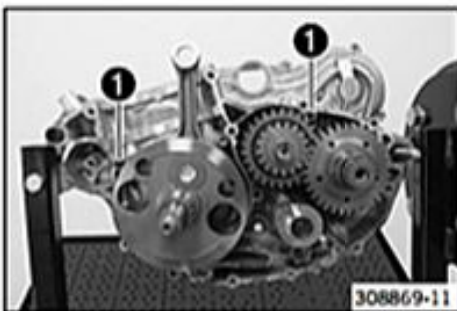


- Install shift rails **1** together with upper springs **2** and lower springs.


Info

Fix the springs in the shift rails with grease.

18.5.6 Installing the left engine case

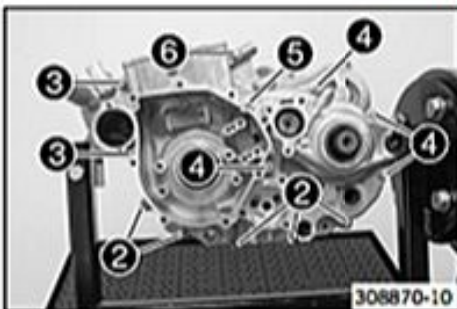


- Mount dowels **1** onto the left section of the engine case.
- Grease the sealing surfaces. Apply the sealing compound to the left section of the engine case.

Loctite® 5910


Info

To prevent sealing compound from entering into the oil channels, dowels **1** must be mounted first.



- Mount the left engine casing. If necessary, strike it lightly with a rubber mallet.


Info

Do not use the screws to pull the two sections of the engine case together.

- Mount screws **2** but do not tighten them yet.

Guideline

Screw, engine case	M6x40	10 Nm (7.4 lbf ft)
--------------------	-------	--------------------

- Mount screws **3** but do not tighten them yet.

Guideline

Screw, engine case	M6x60	10 Nm (7.4 lbf ft)
--------------------	-------	--------------------

- Mount screws **4** but do not tighten them yet.

Guideline

Screw, engine case	M6x75	10 Nm (7.4 lbf ft)
--------------------	-------	--------------------

- Mount screw **5** but do not tighten yet.

Guideline

Screw, engine case	M6x80	10 Nm (7.4 lbf ft)
--------------------	-------	--------------------

- Mount screw **6** and tighten all screws in a crisscross pattern.

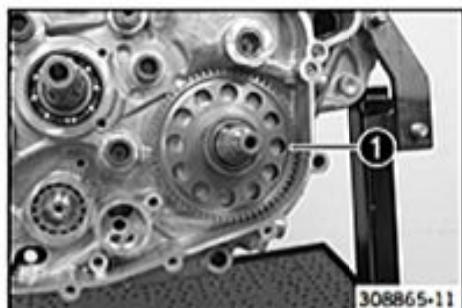
Guideline

Screw, engine case	M6x85	10 Nm (7.4 lbf ft)
--------------------	-------	--------------------



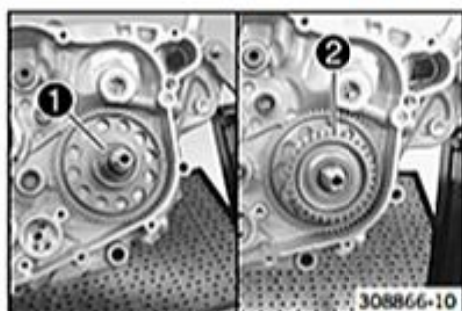
- Mount the O-ring on the countershaft.
- Lightly grease and mount spacer **7**.

18.5.7 Installing the freewheel gear



- Mount freewheel gear **1**.

18.5.8 Installing the primary gear



- Mount woodruff key **1**.
- Degrease the cone and thinly apply thread locker to it.

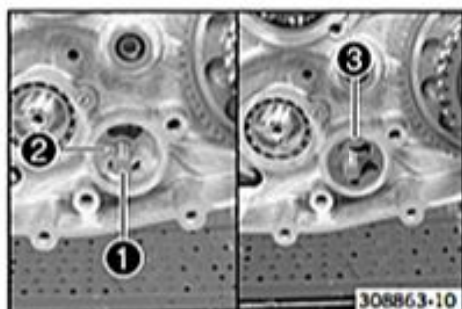
Loctite® 648™

- Mount primary gear **2**.

i Info

Turn the freewheel gear to ease engagement.

18.5.9 Installing the force pump



- Oil the oil pump shaft, internal rotor and external rotor before assembly.

Engine oil (SAE 10W/50) (☞ p. 306)

- Mount oil pump shaft **1**.
- Mount pin **2**. Slide on the internal rotor with the marking facing outward.
- Mount external rotor **3** with the marking facing inward.

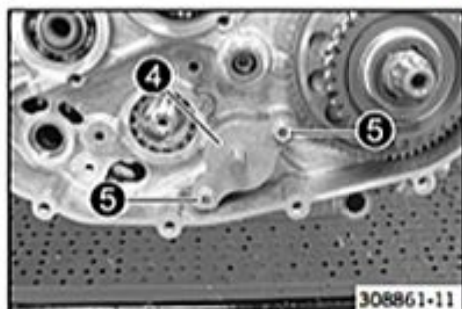
i Info

The marking should not be visible after installation.

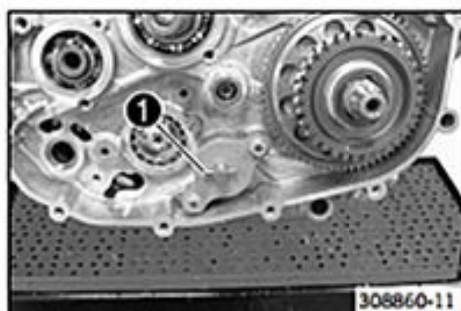
- Position oil pump cover **4**. Mount and tighten screws **5**.

Guideline

Screw, oil pump cover	M6	10 Nm (7.4 lbf ft)	Loctite® 243™
-----------------------	----	-----------------------	---------------



18.5.10 Installing the oil pump gear wheels



- Insert pin ①.

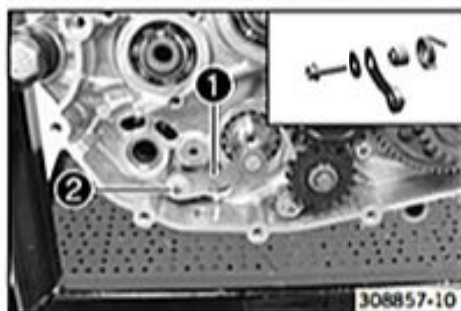


- Position oil pump gear wheel ②.
- Position washers ③.
- Mount lock washer ④.



- Mount oil pump idler gear ⑤.
- Mount washer ⑥ and lock ring ⑦.
- Crank the oil pump gear wheels and ensure that they can move easily.

18.5.11 Installing the locking lever

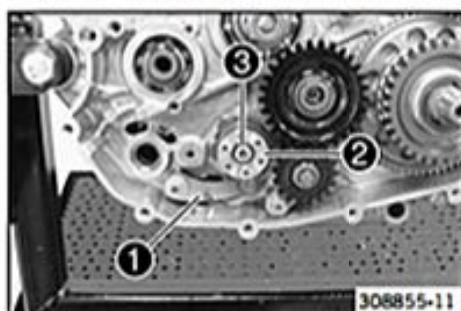


- Mount locking lever ① with the washer, sleeve and spring.
- Mount and tighten screw ②.

Guideline

Screw, locking lever	M5	6 Nm (4,4 lbf ft)	Loctite® 243™
----------------------	----	----------------------	---------------

18.5.12 Installing the shift drum locating unit



- Push away locking lever ① from the shift drum locating unit and position the shift drum locating unit ②.



Info

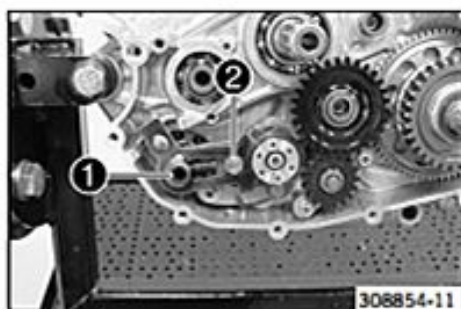
The flat areas of the shift drum locating unit are not symmetric.

- Relieve tension from the locking lever.
- Mount and tighten screw ③.

Guideline

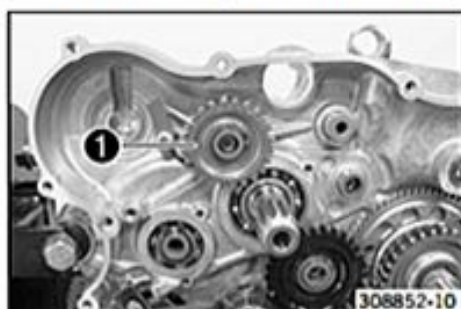
Screw, shift drum locating	M6	10 Nm (7,4 lbf ft)	Loctite® 243™
----------------------------	----	-----------------------	---------------

18.5.13 Installing the shift shaft



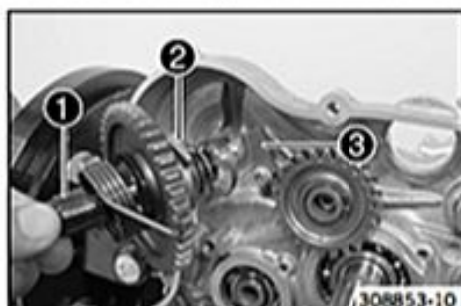
- Slide shift shaft **1** with the washer into the bearing seat.
- Push sliding plate **2** away from the shift drum locating unit. Insert the shift shaft all the way.
- Let sliding plate **2** engage in the shift drum locating unit.
- Shift through the transmission.

18.5.14 Installing the kickstarter idler gear



- Slide on kickstarter idler gear **1** with the collar facing the engine case.
- Slide on the disk. Mount the lock ring.

18.5.15 Installing the kickstarter shaft



- Slide the premounted kickstarter shaft **1** into the bearing seat.

**Info**

The kickstarter ratchet wheel **2** should not be in contact with stop plate **3**.



- Turn kickstarter shaft **1** clockwise all the way.
- Pretension kickstarter spring **4**, and attach and position spring hanger **5**.
- Mount and tighten screw **6**.

Guideline

Screw, kick starter spring hanger	M6	10 Nm (7.4 lbf ft)	Loctite® 243™
-----------------------------------	----	-----------------------	---------------

18.5.16 Installing the starter idler gear



- Slide on starter idler gear **1** with the collar facing the engine case.
- Slide on the disk. Mount the lock ring.

18.5.17 Installing the torque limiter



- Position the washer.
- Slide on torque limiter **1**. Mount and tighten the screw with the washer.

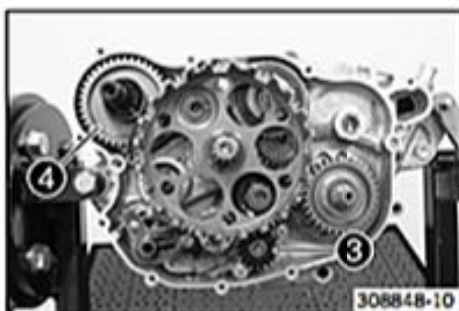
Guideline

Screw, torque governor	M6	10 Nm (7.4 lbf ft)	Loctite® 243™
------------------------	----	-----------------------	---------------

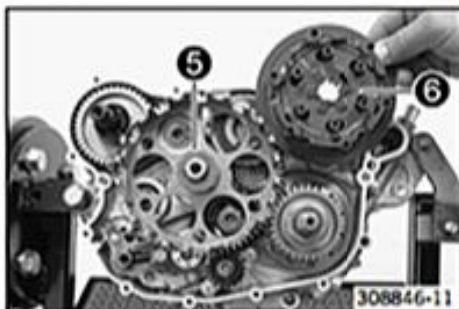
18.5.18 Installing the outer clutch hub



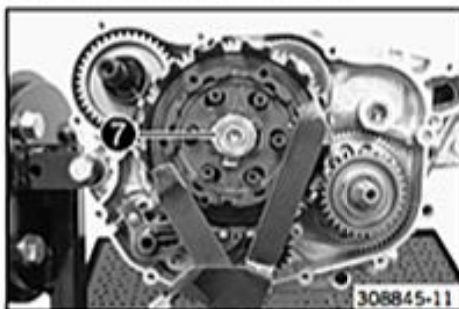
- Mount collar bushing **1** and both needle bearings **2**.



- Slide the outer clutch hub onto the gearbox main shaft. Turn oil pump gear wheel **3** and kick starter gear **4** until the teeth of the outer clutch hub mesh.



- Slide on washer **5** and inner clutch hub **6**.



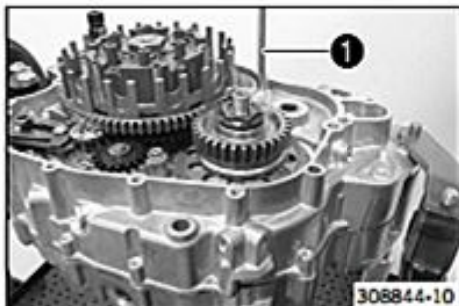
- Position the new lock washer and mount nut **7**. Tighten the nut, holding the inner clutch hub with a special tool.

Guideline

Nut, inner clutch hub	M18x1.5	80 Nm (59 lbf ft)
Clutch holder (51129003000) (☞ p. 311)		

- Secure the nut with the lock washer.

18.5.19 Installing the primary gear nut



- Lock the outer clutch hub and primary gear using special tool **1**.

Gear quadrant (80029004000) (☞ p. 317)

- Mount and tighten the nut.

Guideline

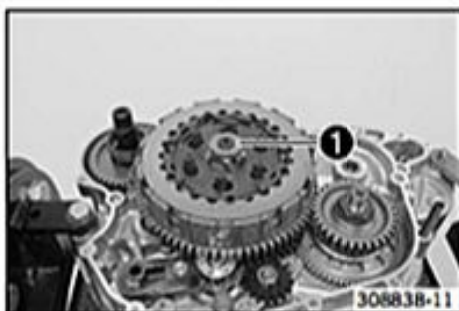
Nut, primary gear	M20LHx1.5	100 Nm (73.8 lbf ft)	Loctite® 648™
-------------------	-----------	-------------------------	---------------



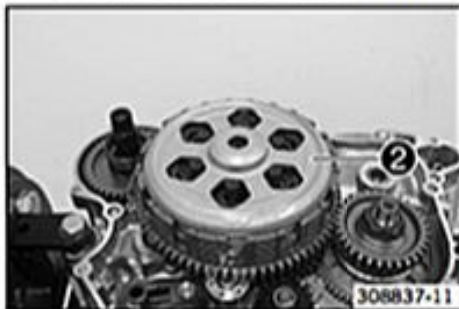
- Position the crankshaft at top dead center (TDC) and block using the special tool.

Locking screw (113080802) (☞ p. 309)

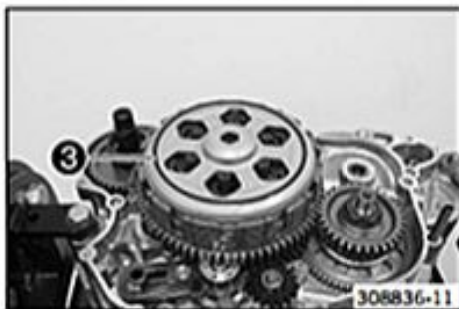
18.5.20 Installing the clutch discs



- Thoroughly oil the clutch facing discs.
- Beginning with an intermediate clutch disc, alternately insert all other clutch facing discs and intermediate clutch discs into the outer clutch hub.
- Mount pressure piece **1**.



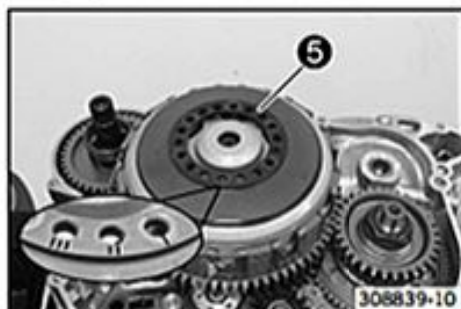
- Position pressure cap **2**.



- Mount pretension ring **3** with the **Top** marking facing up.



- Position spring washer (4).



- Position spring retainer (5) with the I marking.



- Install the screws (6) and tighten them diagonally.

Guideline

Screw, clutch spring retainer	M5	6 Nm (4.4 lbf ft)
-------------------------------	----	-------------------



- Using a straightedge and the special tool, check the spring washer for distortion.

Feeler gauge (59029041100) (☞ p. 312)	
---------------------------------------	--

Spring washer distortion	0... 0.10 mm (0... 0.0039 in)
--------------------------	-------------------------------

- If the specified value is not reached:

- Remove screws (6) and mount spring retainer with marking II.

- Using a straightedge and the special tool, check the spring washer for distortion.

Feeler gauge (59029041100) (☞ p. 312)	
---------------------------------------	--

Spring washer distortion	0... 0.10 mm (0... 0.0039 in)
--------------------------	-------------------------------

- If the specified value is not reached:

- Remove screws (6) and mount spring retainer with marking III.

- Using a straightedge and the special tool, check the spring washer for distortion.

Feeler gauge (59029041100) (☞ p. 312)	
---------------------------------------	--

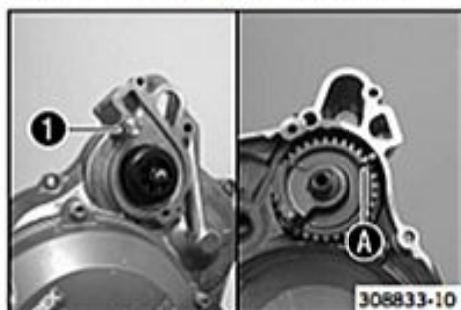
Spring washer distortion	0... 0.10 mm (0... 0.0039 in)
--------------------------	-------------------------------

- If the specified value is not reached:

- Change the clutch facing discs.



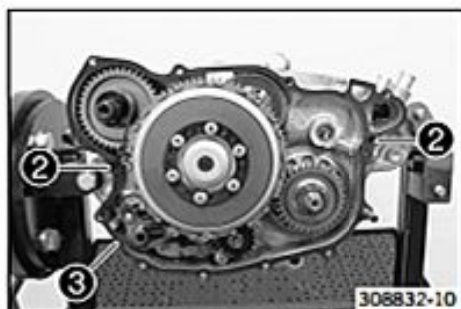
18.5.21 Installing the clutch cover



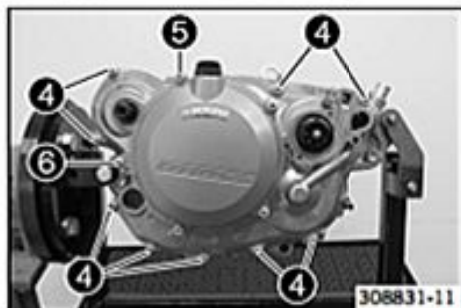
- Position the balancer shaft with special tool (1).

Fixing drift (78129032000) (☞ p. 317)

- ✓ Marking (A) and the special tool are aligned.



- Mount dowels **2**. Put the new clutch cover gasket **3** in place.



- Mount the clutch cover.
- Mount screws **4** and tighten once all of the clutch cover screws have been mounted.

Guideline

Screw, clutch cover	M6x25	10 Nm (7.4 lbf ft)
---------------------	-------	--------------------

- Mount screw **5** and tighten once all of the clutch cover screws have been mounted.

Guideline

Screw, clutch cover	M6x55	10 Nm (7.4 lbf ft)
---------------------	-------	--------------------

- Mount screw **6** and tighten all screws in a crisscross pattern.

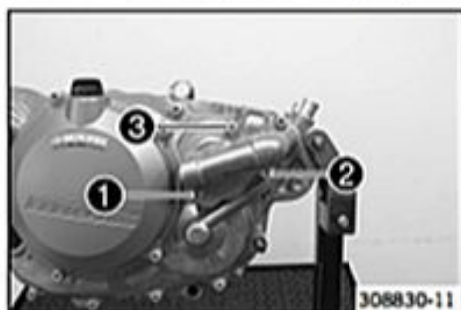
Guideline

Screw, clutch cover	M6x30	10 Nm (7.4 lbf ft)
---------------------	-------	--------------------

- Remove the special tool.

Fixing drift (78129032000) (← p. 317)

18.5.22 Installing the water pump cover



- Put the water pump cover seal in place.
- Mount the water pump cover. Mount screw **1** with the sealing washer but do not tighten yet.

Guideline

Screw, water pump cover	M6x25	10 Nm (7.4 lbf ft)
-------------------------	-------	--------------------

- Mount screw **2** but do not tighten yet.

Guideline

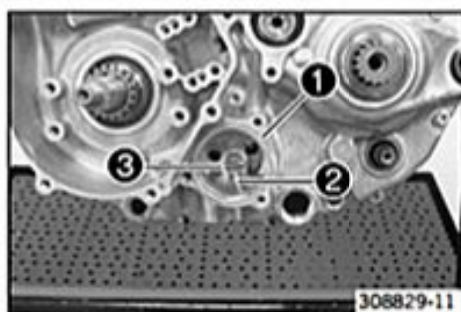
Screw, water pump cover	M6x25	10 Nm (7.4 lbf ft)
-------------------------	-------	--------------------

- Mount screw **3** and tighten all screws in a crisscross pattern.

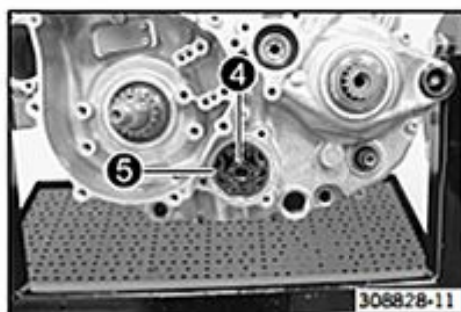
Guideline

Screw, water pump cover	M6x55	10 Nm (7.4 lbf ft)
-------------------------	-------	--------------------

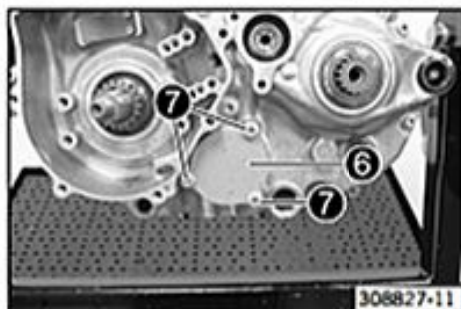
18.5.23 Installing the suction pump



- Oil the internal rotor and external rotor before mounting.
- Insert O-ring **1**.
- Position pin **2** into the oil pump shaft from above.
- Position pin **3**.



- Mount internal rotor 4 and external rotor 5.
- ✓ The rounded sides of the external rotor face the engine case.



- Position oil pump cover 6. Mount and tighten screws 7.

Guideline

Screw, oil pump cover	M5	6 Nm (4.4 lbf ft)	Loctite® 243™
-----------------------	----	----------------------	---------------

18.5.24 Installing the ignition pulse generator



- Position the ignition pulse generator.



Info
Use the outer drill hole pair.

- Mount and tighten screws 1.

Guideline

Screw, ignition pulse generator	M5	6 Nm (4.4 lbf ft)	Loctite® 243™
---------------------------------	----	----------------------	---------------

- Position the cable and insert the cable sleeve into the engine case.

18.5.25 Installing the timing chain

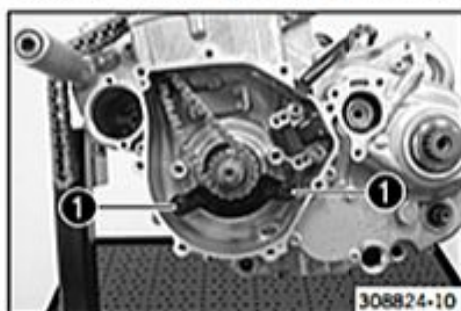


- Thread in the timing chain and place it over the timing chain sprocket.



Info
If the timing chain was used before, ensure it is running in the correct direction.

18.5.26 Installing the timing chain securing guide



- Position the timing chain securing guide. Mount and tighten screws 1.

Guideline

Screw, timing chain securing guide	M6	10 Nm (7.4 lbf ft)	Loctite® 243™
------------------------------------	----	-----------------------	---------------

18.5.27 Installing the timing chain tensioning rail



- Thread in the timing chain tensioning rail from the top. Mount and tighten screw ①.

Guideline

Screw, timing chain tensioning rail	M6	10 Nm (7.4 lbf ft)	Loctite® 243™
-------------------------------------	----	-----------------------	---------------

18.5.28 Installing the timing chain guide rail



- Slip in the timing chain guide rail ① from above. Mount and tighten screw ②.

Guideline

Screw, timing chain guide rail	M6	10 Nm (7.4 lbf ft)	Loctite® 243™
--------------------------------	----	-----------------------	---------------

18.5.29 Installing the rotor



- Mount the woodruff key.
- Mount the rotor.
- Mount the spring washer and nut. Tighten the nut.

Guideline

Nut, rotor	M12x1	60 Nm (44.3 lbf ft)
------------	-------	------------------------

18.5.30 Installing the piston

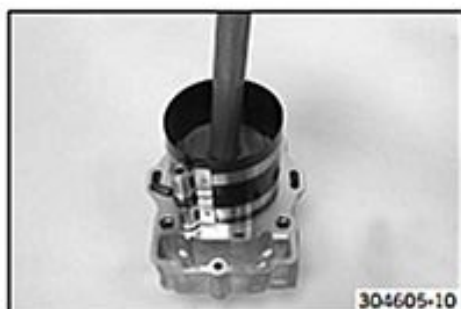


- Move the joints of the compression ring and oil scraper ring so they are offset by 180°.
- Place the oiled piston on the cylinder. Compress the piston rings using the special tool.

Piston ring mounting tool (60029015000) (☞ p. 312)



- Tap lightly on the piston ring mounting tool from above with a plastic hammer so that it lies flush with the cylinder.
- ✓ The special tool must press the piston rings together properly and lie flush with the cylinder.



- Carefully tap the piston into the cylinder using the handle of the hammer.
✓ The piston rings should not catch or they will be damaged.



- Mount dowels ① and put cylinder base gasket ② in place.



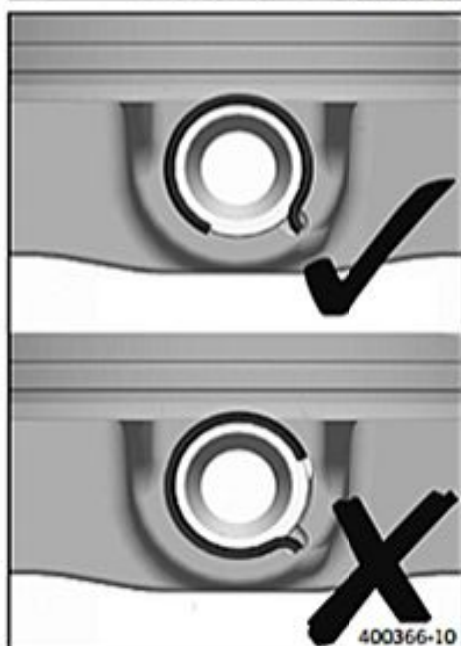
- Ensure that piston mark ③ faces toward the exhaust side.



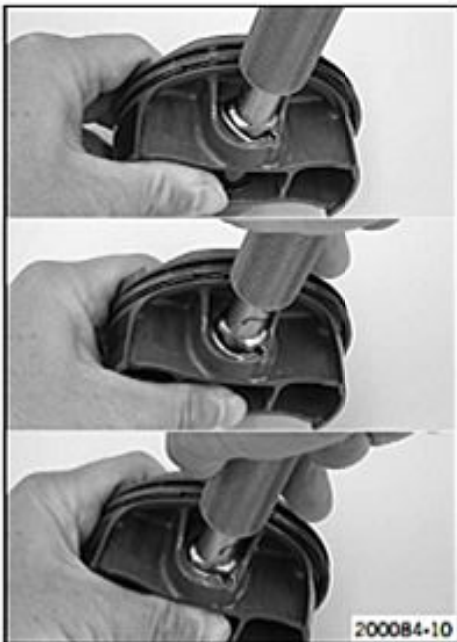
- Cover the engine case opening with a cloth. Thread the timing chain through the chain shaft. Mount the piston pin.

**Info**

In order to present them more clearly, the following steps are shown with a removed piston.



- Position the piston pin retainer.



200084-10

- Insert the special tool and press it forcefully to the piston.
- Turn the special tool counterclockwise, thereby pushing the piston pin retainer into the groove.

Insert for piston pin retainer (77329030100) (☛ p. 315)

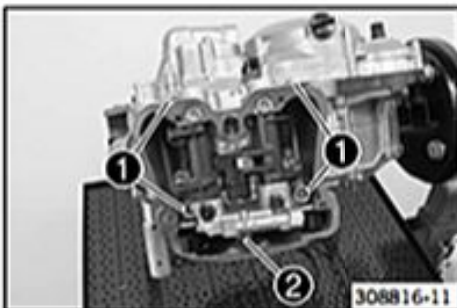
- Ensure that the piston pin retainer is seated properly on both sides.



308817-11

- Remove the cloth. Keep the timing chain taut.
- Carefully push the cylinder downward, letting the dowels engage.

18.5.31 Installing the cylinder head



308816-11

- Mount the dowels. Put the new cylinder head gasket in place.
- Put the cylinder head in place.
- Put on the cylinder head bolt washers.
- Mount cylinder head bolts ① and tighten in a crisscross pattern.

Guideline

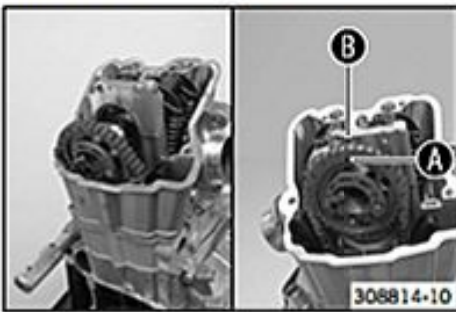
Screw, cylinder head	M10x1.25	Tightening sequence: Tighten diagonally, beginning with the rear screw on the timing chain shaft. Step 1 10 Nm (7.4 lbf ft) Step 2 30 Nm (22.1 lbf ft) Step 3 50 Nm (36.9 lbf ft)	Lubricated with engine oil
----------------------	----------	---	----------------------------

- Mount and tighten screw ②.

Guideline

Screw, cylinder head	M6	10 Nm (7.4 lbf ft)
----------------------	----	--------------------

18.5.32 Installing the camshaft



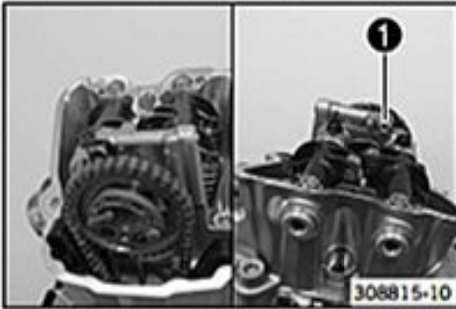
- Place the timing chain over the camshaft gear. Push the camshaft into the bearing seats.

✓ The markings **A** on the camshaft and **B** of the cylinder head are lined up with each other.



Info

Make sure that the crankshaft is at top dead center.

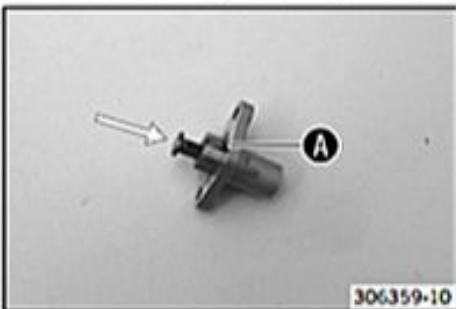


- Position the camshaft support plate. Mount and tighten screw **1**.

Guideline

Screw, camshaft bearing support	M6	10 Nm (7.4 lbf ft)	Loctite® 243™
---------------------------------	----	--------------------	---------------

18.5.33 Installing the timing chain tensioner



- Activate release **A** and push the timing chain tensioner all the way back.

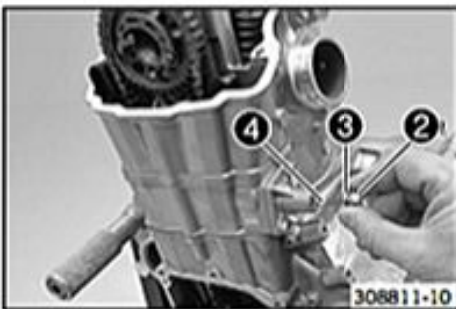


- Position the timing chain tensioner with the gasket.

- Mount and tighten screws **1**.

Guideline

Screw, timing chain tensioner	M6	10 Nm (7.4 lbf ft)
-------------------------------	----	--------------------



- Mount and tighten screw plug **2** with washer **3** and spring **4**.

Guideline

Plug, timing chain tensioner	M8x1	8 Nm (5.9 lbf ft)
------------------------------	------	-------------------

18.5.34 Checking the valve clearance



308806-11



308807-10



308805-11

- Remove special tool ①.

Locking screw (113080802) (☞ p. 309)

- Crank over the engine repeatedly.
- Position the engine at ignition top dead center. (☞ p. 145)

- Check the valve clearance at all valves between the valve and rocker arm.
Guideline

Valve clearance	
Exhaust at: 20 °C (68 °F)	0.12... 0.17 mm (0.0047... 0.0067 in)
Intake at: 20 °C (68 °F)	0.10... 0.15 mm (0.0039... 0.0059 in)

Feeler gauge (59029041100) (☞ p. 312)

- If the valve clearance does not meet specifications:
 - Adjust the valve clearance. (☞ p. 198)

- Remove the special tool.

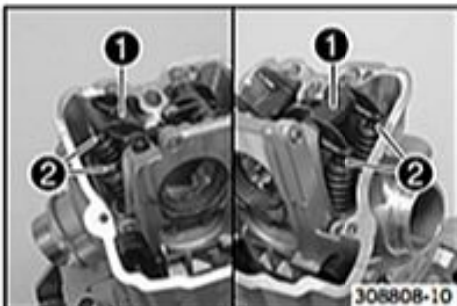
Locking screw (113080802) (☞ p. 309)

- Mount and tighten screw ②.

Guideline

Plug, crankshaft location	M8	10 Nm (7.4 lbf ft)
---------------------------	----	--------------------

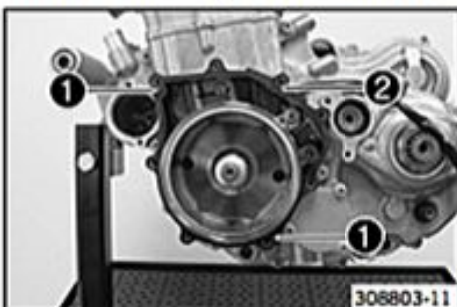
18.5.35 Adjusting the valve clearance



308808-10

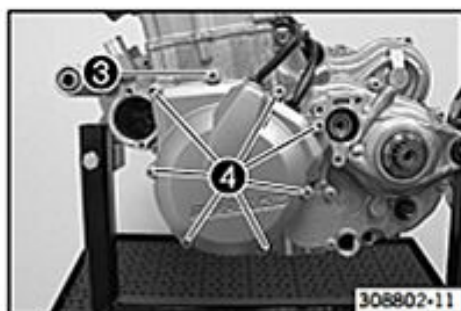
- Remove the timing chain tensioner. (☞ p. 146)
- Remove the camshaft. (☞ p. 146)
- Raise rocker arm ① on the outside.
- Remove shims ② and set down in the position in which they were installed.
- Correct the shims according to the findings from checking the valve clearance.
- Insert suitable shims.
- Install the camshaft. (☞ p. 197)
- Install the timing chain tensioner. (☞ p. 197)
- Check the valve clearance. (☞ p. 198)

18.5.36 Installing the alternator cover



308803-11

- Mount locating pins ①. Position alternator cover gasket ②.



- Position the alternator cover. Mount screws ③ with washer and tighten after all of the alternator cover screws have been mounted.

Guideline

Screw, alternator cover	M6x25	10 Nm (7.4 lbf ft)
-------------------------	-------	--------------------

- Mount screws ④ and tighten all screws in a crisscross pattern.

Guideline

Screw, alternator cover	M6x25	10 Nm (7.4 lbf ft)
-------------------------	-------	--------------------

18.5.37 Installing the valve cover



- Position the valve cover seal.
- Position the valve cover. Mount and tighten screws ①.

Guideline

Screw, valve cover	M6	10 Nm (7.4 lbf ft)
--------------------	----	--------------------

18.5.38 Installing the spark plug



- Mount and tighten the spark plug with the special tool.

Guideline

Spark plug	M12x1.25	15... 20 Nm (11.1... 14.8 lbf ft)
------------	----------	---

Spark plug wrench (75029172000) (☛ p. 315)

18.5.39 Installing the kickstarter



- Position the kickstarter. Mount and tighten screw ①.

Guideline

Screw, kick starter	M8	25 Nm (18.4 lbf ft)	Loctite® 2701™
---------------------	----	------------------------	----------------

18.5.40 Installing the starter motor



- Grease the O-ring. Position the starter motor.

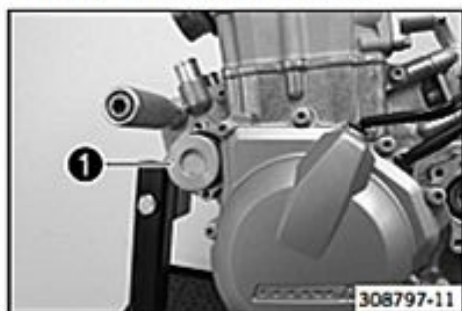
Long-life grease (☛ p. 307)

- Mount and tighten screws ①.

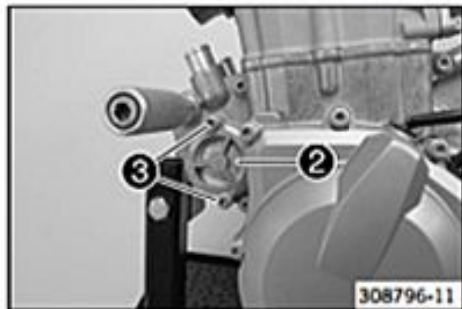
Guideline

Screw, starter motor	M6	10 Nm (7.4 lbf ft)
----------------------	----	--------------------

18.5.41 Installing the oil filter



- Tilt the motorcycle to one side and fill the oil filter housing to about 1/3 full with engine oil.
- Insert oil filter **1** into the oil filter housing.



- Oil the O-ring of the oil filter cover.
- Mount oil filter cover **2**.
- Mount and tighten screws **3**.

Guideline

Screw, oil filter cover	M5	6 Nm (4.4 lbf ft)
-------------------------	----	-------------------

18.5.42 Installing the clutch push rod



- Mount clutch push rod **1**.

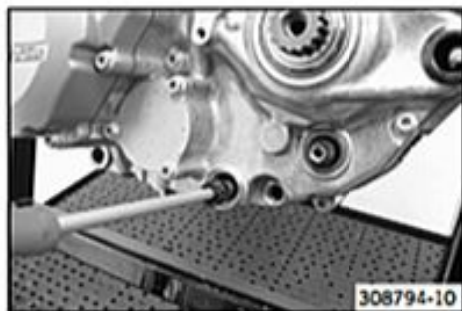
18.5.43 Installing the oil screen



- Mount and tighten engine oil screen plug **1** with the O-ring.

Guideline

Screw plug, engine oil screen	M20x1.5	15 Nm (11.1 lbf ft)
-------------------------------	---------	------------------------



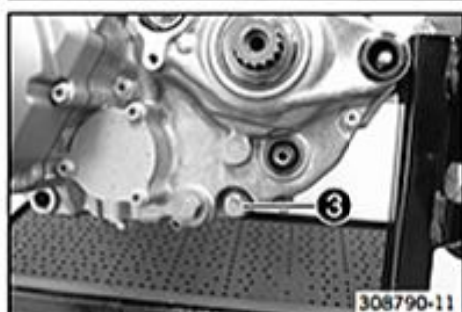
- Push the oil screen with O-rings onto a pin wrench.
- Push the pin wrench through the opening into the drill hole of the opposite engine case wall and push the oil screen as far as possible into the engine case.



- Mount and tighten engine oil screen plug ② with the O-ring.

Guideline

Screw plug, engine oil screen	M20x1.5	15 Nm (11.1 lbf ft)
-------------------------------	---------	------------------------



- Mount and tighten the oil drain plug ③ with the magnet and the new seal ring.

Guideline

Oil drain plug with magnet	M12x1.5	20 Nm (14.8 lbf ft)
----------------------------	---------	------------------------

18.5.44 Removing the engine from the engine assembly stand



- Mount the kick starter.
- Remove the screw connection from the special tool.

Engine bracket (78029002000) (☛ p. 316)

- Remove the engine from the engine assembly stand.



Info

Have an assistant help you or use a motorized hoist.

19.1 Checking/correcting the fluid level of the hydraulic clutch


Info

The fluid level rises with increased wear of the clutch lining discs.



- Move the clutch fluid reservoir mounted on the handlebar to a horizontal position.
- Remove screws ①.
- Remove cover ② with membrane ③.
- Check the fluid level.

Fluid level below container rim	4 mm (0.16 in)
---------------------------------	----------------

- If the fluid level does not meet specifications:
 - Correct the fluid level of the hydraulic clutch.

Brake fluid DOT 4 / DOT 5.1 (☞ p. 306)
--

- Position the cover with the membrane. Mount and tighten the screws.


Info

Clean up overflowed or spilt brake fluid immediately with water.

19.2 Changing the hydraulic clutch fluid


Warning

Environmental hazard Hazardous substances cause environmental damage.

- Oil, grease, filters, fuel, cleaners, brake fluid, etc., should be disposed of as stipulated in applicable regulations.



- Move the clutch fluid reservoir mounted on the handlebar to a horizontal position.
- Remove screws ①.
- Remove cover ② with membrane ③.



- Fill bleeding syringe ④ with the appropriate hydraulic fluid.

Bleed syringe (50329050000) (☞ p. 310)
--

Brake fluid DOT 4 / DOT 5.1 (☞ p. 306)
--

- On the slave cylinder of the clutch, remove bleeder screw ⑤ and mount bleeding syringe ④.



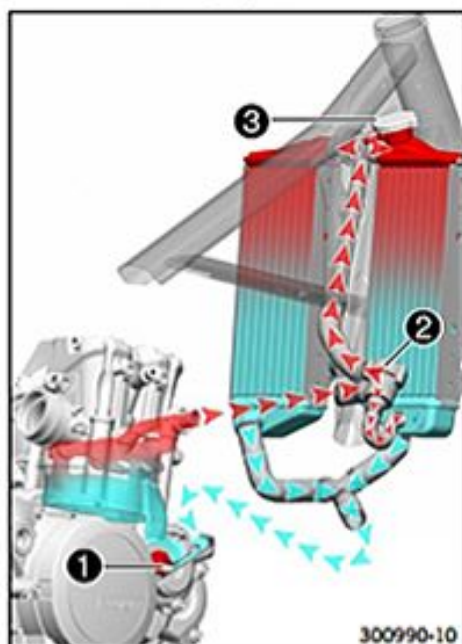
- Inject the liquid into the system until it escapes from openings ⑥ of the master cylinder without bubbles.
- To prevent overflow, drain fluid occasionally from the master cylinder reservoir.
- Remove the bleeding syringe. Mount and tighten screws bleeder screw.
- Correct the fluid level of the hydraulic clutch.

Guideline

Fluid level below container rim	4 mm (0.16 in)
---------------------------------	----------------

- Position the cover with the membrane. Mount and tighten the screws.

20.1 Cooling system



Water pump **1** in the engine circulates the coolant.

The water flow through the radiator is controlled as a function of the coolant temperature. The cooling system is divided into two circuits. In the warming-up phase of the engine, the coolant flows through the small cooling circuit. This heats up the engine quickly. The thermostat **2** warms up and opens the opening to the radiator (large cooling circuit). This keeps the engine temperature constant.

The pressure resulting from the warming of the cooling system is regulated by a valve in radiator cap **3**. This ensures that operating the vehicle at the specified coolant temperature will not result in a risk of malfunctions.

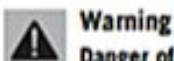
120 °C (248 °F)

Cooling is effected by the air stream.

The lower the speed, the less the cooling effect. Dirty cooling fins also reduce the cooling effect.

The radiator fan provides extra cooling. It is controlled by a thermostwitch.

20.2 Checking the antifreeze and coolant level

**Warning**

Danger of scalding During motorcycle operation, the coolant gets very hot and is under pressure.

- Do not remove the radiator cap, radiator hoses or other cooling system components when the engine is hot. Allow the engine and cooling system to cool down. In case of scalding, rinse immediately with lukewarm water.

**Warning**

Danger of poisoning Coolant is poisonous and a health hazard.

- Coolant must not come into contact with the skin, eyes, or clothing. If contact occurs with the eyes, rinse with water immediately and contact a physician. Immediately clean contaminated areas on the skin with soap and water. If fuel is swallowed, contact a physician immediately. Change clothing that is contaminated with coolant. Keep coolant out of reach of children.

Condition

The engine is cold.

- Stand the motorcycle upright on a horizontal surface.
- Remove the radiator cap.
- Check antifreeze of coolant.

-25... -45 °C (-13... -49 °F)

- If the antifreeze of the coolant does not meet specifications:

- Correct the antifreeze of the coolant.

- Check the coolant level in the radiator.

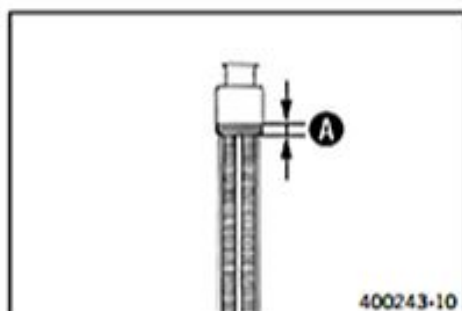
Coolant level **A** above radiator fins. 10 mm (0.39 in)

- If the coolant level does not meet specifications:

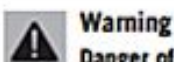
- Correct the coolant level.

Coolant (☛ p. 306)

- Mount the radiator cap.



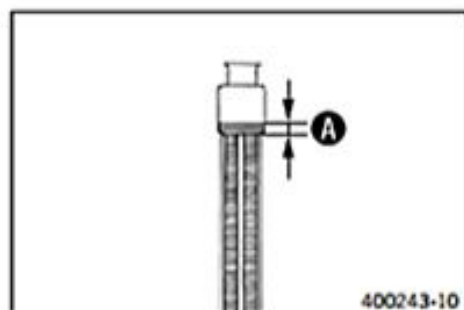
20.3 Checking the coolant level

**Warning****Danger of scalding** During motorcycle operation, the coolant gets very hot and is under pressure.

- Do not remove the radiator cap, radiator hoses or other cooling system components when the engine is hot. Allow the engine and cooling system to cool down. In case of scalding, rinse immediately with lukewarm water.

**Warning****Danger of poisoning** Coolant is poisonous and a health hazard.

- Coolant must not come into contact with the skin, eyes, or clothing. If contact occurs with the eyes, rinse with water immediately and contact a physician. Immediately clean contaminated areas on the skin with soap and water. If fuel is swallowed, contact a physician immediately. Change clothing that is contaminated with coolant. Keep coolant out of reach of children.

**Condition**

The engine is cold.

- Stand the motorcycle upright on a horizontal surface.
- Remove the radiator cap.
- Check the coolant level in the radiator.

Coolant level A above radiator fins.	10 mm (0.39 in)
---	-----------------

- If the coolant level does not meet specifications:
 - Correct the coolant level.

Coolant (☛ p. 306)

- Mount the radiator cap.

20.4 Draining the coolant

**Warning****Danger of scalding** During motorcycle operation, the coolant gets very hot and is under pressure.

- Do not remove the radiator cap, radiator hoses or other cooling system components when the engine is hot. Allow the engine and cooling system to cool down. In case of scalding, rinse immediately with lukewarm water.

**Warning****Danger of poisoning** Coolant is poisonous and a health hazard.

- Coolant must not come into contact with the skin, eyes, or clothing. If contact occurs with the eyes, rinse with water immediately and contact a physician. Immediately clean contaminated areas on the skin with soap and water. If fuel is swallowed, contact a physician immediately. Change clothing that is contaminated with coolant. Keep coolant out of reach of children.

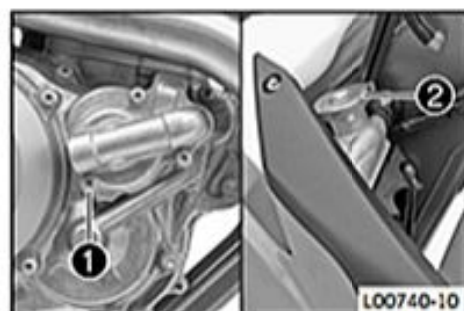
Condition

The engine is cold.

- Position the motorcycle upright.
- Place a suitable container under the water pump cover.
- Remove screw **1**. Take off radiator cap **2**.
- Completely drain the coolant.
- Mount and tighten screw **1** with a new seal ring.

Guideline

Screw, water pump cover	M6x25	10 Nm (7.4 lbf ft)
-------------------------	-------	--------------------

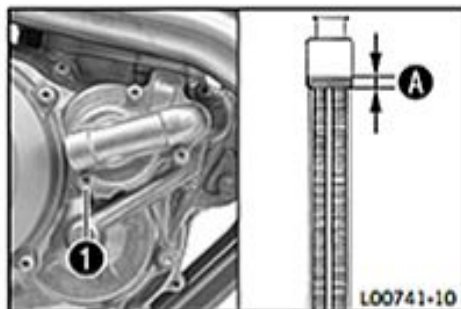


20.5 Refilling coolant

Warning

Danger of poisoning Coolant is poisonous and a health hazard.

- Coolant must not come into contact with the skin, eyes, or clothing. If contact occurs with the eyes, rinse with water immediately and contact a physician. Immediately clean contaminated areas on the skin with soap and water. If fuel is swallowed, contact a physician immediately. Change clothing that is contaminated with coolant. Keep coolant out of reach of children.

**Main work**

- Make sure that the screw **1** is tightened.
- Stand the vehicle upright.
- Pour coolant in up to measurement **A** above the radiator fins.

Guideline

10 mm (0.39 in)

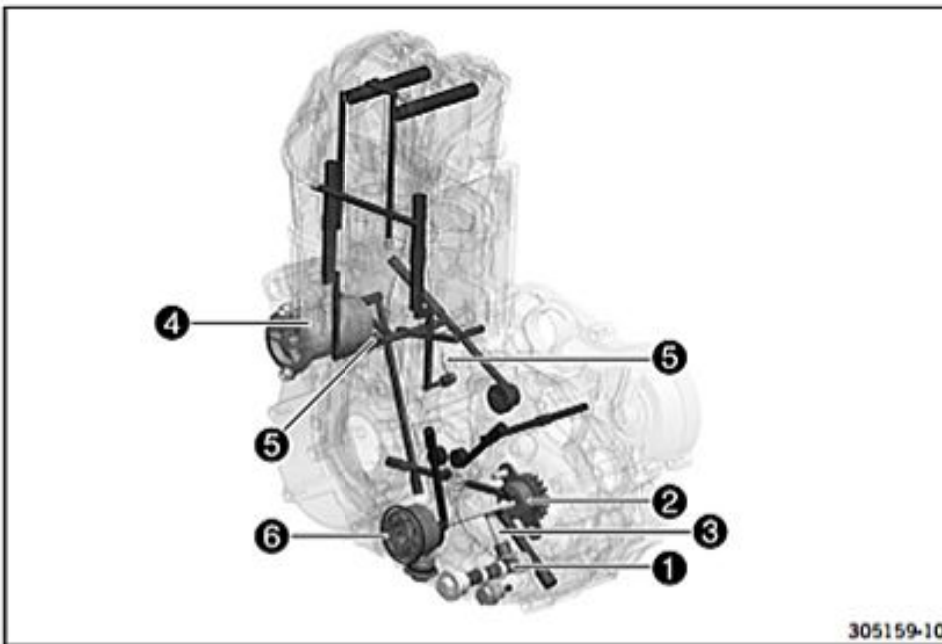
Coolant	1.2 l (1.3 qt.)	Coolant (☞ p. 306)
---------	-----------------	--------------------

- Refit the radiator cap.

Finishing work

- Take a short test ride.
- Check the coolant level. (☞ p. 204)

21.1 Oil circuit



1	Engine oil screen
2	Force pump
3	Oil pressure regulator valve
4	Oil filter
5	Oil nozzle, piston cooling
6	Suction pump

21.2 Checking the engine oil level

Condition

The engine is at operating temperature.

Preparatory work

- Stand the motorcycle upright on a horizontal surface.

Main work

- Check the engine oil level.



Info

After switching off the engine, wait one minute before checking the level.

The engine oil level is between **A** and **B**.

- When the engine oil level is below the **A** marking:
 - Add engine oil. (☛ p. 209)
- When the engine oil level is at or above the **B** marking:
 - Correct the engine oil level.

21.3 Changing the engine oil and oil filter, cleaning the oil screens



Warning

Danger of scalding Engine oil and gear oil get very hot when the motorcycle is ridden.

- Wear appropriate protective clothing and safety gloves. In case of burns, rinse immediately with lukewarm water.



Warning

Environmental hazard Hazardous substances cause environmental damage.

- Oil, grease, filters, fuel, cleaners, brake fluid, etc., should be disposed of as stipulated in applicable regulations.

**Info**

Drain the engine oil only when the engine is warm.

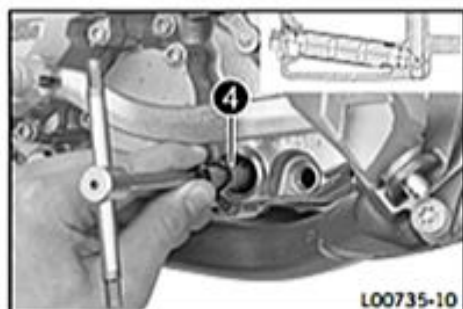
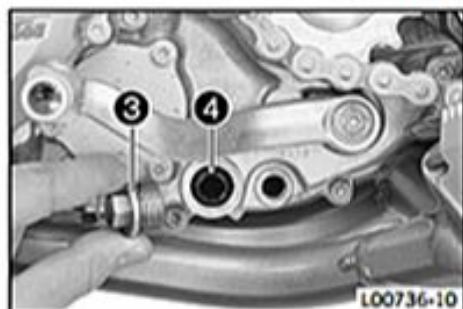
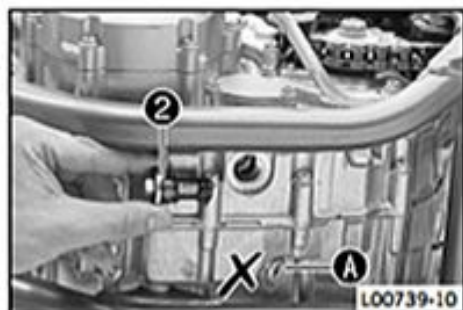
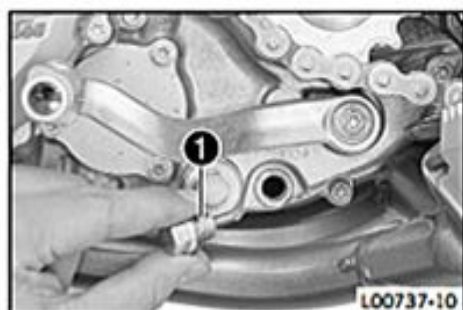
Preparatory work

(EXC SIX DAYS, EXC AUS)

- Remove the engine guard. (☛ p. 59)
- Park the motorcycle on a level surface.

Main work

- Place a suitable container under the engine.
- Remove oil drain plug ❶ with the magnet and seal ring.



- Remove screw plug ❷ with the gear oil screen and the O-rings.

**Info**

Do not remove screw ❸.

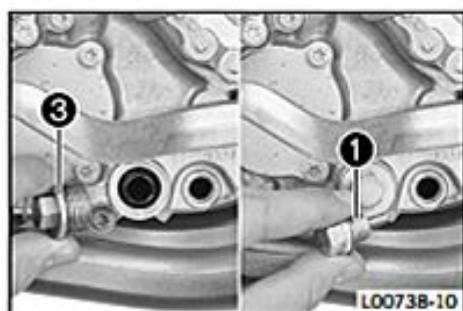
- Remove screw plug ❸ with engine oil screen ❹ and the O-rings.
- Completely drain the engine oil.
- Thoroughly clean the parts and sealing surfaces.

- Mount and tighten screw plug ❷ with the gear oil screen and the O-rings.

Guideline

Screw plug, gear oil screen	M20x1.5	15 Nm (11.1 lbf ft)
-----------------------------	---------	------------------------

- Push the engine oil screen ❹ with the O-rings onto a pin wrench.
- Push the pin wrench through the opening into the drill hole of the opposite engine case wall and push the oil screen as far as possible into the engine case.



- Mount and tighten screw plug ③ with the O-ring.

Guideline

Screw plug, engine oil screen	M20x1.5	15 Nm (11.1 lbf ft)
-------------------------------	---------	------------------------

- Mount and tighten the oil drain plug ① with the magnet and a new seal ring.

Guideline

Oil drain plug with magnet	M12x1.5	20 Nm (14.8 lbf ft)
----------------------------	---------	------------------------



- Remove screws ⑤. Remove the oil filter cover with the O-ring.



- Pull oil filter ⑥ out of the oil filter housing.

Circlip pliers reverse (51012011000) (☞ p. 310)

- Completely drain the engine oil.
- Thoroughly clean the parts and sealing area.



- Lay the motorcycle on its side and fill the oil filter housing to about 1/3 full with engine oil.
- Insert the oil filter into the oil filter housing.
- Oil the O-ring of the oil filter cover and mount it with the oil filter cover ⑦.
- Mount and tighten the screws.

Guideline

Screw, oil filter cover	M5	6 Nm (4.4 lbf ft)
-------------------------	----	-------------------

- Stand the motorcycle upright.



- Remove the oil filler plug ⑧ with the O-ring from the clutch cover and fill up with engine oil.

Engine oil	1.50 l (1.59 qt.)	Engine oil (SAE 10W/50) (☞ p. 306)
------------	-------------------	------------------------------------

Info

Too little engine oil or poor-quality engine oil results in premature wear to the engine.

- Install and tighten the oil filler plug with O-ring.

Danger

Danger of poisoning Exhaust gases are toxic and inhaling them may result in unconsciousness and/or death.

- When running the engine, always make sure there is sufficient ventilation, and do not start or run the engine in an enclosed space without an effective exhaust extraction system.

- Start the engine and check that it is oil-tight.

Finishing work

(EXC SIX DAYS, EXC AUS)

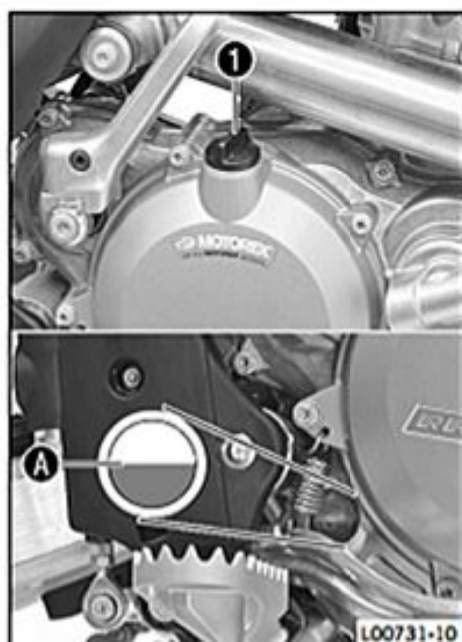
- Install the engine guard. (☞ p. 59)
- Check the engine oil level. (☞ p. 206)

21.4 Adding engine oil



Info

Too little engine oil or poor-quality engine oil results in premature wear to the engine.



Main work

- Remove the oil filler plug ① with the O-ring from the clutch cover.
- Fill engine oil to the middle A of the level viewer.

Engine oil (SAE 10W/50) (☛ p. 306)



Info

For optimal performance of the engine oil, do not mix different types of engine oil.

If appropriate, change the engine oil.

- Install and tighten the oil filler plug with O-ring.



Danger

Danger of poisoning Exhaust gases are toxic and inhaling them may result in unconsciousness and/or death.

- When running the engine, always make sure there is sufficient ventilation, and do not start or run the engine in an enclosed space without an effective exhaust extraction system.

- Start the engine and check that it is oil-tight.

Finishing work

- Check the engine oil level. (☛ p. 206)

21.5 Checking the engine oil pressure



Main work

- Place a suitable container under the engine.
- Remove screws ①. Take off the oil filter cover with the O-ring.
- Remove the oil filter.

Circlip pliers reverse (51012011000) (☛ p. 310)

- Position special tool ② with the O-ring. Mount and tighten screws.

Guideline

Screw, oil filter cover	M5	6 Nm (4.4 lbf ft)
-------------------------	----	-------------------

Oil pressure adapter (75029094000) (☛ p. 315)

- Connect the pressure tester to the special tool without the T-plate.

Pressure testing tool (61029094000) (☛ p. 313)

- Check the engine oil level. (☛ p. 206)



Danger

Danger of poisoning Exhaust gases are toxic and inhaling them may result in unconsciousness and/or death.

- When running the engine, always make sure there is sufficient ventilation, and do not start or run the engine in an enclosed space without an effective exhaust extraction system.

- Start the engine and let it warm up.

- Check the engine oil pressure.

Engine oil pressure

Engine oil temperature: 80 °C (176 °F) Engine speed: 1,600 rpm	0.9 bar (13 psi)
Engine oil temperature: 80 °C (176 °F) Engine speed: 6,000 rpm	2.5 bar (36 psi)

- If the measured value is less than the specification:
 - Check the oil pumps for wear. Check all oil channels for free flow.
- Switch off the engine.

**Warning**

Danger of burns Some vehicle components get very hot when the machine is driven.

- Wear appropriate protective clothing and safety gloves. In case of burns, rinse immediately with lukewarm water.
-
- Remove the special tools.
 - Insert the oil filter into the oil filter housing.
 - Grease the O-ring of the oil filter cover. Mount the oil filter cover.
 - Mount and tighten screws.

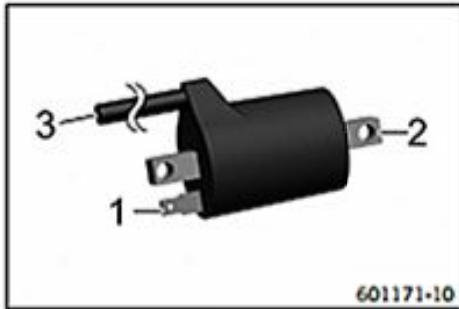
Guideline

Screw, oil filter cover	M5	6 Nm (4.4 lbf ft)
-------------------------	----	-------------------

Finishing work

- Check the engine oil level. (☛ p. 206)

22.1 Ignition coil - checking the secondary winding



Condition

Ignition coil cylinder 1 is disconnected.
Spark plug connector cylinder 1 has been removed.

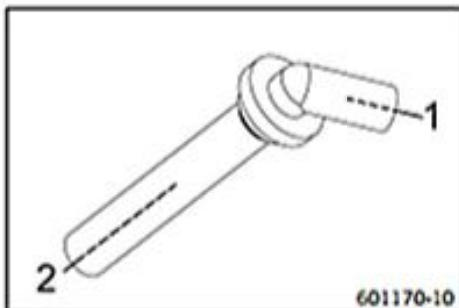
Ignition coil cylinder 1 - check the secondary winding resistance

- Ω Measure the resistance between the specified points.
Ignition coil cylinder 1 pin 2 (→) – Ignition coil cylinder 1 pin 3

Ignition coil	
Secondary winding resistance at: 20 °C (68 °F)	10.8... 16.2 k Ω

- If the displayed value does not correspond to specifications:
 - Change the ignition coil.

22.2 Checking the spark plug connector



Condition

Spark plug connector cylinder 1 has been removed.

- Ω Measure the resistance between the specified points.
Measuring point 1 – Measuring point 2

Spark plug connector	
Resistance at: 20 °C (68 °F)	3.75... 6.25 k Ω

- If the specification is not reached:
 - Change the spark plug connector.

22.3 Alternator - checking the stator winding

Condition

The stator is disconnected.

Preparatory work

- Remove the seat. (☛ p. 89)



Main work

Stator winding, measurement I - check the resistance

- Ω Measure the resistance between the specified points.
Stator, connector EZ pin 1 – Stator, connector EZ pin 2

Alternator	
Resistance of stator winding at: 20 °C (68 °F)	0.368... 0.552 Ω

- If the value displayed does not meet specifications:
 - Change the stator.

Stator winding, measurement II - check the resistance

- Ω Measure the resistance between the specified points.
Stator, connector EZ pin 1 – Stator, connector EZ pin 3

Alternator	
Resistance of stator winding at: 20 °C (68 °F)	0.368... 0.552 Ω

- If the value displayed does not meet specifications:
 - Change the stator.



Stator winding - check for a short circuit to ground (terminal 31)

- Ω Measure the resistance between the specified points.
Stator, connector EZ pin 1 – Measuring point Ground (-)

Resistance	$\infty \Omega$
------------	-----------------

- If the value displayed does not meet specifications:
 - Change the stator.

22.4 Removing the stator

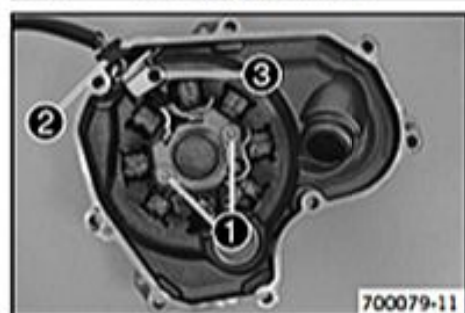
Condition

The alternator cover has been removed.



- Remove screw ① and take off the cable holder.
- Remove cable support sleeve ② from the alternator case.
- Remove screws ③.
- Take the stator out of the alternator cover.

22.5 Installing the stator



- Position the stator in the alternator cover.
- Mount and tighten screws ①.

Guideline

Screw, stator	M5	6 Nm (4.4 lbf ft)	Loctite® 243™
---------------	----	----------------------	---------------

- Position cable support sleeve ② in the alternator case.
- Position the cable holder. Mount and tighten screw ③.

Guideline

Screw, cable holder in alternator cover	M4	4 Nm (3 lbf ft)	Loctite® 243™
---	----	--------------------	---------------

23.1 Checking the starter motor

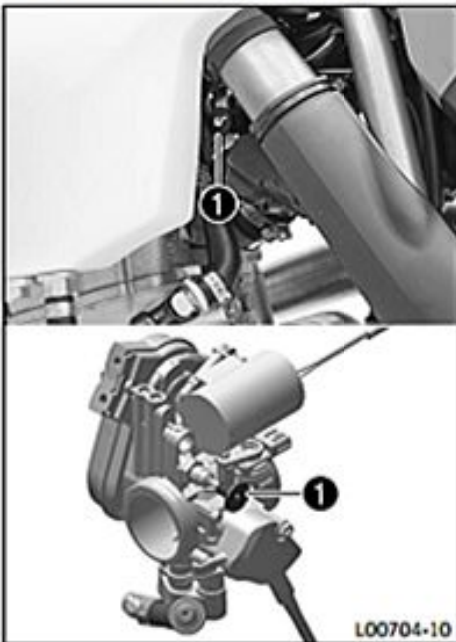


Condition

The starter motor has been removed.

- Connect the negative cable of a 12 volt power supply to the housing of the starter motor. Connect the positive cable of the power supply briefly to connector **1** of the starter motor.
 - » If the starter motor does not turn when the circuit is closed:
 - Change the starter motor.

24.1 Adjusting the idle speed



- Run the engine warm and push the idle speed adjusting screw **1** all the way in.
- Set the desired idle speed by turning the idle speed adjusting screw.

Guideline

Idle speed	1,950... 2,050 rpm
------------	--------------------

- i** **Info**
 Turn counterclockwise to increase the idle speed.
 Turn clockwise to decrease the idle speed.

24.2 Throttle position sensor circuit A - checking the basic settings

Condition

The diagnostics tool is connected and running.

- "Select the measured values" > "Throttle position sensor voltage circuit (THAD)" and "Throttle position sensor signal circuit (ATP)".

Throttle position sensor circuit A	
Basic position - voltage "THAD"	0.601 ± 0.004 V
Throttle position sensor circuit A	
Signal "ATP"	0 %

- If the displayed value does not correspond to specifications:
 - Throttle position sensor - adjust the basic settings. (☛ p. 214)

24.3 Throttle position sensor - adjusting the basic settings

Condition

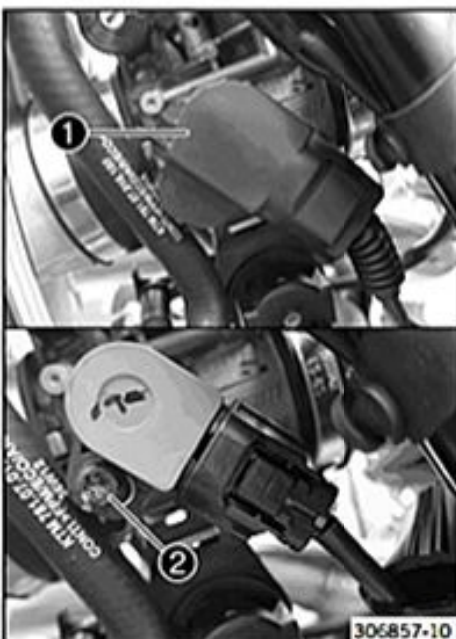
The diagnostics tool is connected and running.

- "Select the measured values" > "Throttle position sensor voltage circuit (THAD)" and "Throttle position sensor signal circuit (ATP)".
- Push back protection cap **1**.
- Loosen screw **2**.
- Set "Throttle position sensor voltage circuit A (THAD)" to the setpoint value. Tighten screw **2**.

- i** **Info**
 The value of "Throttle position sensor signal circuit A (ATP)" must equal the setpoint value.

Throttle position sensor circuit A	
Basic position - voltage "THAD"	0.601 ± 0.004 V
Throttle position sensor circuit A	
Signal "ATP"	0 %

- If the displayed value is equal to the setpoint value:
 - Open and close the throttle grip fully ten times.
 - Check the measured values of "Throttle position sensor voltage circuit A (THAD)" and "Throttle position sensor signal circuit A (ATP)" again.



- Mount protection cap ❶.
- "Read trouble code" selected.
- Select "Delete trouble codes".



Danger

Danger of poisoning Exhaust gases are toxic and inhaling them may result in unconsciousness and/or death.

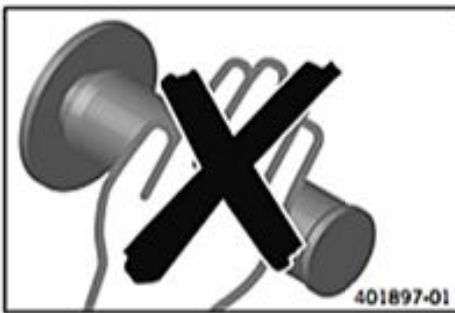
- When running the engine, always make sure there is sufficient ventilation, and do not start or run the engine in an enclosed space without an effective exhaust extraction system.

- Start the engine and perform an initialization run.

Guideline

Initialization run	5 min
--------------------	-------

24.4 Executing the initialization run



Condition

The diagnostics tool is connected and running.

- Execute "Engine electronics" > "Functions" > "Delete adaptation values".
✓ The adaptation values are deleted.
- Select "Engine electronics" > "Measured values" > "Coolant temperature sensor (TW1)".
✓ The coolant temperature is displayed during the initialization run.



Danger

Danger of poisoning Exhaust gases are toxic and inhaling them may result in unconsciousness and/or death.

- When running the engine, always make sure there is sufficient ventilation, and do not start or run the engine in an enclosed space without an effective exhaust extraction system.

- Start the engine without operating the throttle grip.

Guideline

Coolant temperature	< 25 °C (< 77 °F)
---------------------	-------------------

- Let the engine idle until it reaches the specified temperature.

Guideline

Coolant temperature	80... 90 °C (176... 194 °F)
---------------------	-----------------------------



Info

Do not operate the throttle grip during the initialization process.

- As soon as the specified temperature is reached, switch off the ignition.



Info

If the initialization is not completed or the initialization process is interrupted, the entire process must be restarted.

25.1 Engine

Design	1-cylinder 4-stroke engine, water-cooled
Displacement (all 450 models)	449.3 cm ³ (27.418 cu in)
Displacement (all 500 models)	510.4 cm ³ (31.147 cu in)
Stroke (all 450 models)	63.4 mm (2.496 in)
Stroke (all 500 models)	72 mm (2.83 in)
Bore	95 mm (3.74 in)
Compression ratio	11,8:1
Idle speed	1,950... 2,050 rpm
Control	OHC, 4 valves controlled via rocker arm, drive via tooth/wheel chain
Valve diameter, intake	40 mm (1.57 in)
Valve diameter, exhaust	33 mm (1.3 in)
Valve clearance	
Exhaust at: 20 °C (68 °F)	0.12... 0.17 mm (0.0047... 0.0067 in)
Intake at: 20 °C (68 °F)	0.10... 0.15 mm (0.0039... 0.0059 in)
Crankshaft bearing	2 grooved ball bearings
Conrod bearing	Slide bearing
Piston pin bearing	No bearing bushes - DLC-plated piston pins
Pistons	Forged light alloy
Piston rings	1 compression ring, 1 oil scraper ring
Engine lubrication	Pressure circulation lubrication with two rotary pumps
Primary transmission	32:76
Clutch	Multidisc clutch in oil bath / hydraulically activated
Transmission ratio	
1st gear	14:36
2nd gear	17:32
3rd gear	19:28
4th gear	22:26
5th gear	24:23
6th gear	26:21
Alternator	12 V, 200 W
Ignition	Contactless controlled fully electronic ignition with digital ignition adjustment, type Kokusan
Spark plug	NGK LKAR 8AI - 9
Spark plug electrode gap	0.9 mm (0.035 in)
Cooling	Water, permanent circulation of coolant by water pump
Starter	Electric starter/kick starter

25.2 Engine tolerance, wear limits

Camshaft - cam height	
Exhaust	33.10... 33.30 mm (1.3031... 1.311 in)
Camshaft - cam height (all 450 models)	
Intake	33.90... 34.10 mm (1.3346... 1.3425 in)
Camshaft - cam height (all 500 models)	
Intake	34.40... 34.60 mm (1.3543... 1.3622 in)
Valve	
Intake sealing seat width	2.00 mm (0.0787 in)
Exhaust sealing seat width	2.00 mm (0.0787 in)
Run-out at valve plate	≤ 0.05 mm (≤ 0.002 in)
Valve spring	
Intake minimum length (without valve spring seat)	40.7 mm (1.602 in)

Exhaust minimum length (without valve spring seat)	40.7 mm (1.602 in)
Valve spring seat	1.8 mm (0.071 in)
Cylinder/cylinder head - sealing area distortion	≤ 0.10 mm (≤ 0.0039 in)
Piston - diameter	
Size I	94.93... 94.96 mm (3.7374... 3.7386 in)
Size II	94.94... 94.97 mm (3.7378... 3.739 in)
Cylinder - drill hole diameter	
Size I	95.000... 95.012 mm (3.74015... 3.74062 in)
Size II	95.013... 95.025 mm (3.74066... 3.74113 in)
Piston/cylinder - mounting clearance	
Size I	0.040... 0.082 mm (0.00157... 0.00323 in)
Size II	0.043... 0.085 mm (0.00169... 0.00335 in)
Wear limit	0.120 mm (0.00472 in)
Piston ring end gap	
Compression ring	≤ 1.00 mm (≤ 0.0394 in)
Oil scraper ring	≤ 1.20 mm (≤ 0.0472 in)
Conrod bearing - axial clearance	0.20... 0.45 mm (0.0079... 0.0177 in)
Conrod bearing - radial clearance	≤ 0.05 mm (≤ 0.002 in)
Crankshaft - run-out on bearing pin	≤ 0.16 mm (≤ 0.0063 in)
Crankshaft - external crank web dimension	63±0.05 mm (2.48±0.002 in)
Clutch facing disc - thickness	≥ 1.9 mm (≥ 0.075 in)
Clutch spring - length	43.00... 44.03 mm (1.6929... 1.7335 in)
Oil pressure regulator valve	
Minimum length of preload spring	23.5 mm (0.925 in)
Oil pump	
External rotor/engine case clearance	≤ 0.20 mm (≤ 0.0079 in)
External rotor/internal rotor clearance	≤ 0.20 mm (≤ 0.0079 in)
End play	≤ 0.15 mm (≤ 0.0059 in)
Engine oil consumption	≤ 20 ml/h (≤ 0.68 fl. oz./hr)
Shift fork	
Thickness at leaf	4.85... 4.95 mm (0.1909... 0.1949 in)
Shift shaft - play in sliding plate/shift quadrant	0.40... 0.80 mm (0.0157... 0.0315 in)
Transmission shaft - run-out	≤ 0.06 mm (≤ 0.0024 in)

25.3 Engine tightening torques

Oil jet, piston cooling	M4	2 Nm (1.5 lbf ft)	Loctite® 243™
Screw, cable holder in alternator cover	M4	4 Nm (3 lbf ft)	Loctite® 243™
Oil jet, piston cooling	M5	2 Nm (1.5 lbf ft)	Loctite® 243™
Oil jet, rocker arm lubrication	M5	2 Nm (1.5 lbf ft)	Loctite® 243™
Screw, bearing retainer	M5	6 Nm (4.4 lbf ft)	Loctite® 2701™
Screw, clutch spring retainer	M5	6 Nm (4.4 lbf ft)	-
Screw, ignition pulse generator	M5	6 Nm (4.4 lbf ft)	Loctite® 243™
Screw, locking lever	M5	6 Nm (4.4 lbf ft)	Loctite® 243™
Screw, oil filter cover	M5	6 Nm (4.4 lbf ft)	-
Screw, oil pump cover	M5	6 Nm (4.4 lbf ft)	Loctite® 243™
Screw, stator	M5	6 Nm (4.4 lbf ft)	Loctite® 243™
Nut, water pump impeller	M6	8 Nm (5.9 lbf ft)	Loctite® 243™
Plug, vacuum connection	M6	2.5 Nm (1.84 lbf ft)	Loctite® 243™
Screw, alternator cover	M6x25	10 Nm (7.4 lbf ft)	-
Screw, camshaft bearing support	M6	10 Nm (7.4 lbf ft)	Loctite® 243™
Screw, clutch cover	M6x25	10 Nm (7.4 lbf ft)	-
Screw, cylinder head	M6	10 Nm (7.4 lbf ft)	-

Screw, engine case	M6x40	10 Nm (7.4 lbf ft)	–
Screw, engine case	M6x60	10 Nm (7.4 lbf ft)	–
Screw, engine case	M6x75	10 Nm (7.4 lbf ft)	–
Screw, engine case	M6x80	10 Nm (7.4 lbf ft)	–
Screw, engine case	M6x85	10 Nm (7.4 lbf ft)	–
Screw, exhaust flange	M6	10 Nm (7.4 lbf ft)	Loctite® 243™
Screw, idler	M6	10 Nm (7.4 lbf ft)	Loctite® 243™
Screw, kick starter spring hanger	M6	10 Nm (7.4 lbf ft)	Loctite® 243™
Screw, kick starter stop	M6	10 Nm (7.4 lbf ft)	Loctite® 243™
Screw, oil pump cover	M6	10 Nm (7.4 lbf ft)	Loctite® 243™
Screw, shift drum locating	M6	10 Nm (7.4 lbf ft)	Loctite® 243™
Screw, shift lever	M6	14 Nm (10.3 lbf ft)	Loctite® 243™
Screw, starter motor	M6	10 Nm (7.4 lbf ft)	–
Screw, timing chain guide rail	M6	10 Nm (7.4 lbf ft)	Loctite® 243™
Screw, timing chain securing guide	M6	10 Nm (7.4 lbf ft)	Loctite® 243™
Screw, timing chain tensioner	M6	10 Nm (7.4 lbf ft)	–
Screw, timing chain tensioning rail	M6	10 Nm (7.4 lbf ft)	Loctite® 243™
Screw, torque governor	M6	10 Nm (7.4 lbf ft)	Loctite® 243™
Screw, valve cover	M6	10 Nm (7.4 lbf ft)	–
Screw, water pump cover	M6x25	10 Nm (7.4 lbf ft)	–
Screw, water pump cover	M6x55	10 Nm (7.4 lbf ft)	–
Oil jet for balancer shaft lubrication	M6x0.75	4 Nm (3 lbf ft)	–
Oil nozzle for conrod bearing lubrication	M6x0.75	4 Nm (3 lbf ft)	–
Plug, oil channel	M7	9 Nm (6.6 lbf ft)	Loctite® 243™
Screw, rocker arm bearing	M7x1	15 Nm (11.1 lbf ft)	–
Plug, crankshaft location	M8	10 Nm (7.4 lbf ft)	–
Screw, clutch cover	M8	10 Nm (7.4 lbf ft)	–
Screw, kick starter	M8	25 Nm (18.4 lbf ft)	Loctite® 2701™
Plug, timing chain tensioner	M8x1	8 Nm (5.9 lbf ft)	–
Plug, oil drilling	M10	15 Nm (11.1 lbf ft)	Loctite® 243™
Screw, engine sprocket	M10	60 Nm (44.3 lbf ft)	Loctite® 2701™
Screw, cylinder head	M10x1.25	Tightening sequence: Tighten diagonally, beginning with the rear screw on the timing chain shaft. Step 1 10 Nm (7.4 lbf ft) Step 2 30 Nm (22.1 lbf ft) Step 3 50 Nm (36.9 lbf ft)	Lubricated with engine oil
Nut, rotor	M12x1	60 Nm (44.3 lbf ft)	–
Spark plug	M12x1.25	15... 20 Nm (11.1... 14.8 lbf ft)	–
Engine coolant temperature sensor	M12x1.5	12 Nm (8.9 lbf ft)	–
Oil drain plug with magnet	M12x1.5	20 Nm (14.8 lbf ft)	–
Oil pressure control valve plug	M12x1.5	20 Nm (14.8 lbf ft)	–
Plug, SLS	M12x1.5	20 Nm (14.8 lbf ft)	–
Plug, rocker arm	M14x1.25	20 Nm (14.8 lbf ft)	–
Nut, inner clutch hub	M18x1.5	80 Nm (59 lbf ft)	–
Nut, primary gear	M20LHx1.5	100 Nm (73.8 lbf ft)	Loctite® 648™
Screw plug, engine oil screen	M20x1.5	15 Nm (11.1 lbf ft)	–
Screw plug, gear oil screen	M20x1.5	15 Nm (11.1 lbf ft)	–

25.4 Capacities**25.4.1 Engine oil**

Engine oil	1.50 l (1.59 qt.)	Engine oil (SAE 10W/50) (☛ p. 306)
------------	-------------------	------------------------------------

25.4.2 Coolant

Coolant	1.2 l (1.3 qt.)	Coolant (☛ p. 306)
---------	-----------------	--------------------

25.4.3 Fuel

Total fuel tank capacity, approx. (EXC EU/AUS, EXC SIX DAYS)	9 l (2.4 US gal)	Super unleaded (ROZ 95/RON 95/PON 91) (☛ p. 306)
Total fuel tank capacity, approx. (EXC USA, XC-W)	8.5 l (2.25 US gal)	Super unleaded (ROZ 95/RON 95/PON 91) (☛ p. 306)
Fuel reserve, approx.	1.5 l (1.6 qt.)	

25.5 Chassis

Frame	Central tube frame made of chrome molybdenum steel tubing	
Fork (EXC EU/AUS/USA, XC-W)	WP Suspension Up Side Down 4860 MXMA PA	
Fork (EXC SIX DAYS)	WP Suspension Up Side Down 4860 4CS	
Suspension travel (EXC EU/AUS/USA, XC-W)		
Front	300 mm (11.81 in)	
Suspension travel (EXC SIX DAYS)		
Front	300 mm (11.81 in)	
Suspension travel		
Rear	335 mm (13.19 in)	
Fork offset	20 mm (0.79 in)	
Shock absorber	WP Performance Systems 5018 PDS DCC	
Brake system	Disc brakes, brake calipers on floating bearings	
Brake discs - diameter		
Front	260 mm (10.24 in)	
Rear	220 mm (8.66 in)	
Brake discs - wear limit		
Front	2.5 mm (0.098 in)	
Rear	3.5 mm (0.138 in)	
Tire air pressure off road		
Front	1.0 bar (15 psi)	
Rear	1.0 bar (15 psi)	
Road tire pressure (all EXC models)		
Front	1.5 bar (22 psi)	
Rear	1.5 bar (22 psi)	
Final drive (all 450 EXC models)	14:52 (13:52)	
Final drive (500 EXC EU, 500 EXC AUS, 500 EXC SIX DAYS EU)	14:50 (13:50)	
Final drive (450 XC-W USA)	14:52 (13:52)	
Final drive (500 XC-W USA)	14:50 (13:50)	
Final drive (EXC USA)	14:50 (13:50)	
Chain	5/8 x 1/4"	
Rear sprockets available	38, 40, 42, 45, 48, 49, 50, 51, 52	
Steering head angle	63.5°	
Wheelbase	1,482±10 mm (58.35±0.39 in)	
Seat height unloaded	970 mm (38.19 in)	

Ground clearance unloaded	345 mm (13.58 in)
Weight without fuel, approx. (450 XC-W USA)	111.0 kg (244.7 lb.)
Weight without fuel, approx. (500 XC-W USA)	111.5 kg (245.8 lb.)
Maximum permissible front axle load	145 kg (320 lb.)
Maximum permissible rear axle load	190 kg (419 lb.)
Maximum permissible overall weight	335 kg (739 lb.)

25.6 Electrical system

Battery	YTX5L-BS	Battery voltage: 12 V Nominal capacity: 4 Ah Maintenance-free
Speedometer battery	CR 2430	Battery voltage: 3 V
Fuse	58011109105	5 A
Fuse	75011088010	10 A
Fuse	58011109120	20 A
Headlight	HS1 / socket PX43t	12 V 35/35 W
Parking light	W5W / socket W2.1x9.5d	12 V 5 W
Indicator lamps	W2.3W / socket W2x4.6d	12 V 2.3 W
Turn signal (EXC EU/AUS, EXC SIX DAYS)	R10W / socket BA15s	12 V 10 W
Turn signal (EXC USA)	RY10W / socket BAU15s	12 V 10 W
Brake/tail light	LED	
License plate lamp (all EXC models)	W5W / socket W2.1x9.5d	12 V 5 W

25.7 Tires

Validity	Front tires	Rear tires
(all EXC models)	80/100 - 21 M/C 51M TT MAXXIS MAXX CROSS SI	140/80 - 18 M/C 70R TT MAXXIS MAXX ENDURO
(XC-W)	80/100 - 21 51M TT Dunlop GEOMAX MX51FA	110/100 - 18 64M TT Dunlop GEOMAX MX51

Additional information is available in the Service section under:
<http://www.ktm.com>

25.8 Fork

25.8.1 EXC EU/AUS/USA, XC-W

Fork part number	14.18.7L.69
Fork	WP Suspension Up Side Down 4860 MXMA PA
Compression damping	
Comfort	22 clicks
Standard	20 clicks
Sport	18 clicks
Rebound damping	
Comfort	20 clicks
Standard	18 clicks
Sport	16 clicks
Spring preload - Preload Adjuster	
Comfort	1 turn
Standard	2 turns

Sport	2 turns	
Spring length with preload spacer(s)		
Weight of rider: 65... 75 kg (143... 165 lb.)	513 mm (20.2 in)	
Weight of rider: 75... 85 kg (165... 187 lb.)	513 mm (20.2 in)	
Weight of rider: 85... 95 kg (187... 209 lb.)	513 mm (20.2 in)	
Spring rate		
Weight of rider: 65... 75 kg (143... 165 lb.)	4.2 N/mm (24 lb/in)	
Weight of rider: 75... 85 kg (165... 187 lb.)	4.4 N/mm (25.1 lb/in)	
Weight of rider: 85... 95 kg (187... 209 lb.)	4.6 N/mm (26.3 lb/in)	
Fork length	940 mm (37.01 in)	
Air chamber length	110.9 mm (4.33 in)	
Fork oil per fork leg	618 ml (20.89 fl. oz.)	Fork oil (SAE 4) (48601166S1) (☛ p. 306)

25.8.2 EXC SIX DAYS

Fork part number	24.18.7N.69	
Fork	WP Suspension Up Side Down 4860 4CS	
Compression damping		
Comfort	15 clicks	
Standard	13 clicks	
Sport	11 clicks	
Rebound damping		
Comfort	15 clicks	
Standard	13 clicks	
Sport	11 clicks	
Spring length with preload spacer(s)	472 mm (18.58 in)	
Spring rate		
Weight of rider: 65... 75 kg (143... 165 lb.)	4.2 N/mm (24 lb/in)	
Weight of rider: 75... 85 kg (165... 187 lb.)	4.4 N/mm (25.1 lb/in)	
Weight of rider: 85... 95 kg (187... 209 lb.)	4.6 N/mm (26.3 lb/in)	
Fork length	932 mm (36.69 in)	
Air chamber length	100 mm (3.94 in)	
Oil capacity per fork leg	635 ml (21.47 fl. oz.)	Fork oil (SAE 4) (48601166S1) (☛ p. 306)

25.9 Shock absorber

Shock absorber part number	12.18.7L.69	
Shock absorber	WP Performance Systems 5018 PDS DCC	
Compression damping, low-speed		
Comfort	25 clicks	
Standard	20 clicks	
Sport	15 clicks	
Compression damping, high-speed		
Comfort	2 turns	
Standard	1.5 turns	
Sport	1.25 turns	
Rebound damping		
Comfort	28 clicks	
Standard	24 clicks	
Sport	22 clicks	
Spring preload		
Comfort	9 mm (0.35 in)	
Standard	9 mm (0.35 in)	

Sport	9 mm (0.35 in)
Spring rate	
Weight of rider: 65... 75 kg (143... 165 lb.)	69 N/mm (394 lb/in)
Weight of rider: 75... 85 kg (165... 187 lb.)	72 N/mm (411 lb/in)
Weight of rider: 85... 95 kg (187... 209 lb.)	76 N/mm (434 lb/in)
Spring length	250 mm (9.84 in)
Gas pressure	10 bar (145 psi)
Static sag	33... 35 mm (1.3... 1.38 in)
Riding sag	105... 115 mm (4.13... 4.53 in)
Fitted length	417 mm (16.42 in)
Damper oil	Shock absorber fluid (SAE 2.5) (50180751S1) (☛ p. 306)

25.10 Chassis tightening torques

Spoke nipple, front wheel	M4.5	5... 6 Nm (3.7... 4.4 lbf ft)	–
Spoke nipple, rear wheel	M4.5	5... 6 Nm (3.7... 4.4 lbf ft)	–
Screw, battery terminal	M5	2.5 Nm (1.84 lbf ft)	–
Screw, intake air temperature sensor	M5	2 Nm (1.5 lbf ft)	–
Screw, shock absorber adjusting ring	M5	5 Nm (3.7 lbf ft)	–
Screw, spoiler on fuel tank (XC-W)	M5x12	1.5 Nm (1.11 lbf ft)	–
Remaining nuts, chassis	M6	10 Nm (7.4 lbf ft)	–
Remaining screws, chassis	M6	10 Nm (7.4 lbf ft)	–
Screw, ball joint of push rod on foot brake cylinder	M6	10 Nm (7.4 lbf ft)	Loctite® 243™
Screw, chain sliding guard	M6	6 Nm (4.4 lbf ft)	Loctite® 243™
Screw, front brake disc	M6	14 Nm (10.3 lbf ft)	Loctite® 243™
Screw, rear brake disc	M6	14 Nm (10.3 lbf ft)	Loctite® 243™
Fuel connection on fuel pump	M8	10 Nm (7.4 lbf ft)	–
Nut, foot brake lever stop	M8	20 Nm (14.8 lbf ft)	–
Nut, rear sprocket screw	M8	35 Nm (25.8 lbf ft)	Loctite® 2701™
Nut, rim lock	M8	12 Nm (8.9 lbf ft)	–
Remaining nuts, chassis	M8	25 Nm (18.4 lbf ft)	–
Remaining screws, chassis	M8	25 Nm (18.4 lbf ft)	–
Screw, bottom triple clamp (EXC SIX DAYS)	M8	15 Nm (11.1 lbf ft)	–
Screw, bottom triple clamp (EXC EU/AUS/USA, XC-W)	M8	15 Nm (11.1 lbf ft)	–
Screw, chain sliding piece	M8	15 Nm (11.1 lbf ft)	–
Screw, engine brace	M8	33 Nm (24.3 lbf ft)	Loctite® 2701™
Screw, fork stub	M8	15 Nm (11.1 lbf ft)	–
Screw, front brake caliper	M8	25 Nm (18.4 lbf ft)	Loctite® 243™
Screw, handlebar clamp	M8	20 Nm (14.8 lbf ft)	–
Screw, side stand attachment	M8	45 Nm (33.2 lbf ft)	Loctite® 2701™
Screw, subframe	M8	35 Nm (25.8 lbf ft)	Loctite® 2701™
Screw, top steering stem (EXC SIX DAYS)	M8	17 Nm (12.5 lbf ft)	Loctite® 243™
Screw, top steering stem (EXC EU/AUS/USA, XC-W)	M8	20 Nm (14.8 lbf ft)	–
Screw, top triple clamp (EXC SIX DAYS)	M8	17 Nm (12.5 lbf ft)	–
Screw, top triple clamp (EXC EU/AUS/USA, XC-W)	M8	20 Nm (14.8 lbf ft)	–
Engine attachment bolt	M10	60 Nm (44.3 lbf ft)	–
Remaining nuts, chassis	M10	45 Nm (33.2 lbf ft)	–

Remaining screws, chassis	M10	45 Nm (33.2 lbf ft)	–
Screw, handlebar holder	M10	40 Nm (29.5 lbf ft)	Loctite® 243™
Nut, fuel pump fixation	M12	15 Nm (11.1 lbf ft)	–
Screw, bottom shock absorber	M12	80 Nm (59 lbf ft)	Loctite® 2701™
Screw, top shock absorber	M12	80 Nm (59 lbf ft)	Loctite® 2701™
Nut, seat fixing	M12x1	20 Nm (14.8 lbf ft)	–
Nut, swingarm pivot	M16x1.5	100 Nm (73.8 lbf ft)	–
Nut, rear wheel spindle	M20x1.5	80 Nm (59 lbf ft)	–
Screw, top steering head	M20x1.5	12 Nm (8.9 lbf ft)	–
Screw-in nozzles, cooling system	M20x1.5	12 Nm (8.9 lbf ft)	Loctite® 243™
Screw, front wheel spindle	M24x1.5	45 Nm (33.2 lbf ft)	–

26.1 Cleaning the motorcycle

Note

Material damage Damage and destruction of components by high-pressure cleaning equipment.

- When cleaning the vehicle with a pressure cleaner, do not point the water jet directly onto electrical components, connectors, cables, bearings, etc. Maintain a minimum distance of 60 cm between the nozzle of the pressure cleaner and the component. Excessive pressure can cause malfunctions or destroy these parts.

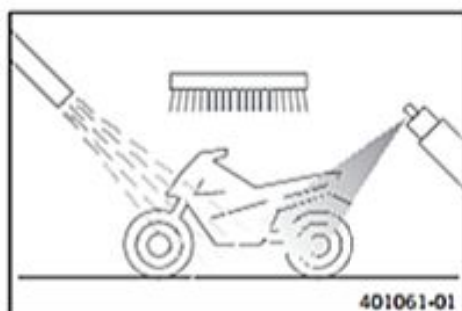
**Warning**

Environmental hazard Hazardous substances cause environmental damage.

- Oil, grease, filters, fuel, cleaners, brake fluid, etc., should be disposed of as stipulated in applicable regulations.

**Info**

If you clean the motorcycle regularly, its value and appearance will be maintained over a long period. Avoid direct sunshine on the motorcycle during cleaning.



- Close off the exhaust system to keep water from entering.
- First remove coarse dirt particles with a gentle spray of water.
- Spray very dirty areas with a normal motorcycle cleaner and then clean with a paintbrush.

Motorcycle cleaner (☛ p. 307)

**Info**

Use warm water containing normal motorcycle cleaner and a soft sponge. Never apply motorcycle cleaner to the dry vehicle; always rinse with water first.

- After rinsing the motorcycle with a gentle spray of water, allow it to dry thoroughly.
- Remove the plug from the exhaust system.

**Warning**

Danger of accidents Reduced braking efficiency due to a wet or dirty brake system.

- Clean or dry a dirty or wet brake system by riding and braking gently.

- After cleaning, ride a short distance until the engine reaches operating temperature.

**Info**

The heat produced causes water at inaccessible locations in the engine and brake system to evaporate.

- After the motorcycle has cooled off, lubricate all moving parts and bearings.
- Clean the chain. (☛ p. 109)
- Treat bare metal parts (except for brake discs and exhaust system) with anti-corrosion materials.

Preserving materials for paints, metal and rubber (☛ p. 308)

- Treat all plastic parts and powder-coated parts with a mild cleaning and care product.

Special cleaner for glossy and matte paint finishes, metal and plastic surfaces (☛ p. 308)

(all EXC models)

- Grease steering lock.

Universal oil spray (☛ p. 308)

(EXC USA)

- Lubricate the ignition switch.

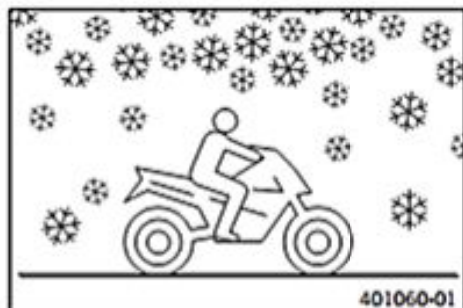
Universal oil spray (☛ p. 308)

26.2 Checks and maintenance steps for winter operation

i Info

If you use the vehicle in winter, you must expect salt on the roads. You should therefore take precautions against aggressive road salt.

If the vehicle was operated in road salt, clean it with cold water after riding. Warm water would enhance the corrosive effects of salt.



- Clean the motorcycle. (☞ p. 224)

- Clean the brake system.

i Info

After **EVERY** trip on salted roads, thoroughly wash the brake calipers and brake linings, in the cooled down and installed state, with cold water and dry carefully.

After riding on salted roads, thoroughly wash the vehicle with cold water and dry it well.

- Treat the engine, swingarm, and all other bright and zinc-plated parts (except for the brake discs) with a wax-based corrosion inhibitor.

i Info

Corrosion inhibitor is not permitted to come in contact with the brake discs as this would greatly reduce the braking force.

- Clean the chain. (☞ p. 109)

27.1 Storage

**Warning**

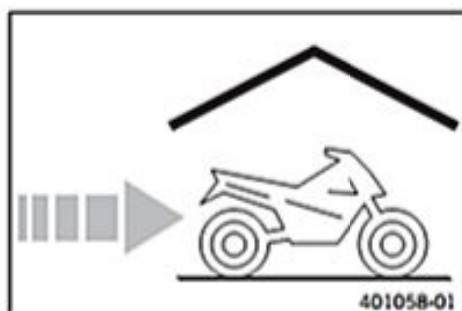
Danger of poisoning Fuel is poisonous and a health hazard.

- Fuel must not come into contact with the skin, eyes, or clothing. Do not breathe in the fuel vapors. If contact occurs with the eyes, rinse with water immediately and contact a physician. Immediately clean contaminated areas on the skin with soap and water. If fuel is swallowed, contact a physician immediately. Change clothing that has been contaminated with fuel. Store fuel properly in a suitable canister and keep away from children.

**Info**

If you want to garage the motorcycle for a longer period, take the following steps.

Before storing the motorcycle, check all parts for function and wear. If service, repairs or replacements are necessary, you should do this during the storage period (less workshop overload). In this way, you can avoid long workshop waiting times at the start of the new season.



- When refueling for the last time before taking the motorcycle out of service, add fuel additive.

Fuel additive (☛ p. 307)

- Refuel.
- Clean the motorcycle. (☛ p. 224)
- Change the engine oil and oil filter and clean the oil screens. (☛ p. 206)
- Check the antifreeze and coolant level. (☛ p. 203)
- Check the tire air pressure. (☛ p. 100)
- Remove the battery. (☛ p. 112)
- Charge the battery.

Guideline

Storage temperature of battery without direct sunlight	0... 35 °C (32... 95 °F)
--	--------------------------

- Store the vehicle in a dry location that is not subject to large fluctuations in temperature.

**Info**

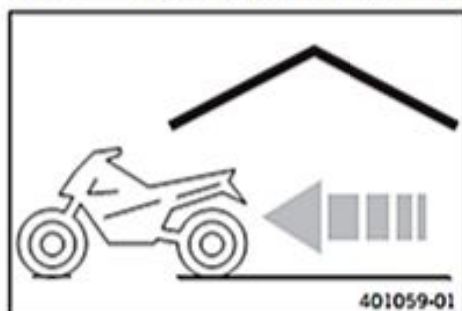
KTM recommends raising the motorcycle.

- Raise the motorcycle with the lift stand. (☛ p. 11)
- Preferably cover the vehicle with a tarp or similar cover that is permeable to air. Do not use non-porous materials since they prevent humidity from escaping, thus causing corrosion.

**Info**

Avoid running the engine for a short time only. Since the engine cannot warm up properly, the water vapor produced during combustion condenses and causes valves and exhaust system to rust.

27.2 Preparing for use after storage



- Remove the motorcycle from the lift stand. (☛ p. 11)
- Install the battery. (☛ p. 112)
- Perform checks and maintenance work when preparing the vehicle for use.
- Take a test ride.

28.1 Service schedule

	Every 30 operating hours/after every race	Every 15 operating hours	Once after 1 operating hour
Read out the fault memory using the KTM diagnostics tool.	○	●	●
Check that the electrical equipment is functioning properly.	○	●	●
Check and charge the battery.		●	●
Check the front brake linings. (☛ p. 114)		●	●
Check the rear brake linings. (☛ p. 119)		●	●
Check the brake discs. (☛ p. 101)		●	●
Check the brake lines for damage and leakage.		●	●
Check the rear brake fluid level. (☛ p. 122)		●	●
Check the free travel of the foot brake lever. (☛ p. 121)		●	●
Check the frame and swingarm.		●	●
Check the swingarm bearing.			●
Check the heim joints at the top and bottom of the shock absorber.		●	●
Check the tire condition. (☛ p. 100)	○	●	●
Check the tire air pressure. (☛ p. 100)	○	●	●
Check the wheel bearing for play.		●	●
Check the wheel hubs.		●	●
Check the rim run-out.	○	●	●
Check the spoke tension. (☛ p. 101)	○	●	●
Check the chain, rear sprocket, engine sprocket and chain guide. (☛ p. 107)		●	●
Check the chain tension. (☛ p. 106)	○	●	●
Grease all moving parts (e.g., side stand, hand lever, chain, ...) and check for smooth operation.		●	●
Check/correct the fluid level of the hydraulic clutch. (☛ p. 202)		●	●
Check the brake fluid level of the front brake. (☛ p. 117)		●	●
Check the free travel of the hand brake lever. (☛ p. 116)		●	●
Check the steering head bearing play. (☛ p. 54)	○	●	●
Check the valve clearance.	○		●
Check the clutch.			●
Change the shaft seal rings of the water pump.			●
Change the engine oil and oil filter and clean the oil screens. (☛ p. 206)	○	●	●
Check all hoses (e. g., fuel, cooling, bleeding, drainage) and sleeves for cracking, leaks, and incorrect routing.	○	●	●
Check the antifreeze and coolant level. (☛ p. 203)	○	●	●
Check the cables for damage and routing without sharp bends.		●	●
Check that the cables are undamaged, routed without sharp bends and set correctly.	○	●	●
Clean the air filter and air filter box.		●	●
Change the glass fiber yarn filling of the main silencer. (☛ p. 84)			●
Check the screws and nuts for tightness.	○	●	●
Check the headlight setting. (☛ p. 125)	○	●	●
Change the fuel screen. (☛ p. 92)	○	●	●
Check the fuel pressure. (☛ p. 96)		●	●
Adjust the idle speed. (☛ p. 214)	○	●	●
Check that the radiator fan is functioning properly.	○	●	●
Final check: Check the vehicle for roadworthiness and take a test ride.	○	●	●
Read out the fault memory using the KTM diagnostics tool after a test ride.	○	●	●
Make the service entry in the KTM Dealer.net and in the Service and Warranty Booklet.	○	●	●

○ One-time interval

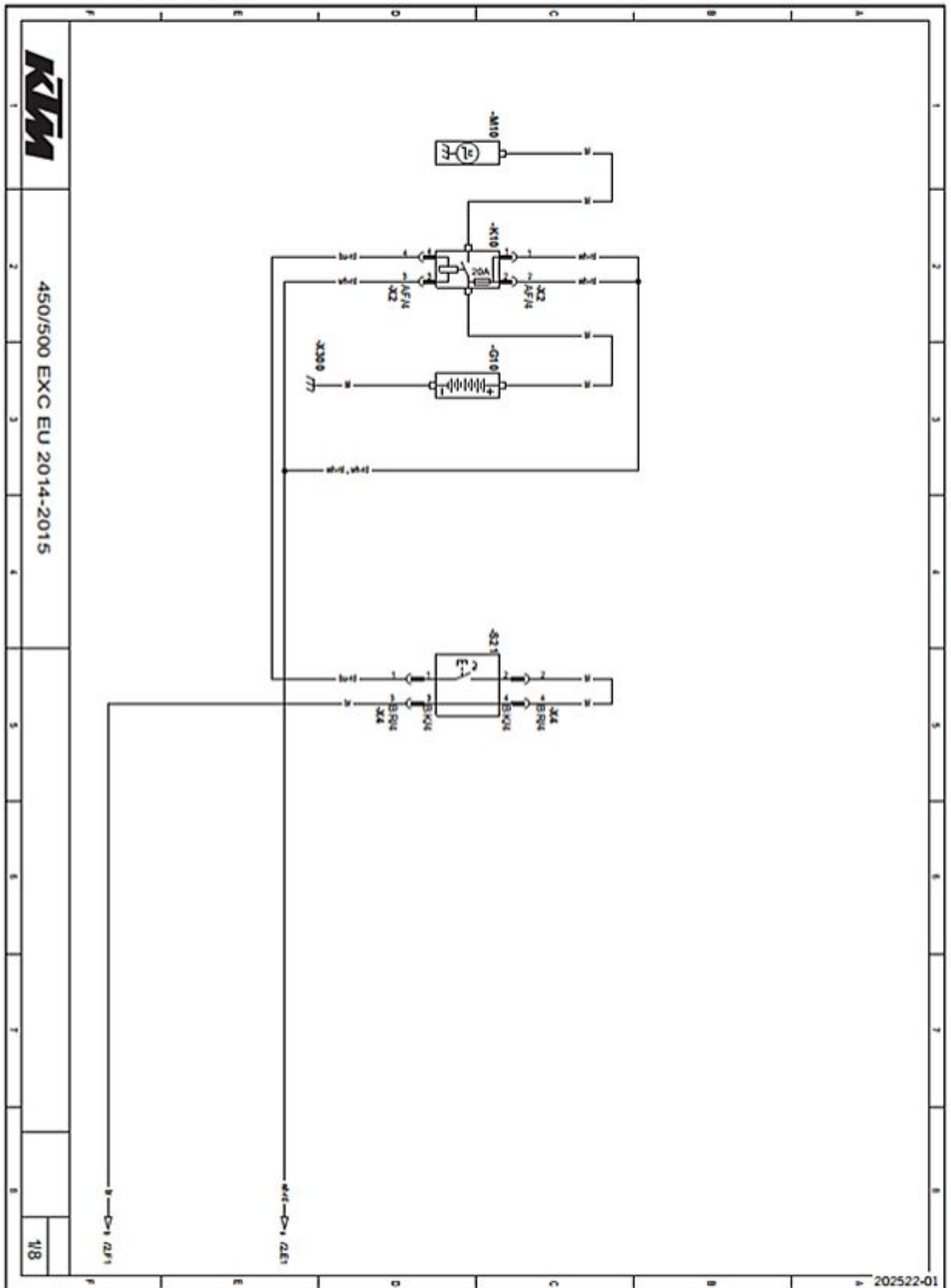
● Periodic interval

28.2 Service work (as additional order)

	Every 135 operating hours/every 70 operating hours when used for motorsports	Every 45 operating hours	Once after 15 operating hours	Annually
Change the front brake fluid. (☛ p. 118)				•
Change the rear brake fluid. (☛ p. 123)				•
Change the hydraulic clutch fluid. (☛ p. 202)				•
Grease the steering head bearing. (☛ p. 51)				•
Clean the spark arrestor. (EXC USA, XC-W)				•
Perform a fork service. (EXC SIX DAYS) (☛ p. 37)	○	•	•	
Perform a fork service. (EXC EU/AUS/USA, XC-W) (☛ p. 17)	○	•	•	
Service the shock absorber. (☛ p. 64)		•	•	
Change the spark plug and spark plug connector.				•
Change the piston.				•
Check/measure the cylinder.				•
Check the cylinder head.				•
Change the valves, valve springs, and valve spring seats.				•
Check the camshaft and cam lever.				•
Change the connecting rod, conrod bearing, and crank pin.				•
Check the transmission and shift mechanism.				•
Check the oil pressure regulator valve.				•
Change the suction pump.				•
Check the oil pumps and lubrication system.				•
Replace the timing chain.				•
Check the timing assembly.				•
Change all engine bearings.				•

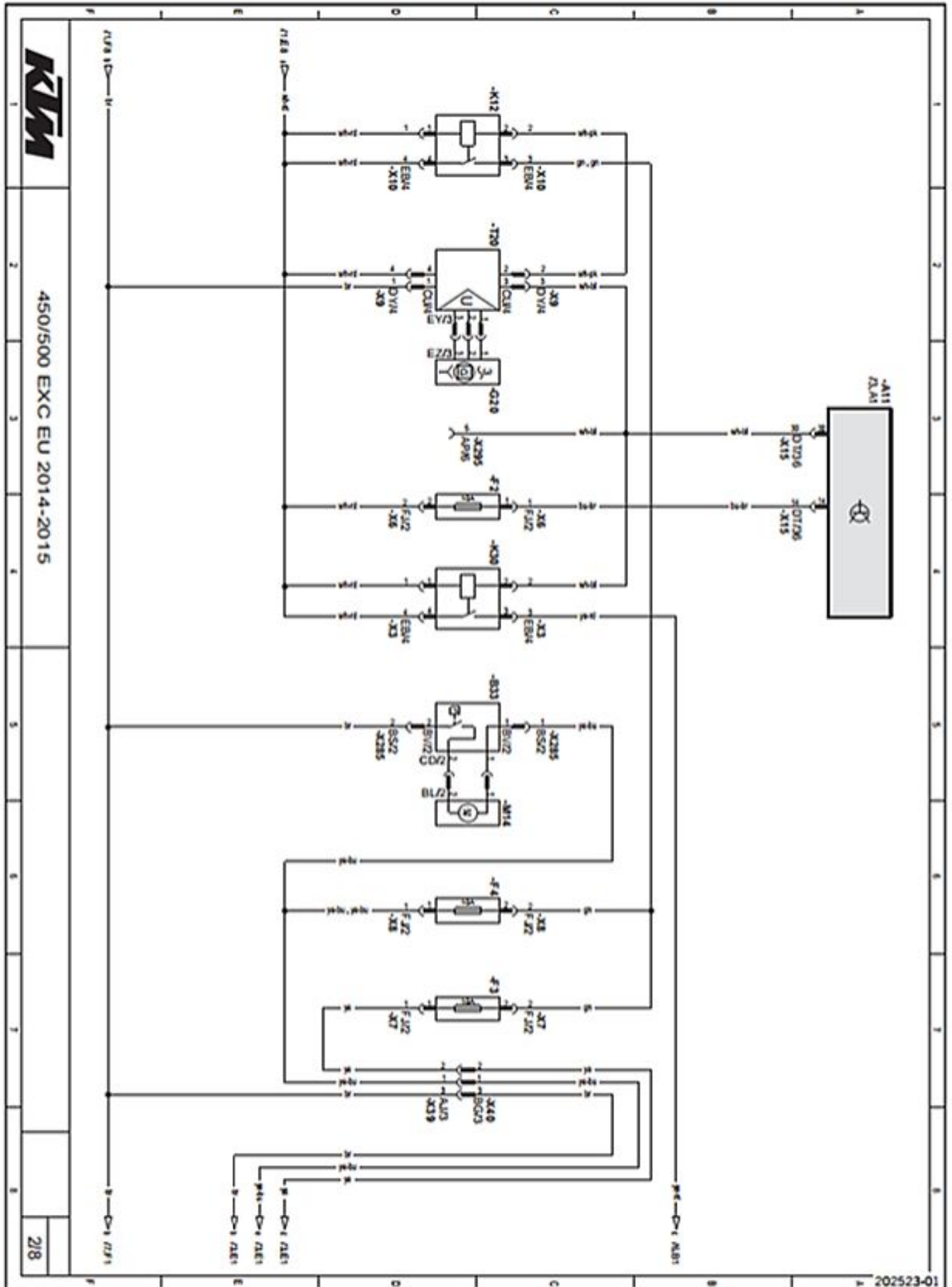
○ One-time interval

• Periodic interval



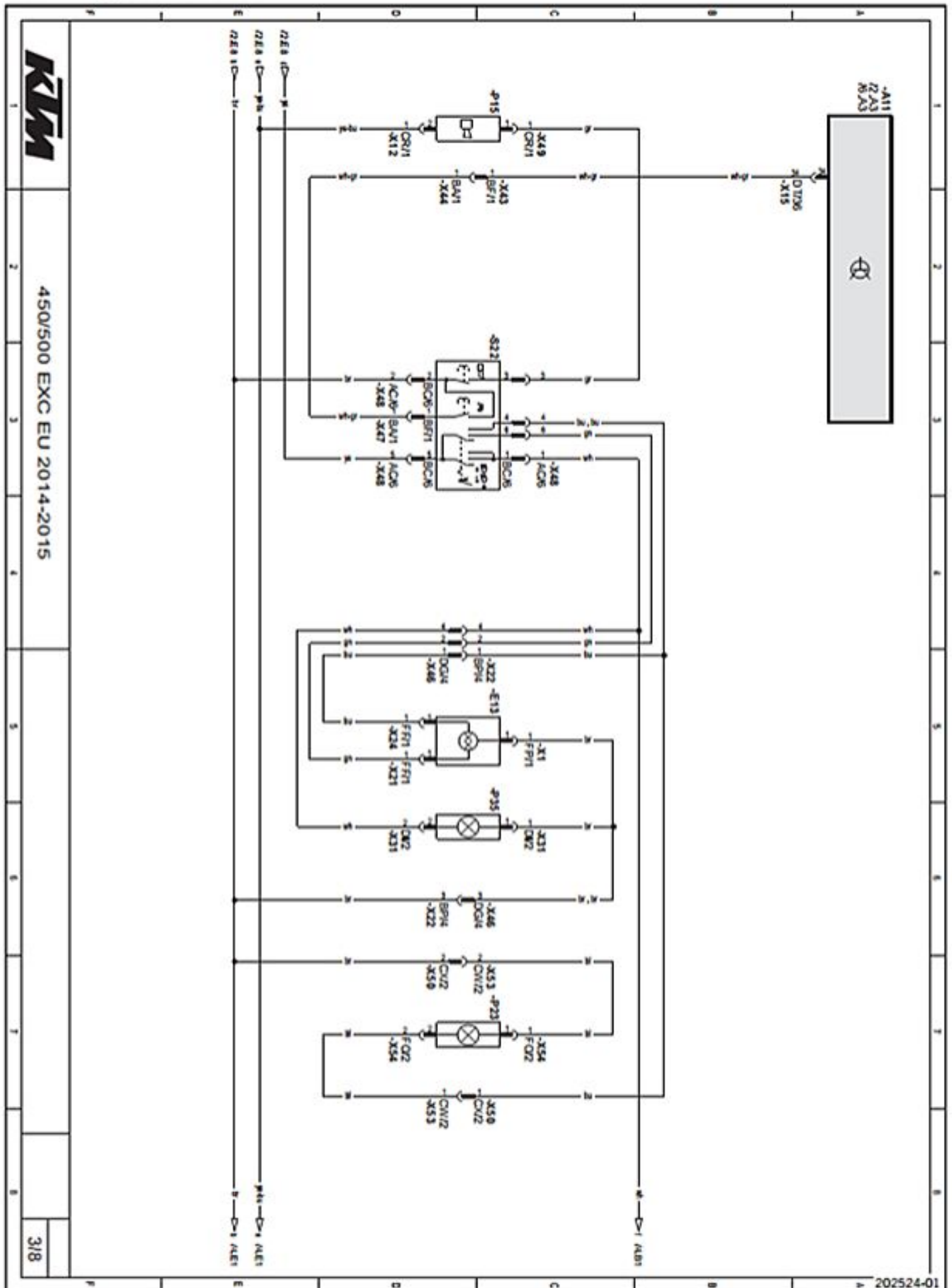
Components:

G10	Battery
K10	Starter relay with main fuse
M10	Starter motor
S21	Electric starter button



Components:

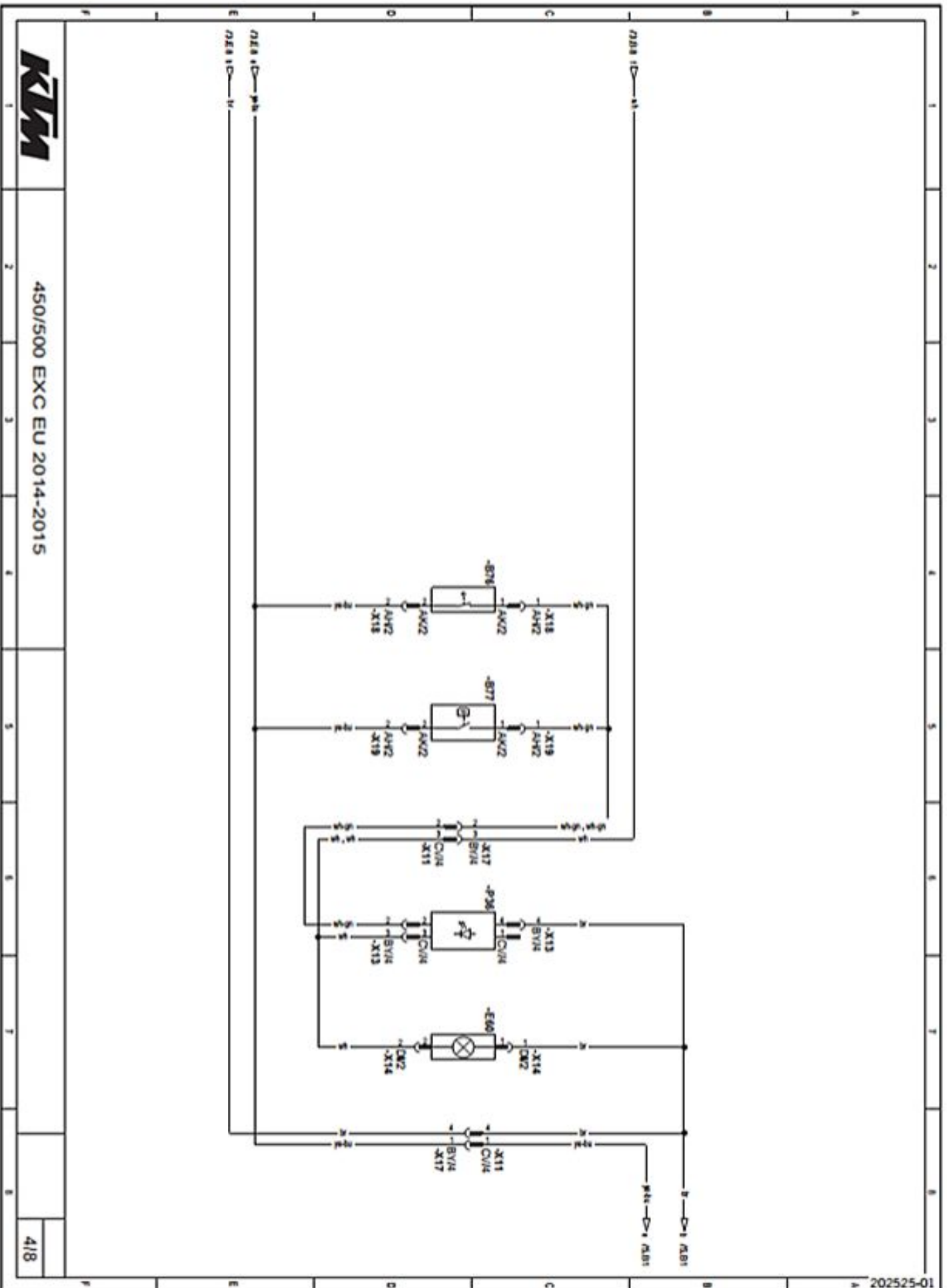
A11	EFI control unit
B33	Radiator fan temperature switch
F2	Fuse
F3	Fuse
F4	Fuse
G20	Alternator
K12	Light relay
K30	Power relay
M14	Radiator fan
T20	Voltage regulator
X295	Diagnostics connector



Components:

A11	EFI control unit
E13	Low beam, high beam
P15	Horn
P23	High beam indicator lamp
P35	Parking light
S22	Light switch, horn button, kill switch

29.4 Page 4 of 8 (EXC EU)



450/500 EXC EU 2014-2015

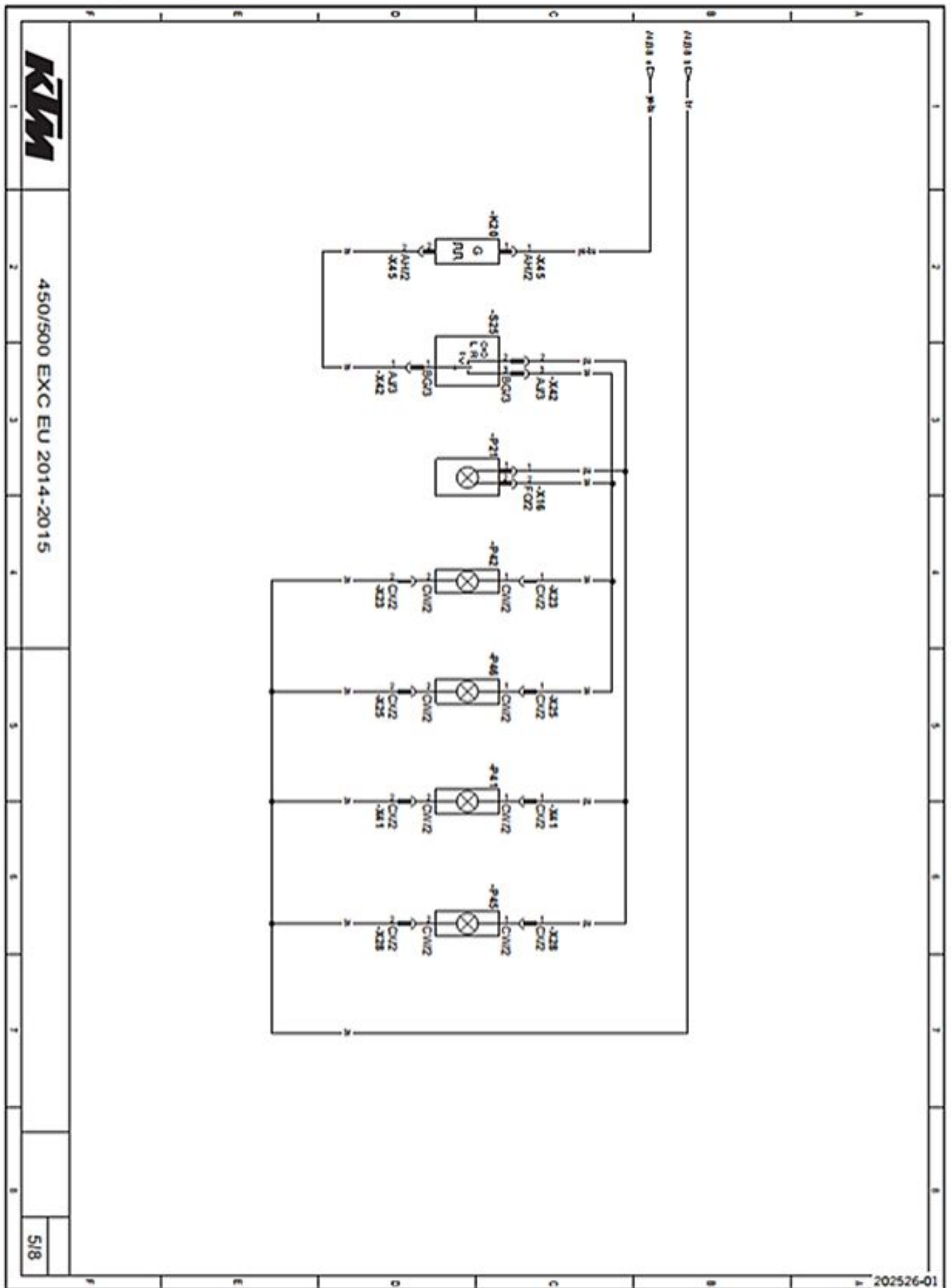
Components:

B76	Brake light switch, front
-----	---------------------------

B77	Brake light switch, rear
-----	--------------------------

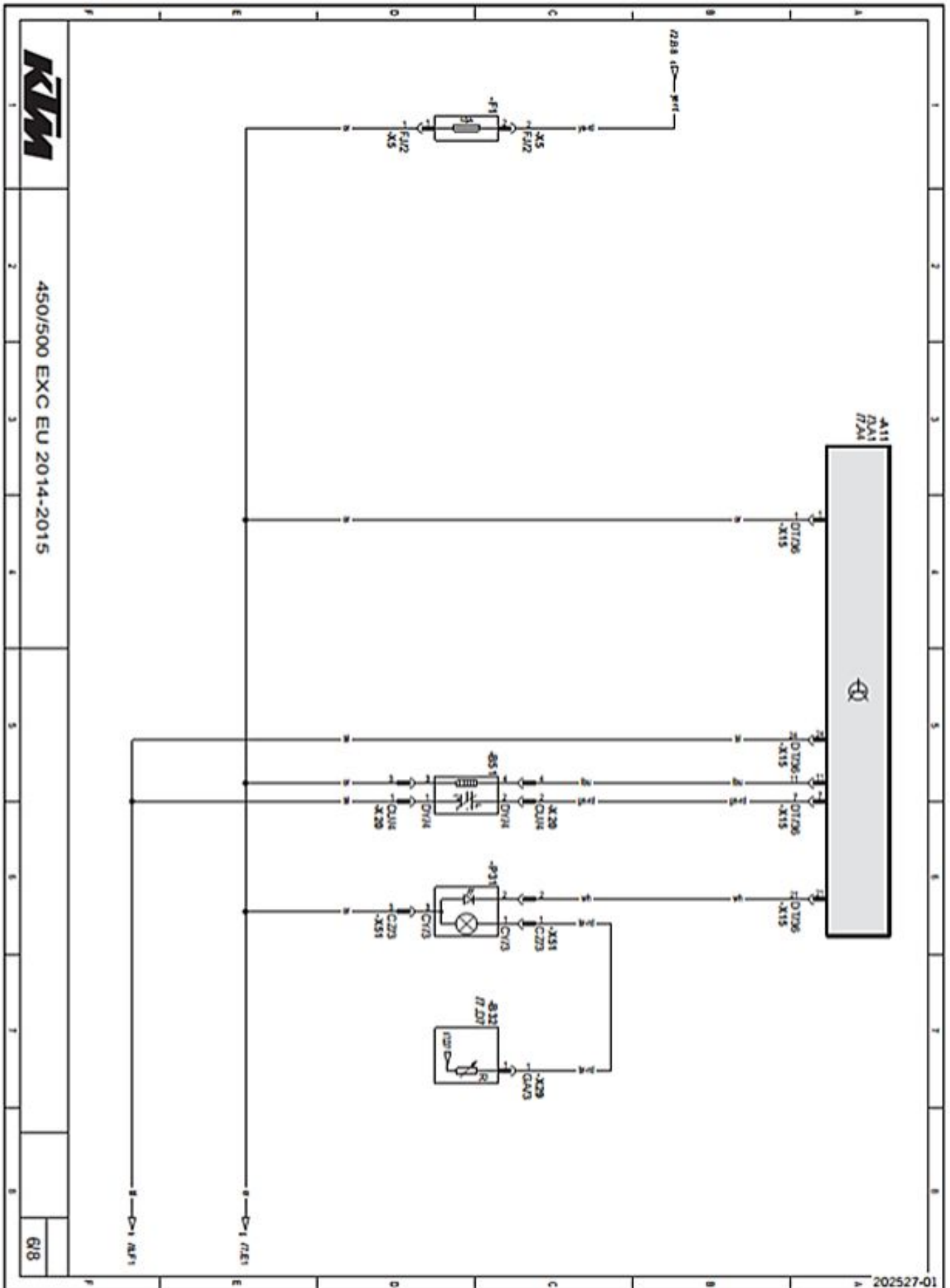
E60	License plate lamp
-----	--------------------

P36	Brake/tail light
-----	------------------



Components:

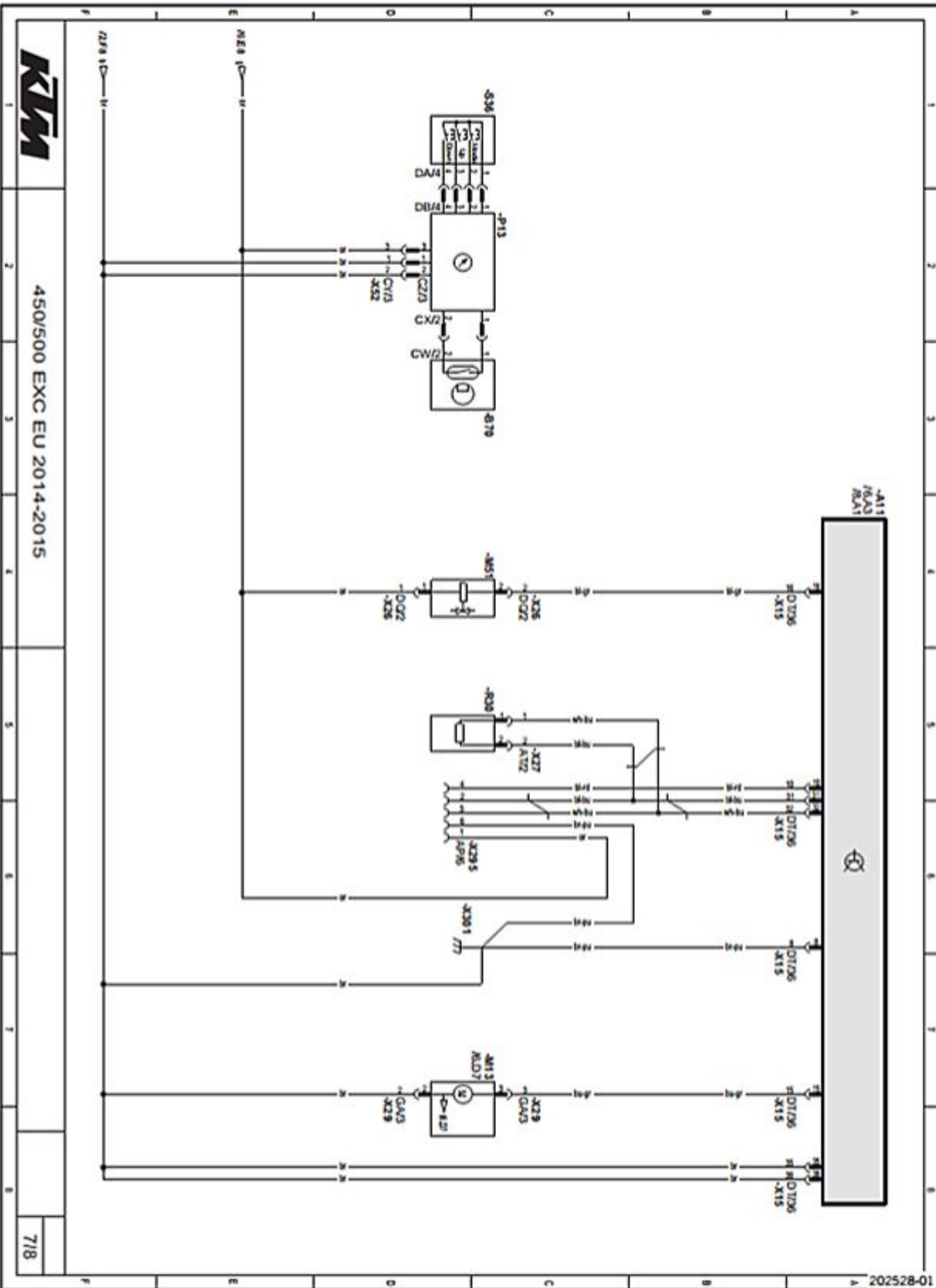
K20	Turn signal relay
P21	Turn signal indicator light
P41	Turn signal, front left
P42	Turn signal, front right
P45	Turn signal, rear left
P46	Turn signal, rear right
S25	Turn signal switch



Components:

A11	EFI control unit
B32	Fuel level sensor
B51	Lambda sensor (cylinder 1)
F1	Fuse
P31	FI warning lamp and low fuel warning lamp

29.7 Page 7 of 8 (EXC EU)

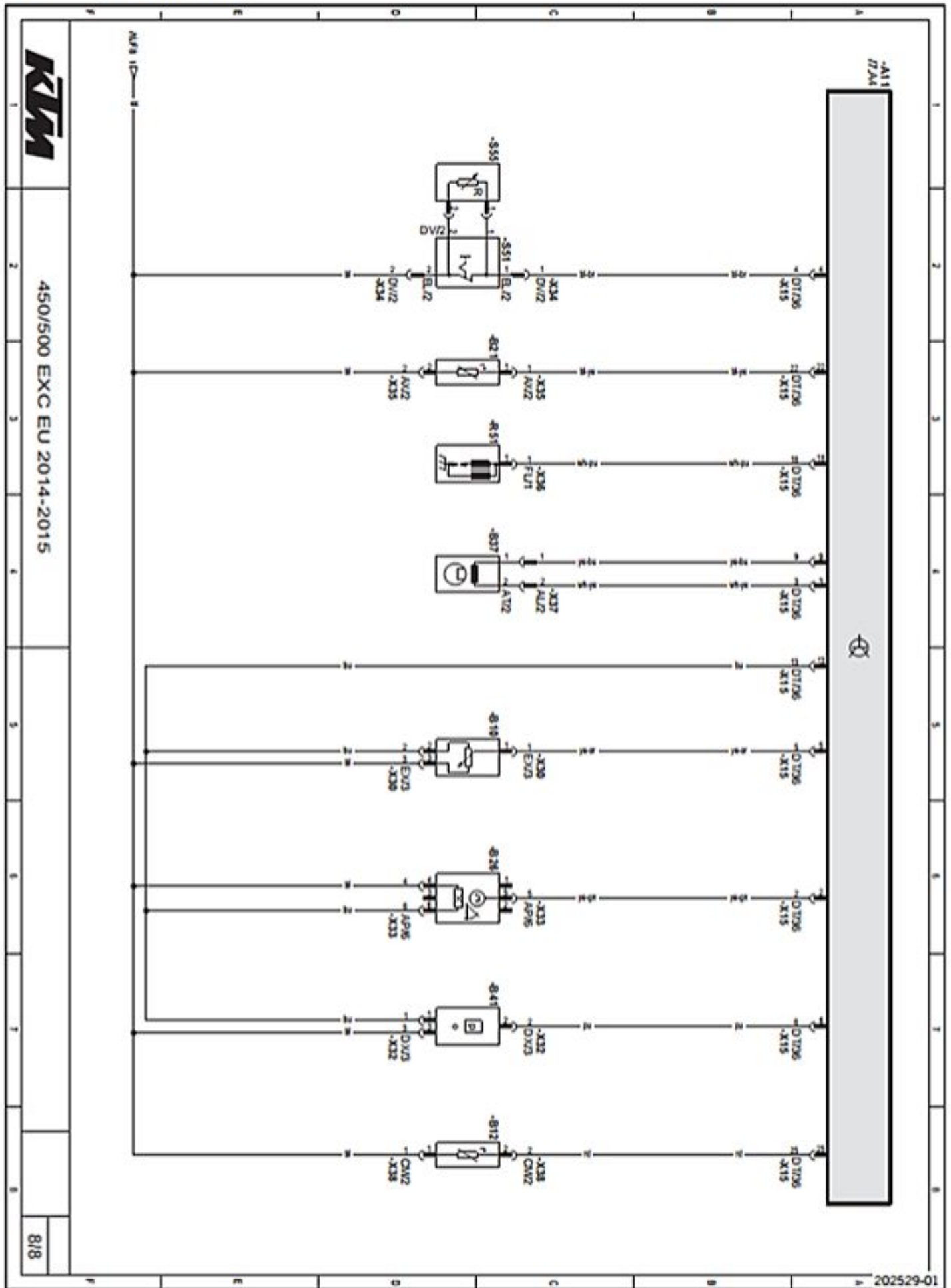


KTM

450/500 EXC EU 2014-2015

Components:

A11	EFI control unit
B70	Front wheel speed sensor
M13	Fuel pump
M51	Injector (cylinder 1)
R30	CAN-bus terminating resistor 1
P13	Speedometer
S36	Tripmaster switch
X295	Diagnostics connector



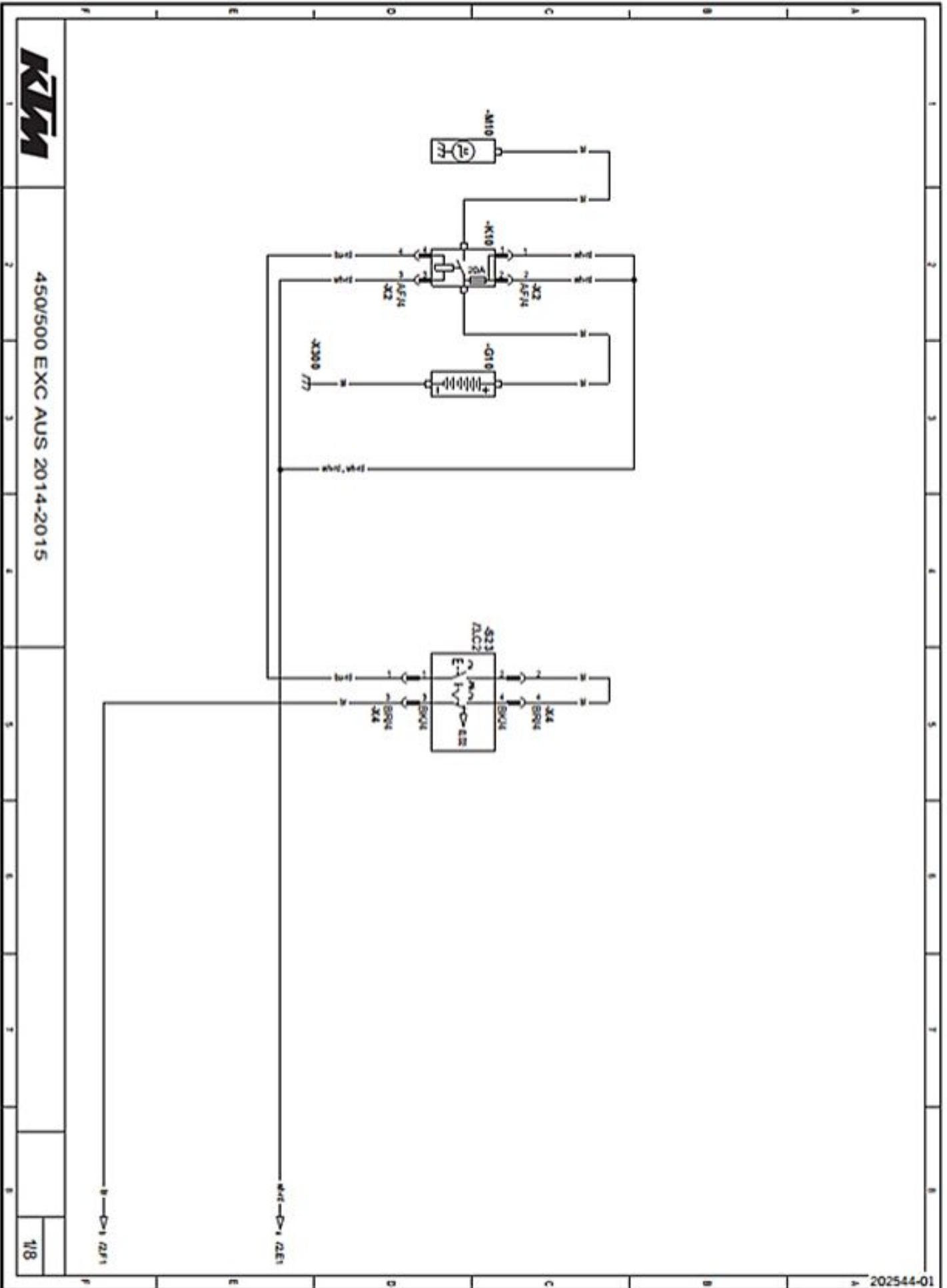
Components:

A11	EFI control unit
B10	Throttle position sensor circuit A
B12	Intake air temperature sensor
B21	Coolant temperature sensor (cylinder 1)
B26	Rollover sensor
B37	Crankshaft position sensor
B41	Manifold absolute pressure sensor (cylinder 1)
R51	Ignition coil (cylinder 1)
S51	Map-Select switch for ride mode (optional)
S55	Map-Select switch for basic position (optional)

Cable colors:

bl	Black
br	Brown
bu	Blue
gn	Green
gr	Gray
lbu	Light blue
or	Orange
pk	Pink
pu	Violet
rd	Red
wh	White
ye	Yellow

29.9 Page 1 of 8 (EXC AUS)



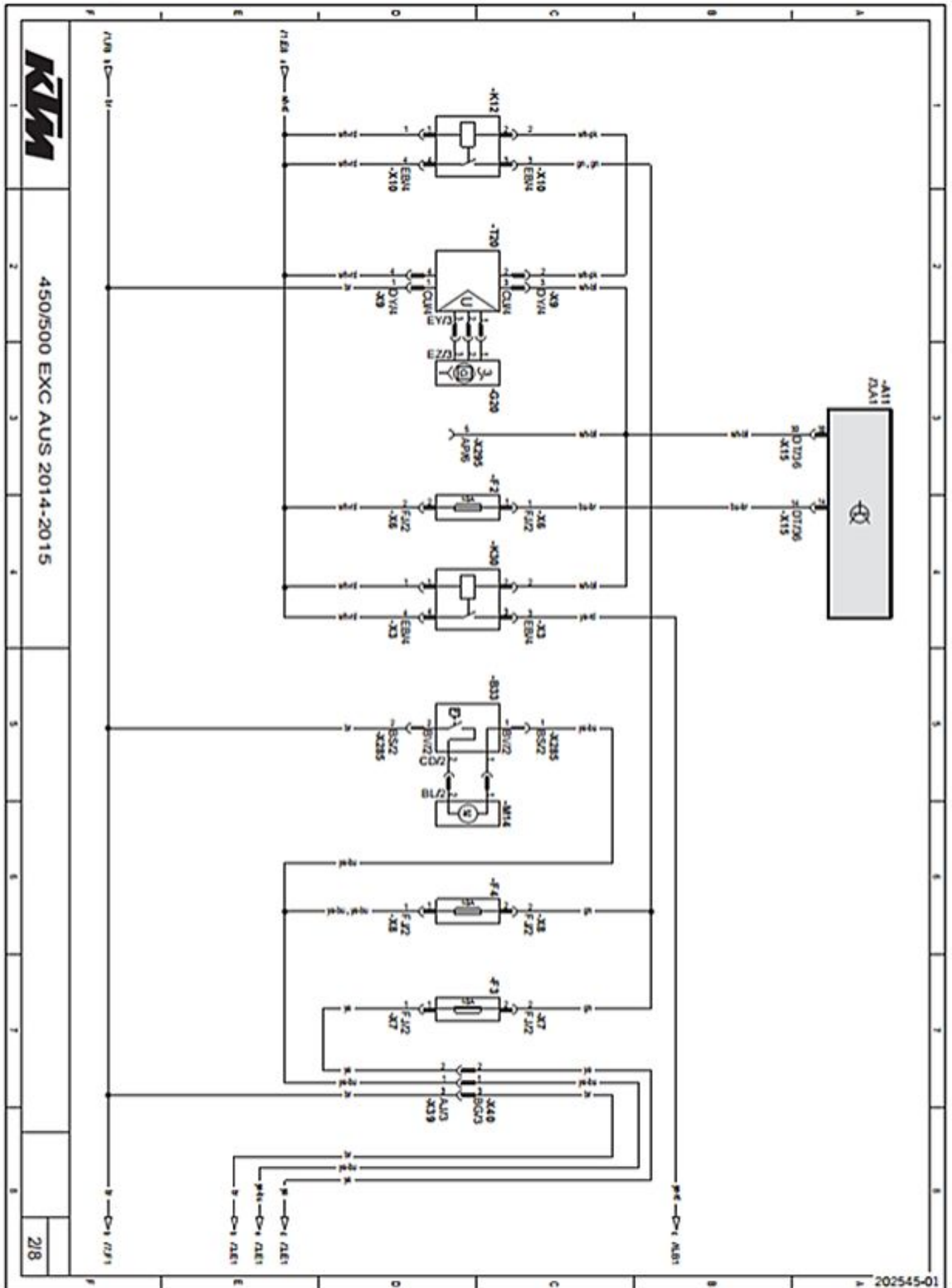
KTM

450/500 EXC AUS 2014-2015

Components:

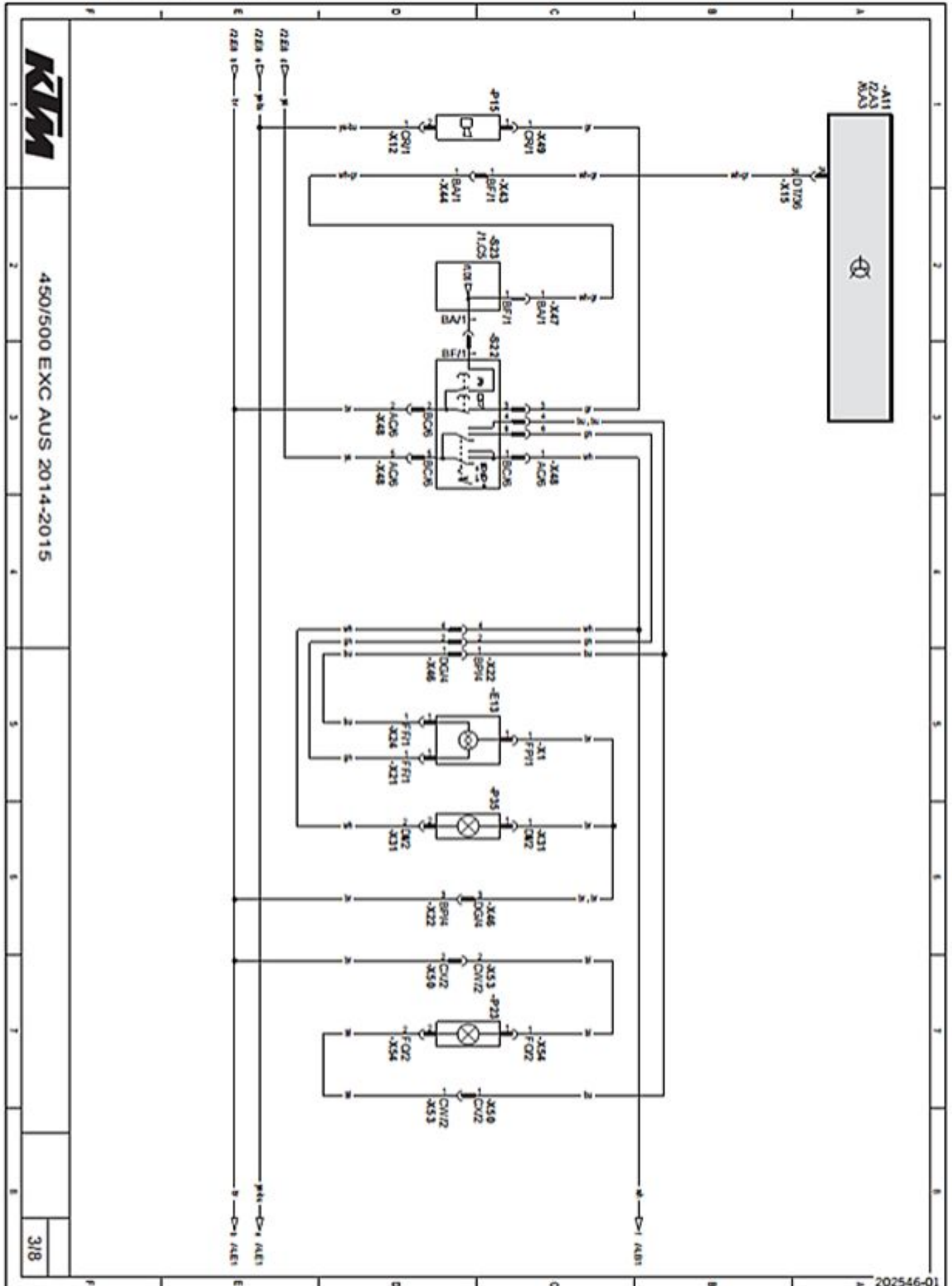
G10	Battery
K10	Starter relay with main fuse
M10	Starter motor
S23	Emergency OFF switch, electric starter button

29.10 Page 2 of 8 (EXC AUS)



Components:

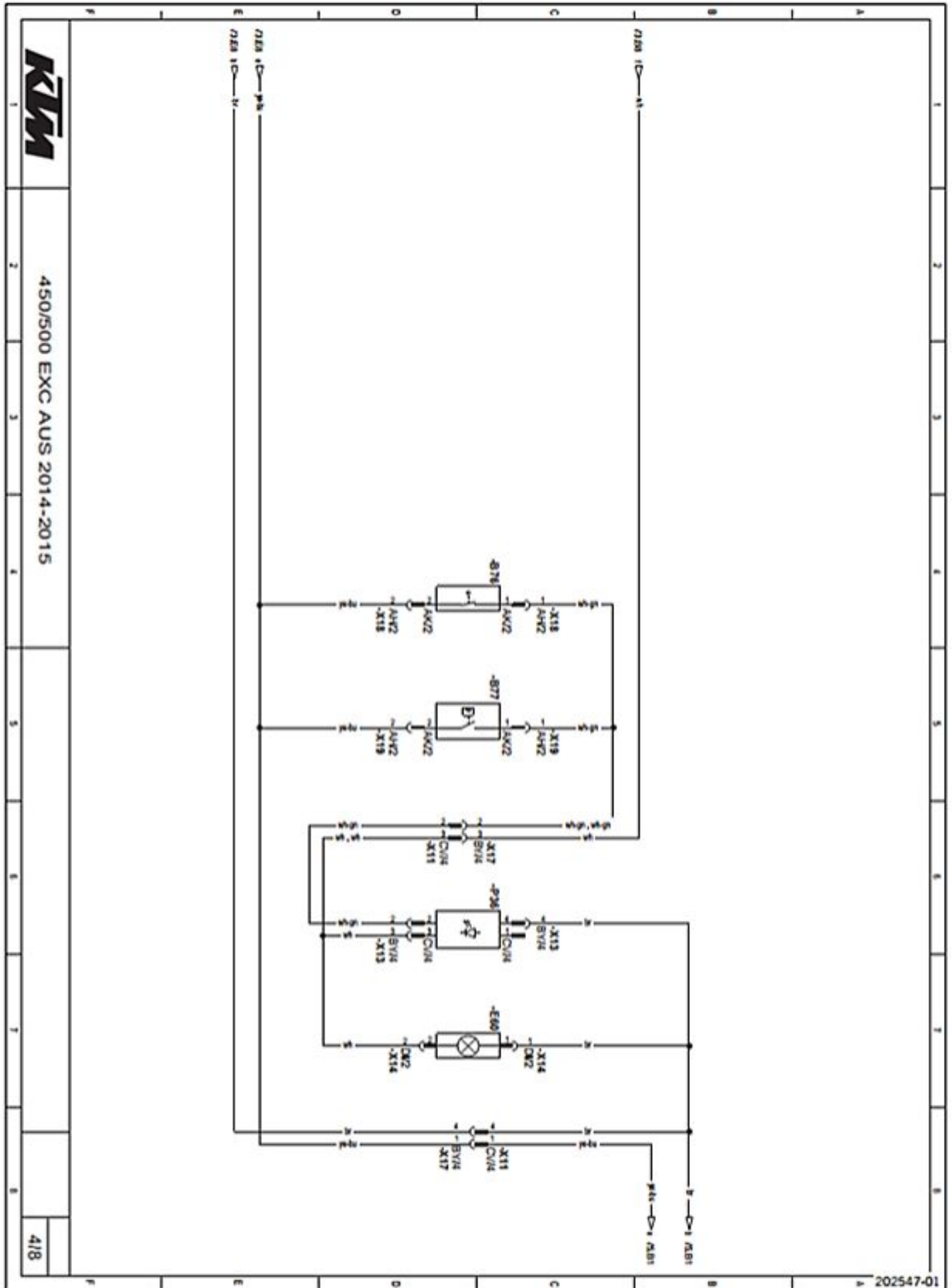
A11	EFI control unit
B33	Radiator fan temperature switch
F2	Fuse
F3	Fuse
F4	Fuse
G20	Alternator
K12	Light relay
K30	Power relay
M14	Radiator fan
T20	Voltage regulator
X295	Diagnostics connector



Components:

A11	EFI control unit
E13	Low beam, high beam
P15	Horn
P23	High beam indicator lamp
P35	Parking light
S22	Light switch, horn button, kill switch
S23	Emergency OFF switch, electric starter button

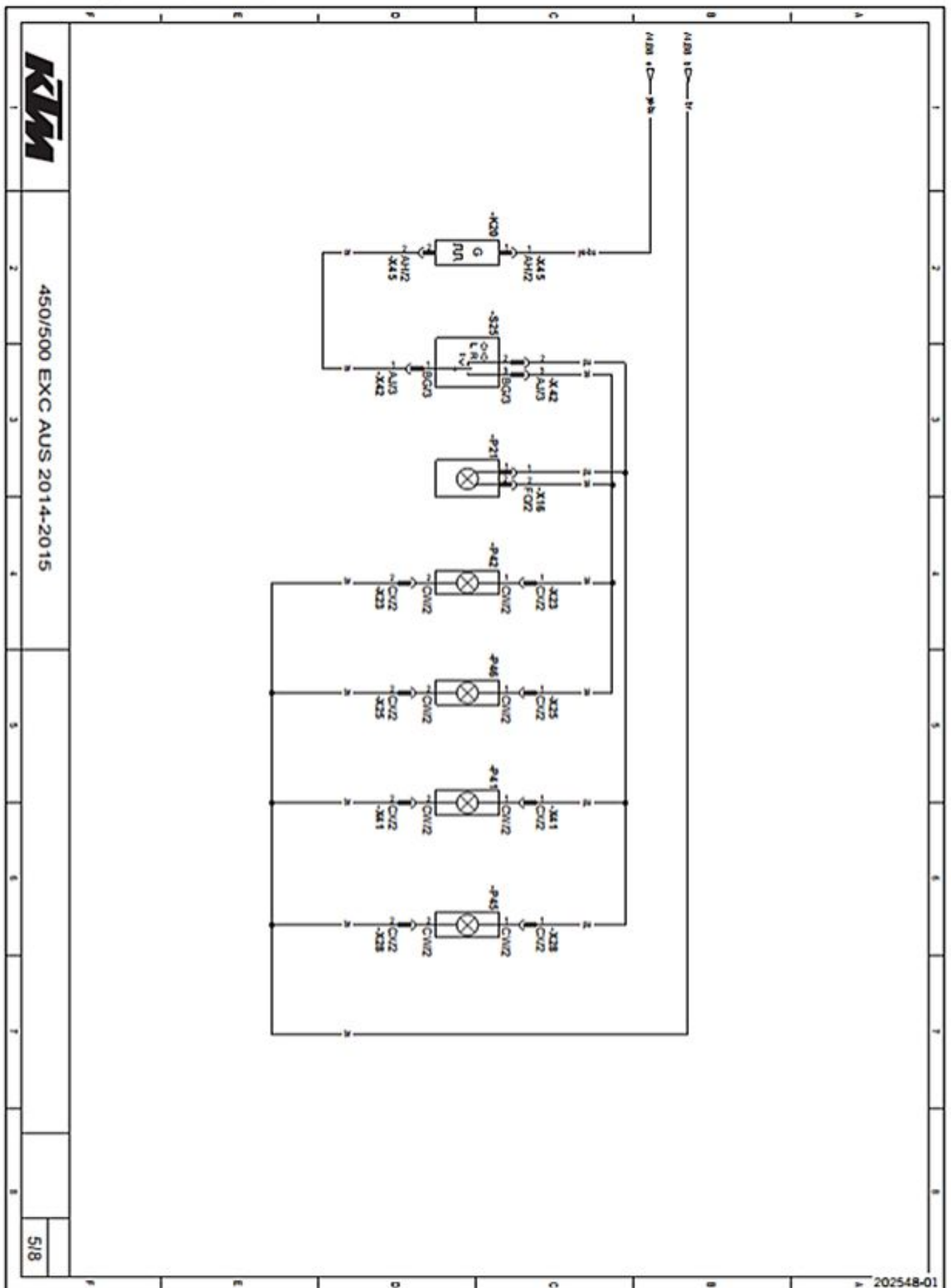
29.12 Page 4 of 8 (EXC AUS)



Components:

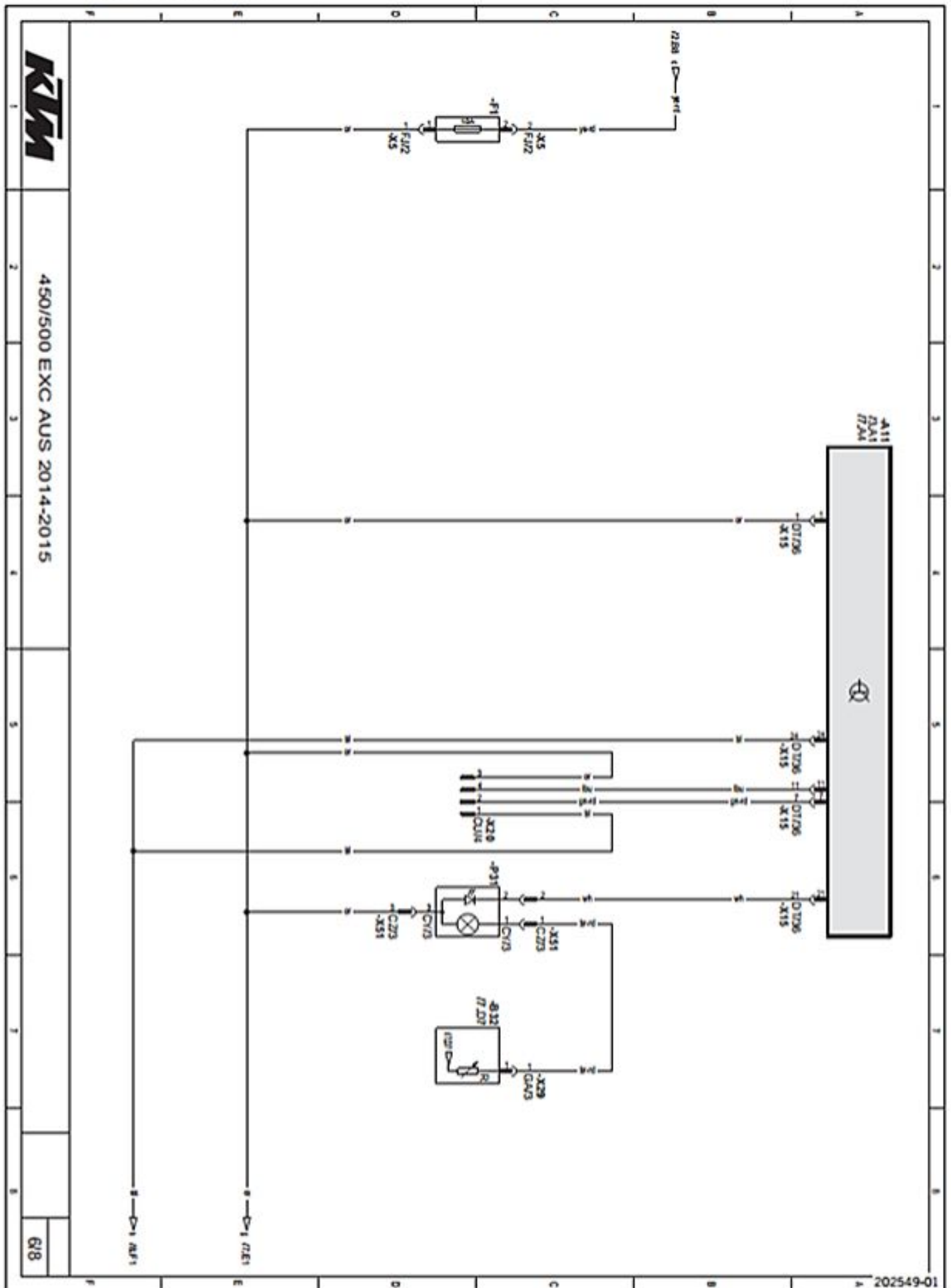
B76	Brake light switch, front
B77	Brake light switch, rear
E60	License plate lamp
P36	Brake/tail light

29.13 Page 5 of 8 (EXC AUS)



Components:

K20	Turn signal relay
P21	Turn signal indicator light
P41	Turn signal, front left
P42	Turn signal, front right
P45	Turn signal, rear left
P46	Turn signal, rear right
S25	Turn signal switch



KTM

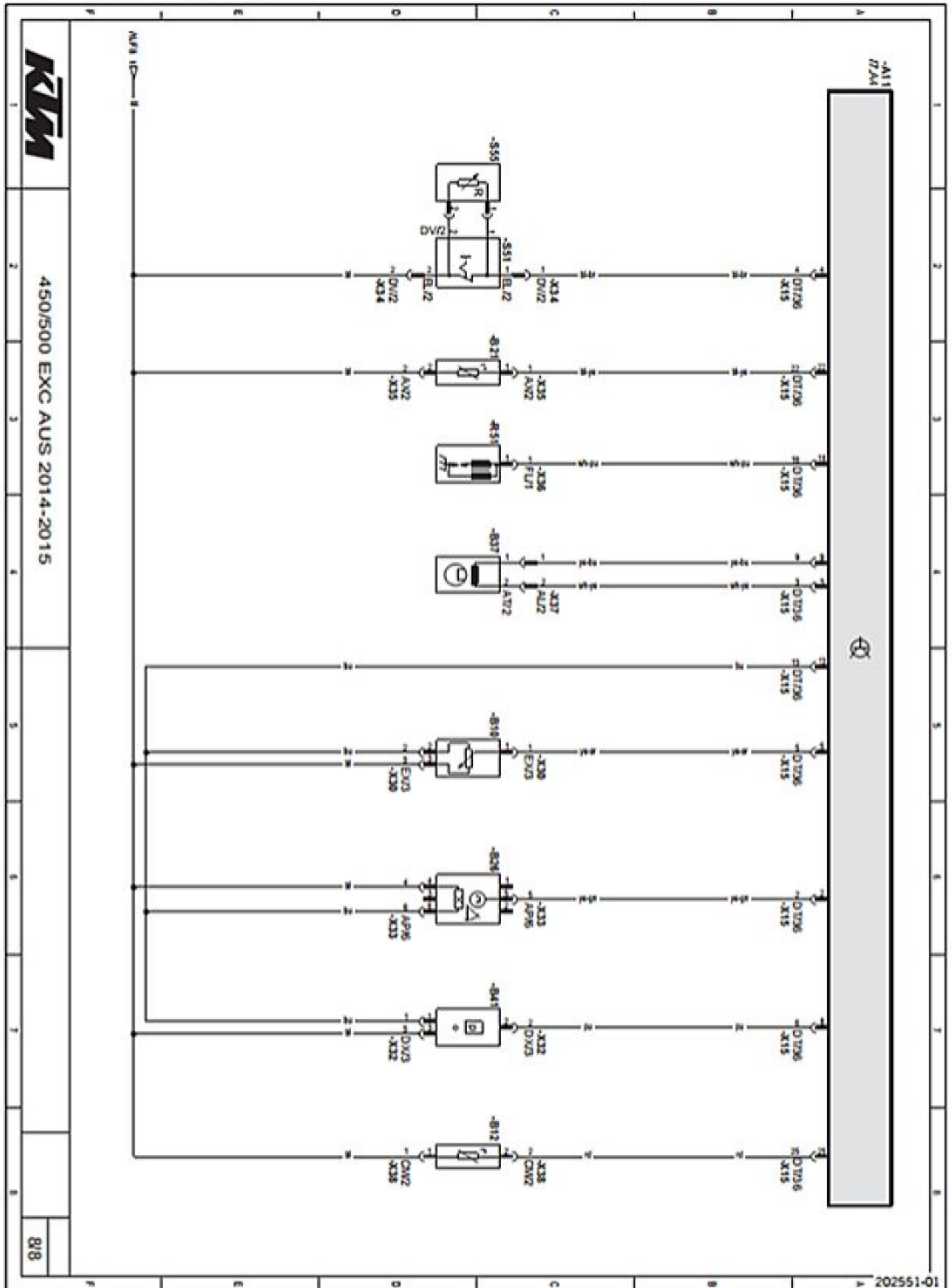
450/500 EXC AUS 2014-2015

Components:

A11	EFI control unit
B32	Fuel level sensor
F1	Fuse
P31	FI warning lamp and low fuel warning lamp

Components:

A11	EFI control unit
B70	Front wheel speed sensor
M13	Fuel pump
M51	Injector (cylinder 1)
R30	CAN-bus terminating resistor 1
P13	Speedometer
S36	Tripmaster switch
X295	Diagnostics connector



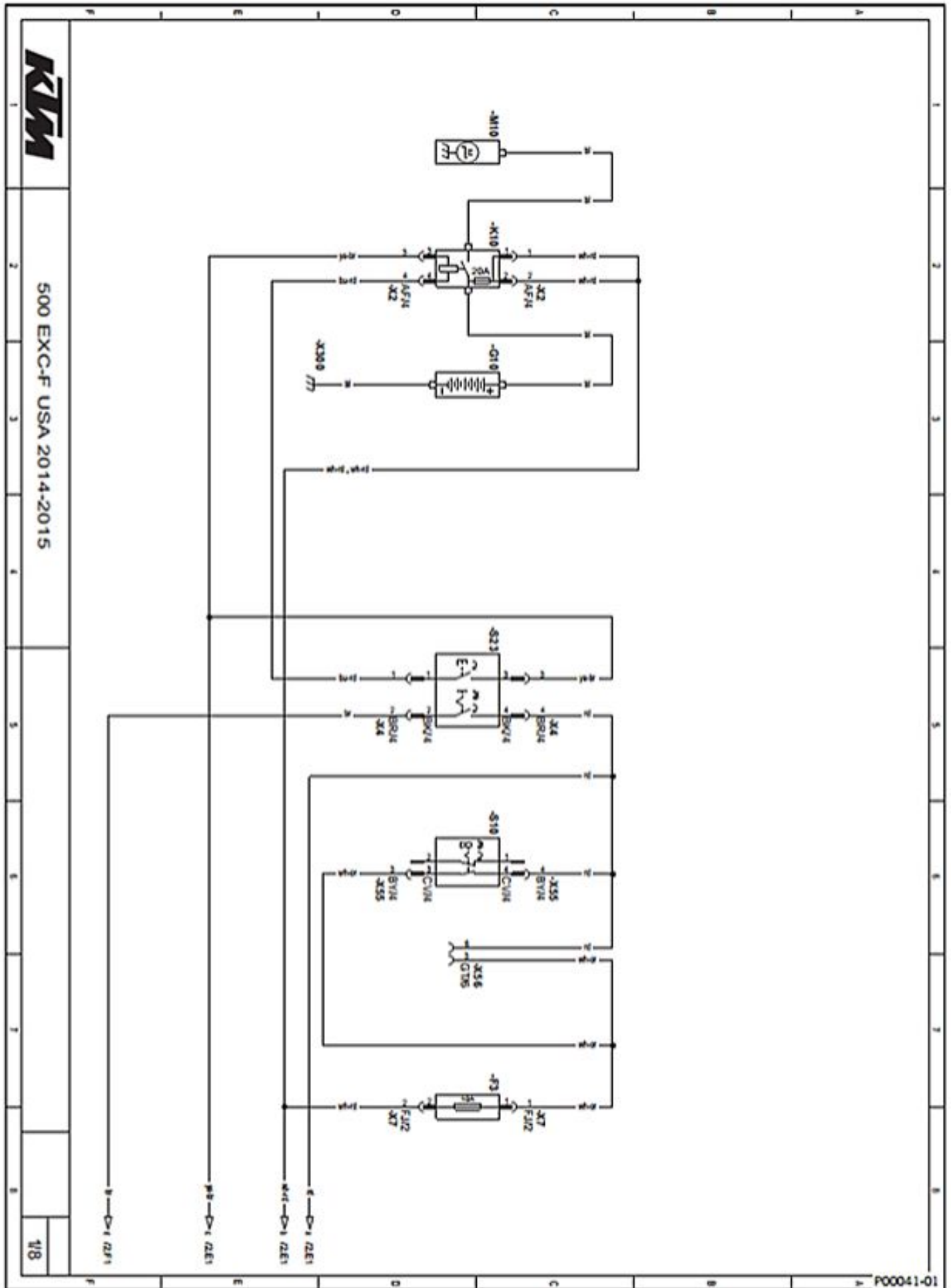
Components:

A11	EFI control unit
B10	Throttle position sensor circuit A
B12	Intake air temperature sensor
B21	Engine coolant temperature sensor (cylinder 1)
B26	Rollover sensor
B37	Ignition pulse generator
B41	Manifold absolute pressure sensor (cylinder 1)
R51	Ignition coil (cylinder 1)
S51	Map-Select switch for riding mode (optional)
S55	Map-Select switch for basic setting (optional)

Cable colors:

bl	Black
br	Brown
bu	Blue
gn	Green
gr	Gray
lbu	Light blue
or	Orange
pk	Pink
pu	Violet
rd	Red
wh	White
ye	Yellow

29.17 Page 1 of 8 (EXC USA)

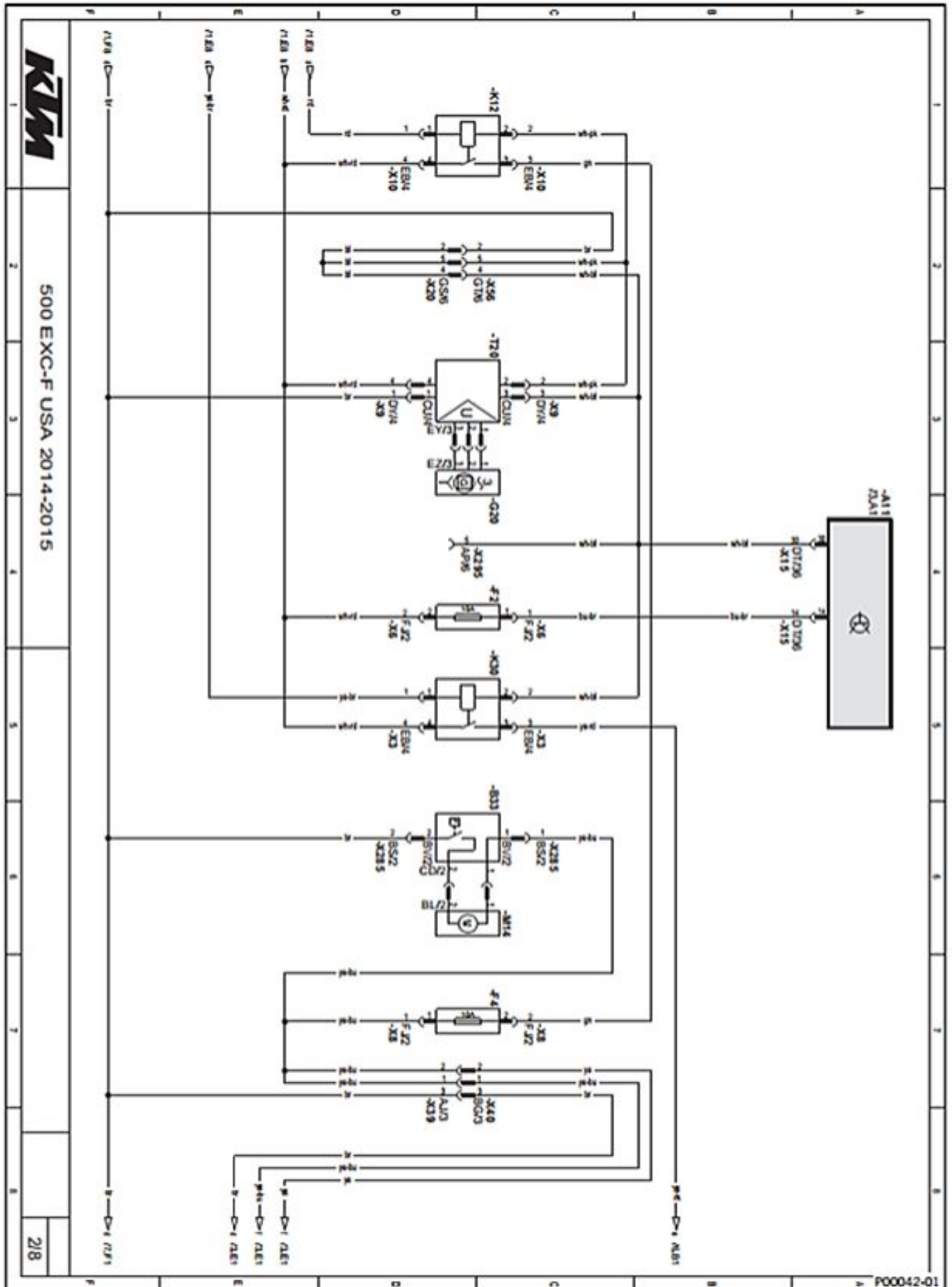


500 EXC-F USA 2014-2015

Components:

F3	Fuse
G10	Battery
K10	Starter relay with main fuse
M10	Starter motor
S10	Ignition lock
S23	Emergency OFF switch, electric starter button

29.18 Page 2 of 8 (EXC USA)



Components:

A11	EFI control unit
B33	Radiator fan temperature switch
F2	Fuse
F4	Fuse
G20	Alternator
K12	Light relay
K30	Power relay
M14	Radiator fan
T20	Voltage regulator
X295	Diagnostics connector

Components:

A11	EFI control unit
E13	Low beam, high beam
P15	Horn
P23	High beam indicator lamp
P35	Parking light
S29	Light switch, horn button, turn signal switch

Components:

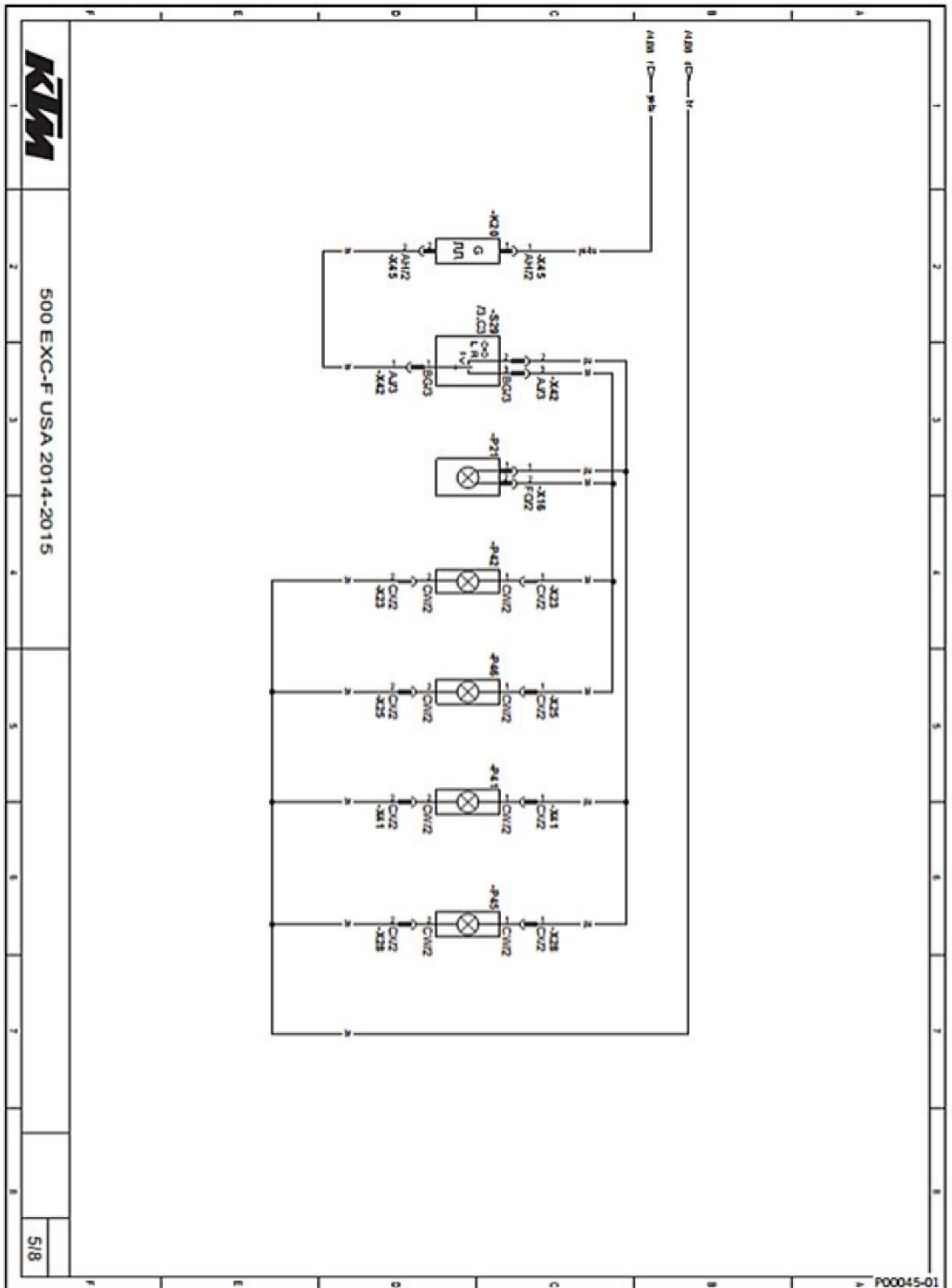
B76	Front brake light switch
-----	--------------------------

B77	Rear brake light switch
-----	-------------------------

E60	License plate lamp
-----	--------------------

P36	Brake/tail light
-----	------------------

29.21 Page 5 of 8 (EXC USA)

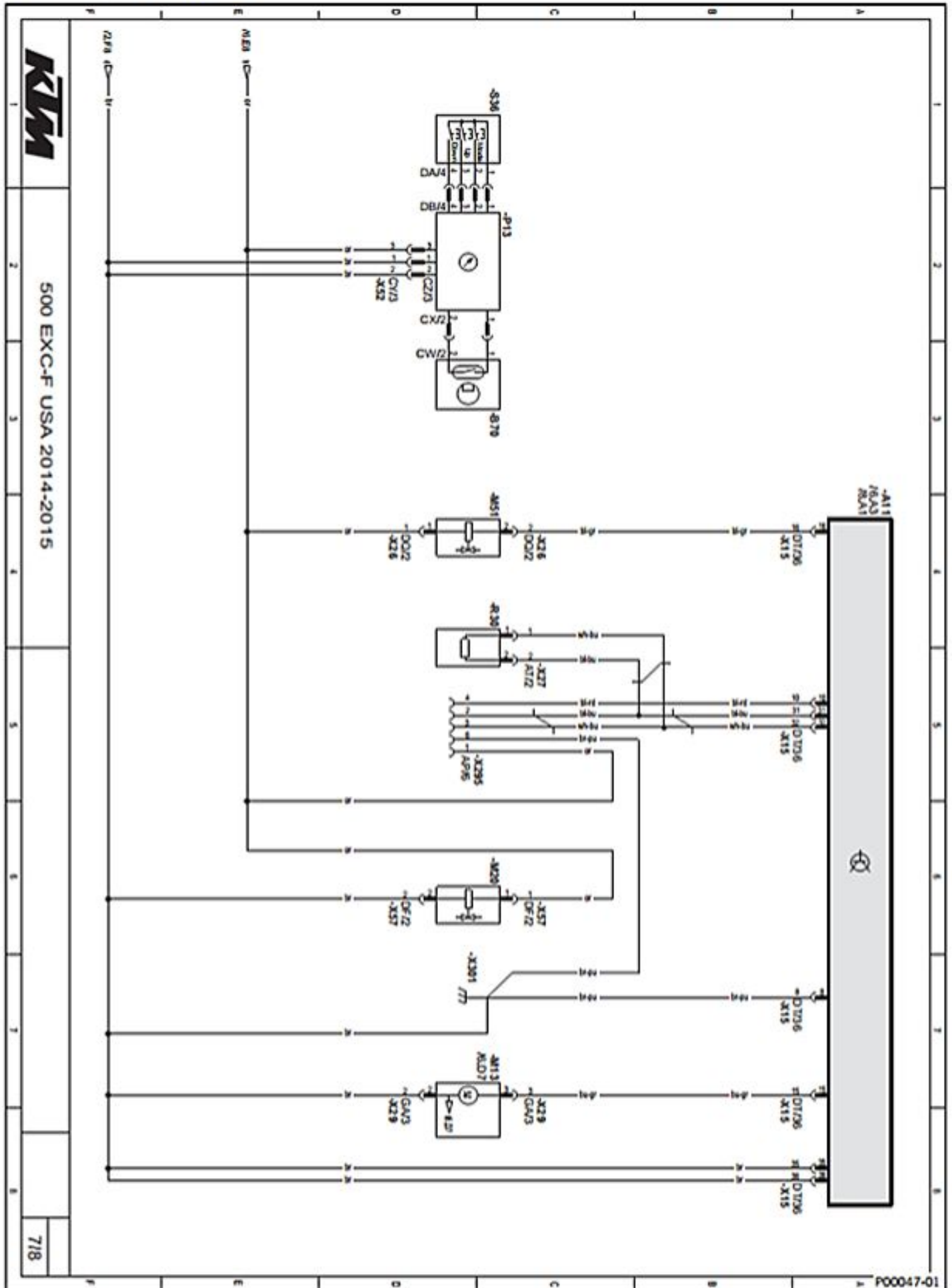


Components:

K20	Turn signal relay
P21	Turn signal switch
P41	Turn signal, front left
P42	Turn signal, front right
P45	Turn signal, rear left
P46	Turn signal, rear right
S29	Light switch, horn button, turn signal switch

Components:

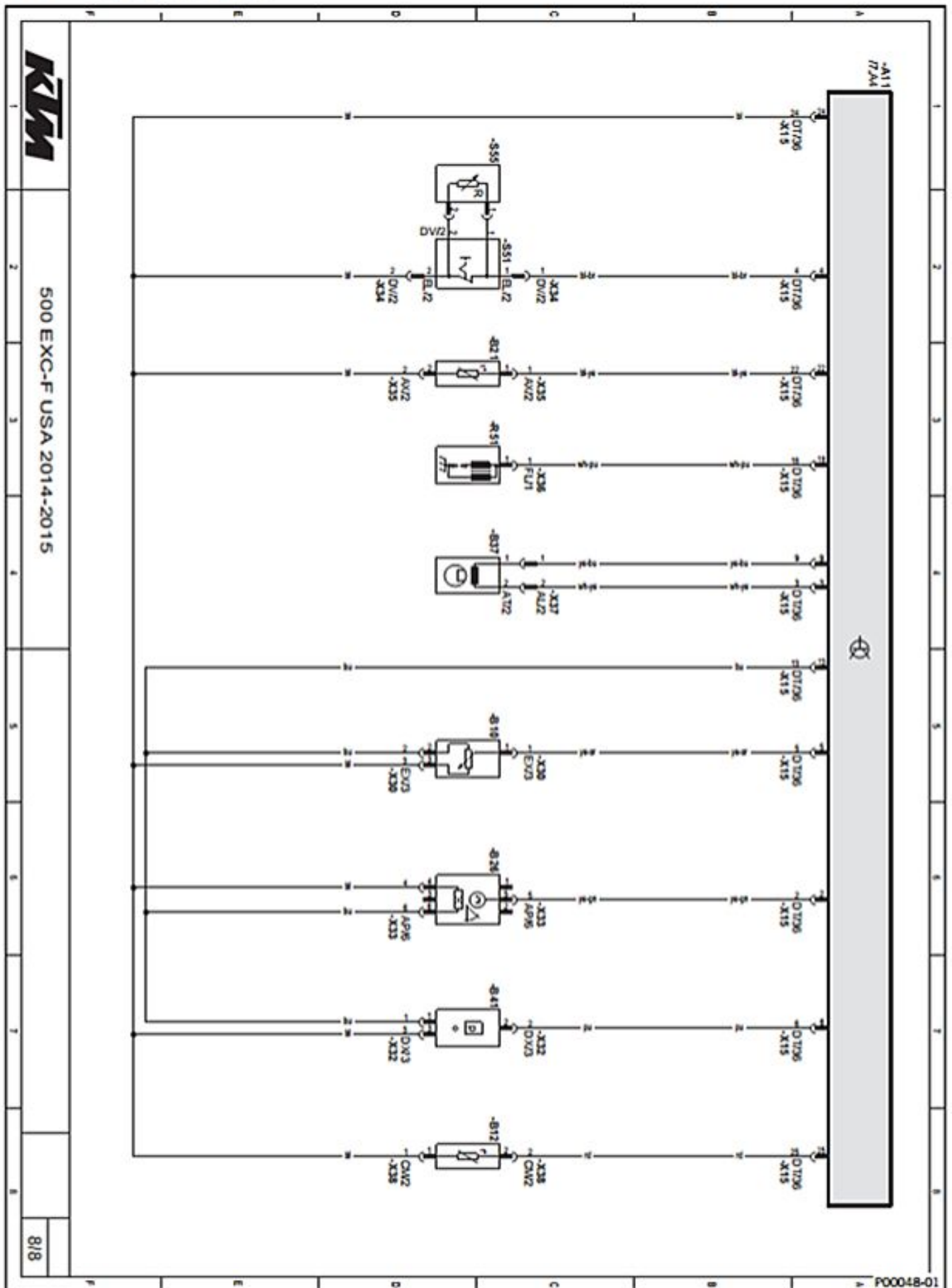
A11	EFI control unit
B32	Fuel level sensor
F1	Fuse
P31	FI warning lamp and low fuel warning lamp



500 EXC-F USA 2014-2015

Components:

A11	EFI control unit
B70	Front wheel speed sensor
M13	Fuel pump
M20	Fuel evaporation valve
M51	Injector cylinder 1
P13	Speedometer
S36	Tripmaster switch
R30	CAN-bus terminating resistor 1
X295	Diagnostics connector



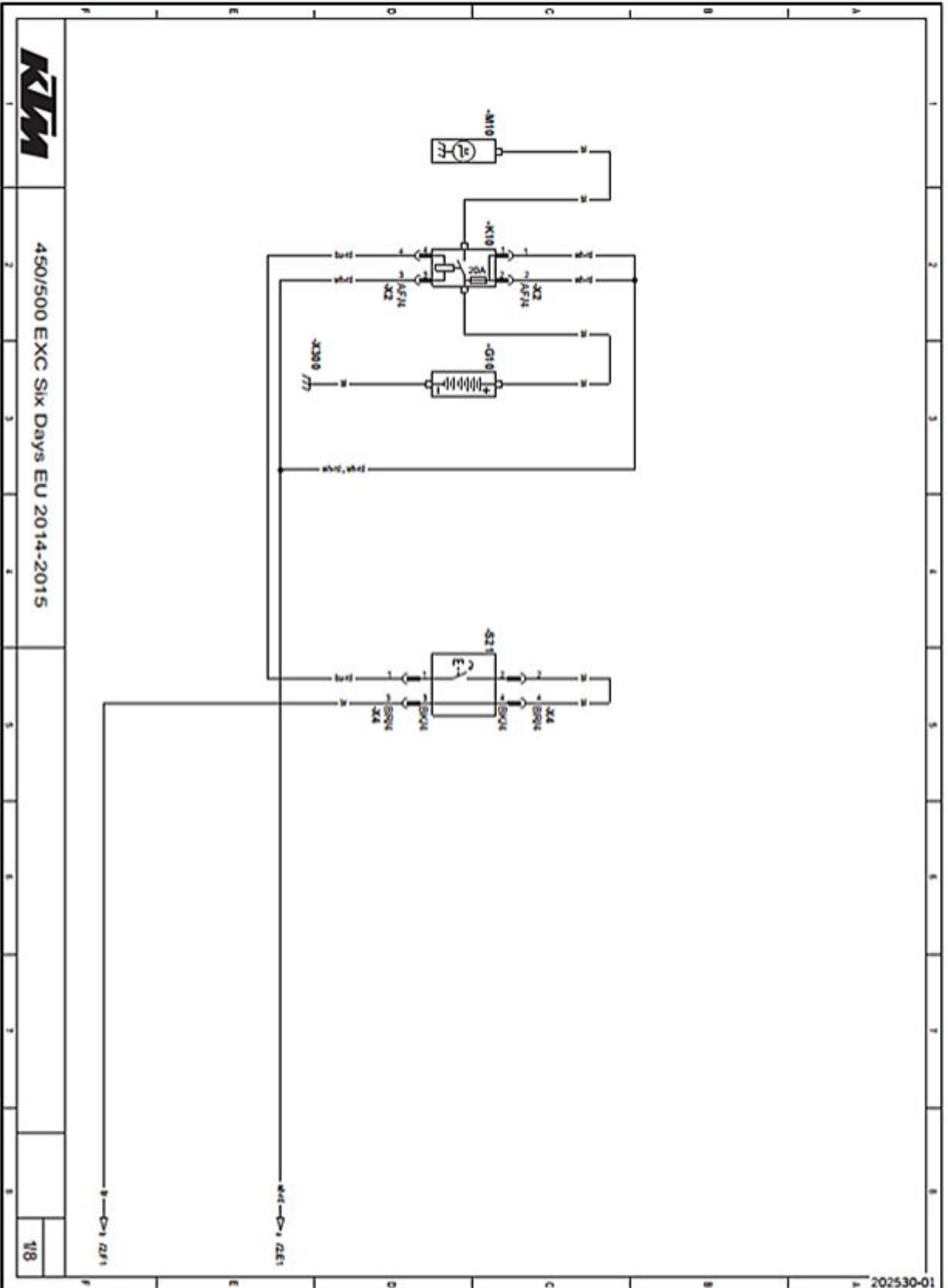
Components:

A11	EFI control unit
B10	Throttle position sensor circuit A
B12	Intake air temperature sensor
B21	Engine coolant temperature sensor (cylinder 1)
B26	Rollover sensor
B37	Ignition pulse generator
B41	Manifold absolute pressure sensor (cylinder 1)
R51	Ignition coil (cylinder 1)
S51	Map-Select switch for riding mode (optional)
S55	Map-Select switch for basic setting (optional)

Cable colors:

bl	Black
br	Brown
bu	Blue
gn	Green
gr	Gray
lbu	Light blue
or	Orange
pk	Pink
pu	Violet
rd	Red
wh	White
ye	Yellow

29.25 Page 1 of 8 (EXC SIX DAYS)

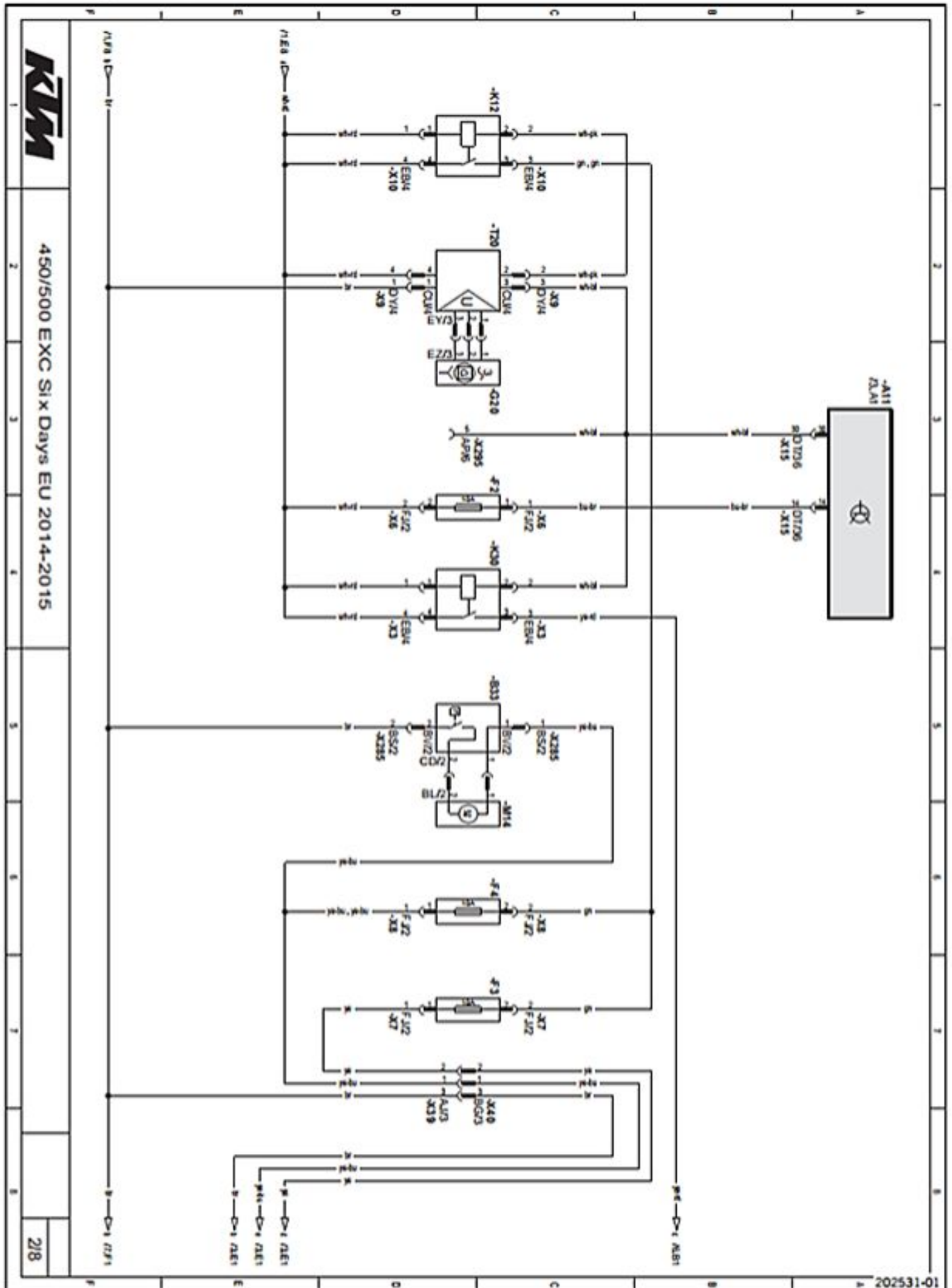


KTM

450/500 EXC Six Days EU 2014-2015

Components:

G10	Battery
K10	Starter relay with main fuse
M10	Starter motor
S21	Electric starter button



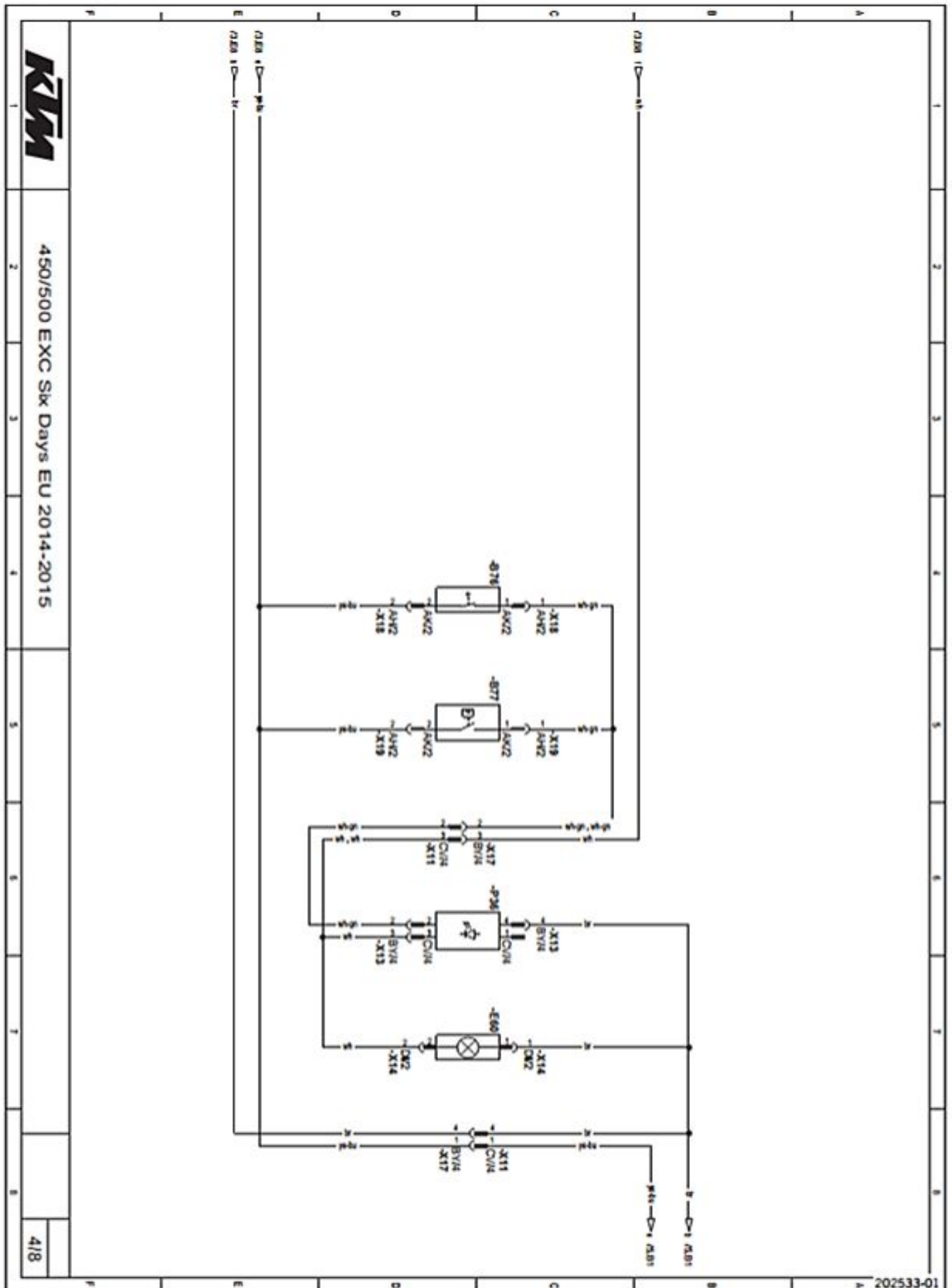
Components:

A11	EFI control unit
B33	Radiator fan temperature switch
F2	Fuse
F3	Fuse
F4	Fuse
G20	Alternator
K12	Light relay
K30	Power relay
M14	Radiator fan
T20	Voltage regulator
X295	Diagnostics connector

Components:

A11	EFI control unit
E13	Low beam, high beam
P13	Speedometer
P15	Horn
P35	Parking light
S22	Light switch, horn button, kill switch

29.28 Page 4 of 8 (EXC SIX DAYS)



450/500 EXC Six Days EU 2014-2015

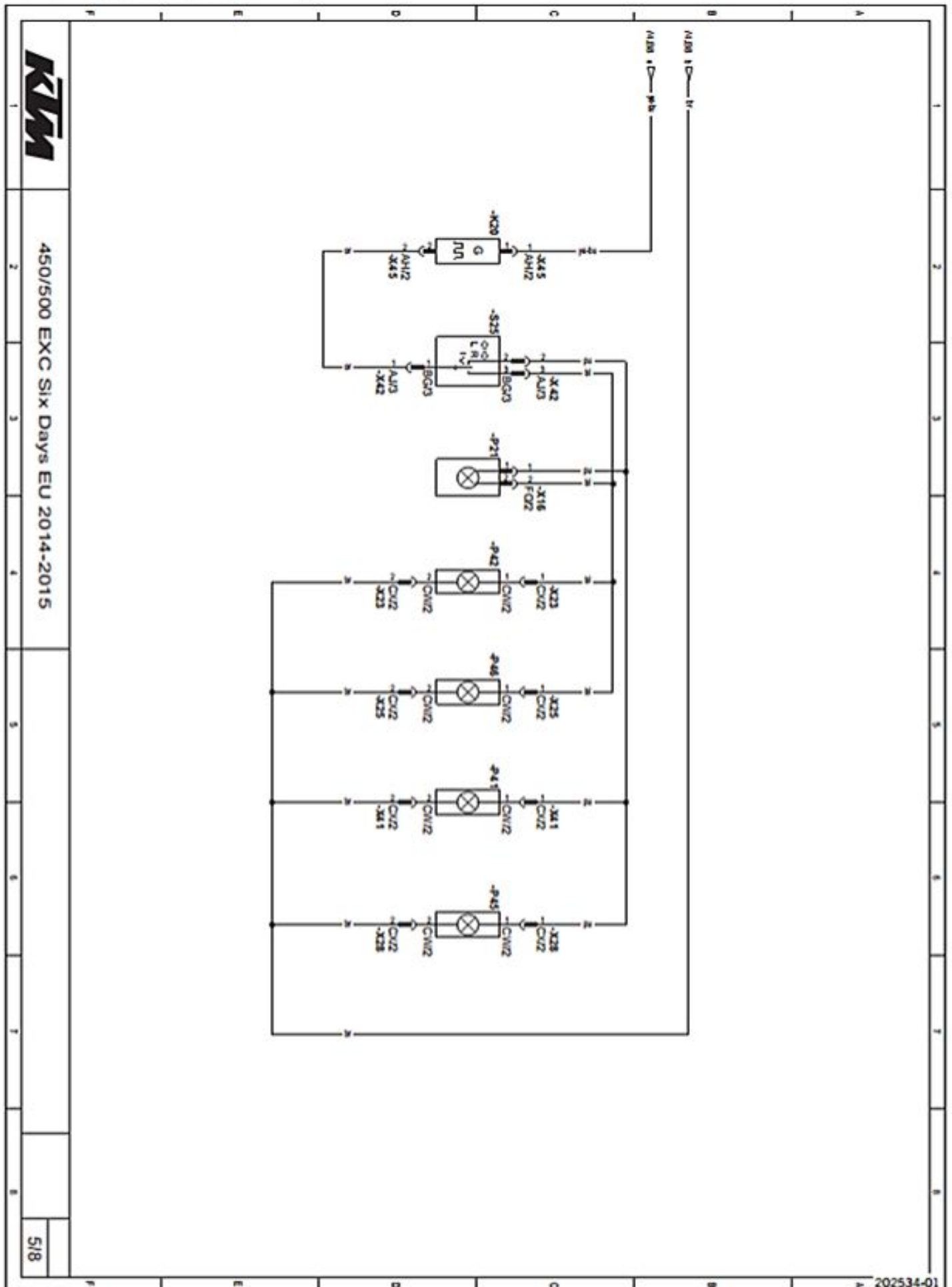
Components:

B76	Front brake light switch
-----	--------------------------

B77	Rear brake light switch
-----	-------------------------

E60	License plate lamp
-----	--------------------

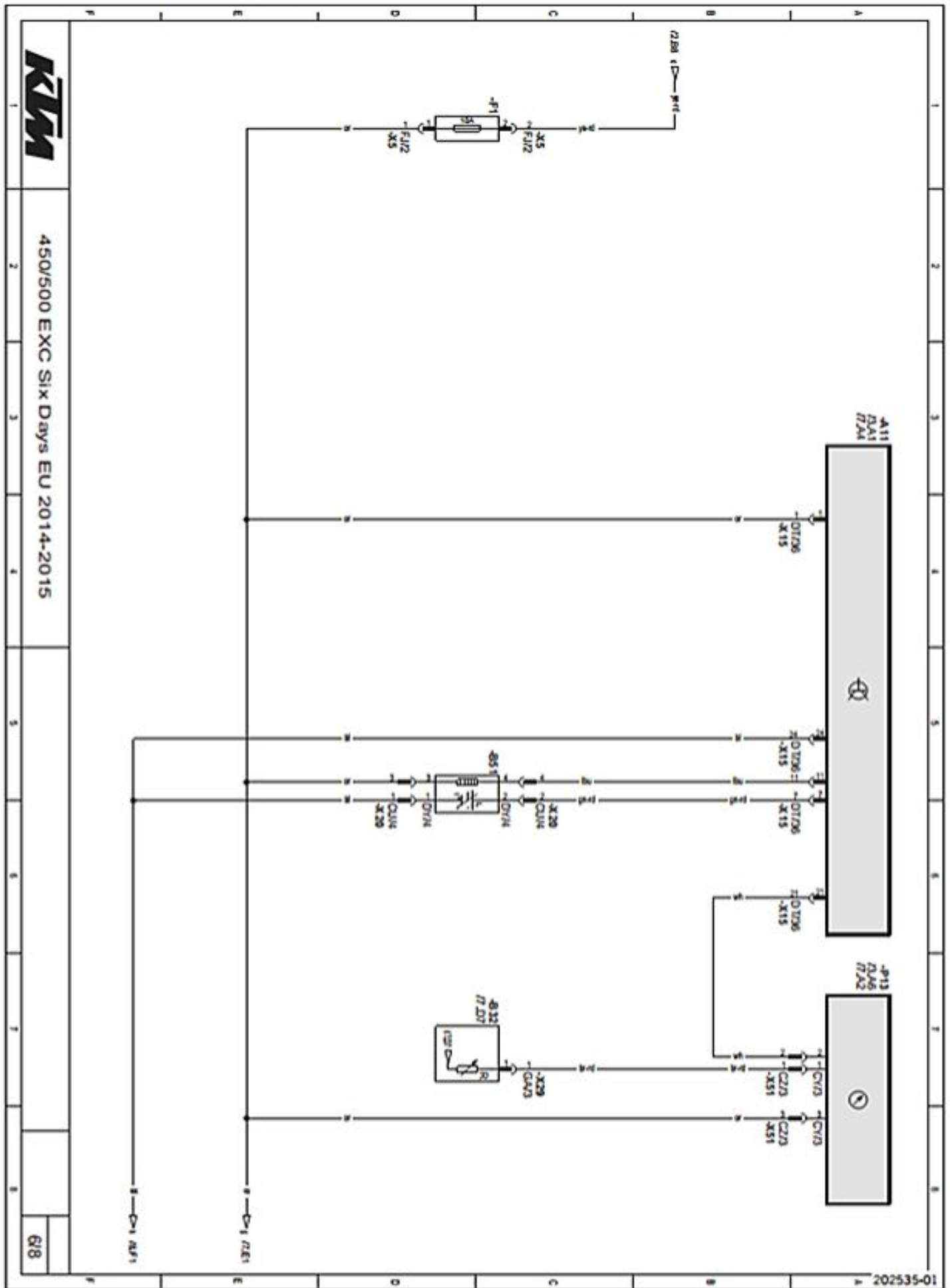
P36	Brake/tail light
-----	------------------



450/500 EXC Six Days EU 2014-2015

Components:

K20	Turn signal relay
P21	Turn signal indicator light
P41	Turn signal, front left
P42	Turn signal, front right
P45	Turn signal, rear left
P46	Turn signal, rear right
S25	Turn signal switch



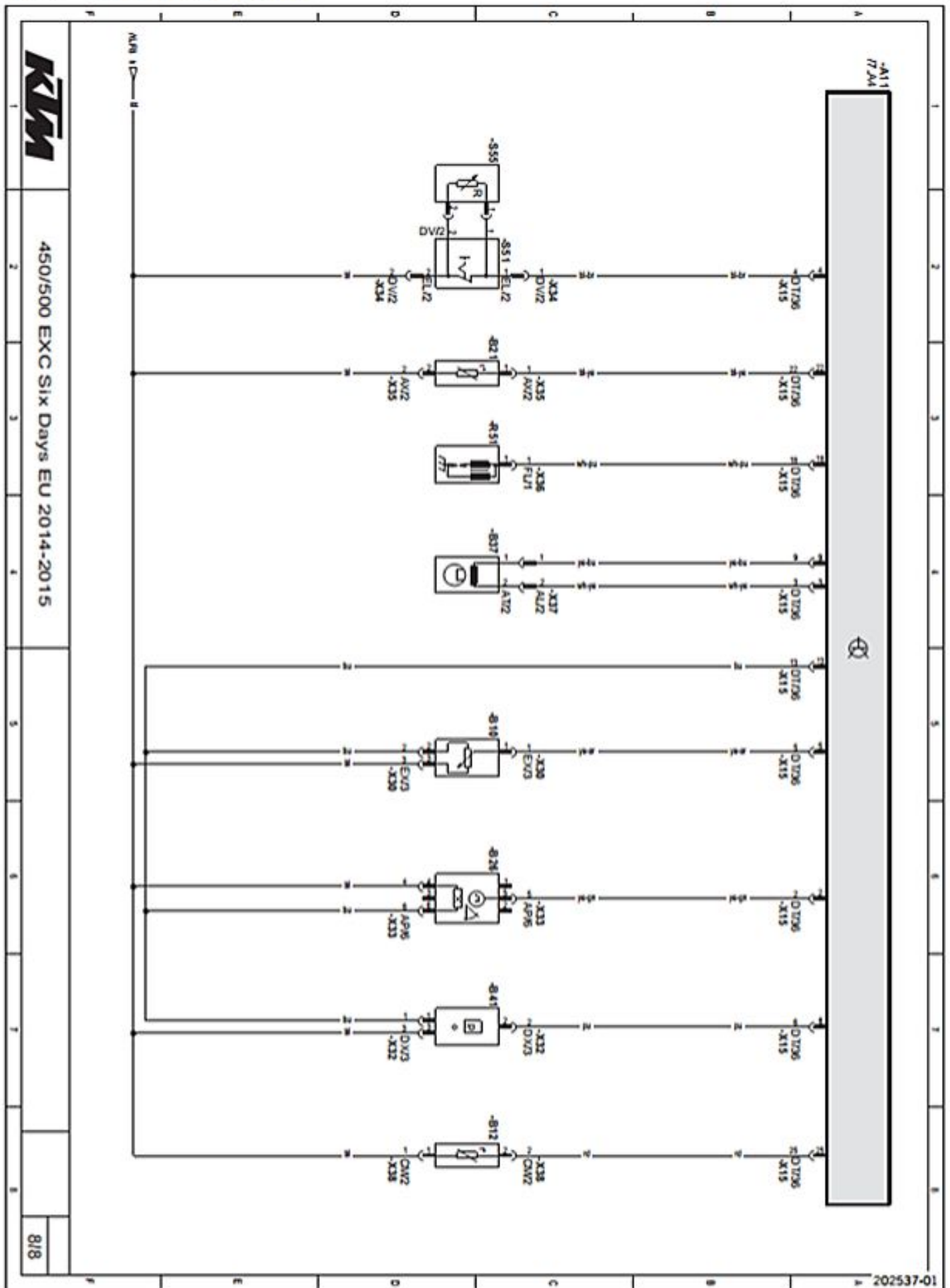
Components:

A11	EFI control unit
B32	Fuel level sensor
B51	Lambda sensor (cylinder 1)
F1	Fuse
P13	Speedometer

Components:

A11	EFI control unit
M13	Fuel pump
M51	Injector (cylinder 1)
R30	CAN-bus terminating resistor 1
P13	Speedometer
X295	Diagnostics connector

29.32 Page 8 of 8 (EXC SIX DAYS)



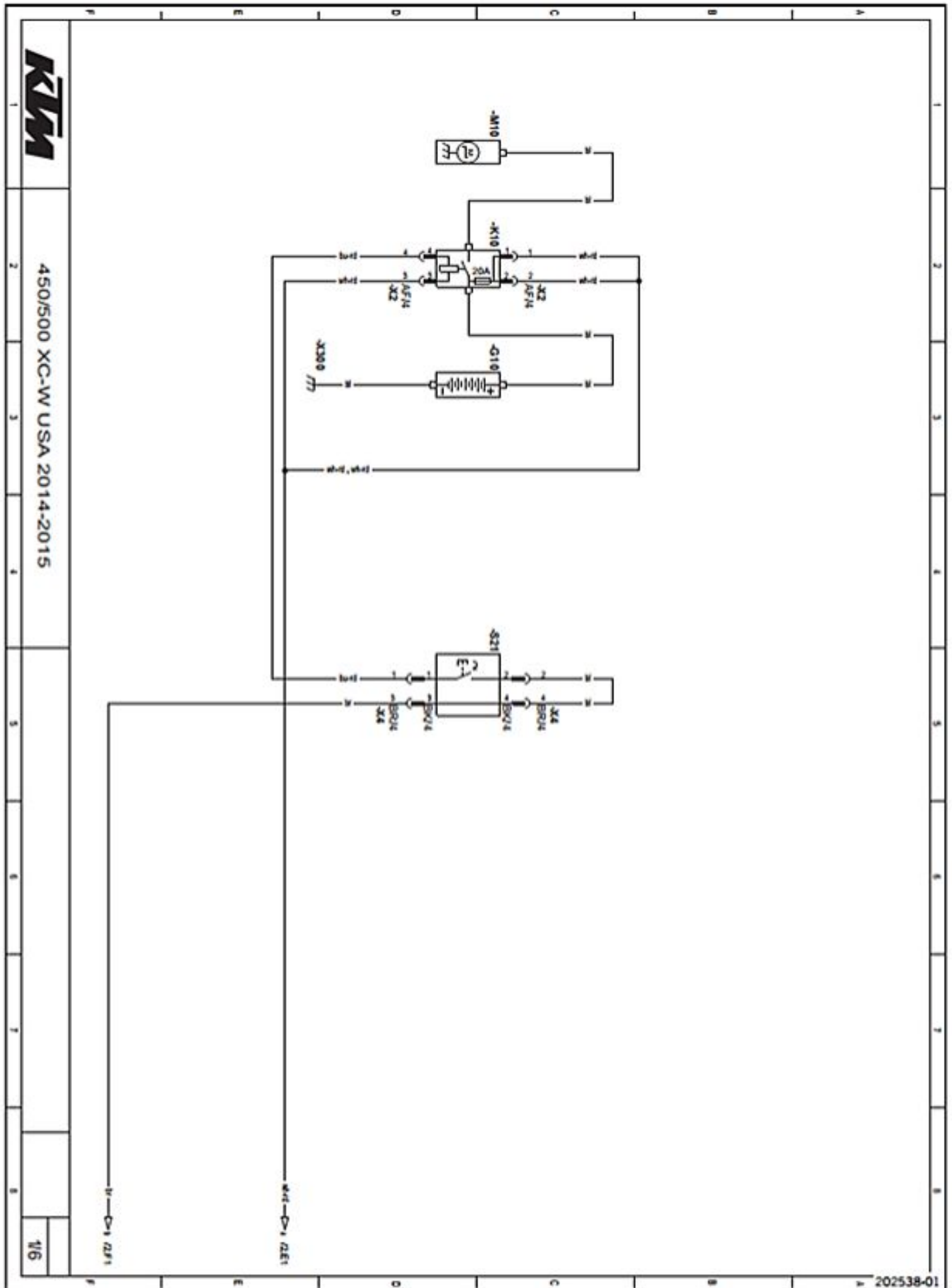
Components:

A11	EFI control unit
B10	Throttle position sensor circuit A
B12	Intake air temperature sensor
B21	Engine coolant temperature sensor (cylinder 1)
B26	Rollover sensor
B37	Crankshaft position sensor
B41	Manifold absolute pressure sensor (cylinder 1)
R51	Ignition coil (cylinder 1)
S51	Map-Select switch for driving mode (optional)
S55	Map-Select switch for basic position (optional)

Cable colors:

bl	Black
br	Brown
bu	Blue
gn	Green
gr	Gray
lbu	Light blue
or	Orange
pk	Pink
pu	Violet
rd	Red
wh	White
ye	Yellow

29.33 Page 1 of 6 (XC-W)



KTM

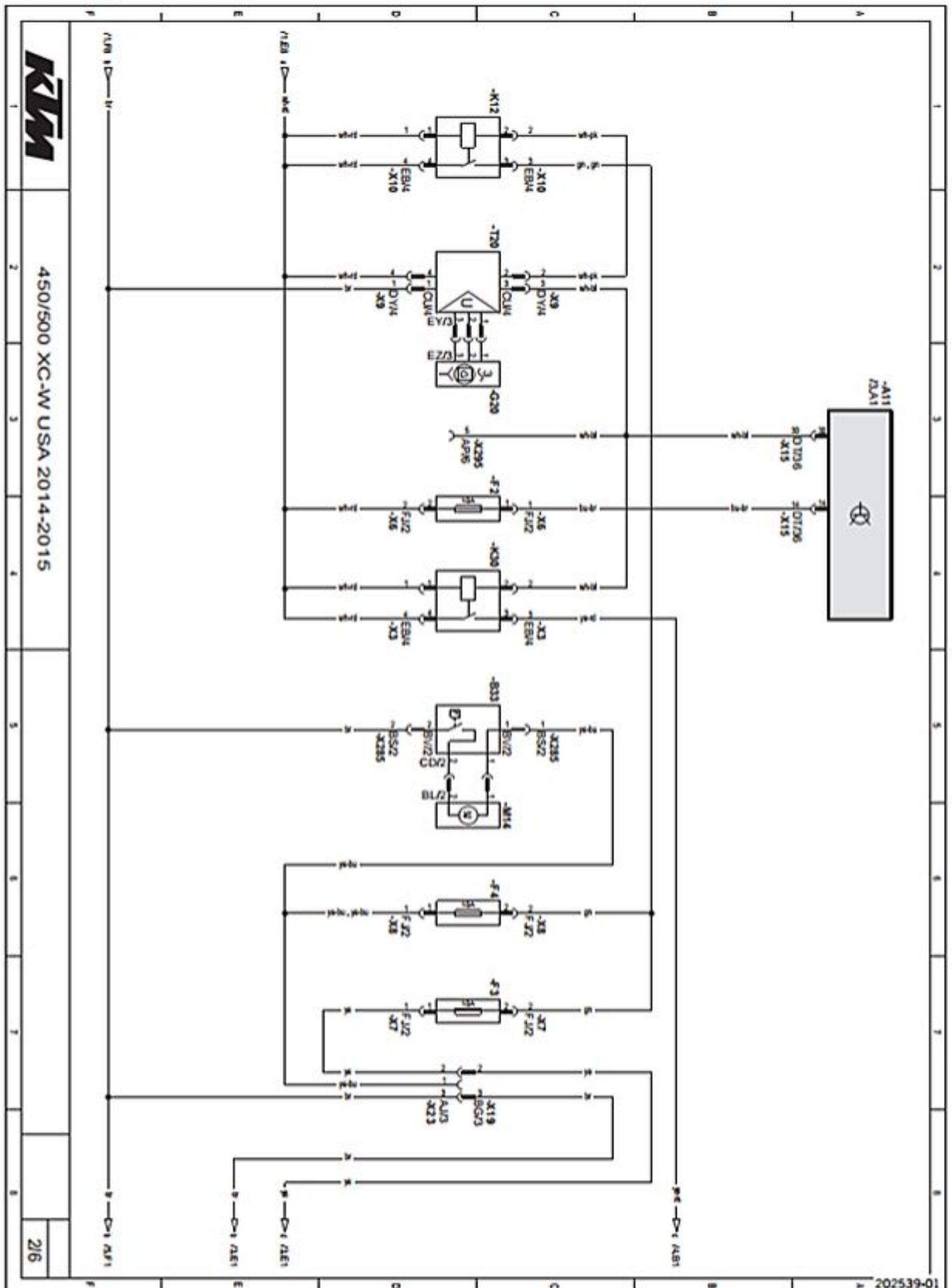
450/500 XC-W USA 2014-2015

1/6

Components:

G10	Battery
K10	Starter relay with main fuse
M10	Starter motor
S21	Electric starter button

29.34 Page 2 of 6 (XC-W)

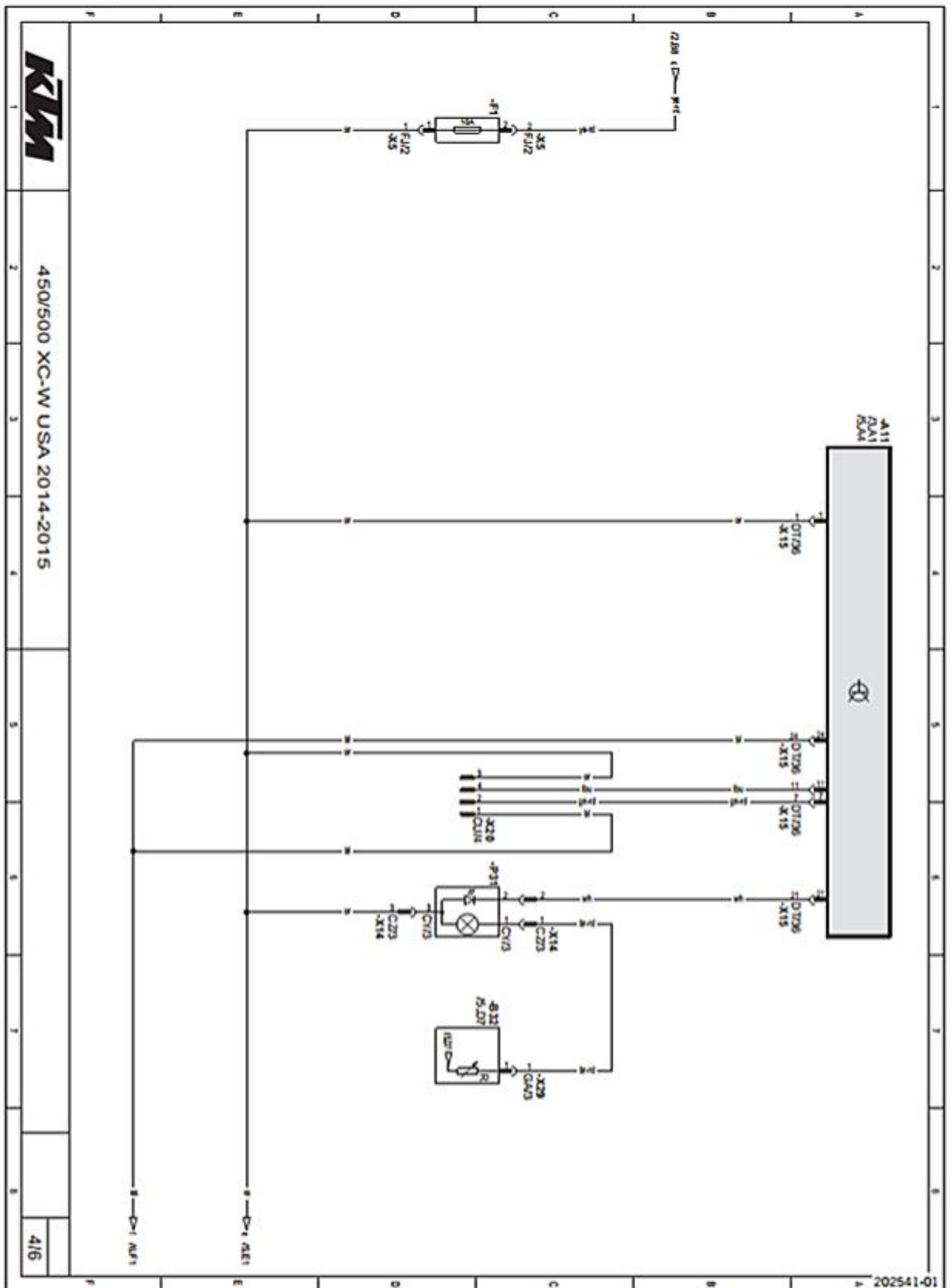


Components:

A11	EFI control unit
B33	Radiator fan temperature switch
F2	Fuse
F3	Fuse
F4	Fuse
G20	Alternator
K12	Light relay
K30	Power relay
M14	Radiator fan
T20	Voltage regulator
X295	Diagnostics connector

Components:

A11	EFI control unit
E11	Low beam
P35	Parking light
P37	Tail light
S20	Kill switch
S30	Light switch

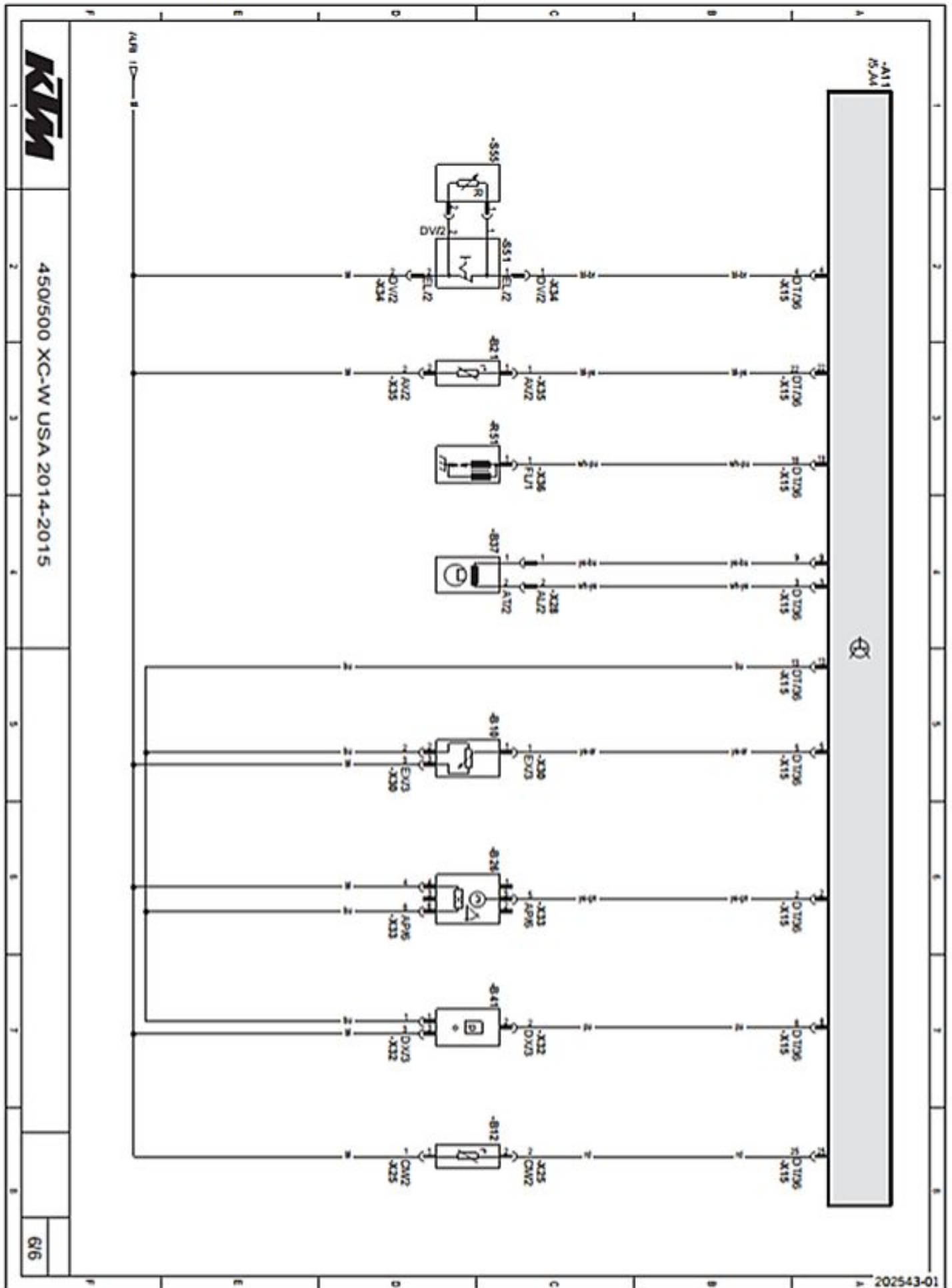


Components:

A11	EFI control unit
B32	Fuel level sensor
F1	Fuse
P31	FI warning lamp and low fuel warning lamp

Components:

A11	EFI control unit
B70	Front wheel speed sensor
M13	Fuel pump
M51	Injector (cylinder 1)
R30	CAN-bus terminating resistor 1
P13	Speedometer
S36	Tripmaster switch
X295	Diagnostics connector



450/500 XC-W USA 2014-2015

Components:

A11	EFI control unit
B10	Throttle position sensor circuit A
B12	Intake air temperature sensor
B21	Engine coolant temperature sensor (cylinder 1)
B26	Rollover sensor
B37	Crankshaft position sensor
B41	Manifold absolute pressure sensor (cylinder 1)
R51	Ignition coil (cylinder 1)
S51	Map-Select switch for driving mode (optional)
S55	Map-Select switch for basic position (optional)

Cable colors:

bl	Black
br	Brown
bu	Blue
gn	Green
gr	Gray
lbu	Light blue
or	Orange
pk	Pink
pu	Violet
rd	Red
wh	White
ye	Yellow

Brake fluid DOT 4 / DOT 5.1**Standard/classification**

- DOT

Guideline

- Use only brake fluid that complies with the specified standard (see specifications on the container) and that exhibits the corresponding properties.

Recommended supplier**Castrol**

- RESPONSE BRAKE FLUID SUPER DOT 4

Motorex®

- Brake Fluid DOT 5.1

Coolant**Guideline**

- Only use high quality coolant with corrosion inhibitor for aluminum motors (even in countries with high temperatures). Using inferior antifreeze can result in corrosion and foaming.

Mixture ratio

Antifreeze protection: -25... -45 °C (-13... -49 °F)	anti-corrosion/antifreeze distilled water
--	---

Recommended supplier**Motorex®**

- COOLANT M3.0

Engine oil (SAE 10W/50)**Standard/classification**

- JASO T903 MA (☛ p. 323)
- SAE (☛ p. 323) (SAE 10W/50)

Guideline

- Use only engine oils that comply with the specified standards (see specifications on the container) and that possess the corresponding properties.

Synthetic engine oil

Recommended supplier**Motorex®**

- Cross Power 4T

Fork oil (SAE 4) (48601166S1)**Standard/classification**

- SAE (☛ p. 323) (SAE 4)

Guideline

- Use only oils that comply with the specified standards (see specifications on the container) and that exhibit the corresponding properties.

Shock absorber fluid (SAE 2.5) (50180751S1)**Standard/classification**

- SAE (☛ p. 323) (SAE 2.5)

Guideline

- Use only oils that comply with the specified standards (see specifications on the container) and that exhibit the corresponding properties.

Super unleaded (ROZ 95/RON 95/PON 91)**Standard/classification**

- DIN EN 228 (ROZ 95/RON 95/PON 91)

Guideline

- Only use unleaded super fuel that matches or is equivalent to the specified fuel grade.
- Fuel with an ethanol content of up to 10 % (E10 fuel) is safe to use.

**Info**

Do not use fuel containing methanol (e. g. M15, M85, M100) or more than 10 % ethanol (e. g. E15, E25, E85, E100).

Air filter cleaner

Recommended supplier

Motorex®

- Racing Bio Dirt Remover

Chain cleaner

Recommended supplier

Motorex®

- Chain Clean

Fuel additive

Recommended supplier

Motorex®

- Fuel Stabilizer

High viscosity grease

Recommended supplier

SKF®

- LGHB 2

Long-life grease

Recommended supplier

Motorex®

- Bike Grease 2000

Lubricant (T158)

Recommended supplier

Lubcon®

- Turmogrease® PP 300

Lubricant (T511)

Recommended supplier

Lubcon®

- Turmsilon® GTI 300 P

Lubricant (T159)

Recommended supplier

Bel-Ray®

- MC-11®

Lubricant (T625)

Recommended supplier

Molykote®

- 33 Medium

Lubricant (T152)

Recommended supplier

Bel-Ray®

- Molytube® Anti-Seize

Motorcycle cleaner

Recommended supplier

Motorex®

- Moto Clean

Off-road chain spray

Recommended supplier

Motorex®

- Chainlube Offroad

Oil for foam air filter

Recommended supplier

Motorex®

- Racing Bio Liquid Power

Preserving materials for paints, metal and rubber

Recommended supplier

Motorex®

- Moto Protect

Special cleaner for glossy and matte paint finishes, metal and plastic surfaces

Recommended supplier

Motorex®

- Quick Cleaner

Universal oil spray

Recommended supplier

Motorex®

- Joker 440 Synthetic

Bleeder cover



Art. no.: 00029013005

Bleeder cover



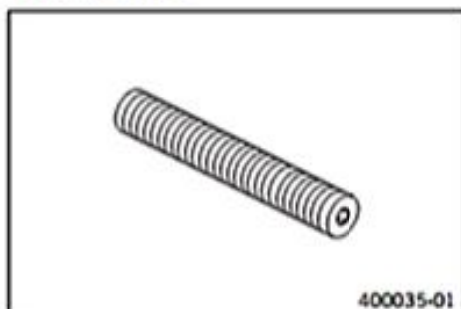
Art. no.: 00029013006

Bleeding device



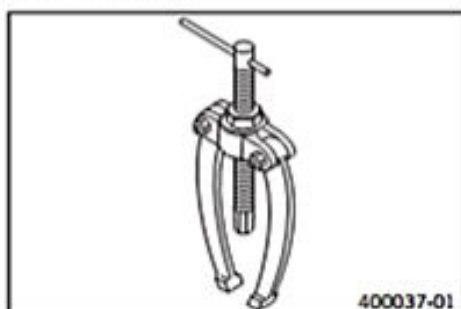
Art. no.: 00029013100

Locking screw



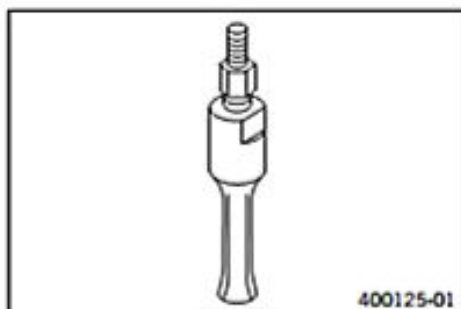
Art. no.: 113080802

Bearing puller



Art. no.: 15112017000

Insert for bearing puller

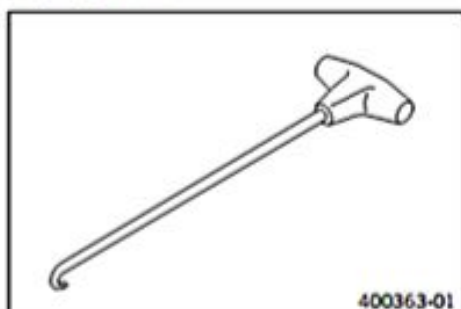


Art. no.: 15112018100

Feature

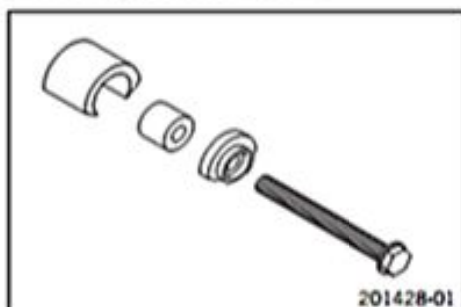
18... 23 mm (0.71... 0.91 in)

Spring hooks



Art. no.: 50305017000

Mounting tool, heim joint



Art. no.: 50329000044

Bleed syringe



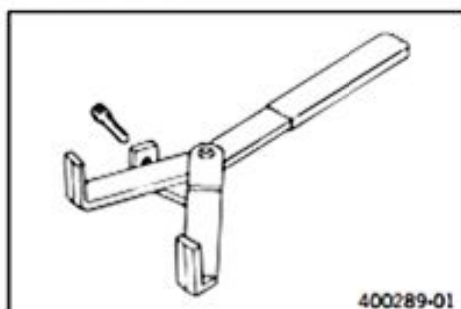
Art. no.: 50329050000

Circlip pliers reverse



Art. no.: 51012011000

Clutch holder



Art. no.: 51129003000

Lift stand



Art. no.: 54829055000

Extractor



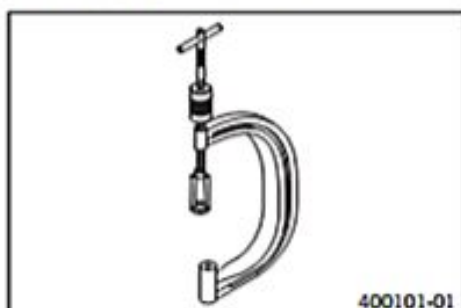
Art. no.: 58012009000

Torque wrench with various accessories in set



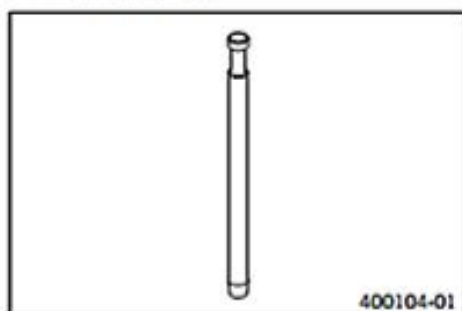
Art. no.: 58429094000

Valve spring compressor



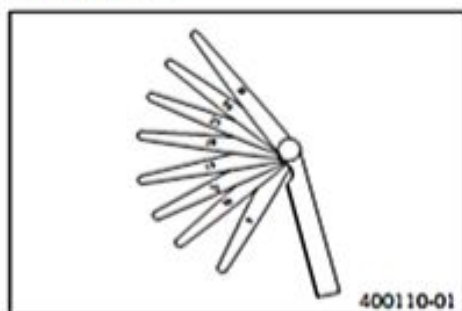
Art. no.: 59029019000

Limit plug gauge



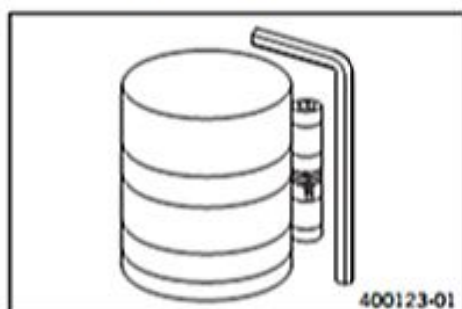
Art. no.: 59029026006

Feeler gauge



Art. no.: 59029041100

Piston ring mounting tool



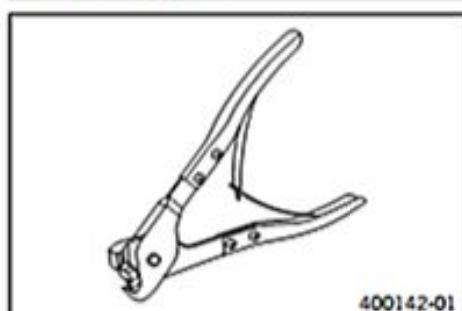
Art. no.: 60029015000

Puller, 2-arm



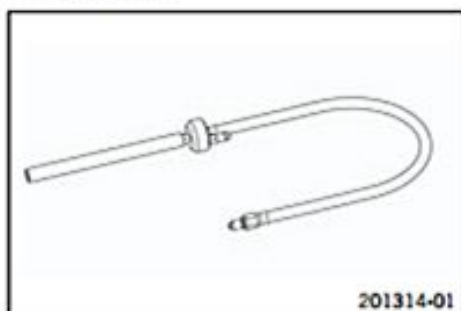
Art. no.: 60029033000

Hose clamp pliers



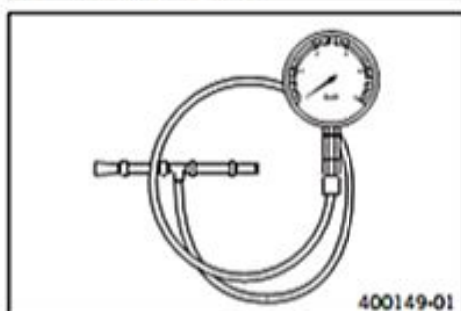
Art. no.: 60029057000

Testing hose



Art. no.: 61029093000

Pressure testing tool



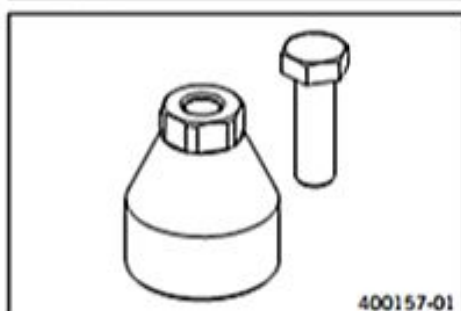
Art. no.: 61029094000

Engine assembly stand



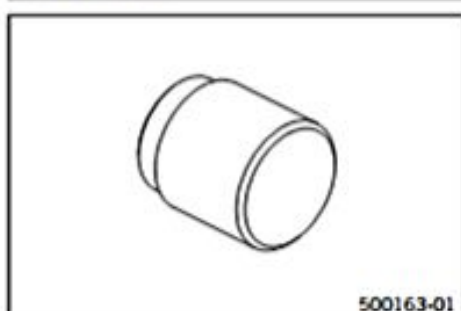
Art. no.: 61229001000

Extractor



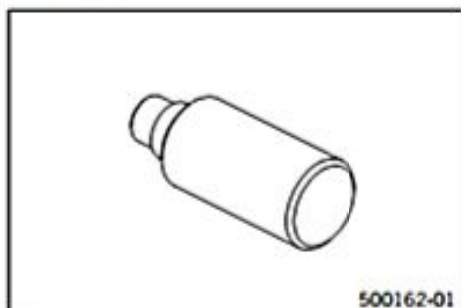
Art. no.: 75029021000

Push-in drift



Art. no.: 75029044010

Push-in drift



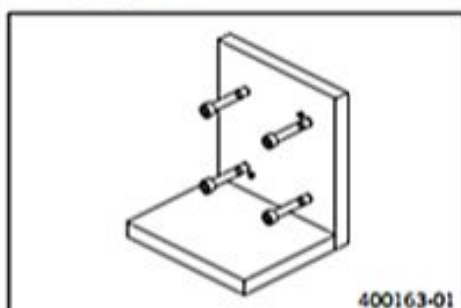
Art. no.: 75029044020

Pressing device for crankshaft, complete



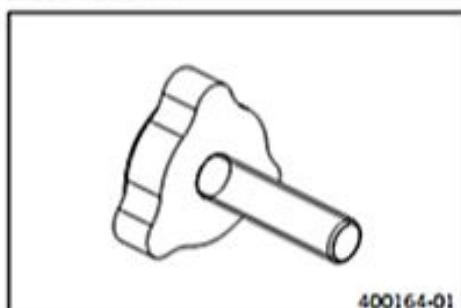
Art. no.: 75029047000

Clamping plate



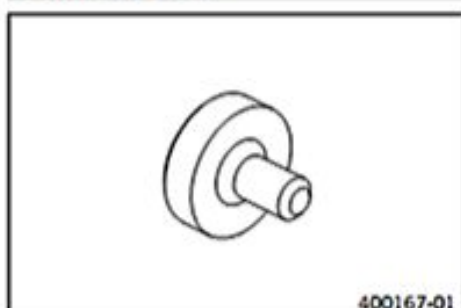
Art. no.: 75029050000

Push-out drift



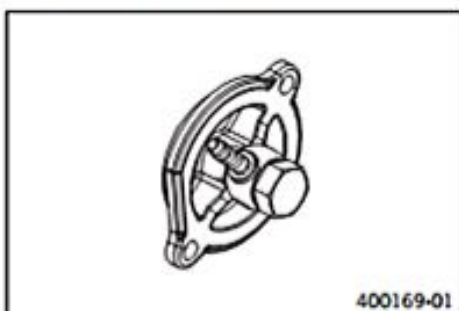
Art. no.: 75029051000

Protection cover



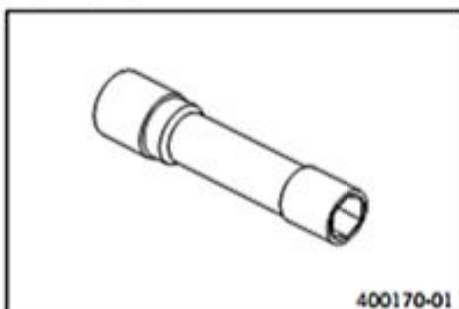
Art. no.: 75029090000

Oil pressure adapter



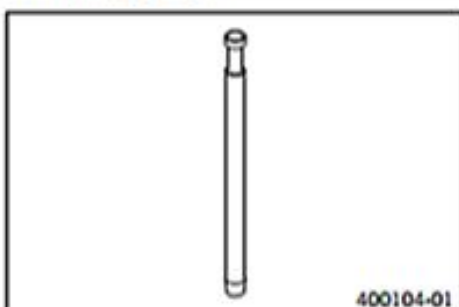
Art. no.: 75029094000

Spark plug wrench



Art. no.: 75029172000

Limit plug gauge



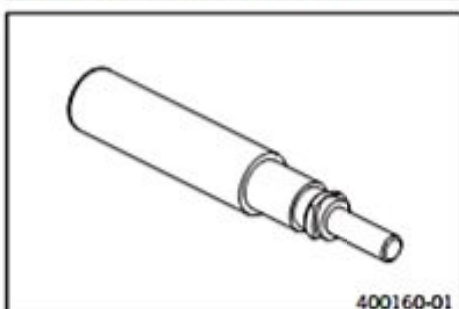
Art. no.: 77029026000

Insert for valve spring lever



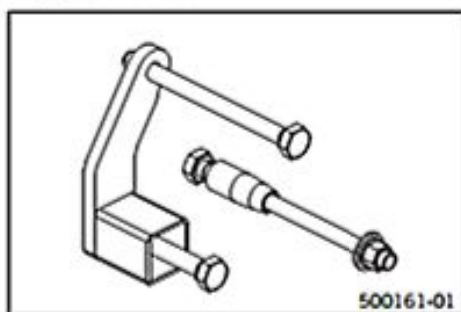
Art. no.: 77029041000

Insert for piston pin retainer



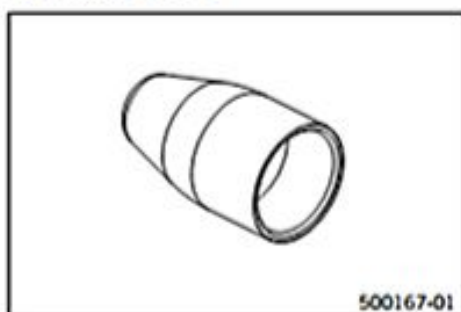
Art. no.: 77329030100

Engine bracket



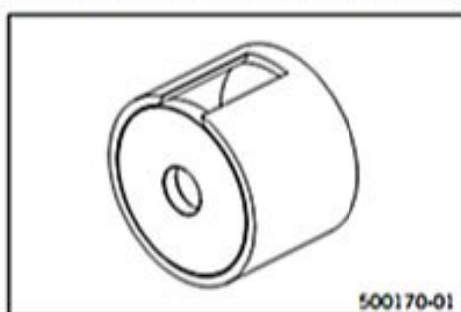
Art. no.: 78029002000

Mounting sleeve



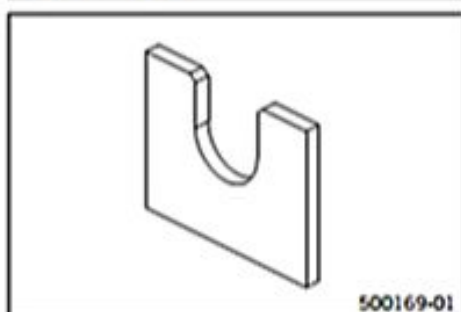
Art. no.: 78029005000

Insert for crankshaft pressing device



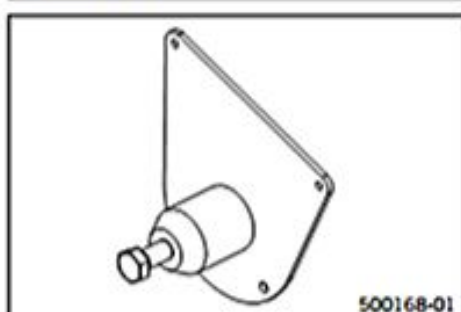
Art. no.: 78029008000

Separator plate



Art. no.: 78029009000

Removal tool



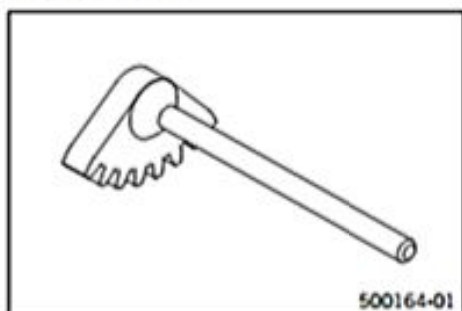
Art. no.: 78029049100

Fixing drift



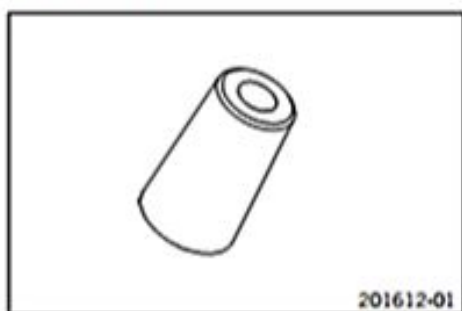
Art. no.: 78129032000

Gear quadrant



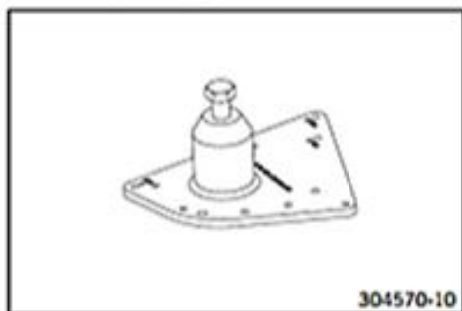
Art. no.: 80029004000

Mounting sleeve



Art. no.: 90129005000

Case separating tool



Art. no.: 90129048000

Pin wrench



Art. no.: T103

Hook wrench



301085-01

Art. no.: T106S

Depth micrometer



300577-10

Art. no.: T107S

Pin



201235-10

Art. no.: T120

Mounting sleeve



200788-10

Art. no.: T1204

Calibration pin



200790-10

Art. no.: T1205

Pressing tool



Art. no.: T1206

Pressing tool



Art. no.: T1207S

Centering sleeve



Art. no.: T1214

Mounting sleeve



Art. no.: T1215

Disassembly tool



Art. no.: T1216

Vacuum pump



Art. no.: T1240S

Protecting sleeve



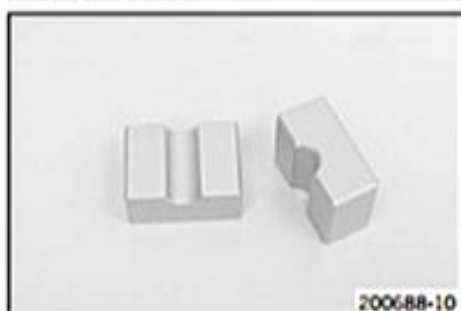
Art. no.: T1401

Clamping stand



Art. no.: T14015S

Clamping stand



Art. no.: T14016S

Gripping tool



Art. no.: T14026S1

Assembly tool



Art. no.: T1402S

Open-end wrench



Art. no.: T14032

Clamping stand



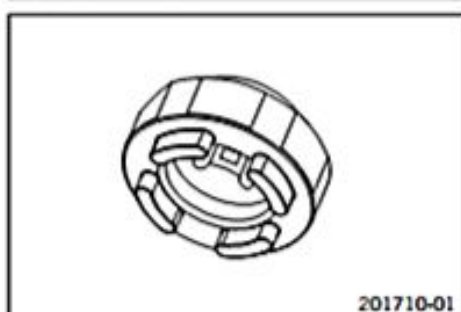
Art. no.: T1403S

Mounting tool



Art. no.: T14040S

Special socket



Art. no.: T14047

Clamping stand



Art. no.: T14049S

Press-out tool



Art. no.: T14051

Press drift



Art. no.: T1504

Assembly tool



Art. no.: T150S

Nitrogen filling tool



Art. no.: T170S1

JASO T903 MA

Different technical development directions required a new specification for 4-stroke motorcycles – the JASO T903 MA Standard. Earlier, engine oils from the automobile industry were used for 4-stroke motorcycles because there was no separate motorcycle specification. Whereas long service intervals are demanded for automobile engines, high performance at high engine speeds are in the foreground for motorcycle engines. In most motorcycles, the gearbox and the clutch are lubricated with the same oil as the engine. The JASO MA Standard meets these special requirements.

SAE

The SAE viscosity classes were defined by the Society of Automotive Engineers and are used for classifying oils according to their viscosity. The viscosity describes only one property of oil and says nothing about quality.

Art. no.	Article number
ca.	circa
cf.	compare
e.g.	for example
etc.	et cetera
i.a.	inter alia
no.	number
poss.	possibly

- A**
- Accessories** 8
 - Air filter**
 - cleaning 87
 - installing 87
 - removing 86
 - Air filter box**
 - cleaning 87
 - sealing 86
 - Air filter box lid**
 - installing 86
 - removing 86
 - Alternator**
 - stator winding, checking 211
 - Antifreeze**
 - checking 203
 - Assembling the engine**
 - crankshaft, installing 184
 - valve clearance, checking 198
 - Auxiliary substances** 8
- B**
- Battery**
 - installing 112
 - removing 112
 - Brake disc**
 - front brake, installing 103
 - front brake, removing 103
 - rear brake, installing 105
 - rear brake, removing 105
 - Brake discs**
 - checking 101
 - Brake fluid**
 - front brake, adding 117
 - front brake, changing 118
 - rear brake, adding 122
 - rear brake, changing 123
 - Brake fluid level**
 - front brake, checking 117
 - rear brake, checking 122
 - Brake linings**
 - front brake, changing 114
 - front brake, checking 114
 - rear brake, changing 119
 - rear brake, checking 119
- C**
- Capacity**
 - coolant 205, 219
 - engine oil 142, 208, 219
 - fuel 219
 - Cartridge**
 - fork legs, assembling 24, 47
 - fork legs, disassembling 20, 40
 - Chain**
 - checking 107
 - cleaning 109
 - Chain guide**
 - checking 107
 - Chain tension**
 - adjusting 106
 - checking 106
 - Charging voltage**
 - checking 113
 - Chassis number** 9
 - Closed current**
 - checking 113
 - Clutch**
 - fluid level, checking/correcting 202
 - fluid, changing 202
 - Clutch lever**
 - basic position, adjusting 56
 - Compression damping**
 - fork, adjusting 13, 34
 - Compression damping fitting**
 - fork legs, assembling 24
 - fork legs, disassembling 22
 - Compression damping, high-speed**
 - shock absorber, adjusting 60
 - Compression damping, low-speed**
 - shock absorber, adjusting 60
 - Coolant**
 - draining 204
 - refilling 205
 - Coolant level**
 - checking 203-204
 - Cooling system** 203
 - Cylinder - Nikasil® coating** 164
- D**
- Disassembling the engine**
 - clutch cover, removing 149
 - oil filter, removing 143
 - torque limiter, removing 152
 - transmission shafts, removing 156
- E**
- Engine**
 - installing 137
 - removing 133
 - Engine - work on individual parts**
 - autodecompressor, assembling 167
 - autodecompressor, disassembling 166
 - camshaft bearing, changing 170
 - camshaft, checking 168
 - clutch, checking 173
 - connecting rod, conrod bearing, and crank pin, changing 162
 - countershaft, assembling 178
 - countershaft, disassembling 178
 - crankshaft run-out at the bearing pin, checking 164
 - crankshaft seal ring in the clutch cover, removing 160
 - crankshaft seal ring, installing in clutch cover 160
 - cylinder - Nikasil® coating 164
 - cylinder head, checking 171
 - cylinder, checking/measuring 164

- freewheel, checking 183
 - freewheel, installing 183
 - freewheel, removing 182
 - kickstarter shaft, premounting 181
 - left engine case section 158
 - main shaft, assembling 177
 - main shaft, disassembling 176
 - oil pressure regulator valve, installing 160
 - oil pressure regulator valve, removing 159
 - oil pumps, checking 166
 - piston ring end gap, checking 165
 - piston, checking/measuring 165
 - piston/cylinder, determining the mounting clearance .. 166
 - right engine case section 157
 - rocker arm shafts, checking 172
 - rocker arm, installing 173
 - rocker arm, removing 169
 - shift mechanism, checking 175
 - shift shaft, preassembling 176
 - spring length of oil pressure regulator valve, checking . 159
 - starter drive, checking 182
 - timing assembly, checking 168
 - timing chain sprocket, installing 162
 - timing chain sprocket, removing 162
 - transmission, checking 179
 - valve spring seat, checking 171
 - valve springs, checking 171
 - valves, checking 170
 - valves, installing 172
 - valves, removing 169
 - water pump, installing 161
 - water pump, removing 160
- Engine assembly**
- alternator cover, installing 198
 - camshaft, installing 197
 - clutch cover, installing 191
 - clutch discs, installing 190
 - clutch push rod, installing 200
 - cylinder head, installing 196
 - engine, removing from engine assembly stand 201
 - force pump, installing 186
 - freewheel gear, installing 186
 - ignition pulse generator, installing 193
 - kickstarter idler gear, installing 188
 - kickstarter shaft, installing 188
 - kickstarter, installing 199
 - left engine case, installing 185
 - locking lever, installing 187
 - oil filter, installing 200
 - oil pump gear wheels, installing 187
 - oil screen, installing 200
 - outer clutch hub, installing 189
 - piston, installing 194
 - primary gear nut, installing 190
 - primary gear, installing 186
 - rotor, installing 194
 - shift drum locating unit, installing 187
 - shift drum, installing 185
 - shift forks, installing 184
 - shift rails, installing 185
 - shift shaft, installing 188
 - spark plug, installing 199
 - starter idler gear, installing 188
 - starter motor, installing 199
 - suction pump, installing 192
 - timing chain guide rail, installing 194
 - timing chain securing guide, installing 193
 - timing chain tensioner, installing 197
 - timing chain tensioning rail, installing 194
 - timing chain, installing 193
 - torque limiter, installing 189
 - transmission shafts, installing 184
 - valve clearance, adjusting 198
 - valve cover, installing 199
 - water pump cover, installing 192
- Engine disassembly**
- alternator cover, removing 145
 - camshaft, removing 146
 - clutch discs, removing 150
 - clutch push rod, removing 143
 - crankshaft, removing 156
 - cylinder head, removing 146
 - engine oil, draining 142
 - engine, positioning at ignition top dead center 145
 - force pump, removing 154
 - freewheel gear, removing 154
 - ignition pulse generator, removing 148
 - kickstarter idler gear, removing 152
 - kickstarter, removing 144
 - left section of the engine case, removing 154
 - locking lever, removing 153
 - oil pump gear wheel, removing 153
 - outer clutch hub, removing 151
 - piston, removing 147
 - preparations 142
 - primary gear nut, removing 151
 - primary gear, removing 154
 - rotor, removing 147
 - shift drum locating unit, removing 153
 - shift drum, removing 155
 - shift forks, removing 156
 - shift rails, removing 155
 - shift shaft, removing 152
 - spark plug, removing 144
 - starter idler gear, removing 152
 - starter motor, removing 144
 - suction pump, removing 148
 - timing chain guide rail, removing 147
 - timing chain securing guide, removing 148
 - timing chain tensioner, removing 146
 - timing chain tensioning rail, removing 148
 - timing chain, removing 148
 - valve cover, removing 144
 - water pump cover, removing 149
- Engine guard**
- installing 59
 - removing 59
- Engine number** 10
- Engine oil**
- adding 209
 - changing 206

Engine oil level
 checking 206

Engine oil pressure
 checking 209

Engine sprocket
 checking 107

F

Figures 8

Filler cap
 closing 89
 opening 89

Foot brake lever
 basic position, adjusting 121
 free travel, checking 121

Fork legs
 assembling 26, 48
 bleeding 14, 34
 cartridge, assembling 24, 47
 cartridge, disassembling 20, 40
 checking 22, 43
 compression damping fitting, assembling 24
 compression damping fitting, disassembling 22
 disassembling 17, 37
 dust boots, cleaning 14, 34
 fork service, performing 17, 37
 hydrostop unit, assembling 45
 hydrostop unit, disassembling 42
 installing 15, 36
 piston rod, assembling 45
 piston rod, disassembling 41
 removing 15, 35
 seal ring retainer, assembling 44
 seal ring retainer, disassembling 43
 spring preload, adjusting 13
 spring, removing 39

Fork protector
 installing 17, 37
 loosening 14, 35
 positioning 15, 35
 removing 16, 36

Fork service, performing 17, 37

Front fender
 installing 98
 removing 98

Front wheel
 installing 102
 removing 102

Fuel filter
 changing 93

Fuel pressure
 checking 96

Fuel pump
 changing 95

Fuel screen
 changing 92

Fuel tank
 installing 91

removing 90

Fuse
 individual power consumers, changing 111
 main fuse, changing 110

H

Hand brake lever
 basic position, adjusting 116
 free travel, adjusting 116
 free travel, checking 116

Handlebar position 56
 adjusting 56

Headlight
 headlight range, adjusting 125

Headlight mask with headlight
 installing 99
 removing 98

Headlight setting
 checking 125

Heim joint
 changing 81

Hydrostop unit
 fork legs, assembling 45
 fork legs, disassembling 42

I

Idle speed
 adjusting 214

Ignition coil
 secondary winding, checking 211

Initialization run
 executing 215

K

Key number 9

L

Lower triple clamp
 installing 31, 52
 removing 30, 52

M

Main fuse
 changing 110

Main silencer
 glass fiber yarn filling, changing 84
 installing 84
 removing 84

Manifold
 installing 83
 removing 83

Motorcycle
 cleaning 224
 raising with lift stand 11
 removing from lift stand 11

O

Oil circuit 206

Oil filter
 changing 206

- Oil pressure regulator valve**
 - installing 160
 - removing 159
 - spring length, checking 159
- Oil screens**
 - cleaning 206
- Operating substances** 8
- P**
- Piston rod**
 - fork legs, assembling 45
 - fork legs, disassembling 41
- Play in throttle cable**
 - checking 57
- Preparing for use**
 - after storage 226
- R**
- Rear sprocket**
 - checking 107
- Rear wheel**
 - installing 104
 - removing 103
- Rebound damping**
 - fork, adjusting 13, 34
 - shock absorber, adjusting 61
- Riding sag**
 - adjusting 63
- S**
- Seal ring retainer**
 - fork legs, assembling 44
 - fork legs, disassembling 43
- Seat**
 - mounting 90
 - removing 89
- Service schedule** 227-228
- Servicing the shock absorber** 64
- Shock absorber**
 - damper, assembling 74
 - damper, bleeding and filling 77
 - damper, checking 69
 - damper, disassembling 65
 - damper, filling with nitrogen 79
 - heim joint, installing 71
 - heim joint, removing 70
 - installing 63
 - pilot bushing, replacing 68
 - piston rod, assembling 73
 - piston rod, disassembling 66
 - rebound adjuster, assembling 72
 - rebound adjuster, disassembling 69
 - removing 63
 - riding sag, checking 62
 - seal ring retainer, assembling 72
 - seal ring retainer, disassembling 67
 - shock absorber, servicing 64
 - spring preload, adjusting 62
 - spring, installing 80
 - spring, removing 64
 - static sag, checking 61
- Spare parts** 8
- Spark plug connector**
 - checking 211
- Speedometer**
 - additional functions, activating 130
 - adjusting 126
 - clock, setting 127, 130
 - kilometers or miles, setting 126, 129
 - setting 129
 - speedometer overview 125, 128
 - wheel circumference, setting 127, 131
- Spoke tension**
 - checking 101
- Spring**
 - fork legs, removing 39
- Starter motor**
 - checking 213
- Starting** 11-12
- Stator**
 - installing 212
 - removing 212
- Steering head bearing**
 - greasing 30, 51
- Steering head bearing play**
 - adjusting 33, 54
 - checking 33, 54
- Storage** 226
- T**
- Technical data**
 - capacities 219
 - chassis 219
 - chassis tightening torques 222
 - electrical system 220
 - engine 216
 - engine - tolerance, wear limits 216
 - engine tightening torques 217
 - fork 220
 - shock absorber 221
 - tires 220
- Throttle cable play**
 - adjusting 58
- Throttle cable routing**
 - checking 57
- Throttle position sensor**
 - basic settings, adjusting 214
 - circuit A - checking the basic settings 214
- Tire air pressure**
 - checking 100
- Tire condition**
 - checking 100
- Type label** 9
- W**
- Warranty** 8
- Winter operation**
 - checks and maintenance steps 225

Wiring diagram	230-305
page 1 of 6	294
page 1 of 8	230, 246, 262, 278
page 2 of 6	296
page 2 of 8	232, 248, 264, 280
page 3 of 6	298
page 3 of 8	234, 250, 266, 282
page 4 of 6	300
page 4 of 8	236, 252, 268, 284
page 5 of 6	302
page 5 of 8	238, 254, 270, 286
page 6 of 6	304
page 6 of 8	240, 256, 272, 288
page 7 of 8	242, 258, 274, 290
page 8 of 8	244, 260, 276, 292
Work rules	7



3206182en

05/2015



KTM