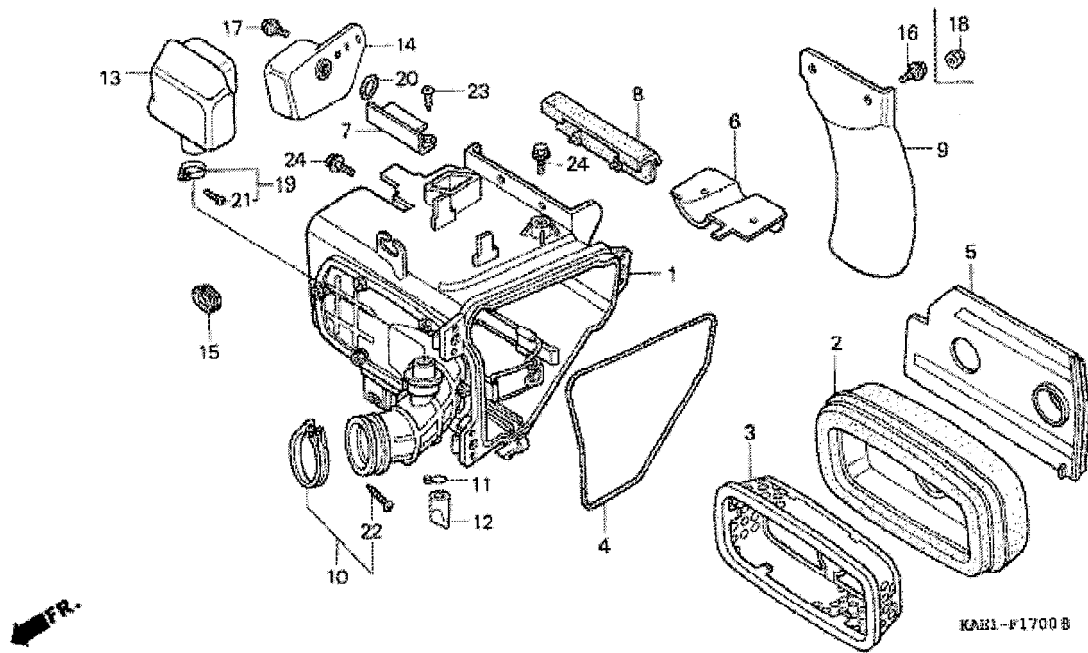


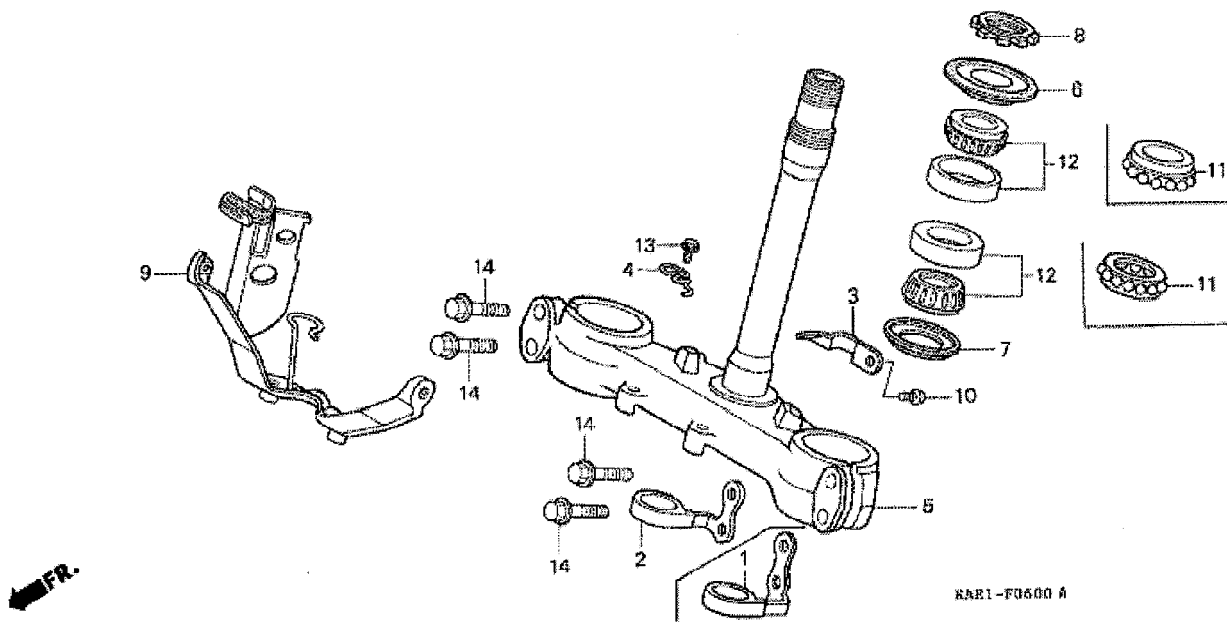
MD24-1201908 CRM250R CRM250RM 1991 J

F-17 AIR CLEANER



Refnr	Part Number	Description	Unit Qty	Order Qty	Repair Qty	Price GBP
1	17205-KAE-306	CASE SET, AIR CLEANER	001	0	0	198.09
2	17213-KAE-000	ELEMENT, AIR CLEANER	001	0	0	15.32
3	17214-KAE-000	HOLDER, ELEMENT	001	0	0	36.80
4	17219-KAE-000	SEAL, AIR CLEANER COVER	001	0	0	2.90
5	17231-KAE-870	SEPARATOR, AIR CLEANER CASE	001	0	0	28.84
9	17245-MN1-670	MUDGUARD A, AIR CLEANER CASE	001	0	0	12.86
10	17257-KAE-000	BAND, AIR CLEANER CONNECTING TUBE	001	0	0	0.00
11	17316-MN1-670	CLIP A, BREATHER TUBE	001	0	0	1.41
12	17358-HA0-680	TUBE, DRAIN	001	0	0	2.11
14	17415-KAE-870	RESONATOR, AIR CLEANER	001	0	0	18.02
15	76231-952-770	GROMMET, CABLE	001	0	0	2.18
16	90101-KAB-670	BOLT, FORK COVER	002	0	0	1.34
17	90111-187-000	BOLT, FLANGE, 6MM	001	0	0	2.04
20	91312-KE7-003	O-RING, 19X3 (NOK)	001	0	0	1.31
22	93500-05032-0G	SCREW, PAN, 5X32	001	0	0	0.40
24	96300-06010-00	BOLT, FLANGE, 6X10	002	0	0	0.52

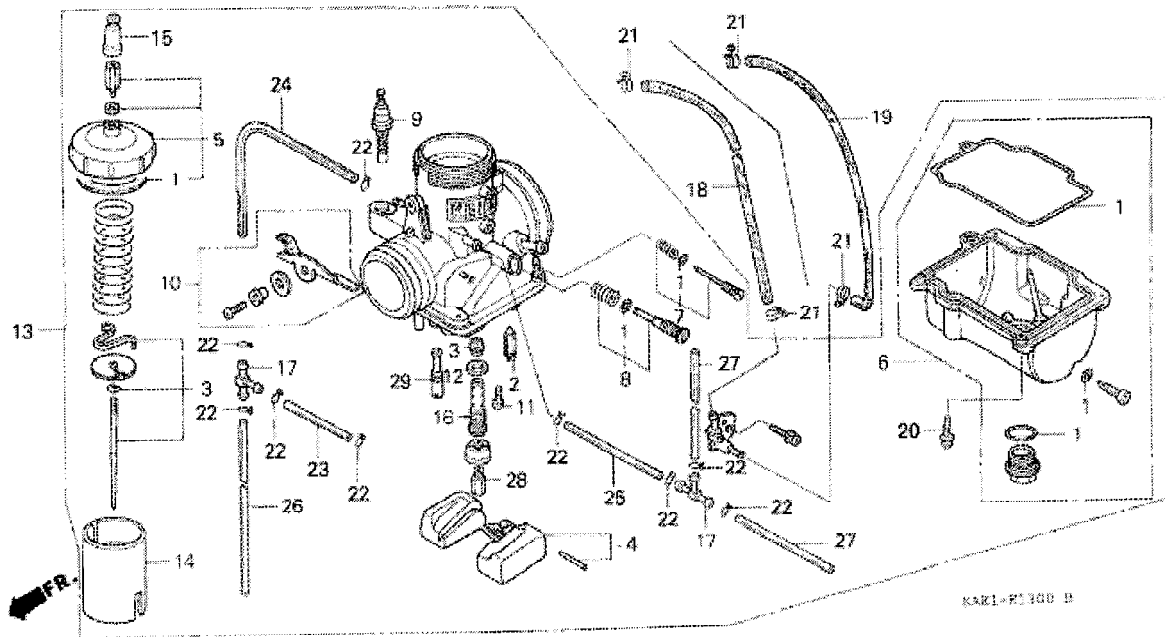
MD24-1201908 CRM250R CRM250RM 1991 J
F-6 STEERING STEM



Refnr	Part Number	Description	Unit Qty	Order Qty	Repair Qty	Price GBP
2	45460-KAE-870	GUIDE COMP., BRAKE HOSE BOTTOM	001	0	0	9.32
4	45466-KAE-870	GUIDE, SPEEDOMETER CABLE	001	0	0	2.40
5	53200-KAE-870	STEM COMP., STEERING	001	0	0	397.91
6	53214-KA3-732	DUST SEAL, STEERING HEAD (ARAI)	001	0	0	3.03
7	53214-KA4-701	DUST SEAL, STEERING HEAD (ARAI)	001	0	0	3.18
8	53229-MN1-650	THREAD, STEERING HEAD TOP	001	0	0	11.88
9	61318-KAE-870	STAY, HEADLIGHT CASE LOWER	001	0	0	15.23
12	91015-425-831	BEARING, HEAD PIPE UPPER (NTN)	002	0	0	20.63
12	91015-425-832	BEARING, HEAD PIPE UPPER (NACHI)	002	0	0	20.63
13	96300-06012-00	BOLT, FLANGE, 6X12	001	0	0	0.52
14	96300-08040-00	BOLT, FLANGE, 8X40	004	0	0	0.73

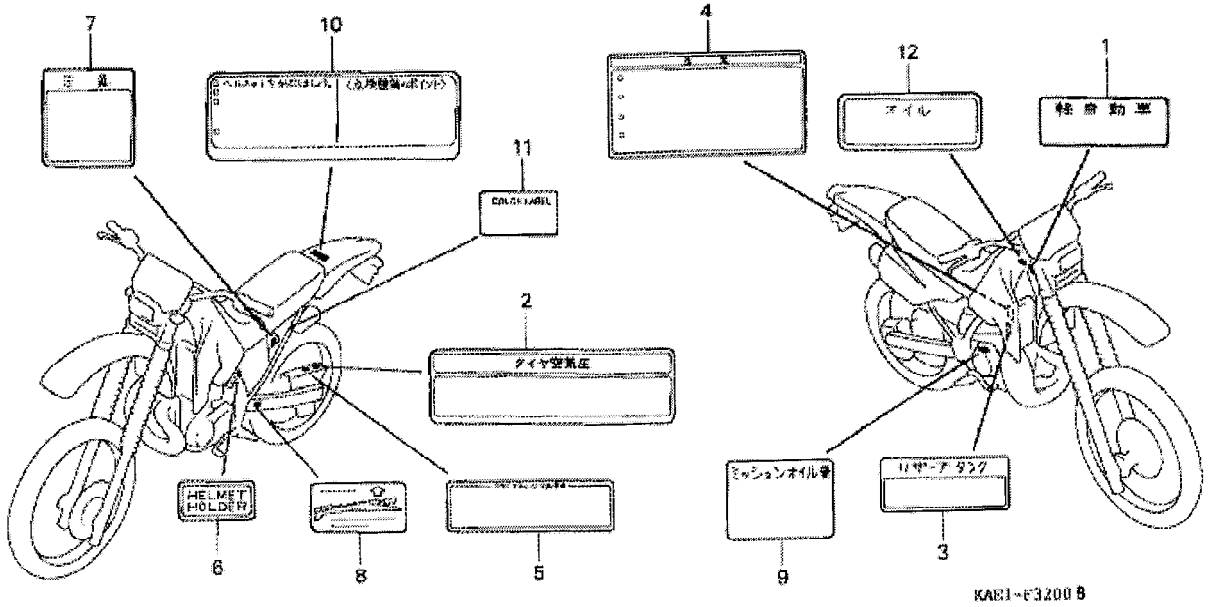
MD24-1201908 CRM250R CRM250RM 1991 J

E-13 CARBURETOR



Refnr	Part Number	Description	Unit Qty	Order Qty	Repair Qty	Price GBP
1	16010-KAE-010	GASKET SET	001	0	0	15.40
2	16011-KA3-741	VALVE SET, FLOAT	001	0	0	26.61
3	16012-KAE-870	NEEDLE SET, JET	001	0	0	14.42
4	16013-KA3-741	FLOAT SET	001	0	0	32.72
5	16014-KAE-010	TOP SET	001	0	0	29.83
6	16015-KAE-010	CHAMBER SET, FLOAT	001	0	0	67.27
7	16016-KAE-000	SCREW SET A	001	0	0	13.48
8	16028-KAE-020	SCREW SET	001	0	0	12.45
9	16046-KAE-010	VALVE SET, STARTER	001	0	0	28.90
10	16047-KAE-000	LEVER SET, STARTER	001	0	0	11.20
11	16080-KAE-000	SCREW, PAN	001	0	0	1.33
12	16091-KAE-000	NUT, HEX.	001	0	0	1.07
13	16100-KAE-870	CARBURETOR ASSY. (PE31C A)	001	0	0	314.13
14	16111-KAE-870	VALVE, THROTTLE	001	0	0	52.39
15	16118-166-004	CAP, CABLE SEALING	001	0	0	6.13
16	16165-KAE-000	HOLDER, NEEDLE JET	001	0	0	14.64
17	16180-195-731	T-JOINT	002	0	0	5.61
19	19313-KAE-870	TUBE, WATER, 3.5X250	001	0	0	2.64
20	93892-04016-18	SCREW-WASHER, 4X16	004	0	0	0.40
21	95002-01090	CLIP, TUBE (A9)	002	0	0	0.80
22	95002-02070	CLIP, TUBE (B7)	009	0	0	0.40
23	95003-05007-31	TUBE, VINYL, 3.5X6.5X70 (95003-05001-60M)	001	0	0	0.37
24	95003-07012-31	TUBE, VINYL, 4X7X120 (95003-07001-60M)	001	0	0	0.47
25	95003-07015-31	TUBE, VINYL, 4X7X150 (95003-07001-60M)	001	0	0	0.47
26	95003-07020-31	TUBE, VINYL, 4X7X200 (95003-07001-60M)	001	0	0	0.45
27	95003-07030-31	TUBE, VINYL, 4X7X300 (95003-07001-60M)	002	0	0	0.68
28	99101-357-1280	JET, MAIN, #128	001	0	0	5.96
29	99103-437-0480	JET, SLOW, #48	001	0	0	5.82

MD24-1201908 CRM250R CRM250RM 1991 J
F-32 CAUTION LABEL

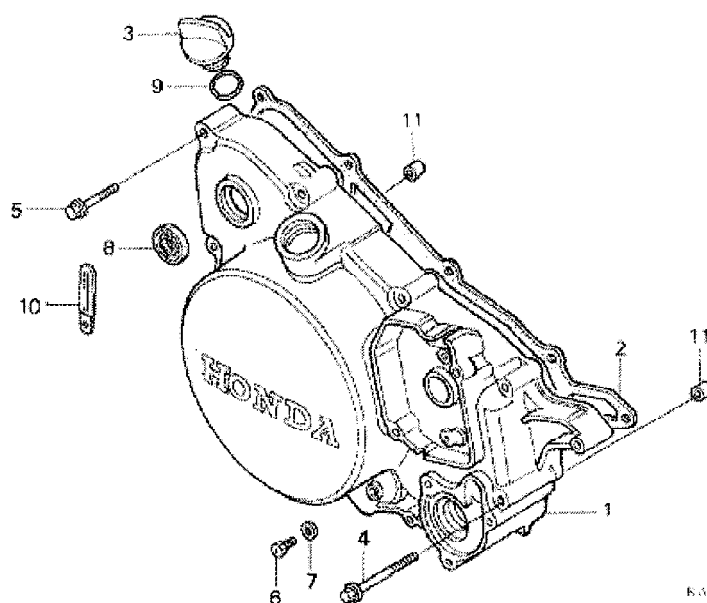


KAE1-F3200 B

Refnr	Part Number	Description	Unit Qty	Order Qty	Repair Qty	Price GBP
1	87501-KAE-300	PLATE, REGISTERED NUMBER	001	0	0	0.00
2	87505-KAE-870	LABEL, TIRE	001	0	0	0.00
3	87507-KAE-300	LABEL, RESERVE TANK	001	0	0	0.00
4	87508-GE2-300	MARK, RADIATOR CAUTION	001	0	0	0.00
5	87509-KAE-300	MARK, DRIVE CHAIN CAUTION	001	0	0	0.00
6	87511-KV0-300	LABEL, HELMET HOLDER	001	0	0	1.82
7	87512-KAE-300	LABEL, SEPARATOR CAUTION	001	0	0	0.00
8	87515-KAE-870	LABEL, CHAIN SLIDER	001	0	0	0.00
9	87541-KAE-300	LABEL, OIL CAPACITY	001	0	0	0.00
10	87560-KAE-310ZB	MARK, DRIVE CAUTION *TYPEB * (TYPEB)	001	0	0	2.69
11	87565-KAE-870ZA	LABEL, COLOR (###) *TYPE2* (NH196) (TYPE2)	001	0	0	0.00
11	87565-KAE-870ZB	LABEL, COLOR (###) *TYPE1* (NH196H) (TYPE1)	001	0	0	0.00
12	87570-KAE-310ZA	MARK A, OIL CAUTION *TYPE1 * (TYPE1)	001	0	0	1.00

MD24-1201908 CRM250R CRM250RM 1991 J

E-3 R. CRANKCASE COVER

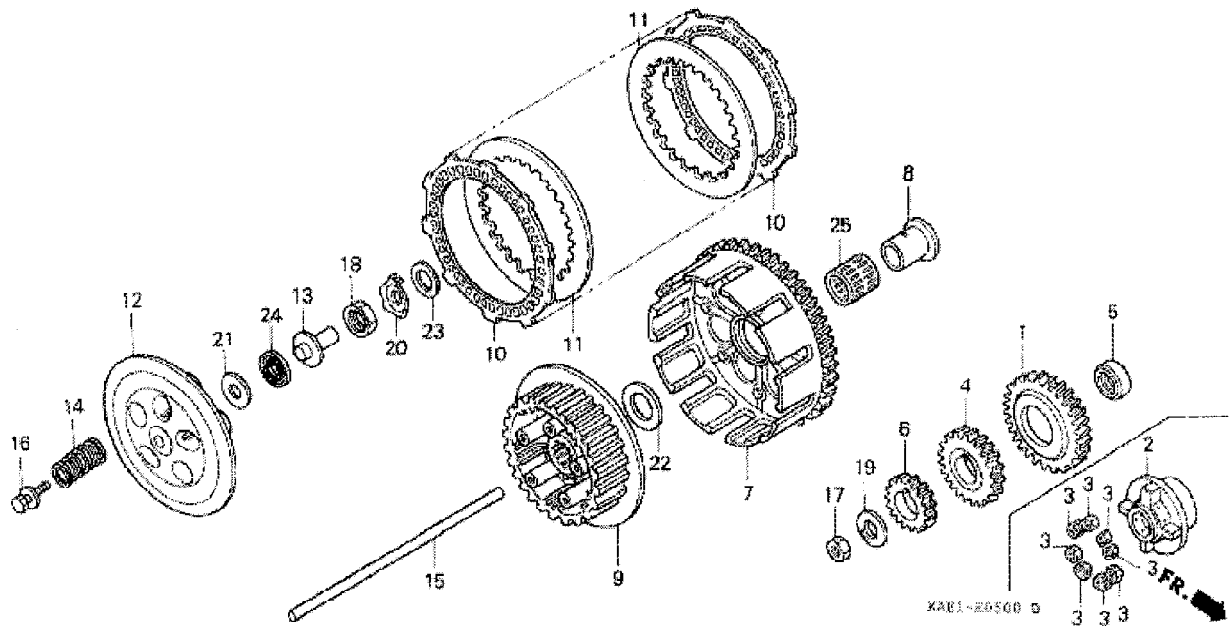


KAE-8800B

Refnr	Part Number	Description	Unit Qty	Order Qty	Repair Qty	Price GBP
1	11330-KAE-870	COVER COMP., R. CRANKCASE	001	0	0	159.27
2	11349-KAE-010	GASKET, R. CRANKCASE COVER	001	0	0	10.30
3	15611-KA4-710	CAP, OIL FILLER	001	0	0	7.60
4	90001-GHB-750	BOLT, FLANGE, 6X60	001	0	0	1.31
5	90001-GHB-700	BOLT, FLANGE, 6X35	010	0	0	1.08
6	90037-360-000	BOLT, OIL CHECK	001	0	0	1.20
7	90543-273-000	PACKING, FR. FORK DRAIN COCK	001	0	0	0.58
8	91202-KA4-003	OIL SEAL, 20X28X5	001	0	0	3.03
9	91303-800-000	O-RING, 16MM	001	0	0	1.65
10	91410-679-000	CLIP, 2X60	001	0	0	3.30
11	94301-08140	DOWEL PIN, 8X14	002	0	0	0.85

MD24-1201908 CRM250R CRM250RM 1991 J

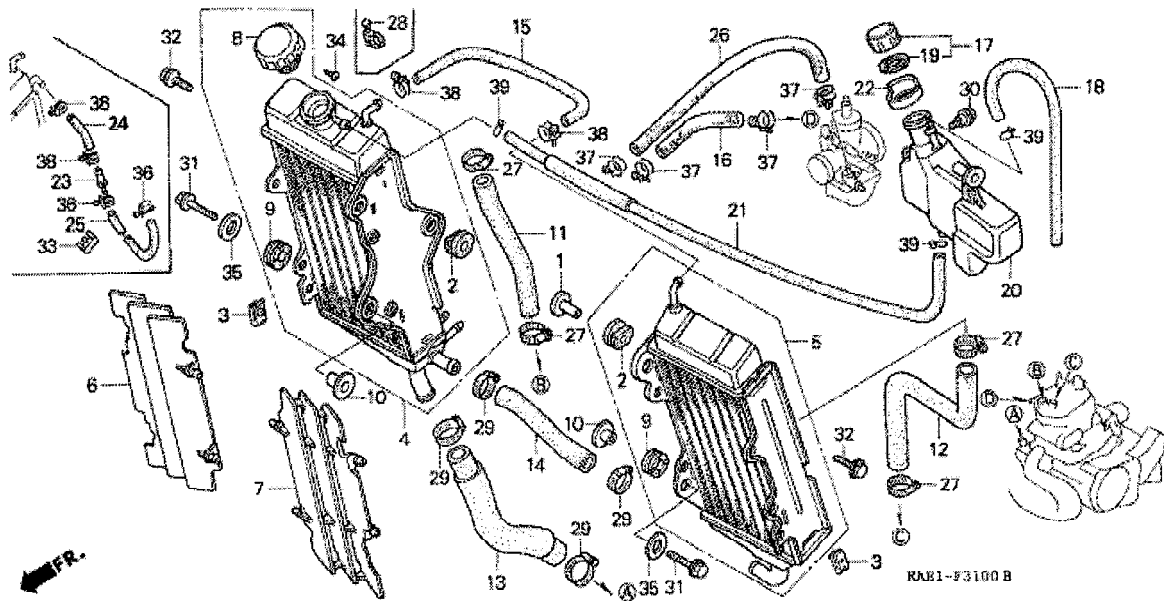
E-5 CLUTCH



Refnr	Part Number	Description	Unit Qty	Order Qty	Repair Qty	Price GBP
1	13414-KAE-870	GEAR, BALANCER DRIVE (40T)	001	0	0	0.00
4	13616-KAE-000	GEAR C, PRIMARY DRIVE (25T)	001	0	0	0.00
5	13617-KAE-870	COLLAR, DRIVE GEAR	001	0	0	18.50
6	13715-KAE-010	GEAR, WATER PUMP DRIVE	001	0	0	23.38
7	22100-KAE-020	OUTER COMP., CLUTCH	001	0	0	376.78
8	22106-KAE-000	COLLAR, CLUTCH OUTER	001	0	0	10.14
9	22120-KAE-010	CENTER, CLUTCH	001	0	0	53.66
10	22201-KAE-000	DISK, CLUTCH FRICTION	007	0	0	8.51
11	22321-KF0-770	PLATE, CLUTCH	006	0	0	5.56
12	22351-HB9-741	PLATE, CLUTCH PRESSURE	001	0	0	34.18
13	22352-KAE-000	PIECE, CLUTCH LIFTER	001	0	0	10.56
14	22401-KZ3-000	SPRING, CLUTCH	005	0	0	2.34
15	22851-KAE-010	ROD, CLUTCH LIFTER	001	0	0	7.72
16	90022-MM5-000	BOLT-WASHER, 6X25	005	0	0	1.44
17	90201-KAE-000	NUT, LOCK, 16MM	001	0	0	3.79
18	90235-KA4-000	NUT, 18MM	001	0	0	3.31
19	90431-KAE-000	WASHER, SPRING, 16MM	001	0	0	2.57
20	90445-KAE-000	WASHER, LOCK, 18MM	001	0	0	2.15
21	90452-147-003	WASHER, THRUST, 12MM (TOYO)	001	0	0	1.37
22	90453-KAE-000	WASHER, THRUST, 23X38	001	0	0	5.66
23	90501-KAE-000	WASHER, 18MM	001	0	0	2.79
24	91001-147-003	BEARING, NEEDLE, 12MM (NTN)	001	0	0	5.13
25	91021-ML3-003	BEARING, NEEDLE, 28X32X27.2 (THOMPSON)	001	0	0	15.87
25	91021-ML3-004	BEARING, NEEDLE, 28X32X27.2 (NTN)	001	0	0	15.87

MD24-1201908 CRM250R CRM250RM 1991 J

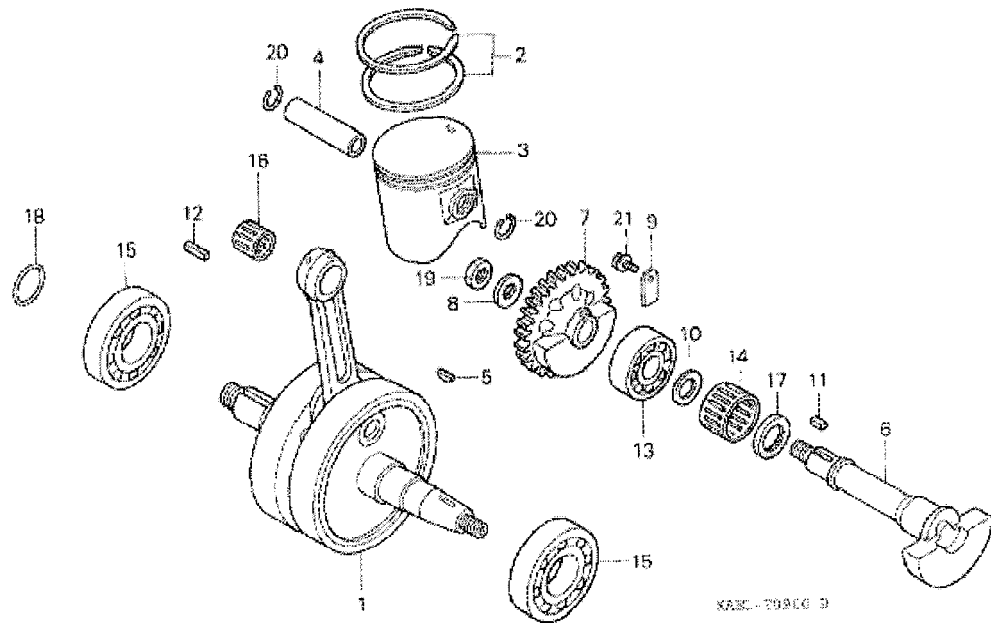
F-31 RADIATOR



Refnr	Part Number	Description	Unit Qty	Order Qty	Repair Qty	Price GBP
1	17216-HA7-670	COLLAR, AIR CLEANER SETTING	001	0	0	1.46
2	17237-HA7-670	RUBBER, RR. AIR CLEANER MOUNTING	002	0	0	4.62
3	18354-KS6-000	NUT, CHAMBER SPRING	002	0	0	2.21
4	19010-KAE-870	RADIATOR, R.	001	0	0	145.69
5	19015-KAE-870	RADIATOR, L.	001	0	0	123.54
6	19033-KAE-000	GRILLE, R. RADIATOR	001	0	0	27.56
7	19033-KS6-701	GRILLE, RADIATOR	001	0	0	30.89
8	19045-KV3-831	CAP COMP., RADIATOR	001	0	0	25.22
9	19051-KA3-830	RUBBER, RADIATOR MOUNTING	004	0	0	2.79
10	19052-MN8-000	COLLAR, RADIATOR MOUNTING	004	0	0	2.27
11	19061-KAE-870	HOSE, R. UPPER WATER	001	0	0	7.71
12	19062-KAE-870	HOSE, L. UPPER WATER	001	0	0	9.41
13	19063-KAE-000	HOSE, LOWER WATER	001	0	0	7.36
14	19066-KAE-000	HOSE, CROSS WATER	001	0	0	6.15
15	19067-KAE-870	TUBE, RADIATOR CONNECTING (7.3X230)	001	0	0	2.49
16	19068-KAE-870	TUBE, WATER, 5.3X80	001	0	0	5.65
17	19105-MG8-000	CAP ASSY., RESERVE TANK	001	0	0	6.34
18	19107-KAE-000	TUBE, OVERFLOW	001	0	0	3.58
19	19107-MG8-000	PACKING, RESERVE TANK	001	0	0	0.83
20	19110-KAE-000	TANK, RADIATOR RESERVE	001	0	0	26.46
21	19112-KAE-870	TUBE, RESERVE TANK (5.3X450)	001	0	0	5.01
22	19113-KAE-010	PROTECTOR, RESERVE TANK CAP	001	0	0	5.27
26	19129-KAE-870	TUBE, WATER, 5.3X390	001	0	0	6.34
27	19504-KY1-003	CLAMP, WATER HOSE, 25MM	004	0	0	3.21
29	19517-ML7-691	CLAMP, HOSE, 22-29MM	004	0	0	3.39
30	90111-162-000	BOLT, FLANGE, 6MM	001	0	0	1.55
31	90116-KAE-000	BOLT-WASHER, 6X22	004	0	0	1.14
32	90117-KAE-000	BOLT-WASHER, 6X28	002	0	0	1.14
34	93901-22180	SCREW, TAPPING, 3X8	001	0	0	0.34
37	95002-01110	CLIP, TUBE (A11)	004	0	0	0.80
38	95002-01140	CLIP, TUBE (A14)	002	0	0	1.25
39	95002-02100	CLIP, TUBE (B10)	003	0	0	0.45

MD24-1201908 CRM250R CRM250RM 1991 J

E-9 CRANKSHAFT/PISTON



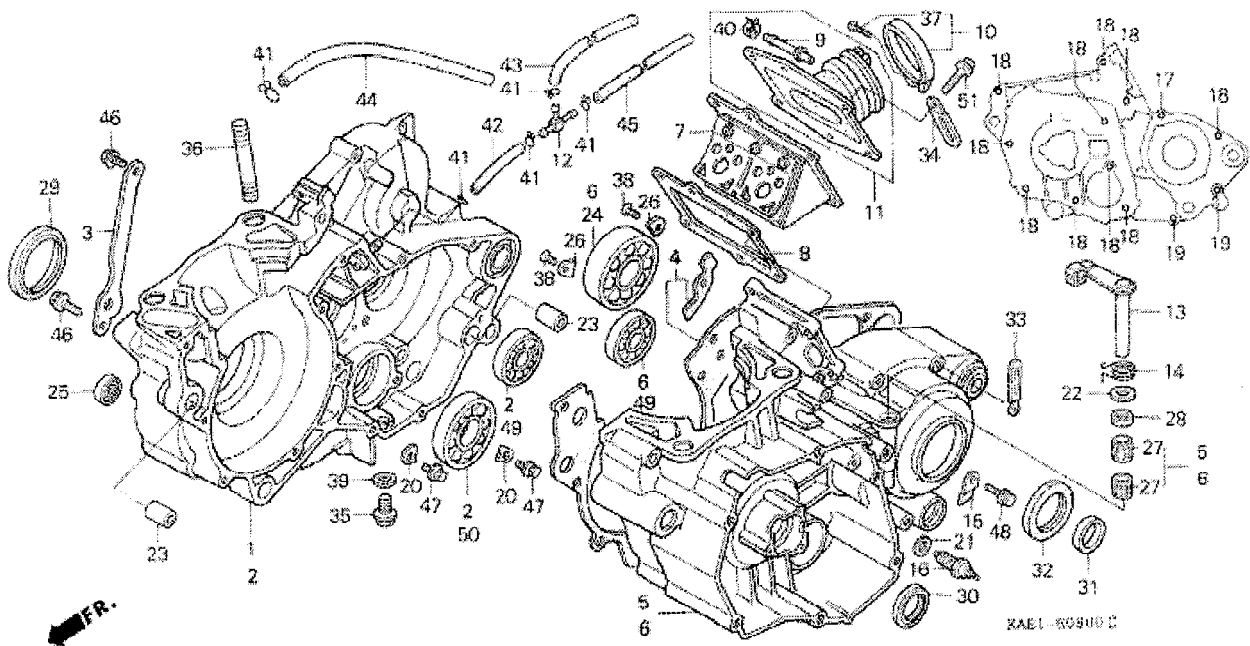
FR.

Refnr	Part Number	Description	Unit Qty	Order Qty	Repair Qty	Price GBP
1	13000-KAE-870	CRANKSHAFT COMP.	001	0	0	439.40
2	13011-KAE-010	RING SET, PISTON (STD.) (NIPPON)	001	0	0	28.33
3	13101-KAE-870	PISTON COMP. A	001	0	0	74.12
3	13102-KAE-870	PISTON COMP. B	001	0	0	74.12
3	13103-KAE-870	PISTON COMP. C	001	0	0	74.12
4	13111-KAE-870	PIN, PISTON	001	0	0	11.57
5	13331-360-000	KEY, SPECIAL WOODRUFF, 25X14	001	0	0	2.27
6	13421-KAE-000	SHAFT, BALANCER	001	0	0	73.29
7	13422-KAE-870	GEAR, BALANCER DRIVEN (40T)	001	0	0	97.91
8	90404-GS2-000	WASHER, SPRING, 12MM	001	0	0	2.02
9	90442-KAE-000	PLATE B, BEARING STOPPER	001	0	0	2.11
10	90446-KA4-740	WASHER, THRUST, 17.2MM	001	0	0	3.41
11	90702-KAE-000	KEY, 4X5X10	001	0	0	1.71
12	90703-KAE-870	KEY, 4X5X23	001	0	0	1.71
13	91002-KAE-003	BEARING, RADIAL BALL, 17X37X12	001	0	0	10.48
13	91002-KAE-004	BEARING, RADIAL BALL, 17X37X12	001	0	0	10.48
14	91005-KAE-000	BEARING, NEEDLE, 25X34X14	001	0	0	21.03
15	91008-KAE-003	BEARING, BALL, 63/28 CS-30 (KOYO)	002	0	0	20.38
16	91015-KAE-003	BEARING, CONNECTING ROD SMALL END (BLUE)	001	0	0	8.69
17	91201-KAE-003	OIL SEAL, 25X37X6	001	0	0	2.32
18	91354-KAE-000	O-RING, 24.5X2	001	0	0	0.86
19	94002-12290-0S	NUT, HEX., 12MM	001	0	0	0.52
20	94601-19000	CLIP, PISTON PIN, 19MM	002	0	0	0.40
21	95701-06012-00	BOLT, FLANGE, 6X12	001	0	0	0.45

37	93500-05032-0G	SCREW, PAN, 5X32	001	0	0	0.40
39	94109-12000	WASHER, DRAIN PLUG, 12MM	001	0	0	0.31
40	95002-40750-08	CLAMP, TUBE (D7.5)	001	0	0	0.66
41	95002-50000	CLIP, TUBE (C9)	001	0	0	0.34
44	95005-50410-30	TUBE, 5X410 (95005-50001-30M)	001	0	0	2.43
46	95701-06012-00	BOLT, FLANGE, 6X12	002	0	0	0.45
47	95701-06014-00	BOLT, FLANGE, 6X14	002	0	0	0.45
48	96001-06012-07	BOLT, FLANGE, 6X12	001	0	0	0.52
49	96140-62030-00	BEARING, RADIAL BALL, 6203U	002	0	0	6.47
50	91003-KAE-871	BEARING, RADIAL BALL, 24X56X15	001	0	0	17.97
51	95701-06022-00	BOLT, FLANGE, 6X22	006	0	0	0.52

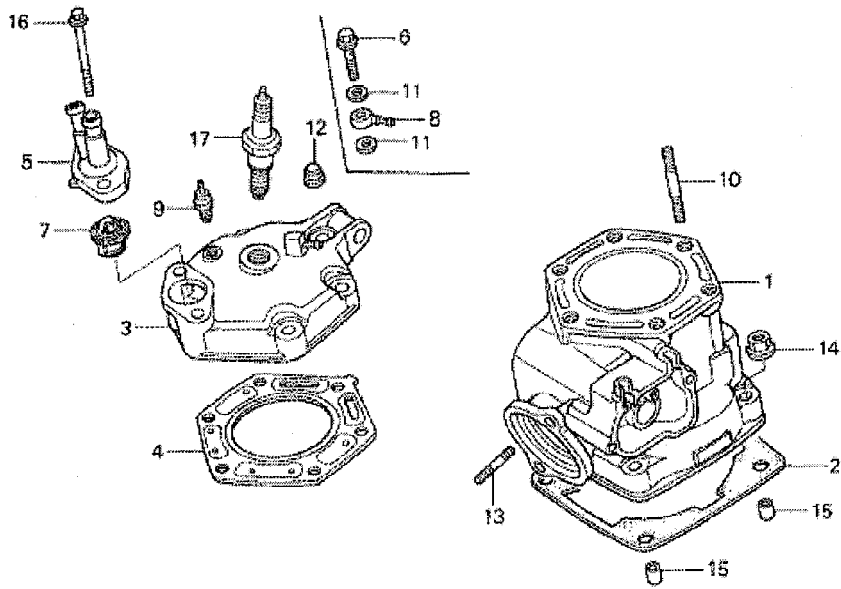
MD24-1201908 CRM250R CRM250RM 1991 J

E-8 CRANKCASE



Refnr	Part Number	Description	Unit Qty	Order Qty	Repair Qty	Price GBP
2	11100-KAE-870HA	CRANKCASE COMP., R. (MD24E)	001	0	0	206.89
3	11101-KAE-000	PLATE, OIL PASS	001	0	0	2.11
4	11191-KAE-010	GASKET, CRANKCASE	001	0	0	9.57
6	11200-KAE-870	CRANKCASE COMP., L.	001	0	0	278.68
7	14100-KAE-871	VALVE ASSY., REED	001	0	0	74.53
8	14132-KAE-000	GASKET A, REED VALVE	001	0	0	1.83
9	15516-KAE-000	JOINT, OIL TUBE	001	0	0	0.00
10	16219-MN4-000	BAND C, INSULATOR	001	0	0	4.22
11	16220-KAE-870	INSULATOR ASSY., CARBURETOR	001	0	0	40.91
13	22810-KAE-000	LIFTER COMP., CLUTCH	001	0	0	22.84
14	22815-KAE-870	SPRING, CLUTCH LEVER	001	0	0	1.57
15	22871-KAE-000	STOPPER, CLUTCH CABLE	001	0	0	2.02
16	35600-HA0-003	SWITCH ASSY., NEUTRAL (TOYO)	001	0	0	10.23
17	90001-GHB-800	BOLT, FLANGE, 6X85	001	0	0	1.31
18	90001-GHB-750	BOLT, FLANGE, 6X60	010	0	0	1.31
19	90001-GHB-780	BOLT, FLANGE, 6X75	002	0	0	1.36
20	90441-KJ1-000	PLATE, BEARING HOLDER	002	0	0	2.58
21	90443-KR0-000	WASHER, NEUTRAL SWITCH	001	0	0	0.31
22	90529-KAE-000	WASHER, 12.5X23X1	001	0	0	1.06
23	90701-KAE-000	DOWEL PIN, 14X28	002	0	0	1.43
24	91004-KAE-003	BEARING, RADIAL BALL, 24X56X14	001	0	0	8.78
27	91053-719-005	BEARING, NEEDLE, 12X16X10 (NTN)	002	0	0	16.19
28	91201-951-003	OIL SEAL, 12X18X3 (ARAI)	001	0	0	2.59
29	91202-KAE-004	OIL SEAL, 38X52X8 (NOK)	001	0	0	16.53
29	91202-KAE-003	OIL SEAL, 38X52X9 (ARAI)	001	0	0	16.53
30	91203-KAE-003	OIL SEAL, 22X34X7 (ARAI)	001	0	0	3.25
31	91203-KA4-772	OIL SEAL, 14X22X5 (ARAI)	001	0	0	2.98
32	91254-187-005	OIL SEAL, 24X40X7	001	0	0	3.48
33	91410-679-000	CLIP, 2X60	001	0	0	3.30
34	91413-679-000	CLIP, 2X70	001	0	0	1.16
35	92800-12000	BOLT, DRAIN PLUG, 12MM	001	0	0	1.16
36	92900-10040-3B	BOLT, STUD, 10X40	004	0	0	1.17

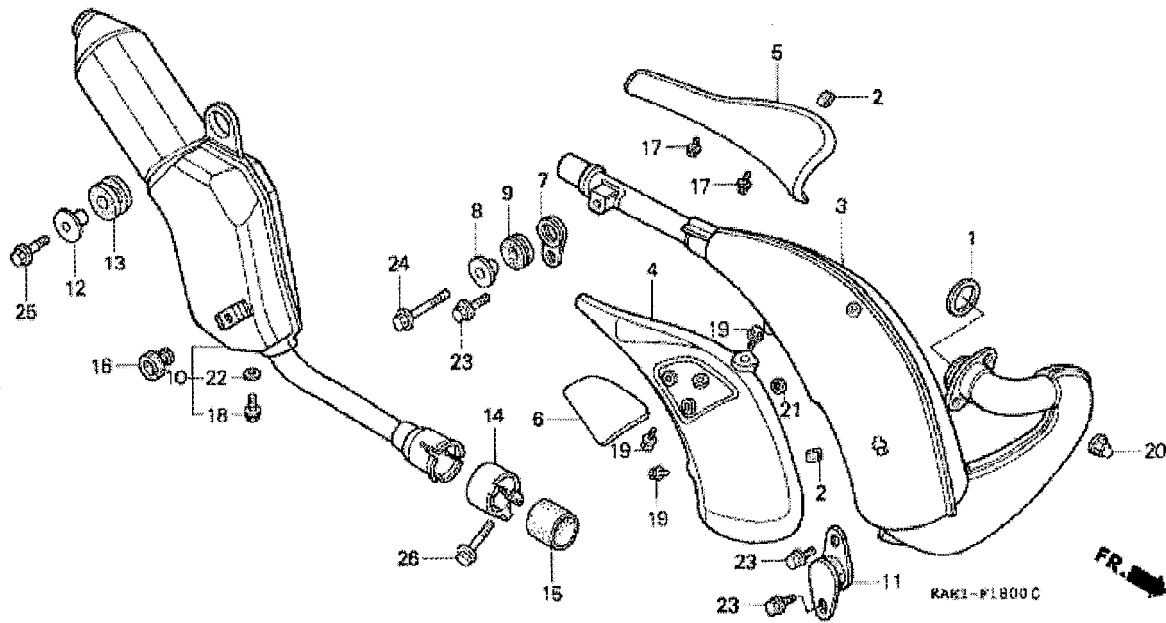
MD24-1201908 CRM250R CRM250RM 1991 J
E-1 CYLINDER/CYLINDER HEAD



Refnr	Part Number	Description	Unit Qty	Order Qty	Repair Qty	Price GBP
1	12110-KAE-870	CYLINDER COMP. A	001	0	0	502.46
1	12120-KAE-870	CYLINDER COMP. B	001	0	0	502.46
1	12130-KAE-870	CYLINDER COMP. C	001	0	0	502.46
2	12191-KAE-010	GASKET, CYLINDER	001	0	0	5.06
3	12200-KAE-870	HEAD, CYLINDER	001	0	0	0.00
4	12251-KAE-000	GASKET, CYLINDER HEAD	001	0	0	16.62
5	12304-KAE-000	COVER, THERMOSTAT	001	0	0	18.16
7	19300-KAE-023	THERMOSTAT ASSY.	001	0	0	30.30
9	37750-PC1-004	THERMO UNIT (DENSO)	001	0	0	38.17
10	90011-HA2-000	BOLT, SPECIAL STUD	004	0	0	2.48
12	90443-107-000	NUT, CAP, 8MM	004	0	0	1.83
13	92900-08025-0B	BOLT, STUD, 8X25	002	0	0	0.73
14	94050-10000	NUT, FLANGE, 10MM	004	0	0	0.62
15	94301-12200	DOWEL PIN, 12X20	002	0	0	1.00
16	95701-08060-00	BOLT, FLANGE, 8X60	002	0	0	0.73
17	98079-58816	PLUG, SPARK (BR8ES) (NGK)	001	1	1	2.96

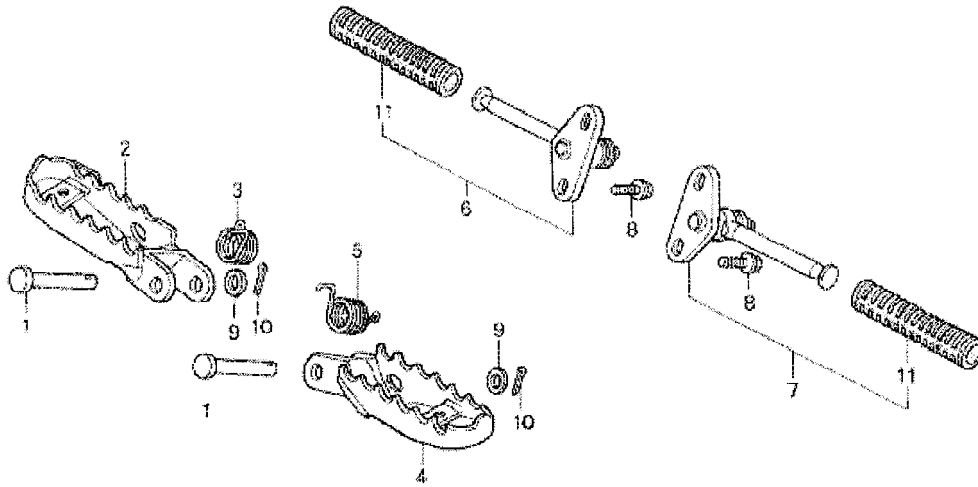
MD24-1201908 CRM250R CRM250RM 1991 J

F-18 EXPANSION CHAMBER



Refnr	Part Number	Description	Unit Qty	Order Qty	Repair Qty	Price GBP
1	18291-KAE-870	GASKET, EX. PIPE	001	0	0	2.75
2	18293-147-000	RUBBER, PROTECTOR PACKING	001	0	0	2.11
3	18300-KAE-870	CHAMBER COMP., EX.	001	0	0	269.86
5	18315-KAE-870	PROTECTOR, CHAMBER	001	0	0	21.26
7	18325-KAE-000	STAY, CHAMBER RR.	001	0	0	5.99
8	18327-KAE-000	COLLAR, CHAMBER RR. (8.5X15)	001	0	0	0.99
9	18328-KAE-000	RUBBER, CHAMBER RR. MOUNTING	001	0	0	2.52
10	18330-KAE-870	SILENCER COMP.	001	0	0	187.98
11	18355-KAE-000	STAY, CHAMBER FR.	001	0	0	9.94
12	18356-KAE-000	COLLAR, SILENCER MOUNTING	001	0	0	1.78
13	18357-KAE-000	RUBBER, SILENCER MOUNTING	001	0	0	3.78
14	18374-MN1-670	BAND, L. EX. PIPE	001	0	0	8.90
15	18391-MN1-670	PACKING, MUFFLER	001	0	0	11.13
16	83512-KA4-700	RUBBER, SIDE COVER	001	0	0	2.73
17	90012-GS9-670	BOLT, FLANGE, 6X8	002	0	0	1.20
18	90102-HC4-000	BOLT, FLANGE, 6X10	001	0	0	0.86
20	90304-ME1-670	NUT, CAP, 8MM	002	0	0	3.13
22	90543-273-000	PACKING, FR. FORK DRAIN COCK	001	0	0	0.58
23	96300-08014-07	BOLT, FLANGE, 8X14	003	0	0	0.68
24	96300-08025-07	BOLT, FLANGE, 8X25	001	0	0	0.73
25	96300-08028-07	BOLT, FLANGE, 8X28	001	0	0	0.73
26	96300-08035-07	BOLT, FLANGE, 8X35	001	0	0	0.73

MD24-1201908 CRM250R CRM250RM 1991 J
F-20 STEP

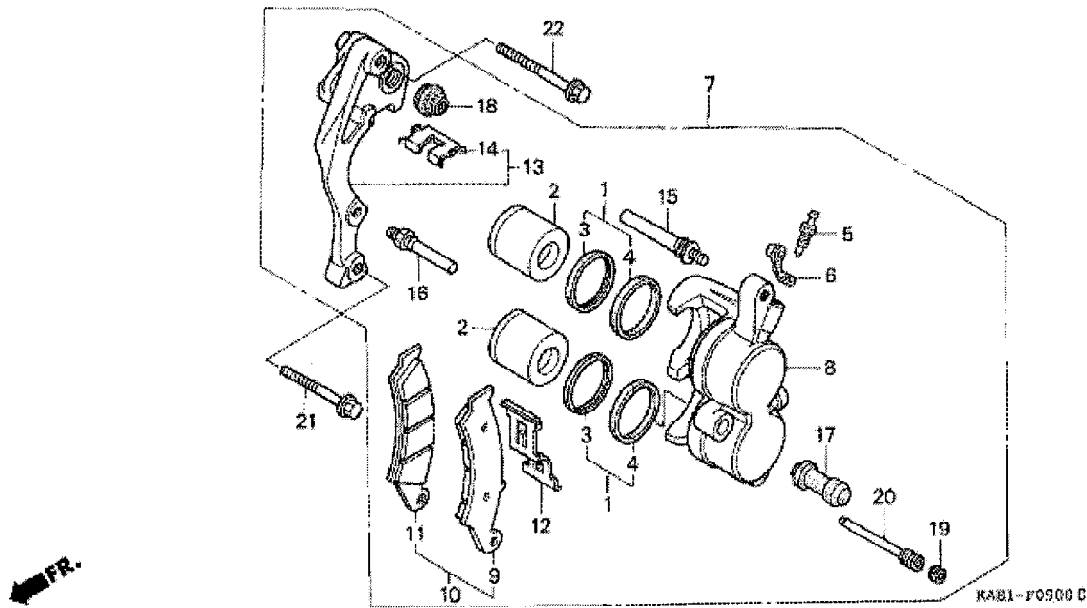


KAE1-P2000 A

Refnr	Part Number	Description	Unit Qty	Order Qty	Repair Qty	Price GBP
1	50603-GN1-761	PIN, STEP BAR JOINT	002	0	0	1.35
2	50616-KAE-870	STEP COMP., R.	001	0	0	19.49
3	50617-KAE-000	SPRING, R. STEP RETURN	001	0	0	2.31
4	50642-KAE-870	STEP COMP., L.	001	0	0	19.49
5	50644-KAE-000	SPRING, L. STEP RETURN	001	0	0	2.60
6	50700-KAE-000	STEP ASSY., R. PILLION	001	0	0	24.39
7	50705-KAE-000	STEP ASSY., L. PILLION	001	0	0	24.39
8	90102-KAE-000	BOLT, FLANGE, 8X20	004	0	0	0.96
9	94102-08700	WASHER, PLAIN, 8MM	002	0	0	0.34
10	94201-20150	PIN, SPLIT, 2.0X15	002	0	0	0.37
11	95011-51000	RUBBER A, KICK STARTER	002	0	0	0.92

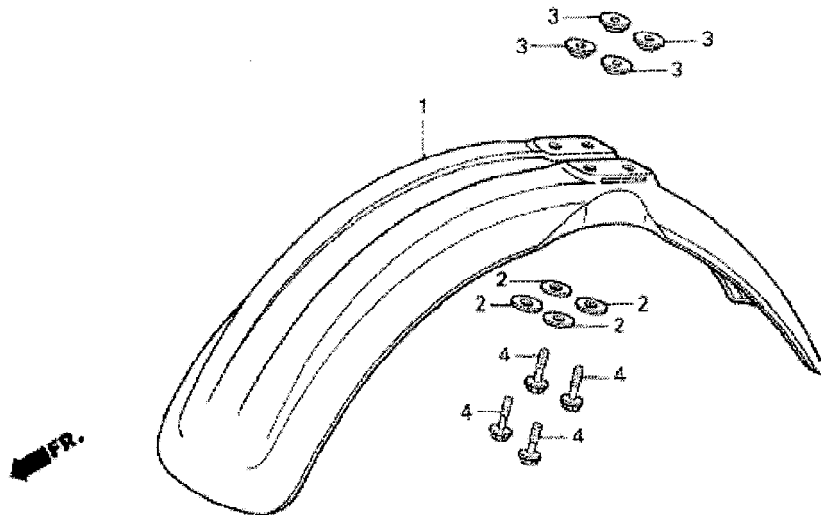
MD24-1201908 CRM250R CRM250RM 1991 J

F-9 FRONT BRAKE CALIPER



Refnr	Part Number	Description	Unit Qty	Order Qty	Repair Qty	Price GBP
1	06431-MA3-405	SEAL SET, PISTON	002	0	0	7.68
2	45107-KS6-702	PISTON COMP.	002	0	0	29.78
5	43352-568-003	SCREW, BLEEDER (NISSIN)	001	0	0	3.59
6	43353-461-771	CAP, BLEEDER	001	0	0	3.02
7	45100-KAE-871	CALIPER ASSY., L. FR. (NISSIN)	001	0	0	367.26
8	45101-ML3-911	BODY, L. FR. CALIPER	001	0	0	124.62
9	45105-KV6-701	PAD COMP. A, FR.	001	0	0	16.19
11	45106-KV6-701	PAD COMP. B, FR.	001	0	0	16.19
12	45108-HA5-671	SPRING, PAD	001	0	0	6.43
13	45110-KS6-701	BRACKET COMP., L. FR.	001	0	0	57.87
14	45112-KS6-701	RETAINER	001	0	0	3.26
15	45131-HA5-672	BOLT A, PIN	001	0	0	7.20
16	45131-KAE-006	BOLT, PIN	001	0	0	3.10
17	45132-166-016	BOOT, PIN BUSH (NISSIN)	001	0	0	1.78
18	45133-MA3-006	BOOT B	001	0	0	3.26
19	45203-MG3-016	PLUG, PIN	001	0	0	2.34
20	45215-HA5-672	PIN, HANGER	001	0	0	1.93
21	96300-08045-00	BOLT, FLANGE, 8X45	001	0	0	0.76
22	96300-08045-00	BOLT, FLANGE, 8X45	001	0	0	0.76

MD24-1201908 CRM250R CRM250RM 1991 J
F-7 FRONT FENDER



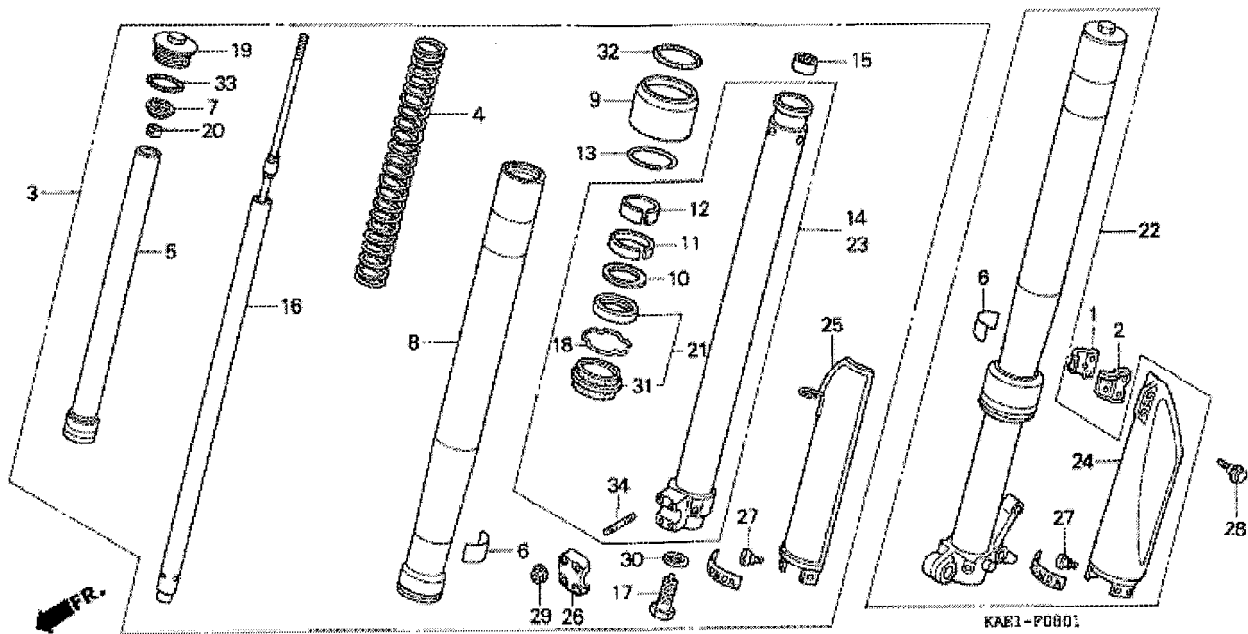
BAE1-P0705A

Refnr	Part Number	Description	Unit Qty	Order Qty	Repair Qty	Price GBP
1	61100-KA3-732ZB	FENDER, FR. *NH196 * (NH196 ROSS WHITE)	001	0	0	26.85
2	94103-06000	WASHER, PLAIN, 6MM	004	0	0	0.34
3	90512-300-000	WASHER, 6X20	004	0	0	0.85
4	96300-06025-00	BOLT, FLANGE, 6X25	004	0	0	0.68

27	90106-KZ3-000	BOLT, DISK, 6X13	006	0	0	1.32
28	90113-KZ3-000	BOLT, FLANGE, 6MM	002	0	0	1.44
29	90301-473-003	NUT, U, 6MM	004	0	0	2.05
30	90544-KS7-003	WASHER, SPECIAL	002	0	0	1.90
31	91254-KZ3-003	SEAL, DUST	002	0	0	5.22
32	91355-KZ3-003	O-RING, 54.6X2.4	002	0	0	2.77
33	91356-KZ3-003	O-RING, 44.7X2.4	002	0	0	2.76
34	92900-06025-0E	BOLT, STUD, 6X25	004	0	0	0.52

MD24-1201908 CRM250R CRM250RM 1991 J

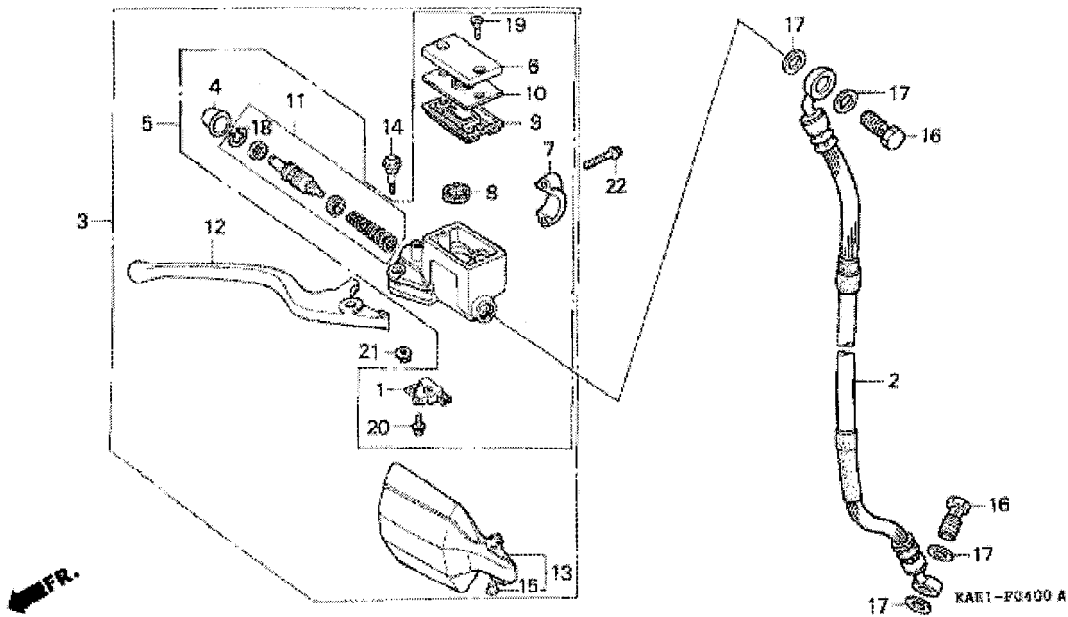
F-8-1 FRONT FORK (2)



Refnr	Part Number	Description	Unit Qty	Order Qty	Repair Qty	Price GBP
1	45462-MG3-650	CLAMPER B, FR. BRAKE CABLE	001	0	0	4.21
2	45461-MG3-650	CLAMPER A, FR. BRAKE CABLE	001	0	0	3.86
3	51400-KAE-871ZA	FORK ASSY., R. FR. (WL) (SHOWA) *TYPE1 * (TYPE1)	001	0	0	674.32
3	51400-KAE-871ZB	FORK ASSY., R. FR. (WL) (SHOWA) *TYPE2 * (TYPE2)	001	0	0	674.32
4	51401-KAE-871	SPRING, FR. CUSHION (SHOWA)	002	0	0	24.85
5	51404-KAE-871	COLLAR COMP., SPRING (SHOWA)	002	0	0	68.82
6	51405-KV3-782	LABEL (SHOWA)	002	0	0	3.58
7	51408-KAE-871	STOPPER, SPRING SEAT (SHOWA)	002	0	0	6.60
8	51410-KAE-871ZA	TUBE, OUTER *TYPE1 * (TYPE1)	002	0	0	276.91
8	51410-KAE-871ZB	TUBE, OUTER *TYPE2 * (TYPE2)	002	0	0	240.91
9	51411-KZ3-731	CASE, OIL SEAL	002	0	0	20.63
10	51412-KZ3-003	RING, BACK UP	002	0	0	5.59
11	51414-KZ3-701	BUSH, GUIDE	002	0	0	9.02
12	51415-KZ3-701	BUSH, SLIDER	002	0	0	6.72
13	51419-KZ3-003	RING, STOPPER	002	0	0	1.08
14	51420-KAE-871	PIPE COMP., R. SLIDE (SHOWA)	001	0	0	271.59
15	51421-KAE-871	PLATE, CENTERING (SHOWA)	002	0	0	0.00
16	51430-KAE-871	DAMPER COMP. (SHOWA)	002	0	0	0.00
17	51441-KAE-871	BOLT COMP., CENTER (SHOWA)	002	0	0	61.25
18	51447-KZ3-003	RING, OIL SEAL STOPPER	002	0	0	2.73
19	51450-KAE-871	BOLT, FR. FORK (SHOWA)	002	0	0	21.39
20	51451-KAE-871	NUT, LOCK (SHOWA)	002	0	0	5.29
21	51490-KZ3-821	SEAL SET, FR. FORK	002	0	0	13.99
22	51500-KAE-871ZA	FORK ASSY., L. FR. (WL) (SHOWA) *TYPE1 * (TYPE1)	001	0	0	680.34
22	51500-KAE-871ZB	FORK ASSY., L. FR. (WL) (SHOWA) *TYPE2 * (TYPE2)	001	0	0	680.34
23	51520-KAE-871	PIPE COMP., L. SLIDE (SHOWA)	001	0	0	193.18
24	51610-ML3-910	PROTECTOR, L. FR. FORK	001	0	0	29.52
25	51620-KAE-870	PROTECTOR, R. FR. FORK	001	0	0	35.00
26	51634-KZ3-003	HOLDER, AXLE	001	0	0	15.41

MD24-1201908 CRM250R CRM250RM 1991 J

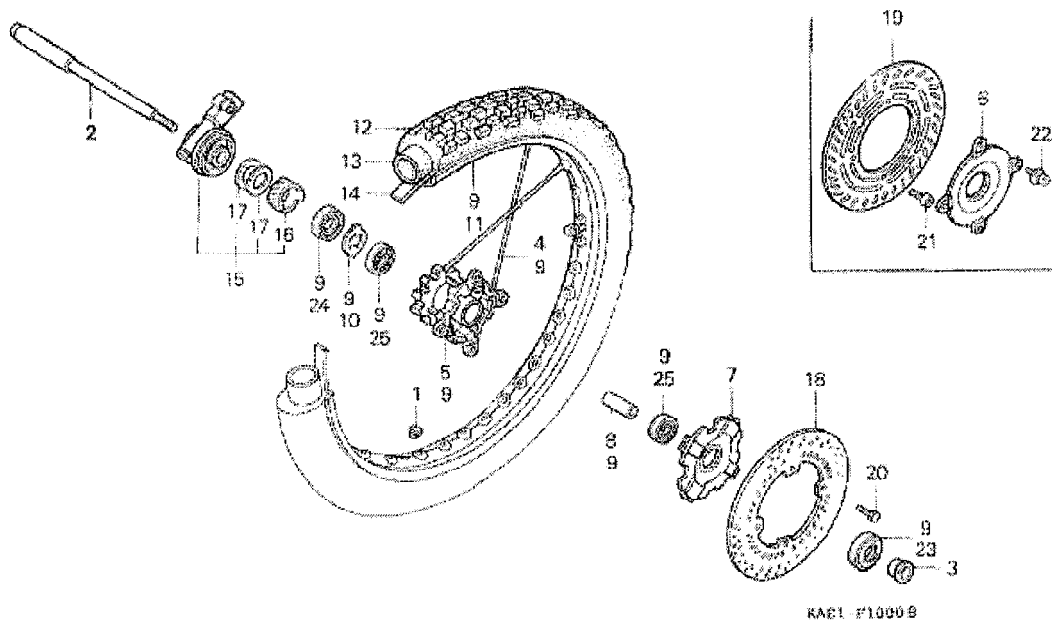
F-4 FR. BRAKE MASTER CYLINDER



Refnr	Part Number	Description	Unit Qty	Order Qty	Repair Qty	Price GBP
1	35340-MA5-671	SWITCH ASSY., FR. STOP	001	0	0	16.01
2	45125-KAE-871	HOSE, FR. BRAKE	001	0	0	0.00
3	45500-KAE-871ZB	CYLINDER ASSY., FR. BRAKE MASTER (NISSIN) *NH196R * (NH196R ROSS WHITE)	001	0	0	188.09
3	45500-KAE-871ZD	CYLINDER ASSY., FR. MASTER *NH196 * (NH196 ROSS WHITE)	001	0	0	188.09
4	45504-410-003	BOOT COMP.	001	0	0	6.18
6	45513-KAE-871	CAP, MASTER CYLINDER (NISSIN)	001	0	0	10.96
7	45517-GW0-751	HOLDER, MASTER CYLINDER	001	0	0	8.37
8	45518-MG3-016	SEPARATOR COMP.	001	0	0	5.84
9	45520-MG7-006	DIAPHRAGM	001	0	0	7.74
10	45521-HA2-006	PLATE, DIAPHRAGM	001	0	0	5.35
11	45530-KJ1-701	CYLINDER SET, MASTER	001	0	0	38.40
12	53175-KAE-870	LEVER, R. STEERING HANDLE	001	0	0	12.64
13	53180-KF0-770ZF	GUARD, R. KNUCKLE *NH196 * (NH196 ROSS WHITE)	001	0	0	26.07
14	90113-KF0-770	BOLT, HANDLE LEVER PIVOT	001	0	0	3.04
15	90127-KF0-770	COLLAR, 6X4	001	0	0	1.97
16	90145-MS9-611	BOLT, OIL, 10X22	002	0	0	5.04
17	90545-300-000	WASHER, OIL BOLT	004	0	0	1.96
18	90651-MA5-671	CIRCLIP	001	0	0	1.16
19	93600-04012-1G	SCREW, FLAT, 4X12	002	0	0	0.34
20	93893-04012-17	SCREW-WASHER, 4X12	001	0	0	0.62
21	94050-06000	NUT, FLANGE, 6MM	001	0	0	0.56
22	96001-06022-00	BOLT, FLANGE, 6X22	002	0	0	0.68

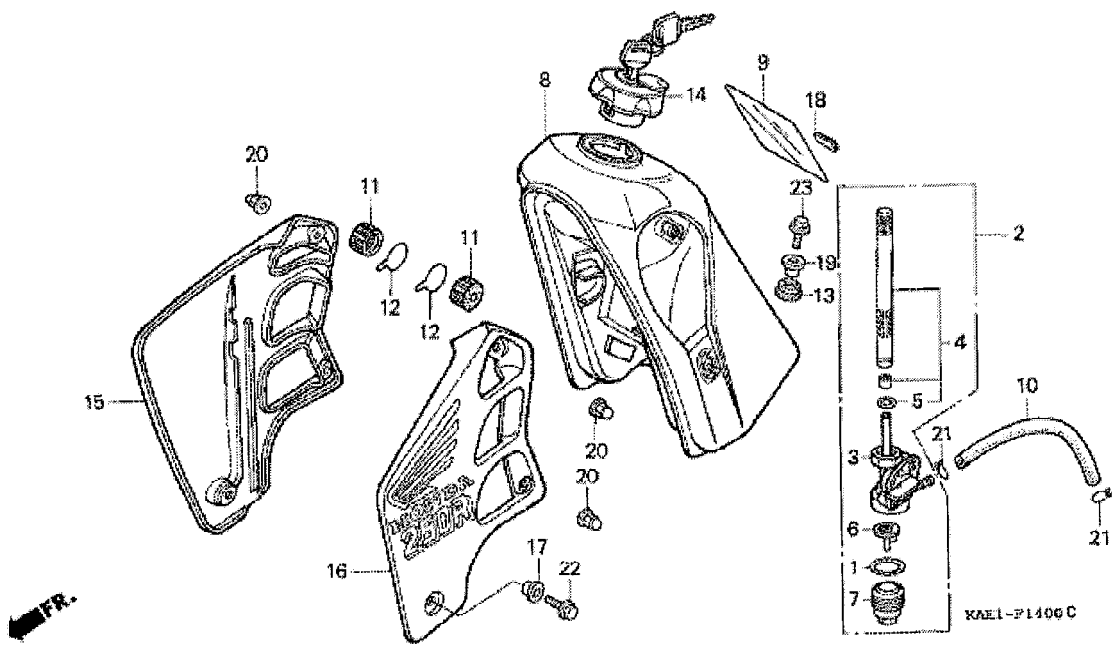
MD24-1201908 CRM250R CRM250RM 1991 J

F-10 FRONT WHEEL



Refnr	Part Number	Description	Unit Qty	Order Qty	Repair Qty	Price GBP
1	42717-329-000	CAP, RIM HOLE	001	0	0	3.92
2	44301-KAE-870	AXLE, FR. WHEEL	001	0	0	40.12
3	44311-KAE-870	COLLAR, FR. WHEEL	001	0	0	9.41
4	446A0-KZ9-003	SPOKE SET, FR. (A10X249)	036	0	0	2.34
5	44601-KAE-870	HUB, FR. WHEEL	001	0	0	172.77
7	44610-KW3-000ZB	COVER, FR. WHEEL HUB *NH1 * (NH1 BLACK)	001	0	0	6.83
8	44620-KAE-870	COLLAR, FR. AXLE DISTANCE	001	0	0	6.34
10	44680-MA0-000	RETAINER, GEAR BOX	001	0	0	3.26
11	44701-KAE-003	RIM, FR. WHEEL	001	0	0	192.86
12	44711-KAE-005	TIRE, FR. (INOUE) (3.00-21 4PR/51P GP-21F)	001	0	0	195.79
13	44712-KAE-005	TUBE, TIRE (INOUE) (2.75/3.00-21)	001	0	0	38.73
14	44713-446-631	FLAP, TIRE (IRC)	001	0	0	3.87
15	44800-KAE-871	BOX ASSY., SPEEDOMETER GEAR	001	0	0	81.64
16	44806-KF0-000	GEAR, SPEEDOMETER	001	0	0	17.17
17	44809-402-000	WASHER, SPEEDOMETER GEAR	002	0	0	0.67
18	45351-KV6-670	DISK, FR. BRAKE	001	0	0	63.78
20	90105-KAE-870	BOLT, DISK, 6X17	004	0	0	1.44
23	91259-KS6-831	DUST SEAL, 24X37X7 (NOK)	001	0	0	4.61
24	91258-410-006	DUST SEAL, 40X50X5 (NOK)	001	0	0	4.09
24	91258-410-013	DUST SEAL, 40X50X5 (ARAI)	001	0	0	4.09
25	91065-KA3-832	BEARING, RADIAL BALL, 6003-SH2	002	0	0	12.70

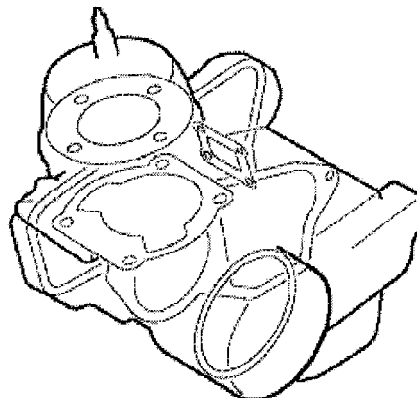
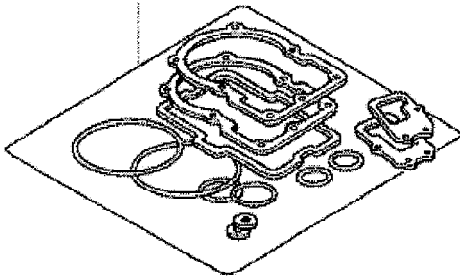
MD24-1201908 CRM250R CRM250RM 1991 J
F-14 FUEL TANK



Refnr	Part Number	Description	Unit Qty	Order Qty	Repair Qty	Price GBP
1	16173-001-004	PACKING, FUEL STRAINER CUP	001	0	0	3.59
2	16950-KAE-870	COCK ASSY., FUEL	001	0	0	50.35
4	16952-KAE-870	SCREEN, FUEL STRAINER	001	0	0	0.00
5	16958-MA1-731	O-RING	001	0	0	4.43
6	16959-471-831	FILTER, CUP	001	0	0	9.58
7	16967-GA6-671	CUP, FUEL STRAINER	001	0	0	11.08
8	17520-KAE-870ZA	TANK SET, FUEL (WL) *NH196/TYPE1 * (NH196/TYPE1 ROSS WHITE/TYPE1)	001	0	0	251.16
8	17520-KAE-870ZE	TANK SET, FUEL (WL) *TYPE2 * (TYPE2)	001	0	0	217.11
10	95001-55135-20	HOSE, FUEL, 5.3X135 (95001-55001-50M)	001	0	0	2.62
11	17611-429-000	CUSHION, FUEL TANK FR.	002	0	0	4.87
12	17612-KAE-870	TAPE, TANK MOUNTING RUBBER ADHESIVE	002	0	0	0.00
13	17613-KW3-000	CUSHION, FUEL TANK RR.	001	0	0	2.27
14	17620-KV6-023	FUEL FILL CAP COMP.	001	0	0	56.21
15	19071-KAE-870ZA	SHROUD SET, R. RADIATOR (WL) *NH196/TYPE1 * (NH196/TYPE1 ROSS WHITE/TYPE1)	001	0	0	46.02
15	19071-KAE-870ZD	SHROUD SET, R. RADIATOR (WL) *TYPE2 * (TYPE2)	001	0	0	46.02
16	19072-KAE-870ZA	SHROUD SET, L. RADIATOR (WL) *NH196/TYPE1 * (NH196/TYPE1 ROSS WHITE/TYPE1)	001	0	0	46.02
16	19072-KAE-870ZE	SHROUD SET, L. RADIATOR (WL) *TYPE2 * (TYPE2)	001	0	0	46.02
17	19509-KAE-000	COLLAR, 6X23	002	0	0	2.13
18	83643-355-300	TAPE, MAGIC (FEMALE) (25X50)	001	0	0	2.96
19	90124-KAE-000	COLLAR (8.7X17)	001	0	0	2.67
20	90201-415-000	NUT, CAP, 6MM	004	0	0	1.94
21	95002-01120	CLIP, TUBE (A12)	002	0	0	0.76
22	96001-06020-00	BOLT, FLANGE, 6X20	002	0	0	0.52
23	96400-08030-00	BOLT, FLANGE, 8X30	001	0	0	0.73

MD24-1201908 CRM250R CRM250RM 1991 J

EOP-1 GASKET KIT



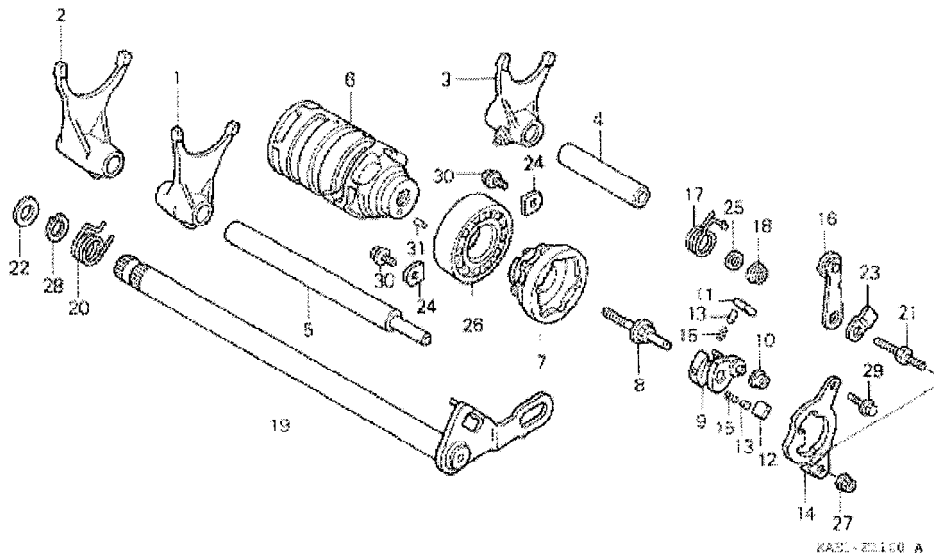
FR.

ENG3X003A

Refnr	Part Number	Description	Unit Qty	Order Qty	Repair Qty	Price GBP
1	06111-KAE-870	GASKET KIT	001	0	0	43.82
1	11191-KAE-010	GASKET, CRANKCASE	001	0	0	9.57
1	11349-KAE-010	GASKET, R. CRANKCASE COVER	001	0	0	10.30
1	12191-KAE-010	GASKET, CYLINDER	001	0	0	5.06
1	12251-KAE-000	GASKET, CYLINDER HEAD	001	0	0	16.62
1	14132-KAE-000	GASKET A, REED VALVE	001	0	0	1.83
1	18291-KAE-870	GASKET, EX. PIPE	001	0	0	2.75
1	19229-KAE-010	GASKET, WATER PUMP	001	0	0	2.81
1	90543-273-000	PACKING, FR. FORK DRAIN COCK	002	0	0	0.58
1	91303-800-000	O-RING, 16MM	002	0	0	1.65
1	91354-KAE-000	O-RING, 24.5X2	001	0	0	0.86
1	94109-12000	WASHER, DRAIN PLUG, 12MM	001	0	0	0.31

MD24-1201908 CRM250R CRM250RM 1991 J

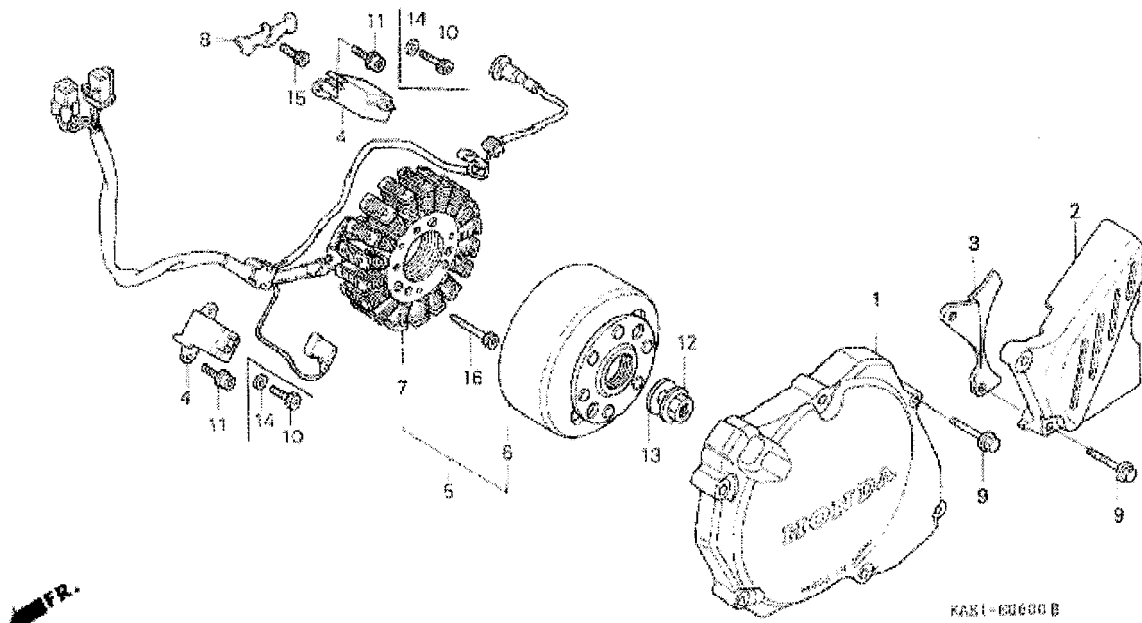
E-11 GEARSHIFT DRUM/ GEARSHIFT FORK



Refnr	Part Number	Description	Unit Qty	Order Qty	Repair Qty	Price GBP
1	24211-KAE-000	FORK, R. GEARSHIFT	001	0	0	49.69
2	24221-KAE-010	FORK, L. GEARSHIFT	001	0	0	216.53
3	24231-KAE-000	FORK, CENTER GEARSHIFT	001	0	0	0.00
4	24265-KAE-000	SHAFT, MAINSHAFT FORK	001	0	0	10.74
5	24266-KAE-010	SHAFT C, SHIFT FORK	001	0	0	17.36
6	24310-KAE-000	DRUM COMP., GEARSHIFT	001	0	0	93.02
7	24312-KAE-000	DRUM CENTER, SHIFT	001	0	0	34.08
8	24315-KA3-710	PIN, SHIFTER	001	0	0	8.23
9	24321-KAE-000	SHIFTER, DRUM	001	0	0	25.08
10	24322-MM4-000	COLLAR, SHIFTER	001	0	0	2.05
11	24324-KA3-710	PAWL A, RATCHET	001	0	0	5.13
12	24325-KA3-710	PAWL B, RATCHET	001	0	0	5.13
13	24326-KT7-000	PLUNGER, PAWL	002	0	0	3.45
14	24328-KAE-010	PLATE, GUIDE	001	0	0	4.95
15	24329-KA3-740	SPRING, PAWL PLUNGER	002	0	0	1.55
16	24430-KAE-000	STOPPER COMP., DRUM	001	0	0	0.00
17	24435-KAE-000	SPRING, DRUM STOPPER	001	0	0	2.29
18	24441-KAE-000	COLLAR, GEARSHIFT DRUM STOPPER	001	0	0	1.79
19	24610-KAE-000	SPINDLE COMP., GEARSHIFT	001	0	0	56.38
20	24651-KAE-000	SPRING, GEARSHIFT RETURN	001	0	0	3.38
21	90012-KAE-000	BOLT, SPECIAL, 6MM	001	0	0	1.90
22	90428-958-000	WASHER B, THRUST, 14MM	001	0	0	1.00
23	90441-KAE-000	PLATE A, BEARING STOPPER	001	0	0	2.11
24	90441-KJ1-000	PLATE, BEARING HOLDER	002	0	0	2.58
25	90443-KAE-000	WASHER, 5.3MM	001	0	0	1.06
26	91001-KAE-003	BEARING, RADIAL BALL, 6904U	001	0	0	11.37
26	91001-KAE-004	BEARING, RADIAL BALL, 6904U	001	0	0	11.37
27	94050-06000	NUT, FLANGE, 6MM	001	0	0	0.56
28	94510-14000	CIRCLIP, EXTERNAL, 14MM	001	0	0	0.40
29	95701-06012-00	BOLT, FLANGE, 6X12	001	0	0	0.45
30	95701-06014-00	BOLT, FLANGE, 6X14	002	0	0	0.45
31	96220-35098	ROLLER, 3.5X9.8	001	0	0	0.23

MD24-1201908 CRM250R CRM250RM 1991 J

E-6 GENERATOR/ L. CRANKCASE COVER

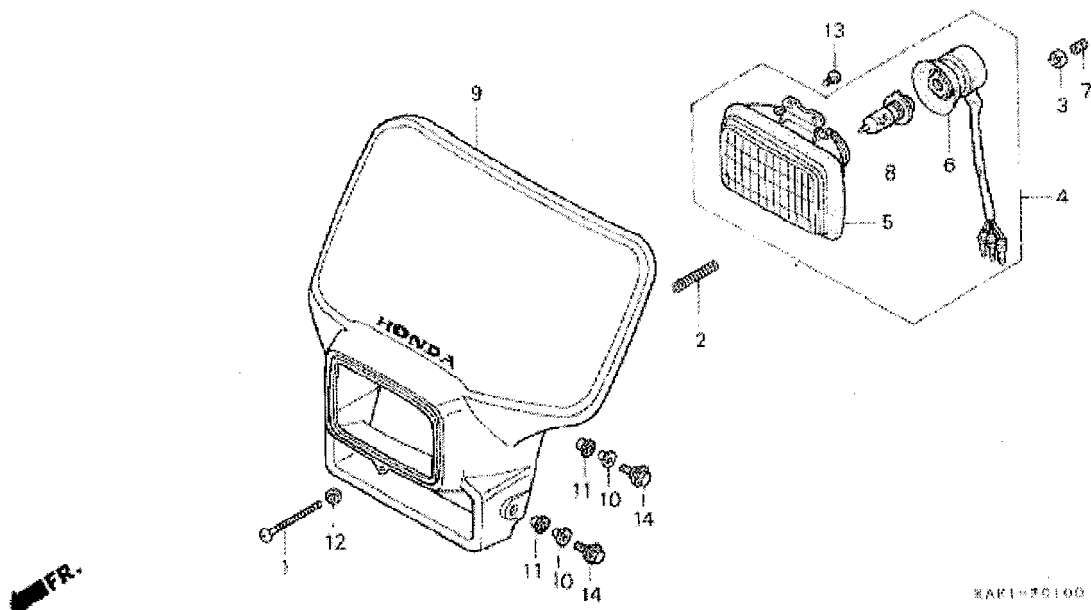


KAS1-60600 B

Refnr	Part Number	Description	Unit Qty	Order Qty	Repair Qty	Price GBP
1	11340-KAE-870	COVER COMP., L. CRANKCASE	001	0	0	75.95
2	23810-KAE-870	COVER COMP., DRIVE SPROCKET	001	0	0	12.65
3	23812-KAE-020	GUIDE, DRIVE CHAIN	001	0	0	9.00
4	30300-HA0-033	GENERATOR ASSY., PULSE (TEC)	002	0	0	18.97
5	31100-KAE-871	GENERATOR ASSY., FLYWHEEL TYPEA.C. (DENSO)	001	0	0	443.80
6	31110-KAE-871	FLYWHEEL COMP. (DENSO)	001	0	0	297.16
7	31120-KAE-871	STATOR COMP. (DENSO)	001	0	0	295.54
8	32131-KAE-000	CLAMPER, PULSE CORD	001	0	0	0.00
9	90001-GHB-690	BOLT, FLANGE, 6X32	008	0	0	0.98
11	90089-KAS-900	BOLT, FLANGE SOCKET, 5X14	004	0	0	0.85
12	90309-375-003	NUT, FLANGE, 12MM	001	0	0	5.29
13	90441-166-000	WASHER, PLAIN, 12MM	001	0	0	1.32
15	96600-06014-00	BOLT, SOCKET, 6X14	001	0	0	0.52
16	96700-06032-00	BOLT, SOCKET, 6X32	003	0	0	0.68

MD24-1201908 CRM250R CRM250RM 1991 J

F-1 HEADLIGHT

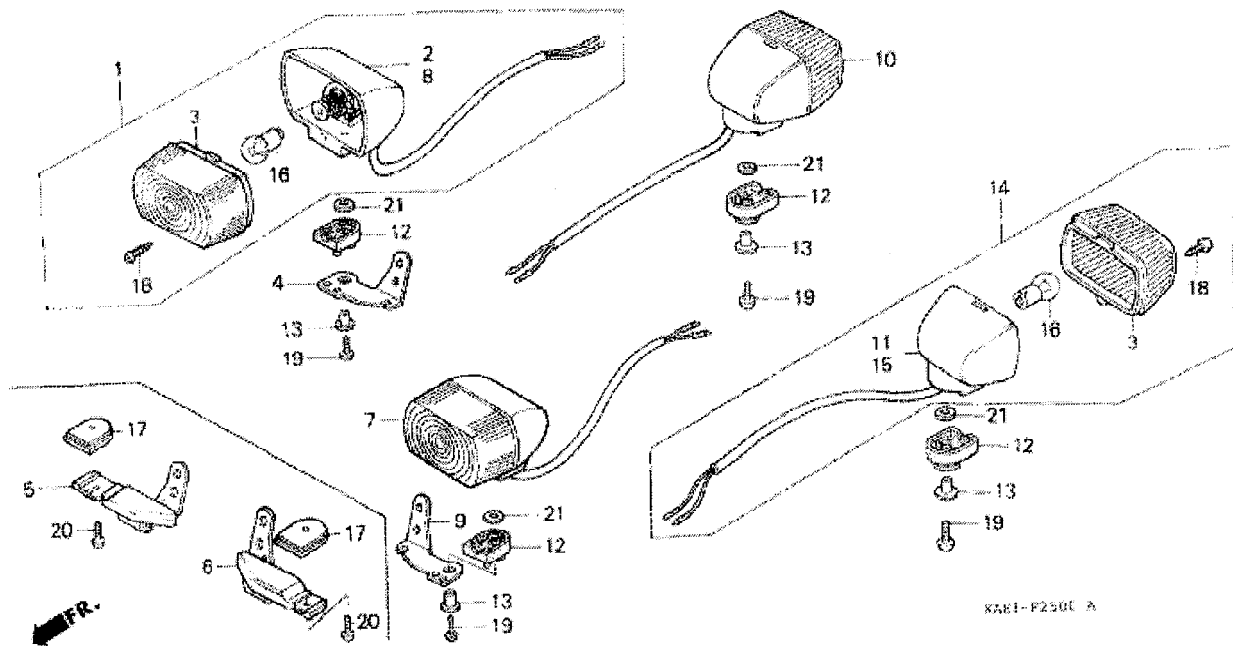


KAP1-70100

Refnr	Part Number	Description	Unit Qty	Order Qty	Repair Qty	Price GBP
1	33103-187-671	SCREW, BEAM ADJUSTING	001	0	0	1.55
2	33107-333-000	SPRING, HEADLIGHT BEAM ADJUSTING	001	0	0	0.49
3	33117-KA2-003	NUT, BEAM ADJUSTING (STANLEY)	001	0	0	0.93
4	33120-KAE-003	HEADLIGHT UNIT (12V 35/36.5W)	001	0	0	57.23
5	33123-KAE-003	HEADLIGHT COMP.	001	0	0	32.17
6	33130-KAE-003	SOCKET ASSY., HEADLIGHT	001	0	0	14.45
8	34901-GJ1-003	BULB, HEADLIGHT (12V 35/36.5W)	001	0	0	15.19
9	61300-KAE-870ZA	CASE SET, HEADLIGHT (WL) *NH196/TYPE1 * (NH196/TYPE1 ROSS WHITE/TYPE1)	001	0	0	73.58
9	61300-KAE-870ZF	CASE SET, HEADLIGHT (WL) *TYPE2 * (TYPE2)	001	0	0	73.58
13	93901-34210	SCREW, TAPPING, 4X10	002	0	0	0.34
14	90111-KAE-870	BOLT, RR. FENDER SETTING	004	0	0	1.41

MD24-1201908 CRM250R CRM250RM 1991 J

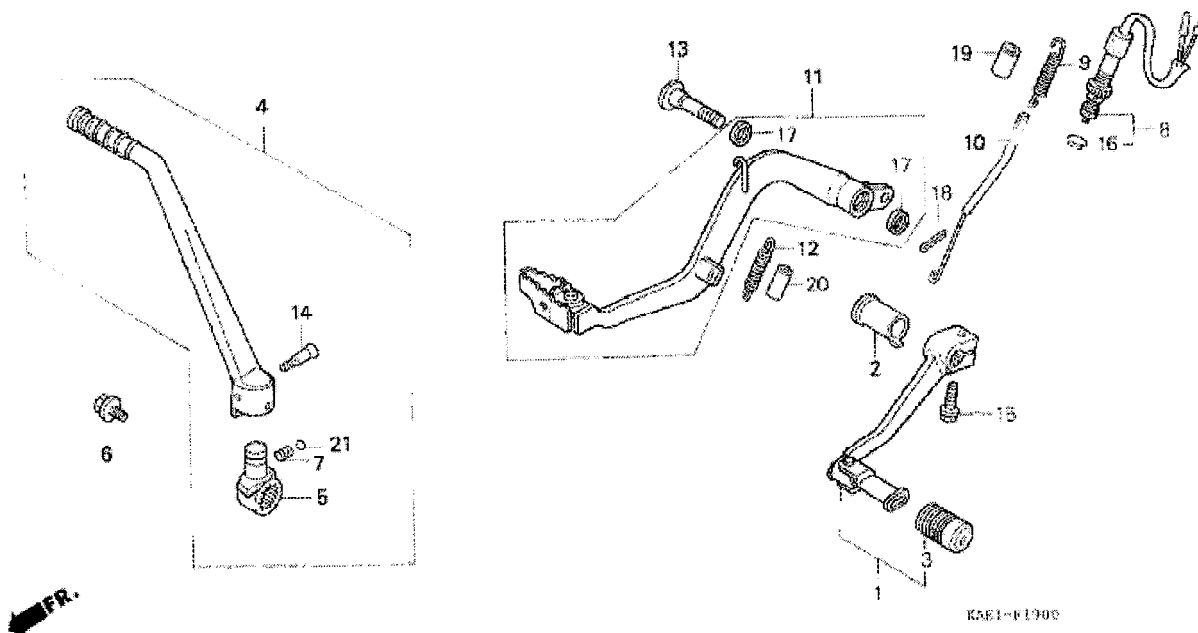
F-25 WINKER



Refnr	Part Number	Description	Unit Qty	Order Qty	Repair Qty	Price GBP
1	33600-KAE-871	WINKER ASSY., R. RR. (12V 15W)	001	0	0	6.18
2	33601-KAE-871	BASE COMP., R. WINKER	001	0	0	7.48
3	33402-GA7-003	LENS, WINKER	004	0	0	1.89
4	33407-KAE-871	STAY, R. FR. WINKER	001	0	0	10.03
7	33450-KAE-871	WINKER ASSY., L. FR. (12V 15W)	001	0	0	11.29
8	33451-KAE-871	BASE COMP., L. WINKER	001	0	0	5.00
9	33457-KAE-871	STAY, L. FR. WINKER	001	0	0	10.16
10	33600-KAE-871	WINKER ASSY., R. RR. (12V 15W)	001	0	0	6.18
11	33601-KAE-871	BASE COMP., R. WINKER	001	0	0	7.48
12	33611-KAE-000	RUBBER, WINKER	004	0	0	4.09
13	33612-KAE-000	COLLAR, WINKER	004	0	0	2.67
14	33650-KAE-871	WINKER ASSY., L. RR. (12V 15W)	001	0	0	6.18
15	33651-KAE-871	BASE COMP., L. WINKER	001	0	0	7.48
16	34905-GE8-601	BULB, WINKER (12V 15W)	004	0	0	1.10
18	90104-GT4-000	SCREW, TAPPING, 3X14	004	0	0	0.53
19	90140-KAE-000	SCREW, PAN, 4X28	004	0	0	0.71
21	94101-04800	WASHER, PLAIN, 4MM	004	0	0	0.34

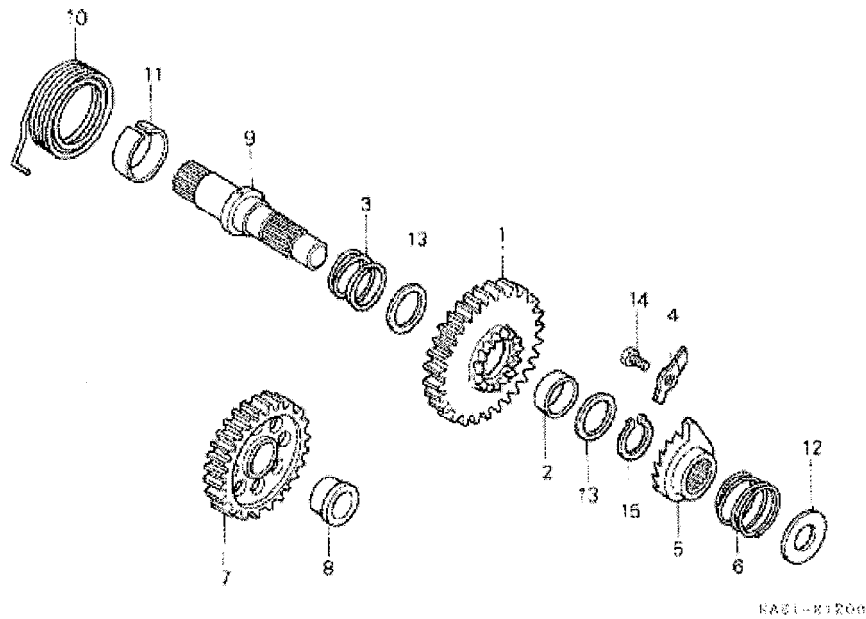
MD24-1201908 CRM250R CRM250RM 1991 J

F-19 PEDAL/KICK STARTER ARM



Refnr	Part Number	Description	Unit Qty	Order Qty	Repair Qty	Price GBP
1	24700-KAE-000	PEDAL COMP., CHANGE	001	0	0	35.55
2	24721-KAE-000	SLIDER, CHANGE SPINDLE	001	0	0	6.28
3	24781-KE1-000	RUBBER, CHANGE PEDAL	001	0	0	2.13
4	28300-KAE-000	ARM ASSY., KICK STARTER	001	0	0	104.36
5	28302-KAE-000	JOINT, KICK ARM	001	0	0	23.62
6	28306-KAE-000	BOLT, KICK JOINT	001	0	0	3.77
7	28333-KK0-000	SPRING, KICK STARTER	001	0	0	1.49
8	35350-KAE-000	SWITCH ASSY., RR. STOP	001	0	0	12.43
9	35357-KR3-670	SPRING, STOP SWITCH	001	0	0	4.82
10	35358-KAE-000	ROD, STOP SWITCH	001	0	0	49.44
11	46520-KAE-870	PEDAL COMP., RR. BRAKE	001	0	0	2.31
12	46511-KS6-701	SPRING, BRAKE PEDAL	001	0	0	7.03
13	90101-KAE-000	BOLT, RR. BRAKE PIVOT	001	0	0	2.15
14	90101-329-000	BOLT, KICK ARM	001	0	0	0.67
15	90103-KAE-000	BOLT, FLANGE, 6X20	001	0	0	0.78
16	90601-KAF-003	CLIP, SWITCH COVER	002	0	0	2.13
17	91251-444-000	DUST SEAL, 15X20X2.5	001	0	0	0.39
18	94201-20250	PIN, SPLIT, 2.0X25	001	0	0	0.03
21	96211-08000	BALL, STEEL, #8 (1/4)	001	0	0	

MD24-1201908 CRM250R CRM250RM 1991 J
E-12 KICK STARTER SPINDLE



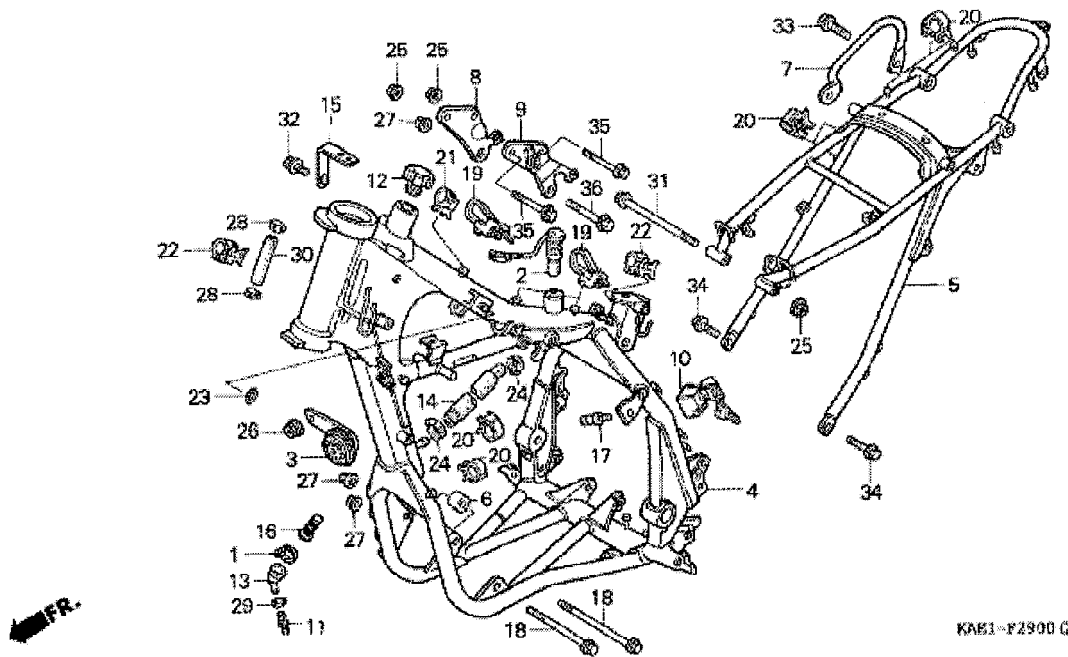
FR.

Refnr	Part Number	Description	Unit Qty	Order Qty	Repair Qty	Price GBP
1	28211-KAE-000	PINION, KICK STARTER	001	0	0	55.20
2	28212-KAE-000	COLLAR, KICK PINION	001	0	0	3.56
3	28213-KAE-000	SPRING, STARTER GEAR FRICTION	001	0	0	2.08
4	28215-KAE-000	PLATE, KICK STOPPER	001	0	0	2.33
5	28221-KA4-740	RATCHET, KICK STARTER	001	0	0	30.12
6	28223-KA4-740	SPRING, KICK STARTER RATCHET	001	0	0	2.37
7	28231-KAE-010	GEAR, KICK STARTER IDLE (29T)	001	0	0	43.71
8	28232-KAE-870	COLLAR, KICK STARTER IDLE GEAR	001	0	0	6.30
9	28251-KAE-000	SPINDLE, KICK STARTER	001	0	0	53.94
10	28261-KAE-000	SPRING, KICK STARTER RETURN	001	0	0	6.21
11	28282-KAE-000	COLLAR, KICK STARTER SPRING	001	0	0	3.56
12	90449-KAE-000	WASHER, SPECIAL, 14MM	001	0	0	1.98
13	90453-360-000	WASHER, THRUST, 20MM	002	0	0	1.60
14	93301-06016-0A	BOLT, HEX., 6X16	001	0	0	0.40
15	94510-19000	CIRCLIP, EXTERNAL, 19MM	001	0	0	0.45

31	95801-08140-00	BOLT, FLANGE, 8X140	001	0	0	1.45
32	96001-06010-00	BOLT, FLANGE, 6X10	001	0	0	0.52
33	96300-08016-00	BOLT, FLANGE, 8X16	001	0	0	0.68
34	96300-08020-00	BOLT, FLANGE, 8X20	002	0	0	0.68
35	96400-08055-00	BOLT, FLANGE, 8X55	002	0	0	0.76
36	96400-10050-00	BOLT, FLANGE, 10X50	001	0	0	0.92

MD24-1201908 CRM250R CRM250RM 1991 J

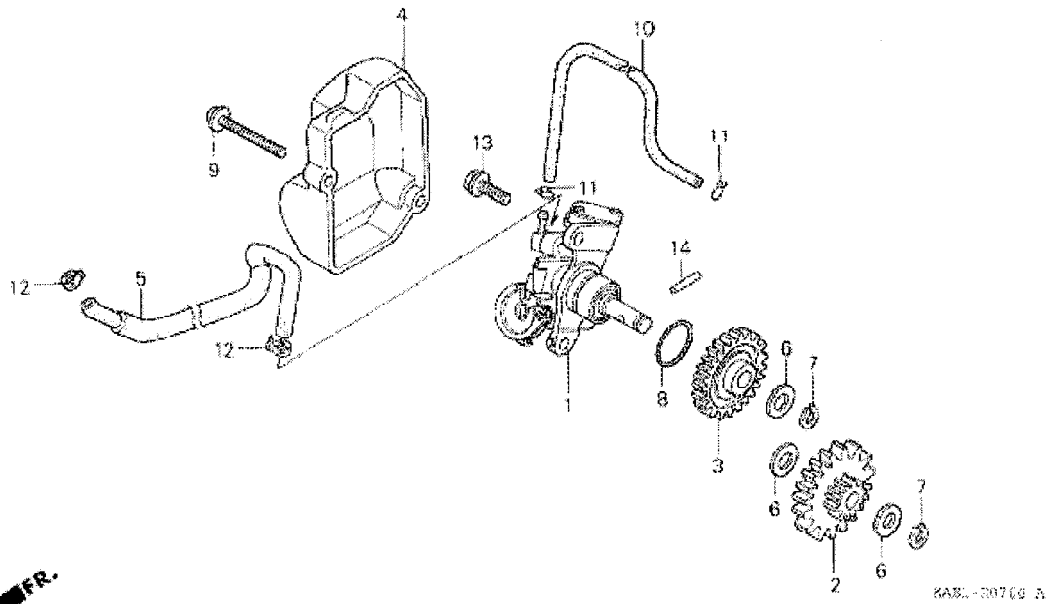
F-29 FRAME BODY



Refnr	Part Number	Description	Unit Qty	Order Qty	Repair Qty	Price GBP
1	19517-ML7-691	CLAMP, HOSE, 22-29MM	001	0	0	3.39
2	35410-GW6-701	SWITCH ASSY., OIL LEVEL	001	0	0	32.01
3	38110-KN5-652	HORN COMP.	001	0	0	19.29
4	50100-KAE-870ZA	BODY COMP., FRAME *NH196 * (NH196 ROSS WHITE)	001	0	0	926.47
5	50200-KAE-870ZA	BODY COMP., RR. FRAME *NH196 * (NH196 ROSS WHITE)	001	0	0	383.12
6	50140-MK5-680	COLLAR, ENGINE HANGER LOWER	001	0	0	3.22
7	50311-KAE-000ZB	GRIP, R. RR. *NH196 * (NH196 ROSS WHITE)	001	0	0	22.31
8	50401-KAE-870	PLATE, R. UPPER ENGINE HANGER	001	0	0	10.25
9	50402-KAE-010	PLATE, L. UPPER ENGINE HANGER	001	0	0	12.09
10	50710-KAE-000	HOLDER ASSY., HELMET	001	0	0	0.00
11	55102-166-000	JOINT, OIL TUBE	001	0	0	2.17
12	55105-167-020	CAP COMP., OIL	001	0	0	10.27
13	55107-KE1-000	JOINT, OIL STRAINER	001	0	0	4.28
14	55108-KAE-000	TUBE, OIL	001	0	0	10.47
15	55112-KAE-000	PLATE, OIL CAP SET	001	0	0	2.34
16	55121-KAE-000	SCREEN, OIL STRAINER	001	0	0	0.00
17	90114-MLO-000	BOLT, BREAK OFF	001	0	0	2.15
18	90120-449-770	BOLT, FLANGE, 10X117	002	0	0	4.63
19	90690-GHB-601	CLIP, HARNESS BAND (15)	003	0	0	0.92
20	90690-GHB-641	CLIP, CABLE, 10MM	005	0	0	0.92
22	90690-GHB-661	CLIP, CABLE, 20MM	001	0	0	0.92
23	91306-HB3-003	O-RING, 8X1.7 (ARAI)	002	0	0	1.03
24	91405-KT0-680	CLAMP D17, TUBE	002	0	0	1.71
25	94050-08000	NUT, FLANGE, 8MM	003	0	0	0.46
26	94050-08070	NUT, FLANGE, 8MM	001	0	0	0.45
27	94050-10000	NUT, FLANGE, 10MM	003	0	0	0.62
28	95002-41000-04	CLAMP, TUBE (D10)	002	0	0	0.68
29	95002-41000-08	CLAMP, TUBE (D10)	001	0	0	0.68
30	95005-55085-20	TUBE, 5.3X85 (95005-55001-20M)	001	0	0	0.94

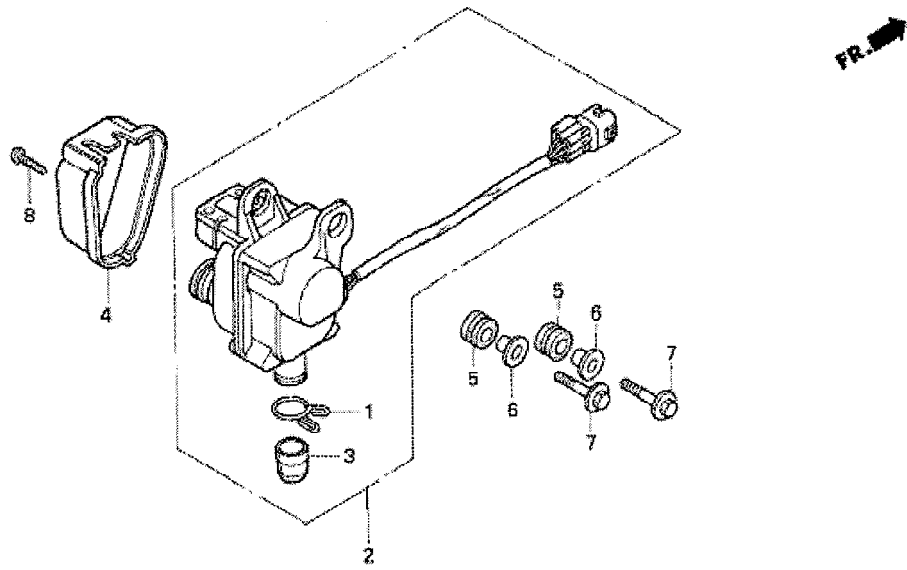
MD24-1201908 CRM250R CRM250RM 1991 J

E-7 OIL PUMP



Refnr	Part Number	Description	Unit Qty	Order Qty	Repair Qty	Price GBP
1	15100-KAE-870	PUMP ASSY., OIL	001	0	0	103.53
2	15151-KAE-000	GEAR, OIL PUMP DRIVE (13T/19T)	001	0	0	19.08
3	15161-KAE-000	GEAR, OIL PUMP DRIVEN (31T)	001	0	0	10.76
4	15531-KAE-870	COVER, OIL PUMP	001	0	0	10.49
5	15532-KAE-000	TUBE, OIL, 5.5X315	001	0	0	6.14
6	90443-844-000	WASHER, THRUST, 8MM	003	0	0	0.72
7	90652-KY4-900	CIRCLIP, 8MM	002	0	0	1.20
8	91303-800-000	O-RING, 16MM	001	0	0	1.65
9	93891-06028-00	SCREW-WASHER, 6X28	002	0	0	0.52
10	95001-30195-40	TUBE, FUEL, 3.0X195 (95001-30001-40M)	001	0	0	0.94
11	95002-02650	CLIP, TUBE (B6.5)	002	0	0	0.40
12	95002-41000-08	CLAMP, TUBE (D10)	002	0	0	0.68
13	96001-06016-00	BOLT, FLANGE, 6X16	002	0	0	0.52
14	96220-30158	ROLLER, 3X15.8	001	0	0	0.23

MD24-1201908 CRM250R CRM250RM 1991 J
F-27 SERVO MOTOR

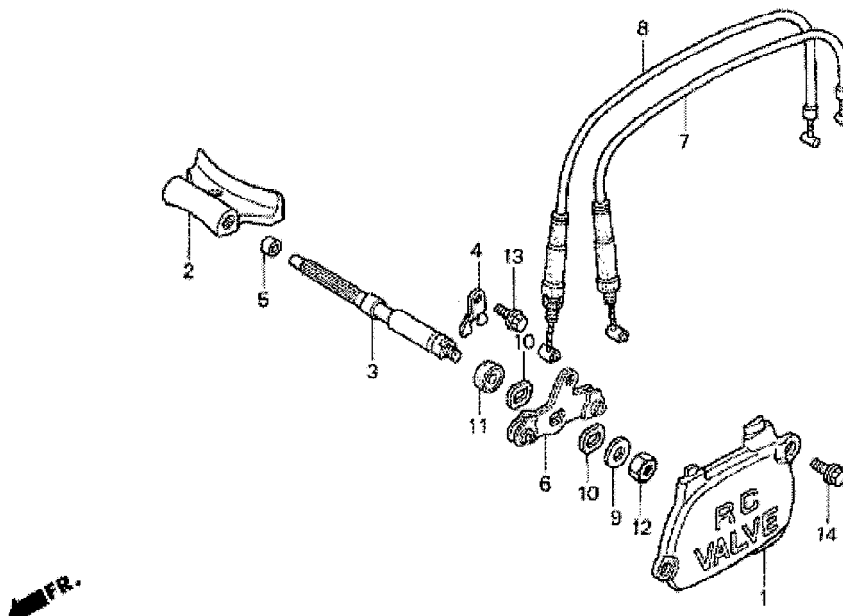


KAE1-P2700 B

Refnr	Part Number	Description	Unit Qty	Order Qty	Repair Qty	Price GBP
1	18532-634-670	CLIP, AIR HOSE, 21.5	001	0	0	2.60
2	31420-KAE-004	MOTOR ASSY., SERVO	001	0	0	191.93
3	31425-KAE-004	CAP	001	0	0	1.91
4	31430-KAE-000	COVER, SERVO MOTOR	001	0	0	4.28
5	43516-MR5-000	RUBBER, MOUNTING	002	0	0	2.71
6	90503-KAE-000	COLLAR, 6.3X14.5	002	0	0	1.31
7	93404-06025-07	BOLT-WASHER, 6X25	002	0	0	0.52
8	93901-34380	SCREW, TAPPING, 4X12	001	0	0	0.34

MD24-1201908 CRM250R CRM250RM 1991 J

E-2 FLAP VALVE

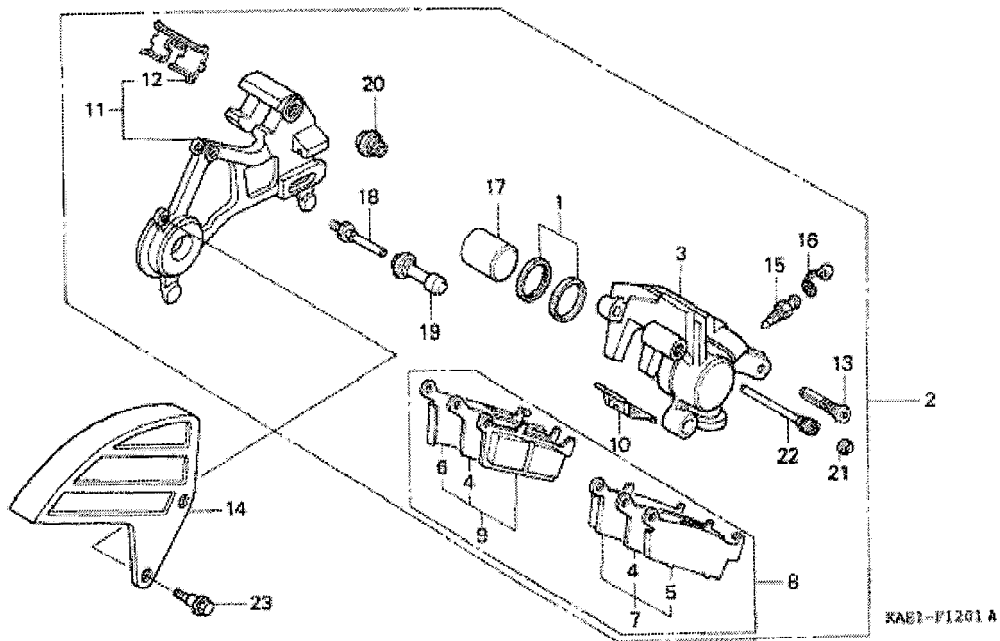


KAE1-EQ200 B

Refnr	Part Number	Description	Unit Qty	Order Qty	Repair Qty	Price GBP
1	12145-KAE-870	COVER, CYLINDER SIDE	001	0	0	12.38
2	14201-KAE-870	VALVE, FLAP	001	0	0	0.00
3	14211-KAE-010	SHAFT, FLAP VALVE	001	0	0	12.69
4	14215-KAE-000	PLATE, VALVE SHAFT SETTING	001	0	0	1.62
5	14231-KV3-000	COLLAR, 6.6	001	0	0	2.73
6	14321-KAE-000	GUIDE, VALVE CABLE	001	0	0	6.98
7	14330-KAE-870	CABLE COMP., RR. VALVE	001	0	0	7.60
8	14340-KAE-870	CABLE COMP., FR. VALVE	001	0	0	7.60
9	90437-GM0-000	WASHER, 6X12.5X2	001	0	0	0.29
10	90555-KV3-000	WASHER, VALVE SHAFT	002	0	0	0.61
11	91201-PA9-003	OIL SEAL, 9X18X7 (NOK)	001	0	0	4.79
11	91201-PA9-004	OIL SEAL, 9X18X7 (ARAI)	001	0	0	3.34
12	94001-06000-0S	NUT, HEX., 6MM	001	0	0	0.40
13	96001-06010-00	BOLT, FLANGE, 6X10	001	0	0	0.52
14	96001-06012-00	BOLT, FLANGE, 6X12	002	0	0	0.52

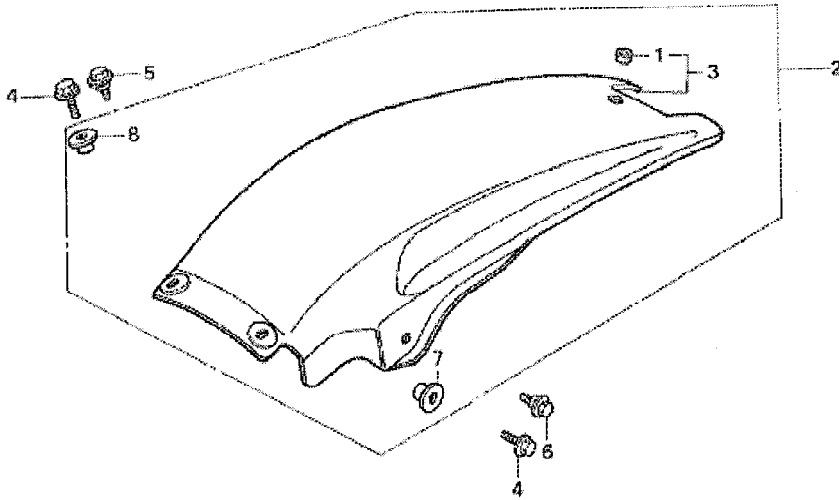
MD24-1201908 CRM250R CRM250RM 1991 J

F-12-1 REAR BRAKE CALIPER (2)



Refnr	Part Number	Description	Unit Qty	Order Qty	Repair Qty	Price GBP
1	06431-MA3-405	SEAL SET, PISTON	001	0	0	7.68
2	43100-KAE-871	CALIPER ASSY., RR. (NISSIN)	001	0	0	289.13
3	43101-ML3-911	BODY, RR. CALIPER	001	0	0	130.91
4	43102-KS6-701	INSULATOR	002	0	0	4.28
5	43103-KS6-702	RETAINER A, PAD	001	0	0	6.03
6	43104-KS6-702	RETAINER B, PAD	001	0	0	6.03
7	43105-KS6-702	PAD COMP. A	001	0	0	12.77
9	43106-KS6-702	PAD COMP. B	001	0	0	12.77
10	43108-KS6-701	SPRING, PAD	001	0	0	4.04
11	43110-KAE-871	BRACKET COMP., RR. (NISSIN)	001	0	0	0.00
12	43112-KS6-701	RETAINER	001	0	0	3.10
13	43131-KW3-006	BOLT, PIN	001	0	0	2.79
14	43331-KAE-000	COVER, RR. DISK UPPER	001	0	0	8.87
15	43352-568-003	SCREW, BLEEDER (NISSIN)	001	0	0	3.59
16	43353-461-771	CAP, BLEEDER	001	0	0	3.02
17	45107-ML4-006	PISTON	001	0	0	23.23
18	45131-166-016	BOLT, PIN	001	0	0	1.43
19	45132-166-016	BOOT, PIN BUSH (NISSIN)	001	0	0	1.78
20	45133-MA3-006	BOOT B	001	0	0	3.26
21	45203-MG3-016	PLUG, PIN	001	0	0	2.34
22	45215-KA3-732	PIN, HANGER	001	0	0	6.19
23	90508-KAE-000	BOLT, FLANGE, 5X9	002	0	0	1.29

MD24-1201908 CRM250R CRM250RM 1991 J
F-24 REAR FENDER

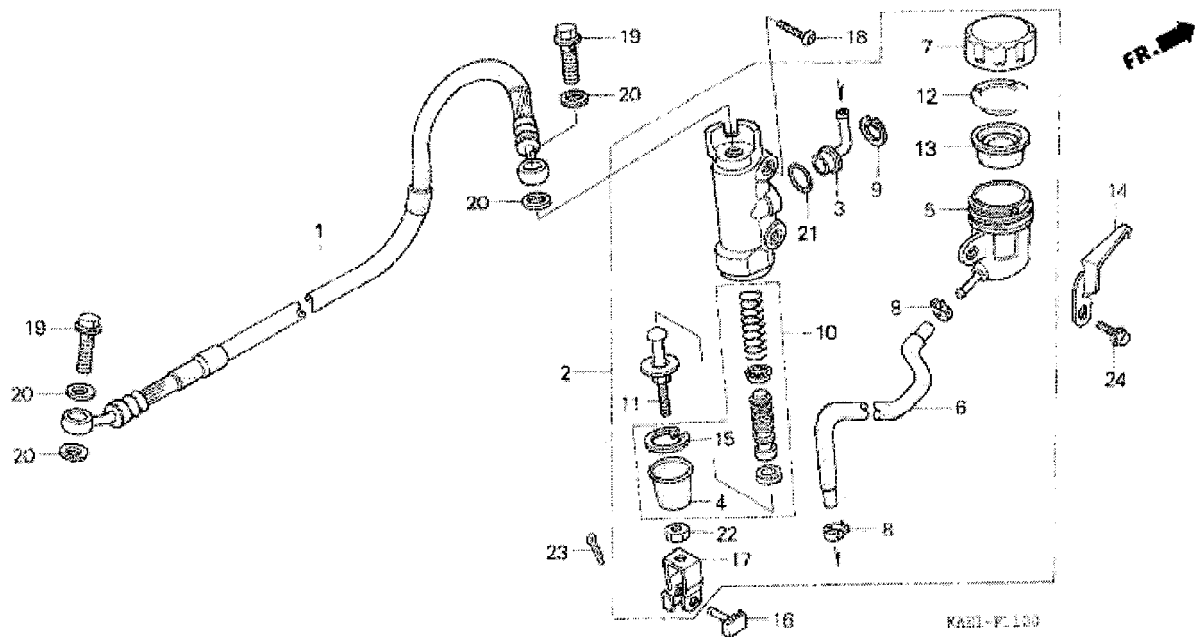


KAE1-P2400 A

Refnr	Part Number	Description	Unit Qty	Order Qty	Repair Qty	Price GBP
1	76329-743-000	COLLAR, CHUTER GUIDE	001	0	0	1.92
3	80100-KAE-870ZA	FENDER, RR. *NH196 * (NH196 ROSS WHITE)	001	0	0	28.95
5	90111-KAE-870	BOLT, RR. FENDER SETTING	002	0	0	1.41
6	90111-162-000	BOLT, FLANGE, 6MM	001	0	0	1.55

MD24-1201908 CRM250R CRM250RM 1991 J

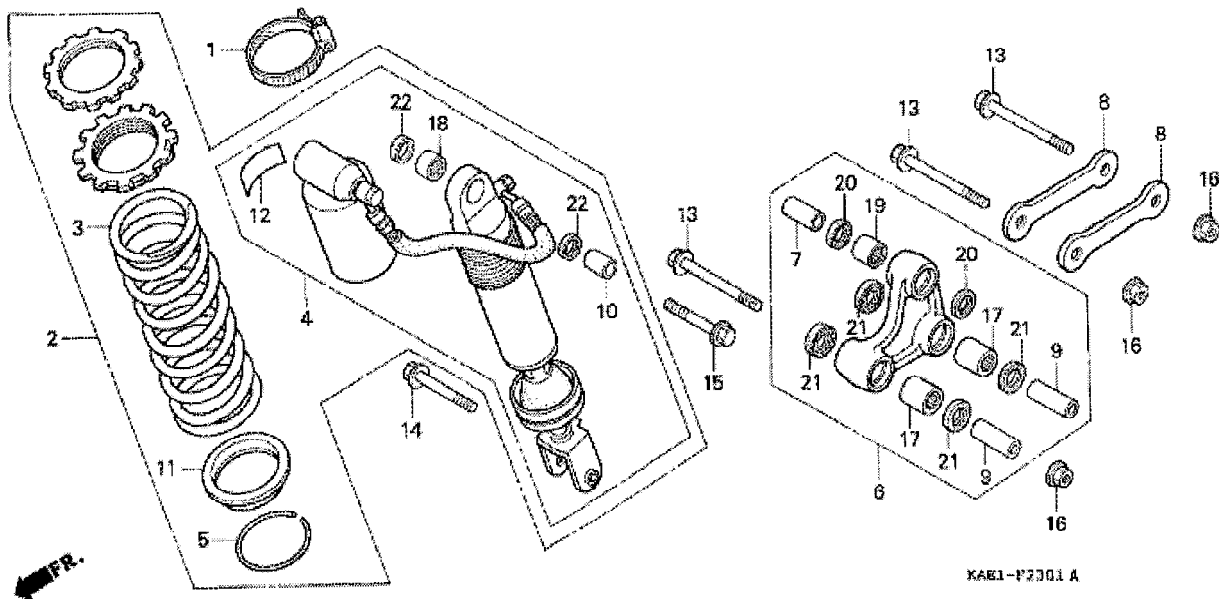
F-11 RR. BRAKE MASTER CYLINDER



Refnr	Part Number	Description	Unit Qty	Order Qty	Repair Qty	Price GBP
1	43125-KAE-871	HOSE, RR. BRAKE	001	0	0	0.00
2	43500-KAE-016	CYLINDER ASSY., RR. MASTER	001	0	0	205.67
3	43503-KS6-701	CONNECTOR, MASTER CYLINDER	001	0	0	6.15
4	43504-MB2-006	BOOT COMP.	001	0	0	4.59
5	43511-KS6-702	CUP COMP., MASTER CYLINDER OIL	001	0	0	11.75
6	43512-KS7-833	HOSE, OIL	001	0	0	11.88
7	43513-KS6-701	CAP, MASTER CYLINDER	001	0	0	5.62
8	43514-KS6-701	CLAMP, MASTER CYLINDER OIL HOSE	002	0	0	2.72
9	43517-KS6-701	CIRCLIP, RR. MASTER CYLINDER	001	0	0	1.32
10	43520-MJ6-305	PISTON SET, MASTER CYLINDER	001	0	0	44.89
11	43530-KAE-006	ROD COMP., PUSH	001	0	0	16.39
12	45518-GM9-711	PLATE, DIAPHRAGM	001	0	0	3.08
13	45520-GM9-711	DIAPHRAGM	001	0	0	4.22
15	46182-500-013	CIRCLIP	001	0	0	1.46
16	46503-KW3-000	PIN COMP., BRAKE ROD	001	0	0	2.34
17	46504-KV6-702	JOINT, BRAKE ROD	001	0	0	3.20
18	90103-MM9-830	BOLT, FLANGE, 6X16	002	0	0	0.76
19	90145-MS9-611	BOLT, OIL, 10X22	002	0	0	5.04
20	90545-300-000	WASHER, OIL BOLT	004	0	0	1.96
21	91212-422-006	O-RING, 14.8X2.4	001	0	0	2.70
22	94002-08000-0S	NUT, HEX., 8MM	001	0	0	0.40
23	94201-20120	PIN, SPLIT, 2.0X12	001	0	0	0.37
24	96001-06014-00	BOLT, FLANGE, 6X14	001	0	0	0.52

MD24-1201908 CRM250R CRM250RM 1991 J

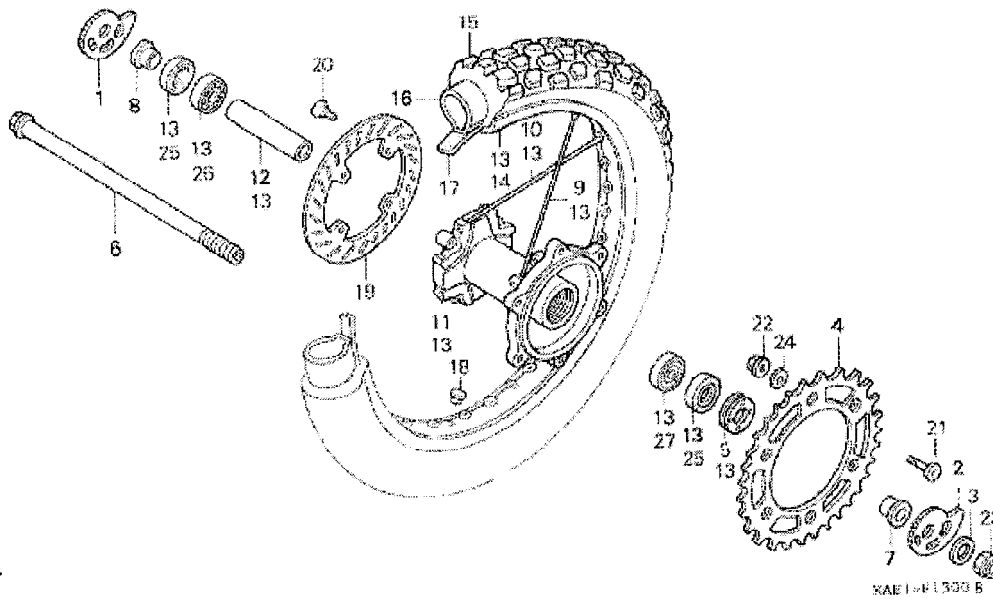
F-23-1 REAR CUSHION (2)



Refnr	Part Number	Description	Unit Qty	Order Qty	Repair Qty	Price GBP
1	50252-GC4-830	BAND, SUB TANK	001	0	0	7.30
2	52400-KAE-871	CUSHION ASSY., RR. (SHOWA)	001	0	0	554.87
3	52401-KAE-871	SPRING, RR. CUSHION (SHOWA)	001	0	0	101.98
4	52409-KAE-306	DAMPER SET, RR.	001	0	0	0.00
5	52455-MM5-003	RING, STOPPER	001	0	0	5.72
6	52460-KAE-870	ARM ASSY., CUSHION	001	0	0	94.57
7	52464-KAE-000	COLLAR, CUSHION LOWER	001	0	0	5.63
8	52471-KAE-870	PLATE, CUSHION CONNECTING	002	0	0	7.63
9	52473-KZ9-710	COLLAR, CUSHION CONNECTING ROD	002	0	0	4.85
10	52486-GS2-700	COLLAR, CUSHION UPPER	001	0	0	2.21
11	52486-KZ3-003	SEAT, SPRING	001	0	0	12.65
12	87516-KS7-701	LABEL, RR. DAMPER WARNING	001	0	0	2.28
13	90151-GC4-731	BOLT, FLANGE, 10X67	003	0	0	4.56
14	90153-MC4-003	BOLT, FLANGE, 10X43	001	0	0	2.34
15	90154-HA0-003	BOLT, FLANGE, 10X44	001	0	0	3.59
16	90304-GE8-003	NUT, U, 10MM	003	0	0	2.18
17	91052-KZ9-711	BEARING, NEEDLE, 17X24X25	002	0	0	9.36
18	91077-GS2-702	BEARING, NEEDLE, 16X22X12	001	0	0	19.29
19	91079-KN5-003	BEARING, CONNECTING ROD	001	0	0	11.06
20	91262-MB2-005	DUST SEAL, CONNECTING ROD PIVOT	002	0	0	2.24
21	91262-MG7-005	OIL SEAL, 17X27X5	004	0	0	2.36
22	91351-GS2-701	DUST SEAL, RR. CUSHION UPPER	002	0	0	1.71

MD24-1201908 CRM250R CRM250RM 1991 J

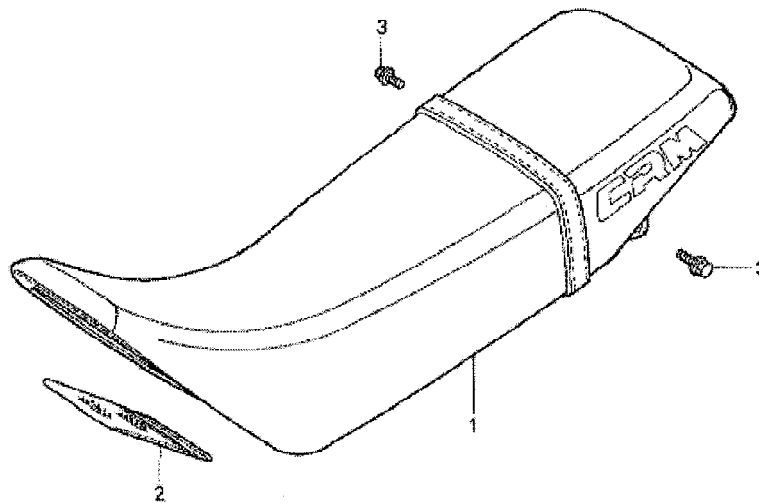
F-13 REAR WHEEL



FR.

Refnr	Part Number	Description	Unit Qty	Order Qty	Repair Qty	Price GBP
1	40544-KZ9-000	ADJUSTER, R. CHAIN	001	0	0	8.94
2	40545-MN1-670	ADJUSTER, L. CHAIN	001	0	0	6.99
3	40546-KG7-000	WASHER, RR. AXLE	001	0	0	2.02
4	41201-KAE-870	SPROCKET, FINAL DRIVEN (42T)	001	0	0	29.23
5	41231-429-000	RETAINER, BEARING	001	0	0	15.66
6	42301-KAE-000	AXLE, RR. WHEEL	001	0	0	34.16
7	42312-KAE-000	COLLAR, RR. WHEEL	001	0	0	7.04
8	42312-KW3-000	COLLAR B, RR. WHEEL	001	0	0	10.42
9	426A0-KAE-003	SPOKE SET B, RR. (A10X220)	016	0	0	2.06
10	426A0-KZ9-003	SPOKE SET, RR. (A10X223)	016	0	0	2.06
11	42601-KAE-870	HUB, RR. WHEEL	001	0	0	229.09
12	42620-KAE-000	COLLAR, RR. AXLE DISTANCE	001	0	0	9.03
14	42701-KAE-003	RIM, RR. WHEEL (2.15X18)	001	0	0	221.27
15	42711-KAE-871	TIRE, RR. (INOUE) (4.60-18 63P GP22R)	001	0	0	0.00
16	42712-KAE-005	TUBE, TIRE (4.60-18 INOUE)	001	0	0	39.61
17	42713-446-631	FLAP, TIRE (IRC)	001	0	0	4.87
18	42717-329-000	CAP, RIM HOLE	001	0	0	3.92
19	43351-KZ1-770	DISK, RR. BRAKE	001	0	0	57.36
20	90105-MK5-010	BOLT, DISK, 8X22	004	0	0	2.22
21	90125-MN1-671	BOLT, SPROCKET FIXING	006	0	0	2.34
22	90304-KAE-871	NUT, U, 10MM	006	0	0	1.61
23	90305-KE8-003	NUT, AXLE, 16MM	001	0	0	3.81
24	90438-463-000	WASHER, SPECIAL, 11X21X2.3	006	0	0	1.78
25	91252-428-000	OIL SEAL, 25X40X7	002	0	0	5.13
26	96140-62030-10	BEARING, RADIAL BALL, 6203U	001	0	0	6.47
27	96140-63030-10	BEARING, RADIAL BALL, 6303U	001	0	0	8.22

MD24-1201908 CRM250R CRM250RM 1991 J
F-15 SEAT



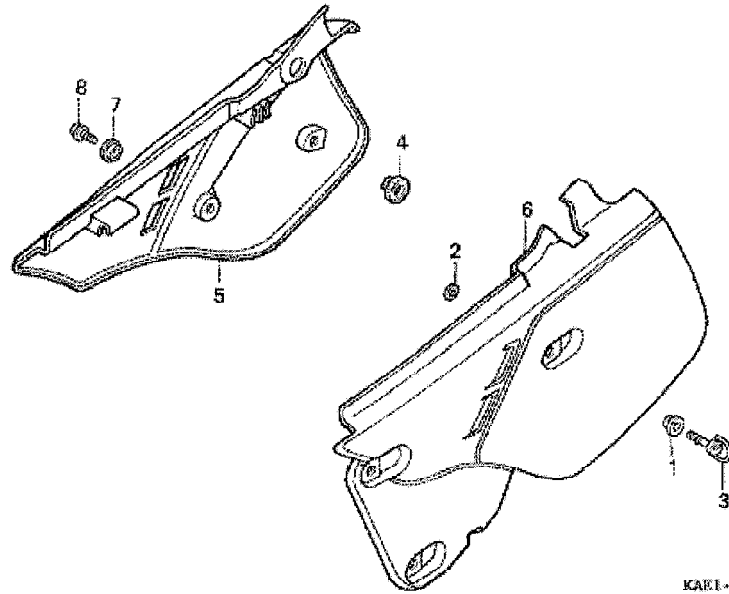
FR.

KAE1-F1500 A

Refnr	Part Number	Description	Unit Qty	Order Qty	Repair Qty	Price GBP
1	77200-KAE-870ZA	SEAT COMP., DOUBLE *R119L * (R119L NITRO RED)	001	0	0	212.97
1	77200-KAE-870ZC	SEAT COMP., DOUBLE *PB45L * (PB45L DIONYSUS BLUE)	001	0	0	212.97
2	83642-GM2-000	BAG, OWNERS MANUAL	001	0	0	7.71
3	96300-08022-00	BOLT, FLANGE, 8X22	002	0	0	0.73

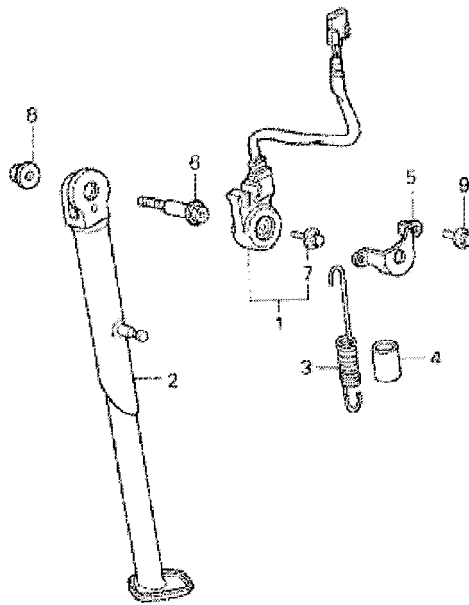
MD24-1201908 CRM250R CRM250RM 1991 J

F-16 SIDE COVER



Refnr	Part Number	Description	Unit Qty	Order Qty	Repair Qty	Price GBP
1	17223-KN5-670	COLLAR, AIR CLEANER COVER SETTING	003	0	0	1.62
2	17224-MN1-670	WASHER, AIR CLEANER COVER SETTING	003	0	0	1.24
3	17225-KN5-670	STUD, 6X21	003	0	0	3.68
4	83512-KA4-700	RUBBER, SIDE COVER	001	0	0	2.73
5	83603-KAE-870ZA	COVER SET, R. SIDE (WL) *NH196/TYPE1 * (NH196/TYPE1 ROSS WHITE/TYPE1)	001	0	0	50.17
5	83603-KAE-870ZE	COVER SET, R. SIDE (WL) *TYPE2 * (TYPE2)	001	0	0	55.85
6	83604-KAE-870ZA	COVER SET, AIR CLEANER CASE (WL) *NH196/TYPE1 * (NH196/TYPE1 ROSS WHITE/TYPE1)	001	0	0	31.77
6	83604-KAE-870ZD	COVER SET, AIR CLEANER CASE (WL) *TYPE2 * (TYPE2)	001	0	0	66.65
7	90522-028-000	WASHER, CHAIN CASE SETTING	001	0	0	0.40
8	96001-06014-00	BOLT, FLANGE, 6X14	001	0	0	0.52

MD24-1201908 CRM250R CRM250RM 1991 J
F-21 SIDE STAND



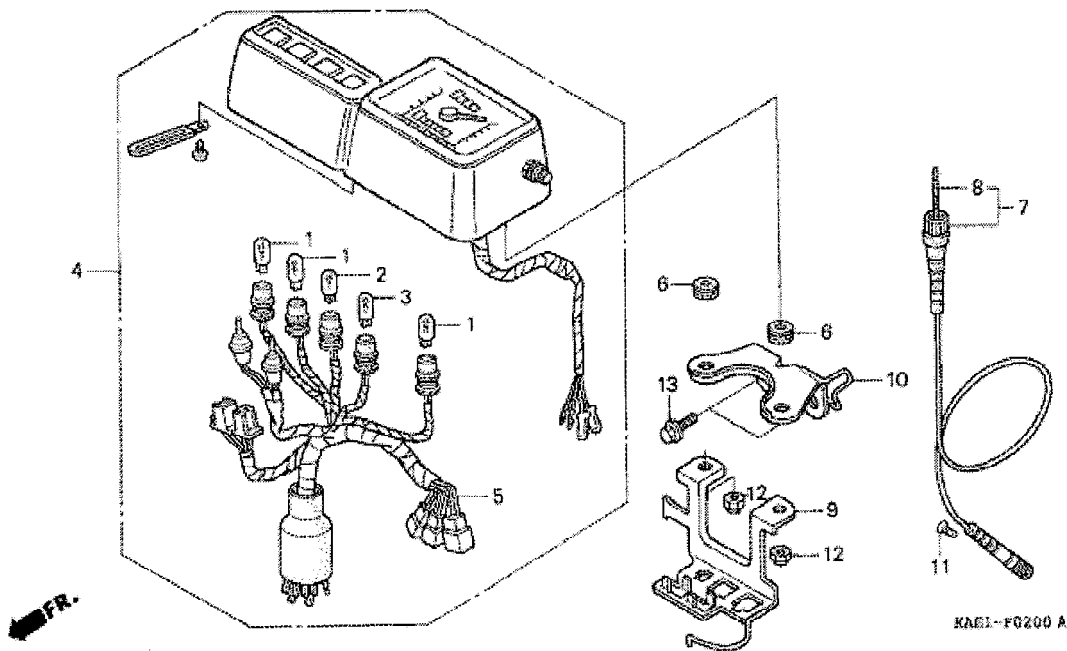
FR.

KAS1 P2120 A

Refnr	Part Number	Description	Unit Qty	Order Qty	Repair Qty	Price GBP
1	35700-KAE-305	SWITCH SET, SIDE STAND	001	0	0	44.99
2	50530-KAE-870	BAR, SIDE STAND	001	0	0	49.11
3	50541-MN4-000	SPRING, SIDE STAND	001	0	0	3.87
5	50547-KAE-000	GUARD, SIDE STAND SWITCH	001	0	0	7.67
6	90108-MK6-670	BOLT, SIDE STAND PIVOT	001	0	0	3.61
7	90147-MK6-671	BOLT, SPECIAL, 6X16	001	0	0	1.89
8	90203-MF9-710	NUT, SIDE STAND	001	0	0	2.18
9	96001-06010-07	BOLT, FLANGE, 6X10	002	0	0	0.45

MD24-1201908 CRM250R CRM250RM 1991 J

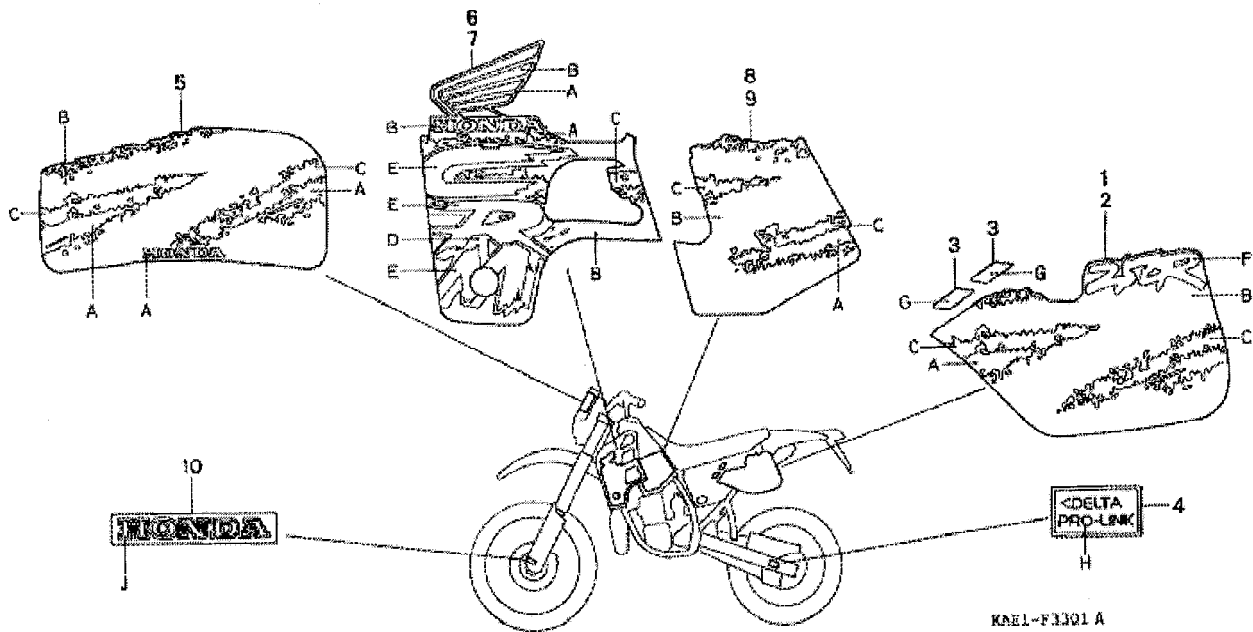
F-2 METER (1)



Refnr	Part Number	Description	Unit Qty	Order Qty	Repair Qty	Price GBP
1	34908-GA7-701	BULB, WEDGE BASE (T10) (12V 3.4W) (NIPPON SEIKI)	003	0	0	1.10
2	34908-MB9-871	BULB, WEDGE BASE (T10) (12V 1.7W) (STANLEY)	001	0	0	1.34
3	34908-GA7-701	BULB, WEDGE BASE (T10) (12V 3.4W) (NIPPON SEIKI)	001	0	0	1.10
4	37200-KAE-871	SPEEDOMETER ASSY. (KPH)	001	0	0	222.03
5	37223-KAE-871	SOCKET COMP.	001	0	0	68.00
6	37243-MG2-000	RUBBER, SPEEDOMETER MOUNTING	002	0	0	2.05
7	44830-KAE-870	CABLE ASSY., SPEEDOMETER	001	0	0	6.72
8	44831-KAE-870	CABLE, INNER	001	0	0	3.12
9	61315-KAE-000	STAY COMP., COUPLER	001	0	0	9.83
10	61319-KAE-870ZA	STAY, SPEEDOMETER *NH1 * (NH1 BLACK)	001	0	0	10.33
11	93700-05020-0G	SCREW, OVAL, 5X20	001	0	0	0.34
12	94030-06000	NUT, HEX., 6MM	002	0	0	0.40
13	95701-08016-00	BOLT, FLANGE, 8X16	002	0	0	0.52

MD24-1201908 CRM250R CRM250RM 1991 J

F-33-1 MARK (2)

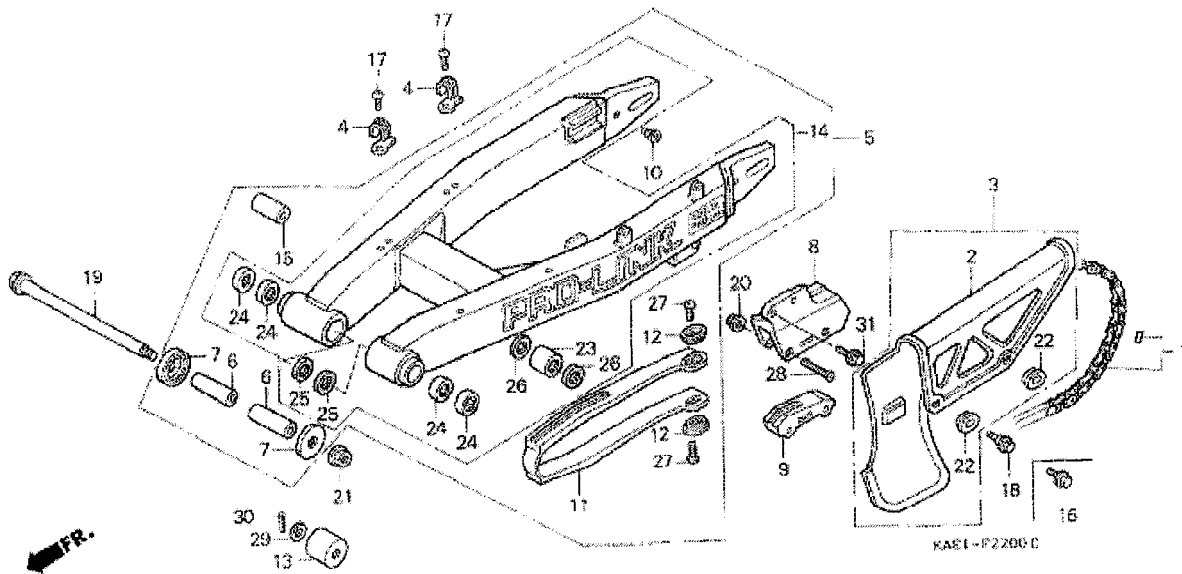


KNE1-F1191 A

Refnr	Part Number	Description	Unit Qty	Order Qty	Repair Qty	Price GBP
1	83505-KAE-870ZA	SHEET, R. SIDE COVER (###) *TYPE1* (TYPE1)	001	0	0	30.48
1	83505-KAE-870ZB	SHEET, R. SIDE COVER (###) *TYPE2* (TYPE2)	001	0	0	30.48
2	83506-KAE-870ZA	SHEET, AIR CLEANER CASE COVER *TYPE1* (TYPE1)	001	0	0	21.56
2	83506-KAE-870ZB	SHEET, AIR CLEANER CASE COVER (###) *TYPE2* (TYPE2)	001	0	0	21.56
3	83507-KAE-300	SHEET B, SIDE COVER	002	0	0	1.50
4	87122-KAE-300	MARK, DELTA PRO-LINK (###)	002	0	0	2.68
5	87125-KAE-870ZA	MARK, HEADLIGHT CASE *TYPE1* (TYPE1)	001	0	0	18.28
5	87125-KAE-870ZB	MARK, HEADLIGHT CASE *TYPE2* (TYPE2)	001	0	0	18.28
6	87126-KAE-870ZA	MARK, R. RADIATOR SHROUD (###) *TYPE1* (TYPE1)	001	0	0	26.12
6	87126-KAE-870ZB	MARK, R. RADIATOR SHROUD *TYPE2* (TYPE2)	001	0	0	26.12
7	87127-KAE-870ZA	MARK, L. RADIATOR SHROUD *TYPE1* (TYPE1)	001	0	0	26.12
7	87127-KAE-870ZB	MARK, L. RADIATOR SHROUD *TYPE2* (TYPE2)	001	0	0	26.12
8	87128-KAE-870ZA	MARK, R. FUEL TANK *TYPE1* (TYPE1)	001	0	0	20.88
8	87128-KAE-870ZB	MARK, R. FUEL TANK *TYPE2* (TYPE2)	001	0	0	20.88
9	87129-KAE-870ZA	MARK, L. FUEL TANK *TYPE1* (TYPE1)	001	0	0	20.88
9	87129-KAE-870ZB	MARK, L. FUEL TANK *TYPE2* (TYPE2)	001	0	0	20.88
10	87130-GW6-000	MARK, FR. FORK	002	0	0	3.72

MD24-1201908 CRM250R CRM250RM 1991 J

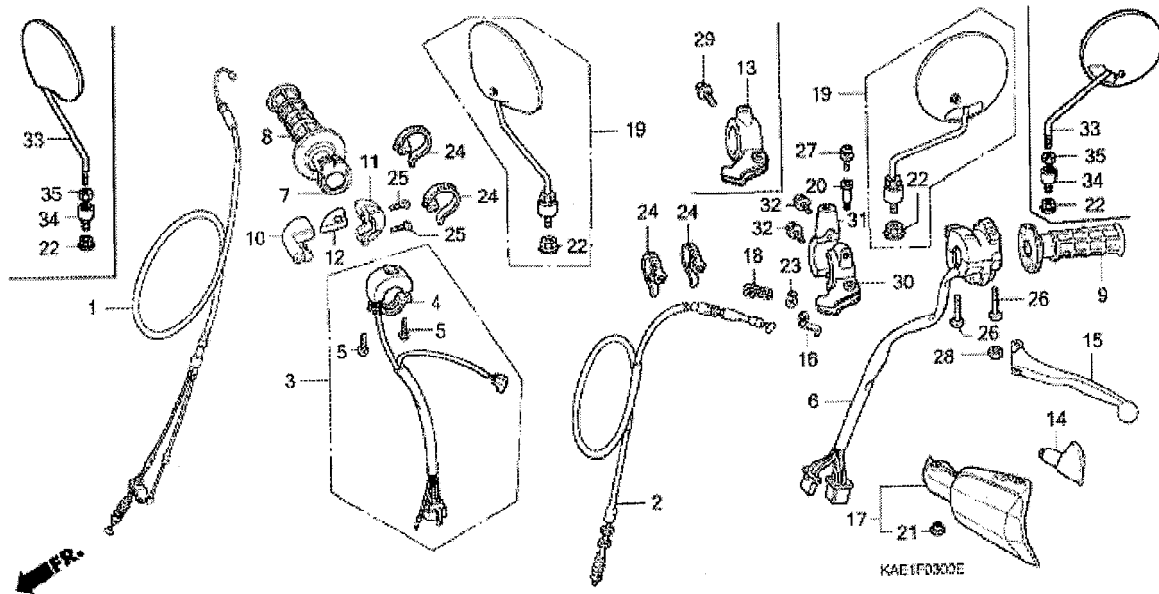
F-22 SWINGARM/CHAIN CASE



Refnr	Part Number	Description	Unit Qty	Order Qty	Repair Qty	Price GBP
1	40530-KAE-405	CHAIN SET, DRIVE (TAKASAGO) (RK520M0Z9-110LE)	001	0	0	73.62
1	40530-KAE-406	CHAIN SET, DRIVE (DAIDO) (DID520VC6-110LE)	001	0	0	73.62
2	40510-KAE-870	CASE, DRIVE CHAIN	001	0	0	29.00
4	43468-KAE-000	GUIDE, RR. BRAKE HOSE	002	0	0	3.02
5	52100-KAE-871	SWINGARM ASSY.	001	0	0	595.52
6	52141-KAE-000	COLLAR, SWINGARM PIVOT	002	0	0	12.29
7	52144-KR8-003	CAP, DUST SEAL (ARAI)	002	0	0	6.45
7	52144-KR8-005	CAP, DUST SEAL (NIPPON)	002	0	0	6.40
8	52146-MN1-671	GUIDE, CHAIN	001	0	0	13.49
9	52147-MN1-670	SLIDER, CHAIN GUIDE	001	0	0	11.30
10	52156-KV6-000	PIN, CHAIN ADJUSTER	002	0	0	5.69
11	52170-KAE-020	SLIDER, CHAIN	001	0	0	47.70
12	52171-KR6-000	WASHER, CHAIN SLIDER	002	0	0	0.48
13	52175-KAE-000	SLIDER, CHAIN LOWER	001	0	0	14.42
15	52473-KZ9-710	COLLAR, CUSHION CONNECTING ROD	001	0	0	4.85
17	90104-ML7-920	SCREW, PAN, 5X10	002	0	0	1.46
18	90111-187-000	BOLT, FLANGE, 6MM	002	0	0	2.04
19	90161-759-000	BOLT, FLANGE, 14X242	001	0	0	13.82
20	90301-473-003	NUT, U, 6MM	002	0	0	2.05
21	90305-GE8-003	NUT, U, 14MM	001	0	0	2.93
23	91052-KZ9-711	BEARING, NEEDLE, 17X24X25	001	0	0	9.36
24	91106-KF0-008	BEARING, NEEDLE, 20X26X12	004	0	0	10.62
25	91254-KS6-003	DUST SEAL, 20X26X4.5 (ARAI)	002	0	0	3.94
26	91262-MG7-005	OIL SEAL, 17X27X5	002	0	0	2.36
27	93500-05008-0G	SCREW, PAN, 5X8	002	0	0	0.34
28	93600-06045-0A	SCREW, FLAT, 6X45	002	0	0	0.52
29	94102-08700	WASHER, PLAIN, 8MM	001	0	0	0.34
30	94201-20150	PIN, SPLIT, 2.0X15	001	0	0	0.37
31	96400-06016-00	BOLT, FLANGE, 6X16	002	0	0	0.52

MD24-1201908 CRM250R CRM250RM 1991 J

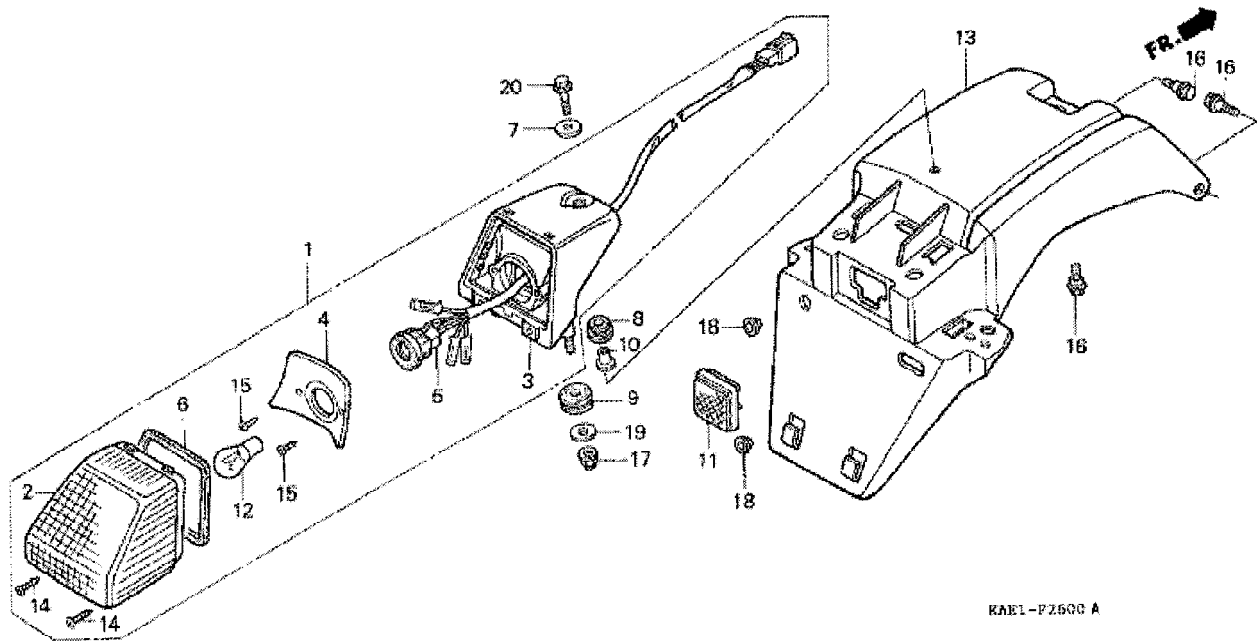
F-3 HANDLE LEVER/SWITCH/ CABLE



Refnr	Part Number	Description	Unit Qty	Order Qty	Repair Qty	Price GBP
1	17910-KAE-870	CABLE COMP., THROTTLE	001	0	0	12.93
2	22870-KAE-000	CABLE COMP., CLUTCH	001	0	0	13.00
3	35130-KAE-871	SWITCH ASSY., KILL	001	0	0	33.65
4	35132-KR5-013	PLATE, SETTING	001	0	0	1.65
5	35133-KJ2-003	SCREW, PAN, 4X12	002	0	0	0.81
6	35200-KAE-871	SWITCH ASSY., WINKER	001	0	0	88.53
7	53141-KT0-670	PIPE, THROTTLE GRIP	001	0	0	6.30
8	53165-MK5-010	GRIP, R. HANDLE	001	0	0	6.48
9	53166-MK5-010	GRIP, L. HANDLE	001	0	0	6.48
10	53167-KA2-000	HOUSING, UPPER THROTTLE	001	0	0	17.75
11	53168-GW6-000	HOUSING, THROTTLE LOWER	001	0	0	15.66
12	53169-HB7-010	SLIDER, THROTTLE	001	0	0	5.76
13	53172-KAE-870	BRACKET, L. HANDLE LEVER	001	0	0	24.66
14	53177-KN5-670	COVER, L. HANDLE LEVER	001	0	0	9.15
15	53178-KAE-870	LEVER, L. STEERING HANDLE	001	0	0	10.74
16	53181-KN5-670	PLATE, GUARD SETTING	001	0	0	3.94
17	53185-KN5-670ZF	GUARD, L. KNUCKLE *NH196 * (NH196 ROSS WHITE)	001	0	0	25.33
18	53192-268-000	BOLT, WIRE ADJUSTING	001	0	0	3.71
20	90113-KR5-000	BOLT, LEVER PIVOT	001	0	0	2.65
21	90127-KF0-770	COLLAR, 6X4	001	0	0	1.97
22	94050-10070	NUT, FLANGE, 10MM	002	0	0	0.68
23	90321-315-670	NUT, FIXING	001	0	0	6.77
24	90650-KV6-003	BAND, WIRE, 95MM	004	0	0	2.88
25	93500-05016-0G	SCREW, PAN, 5X16	002	0	0	0.34
26	93500-05020-0G	SCREW, PAN, 5X20	002	0	0	0.34
27	93894-04010-10	SCREW-WASHER, 4X10	001	0	0	0.40
28	94001-06000-05	NUT, HEX., 6MM	001	0	0	0.40
29	96001-06025-00	BOLT, FLANGE, 6X25	001	0	0	0.68
33	88210-KAE-871	MIRROR COMP.	002	0	0	16.29
34	88255-KAE-871	RUBBER COMP., MOUNT	002	0	0	9.03
35	90301-KBA-900	NUT, LOCK (LEFT HAND THREAD)	002	0	0	1.13

MD24-1201908 CRM250R CRM250RM 1991 J

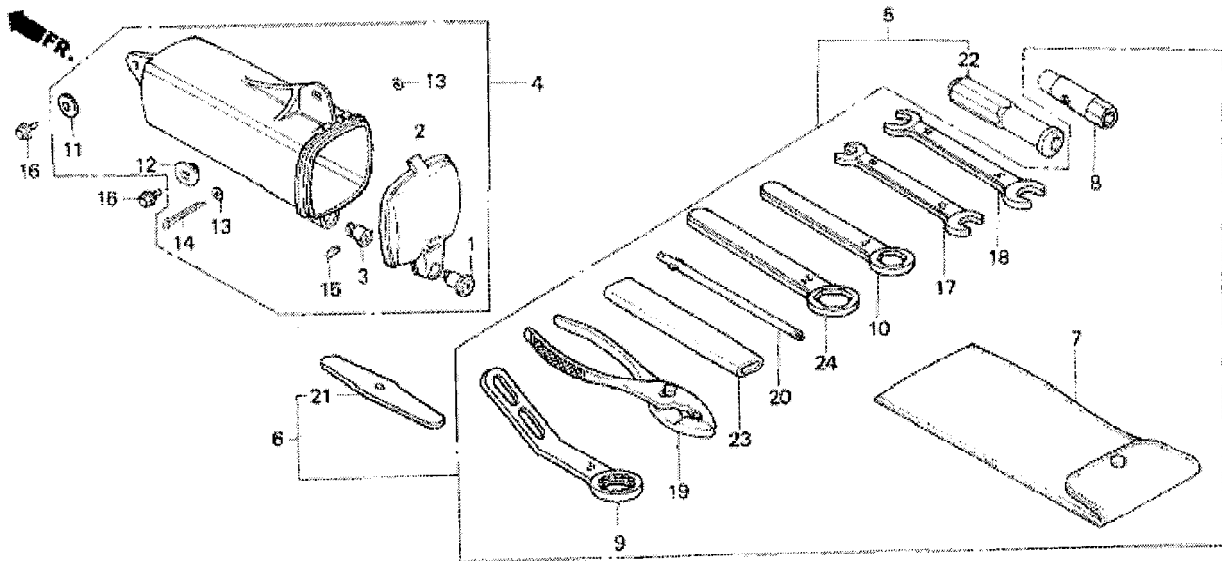
F-26 TAILLIGHT



Refnr	Part Number	Description	Unit Qty	Order Qty	Repair Qty	Price GBP
1	33701-KAE-871	TAILLIGHT ASSY. (12V 18/5W)	001	0	0	41.44
2	33702-GW6-003	LENS COMP., TAILLIGHT	001	0	0	12.05
3	33703-KAE-003	BASE COMP., TAILLIGHT	001	0	0	0.00
4	33706-GW6-003	REFLECTOR, TAILLIGHT	001	0	0	0.00
5	33707-KAE-871	SOCKET COMP., TAILLIGHT	001	0	0	15.24
6	33709-GW6-003	SEAL, PACKING	001	0	0	2.60
7	33711-KAE-000	WASHER, TAILLIGHT	001	0	0	1.32
8	33712-GW6-000	RUBBER, TAILLIGHT	001	0	0	1.83
9	33713-GW6-000	RUBBER, TAILLIGHT	002	0	0	1.34
10	33713-KAE-000	COLLAR, TAILLIGHT	001	0	0	2.43
11	33741-GN2-003	REFLECTOR, RR. REFLEX	001	0	0	4.16
12	34906-GB6-921	BULB, TAILLIGHT (12V 18/5W) (STANLEY)	001	0	0	1.48
13	84701-KAE-000	BASE COMP., NUMBER PLATE	001	0	0	32.75
14	90101-GW6-000	SCREW, TAPPING, 4X14	002	0	0	0.98
15	90102-GW6-000	SCREW, TAPPING, 4X14	002	0	0	0.74
16	90157-KAE-000	BOLT, FLANGE, 6MM	003	0	0	1.90
17	90201-KF9-900	NUT, CAP, 6MM	002	0	0	2.36
18	90522-170-700	COLLAR, GEARSHIFT LEVER SETTING	002	0	0	1.83
19	94103-06700	WASHER, PLAIN, 6MM	002	0	0	0.34
20	96001-06022-07	BOLT, FLANGE, 6X22	001	0	0	0.73

MD24-1201908 CRM250R CRM250RM 1991 J

F-30 TOOL/TOOL BOX

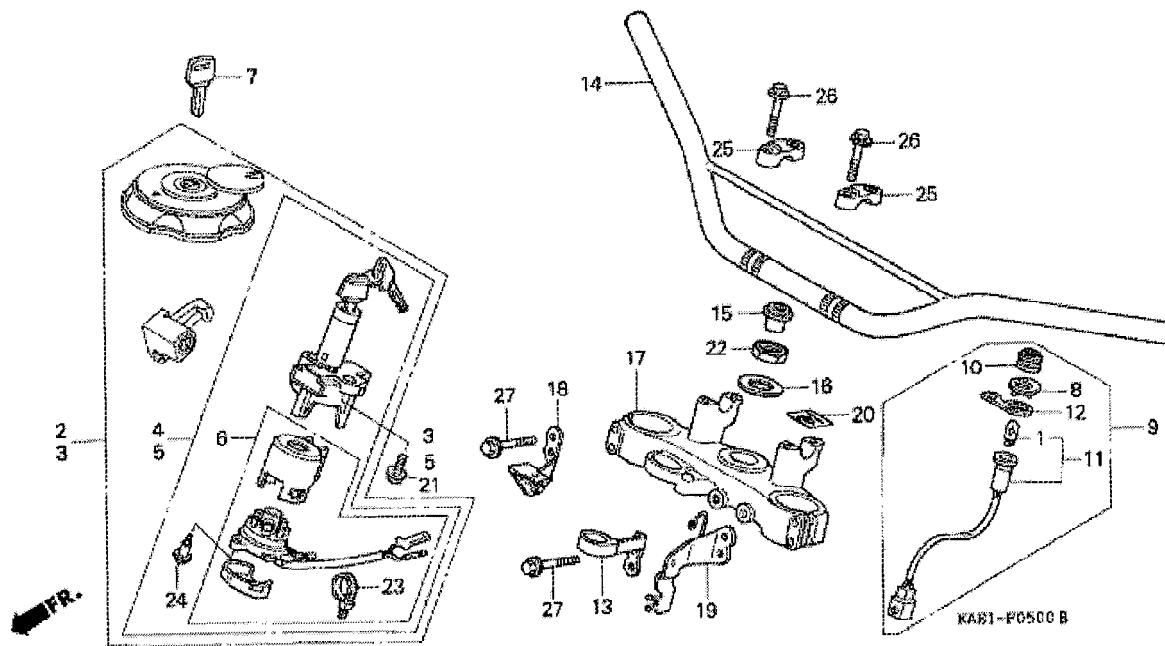


KAE-21030 A

Refnr	Part Number	Description	Unit Qty	Order Qty	Repair Qty	Price GBP
1	83503-MN9-003	BODY, KEY	001	0	0	7.00
2	83504-KAE-000	CAP, TOOL BOX	001	0	0	8.07
3	83508-438-000	STOPPER, KEY BODY	001	0	0	2.27
4	83510-KAE-000	BOX ASSY., TOOL	001	0	0	30.19
6	89010-KAE-870	TOOL SET (###)	001	0	0	49.05
7	89101-198-000	BAG, TOOL, 170	001	0	0	6.13
8	89215-KAE-000	WRENCH, BOX (10X12)	001	0	0	4.92
9	89216-KAE-000	WRENCH A, PLUG	001	0	0	8.64
10	89218-MF5-000	WRENCH, EYE, 17MM	001	0	0	5.69
11	90512-300-000	WASHER, 6X20	001	0	0	0.85
12	90513-323-000	WASHER, 6X9	001	0	0	0.62
13	94101-03000	WASHER, PLAIN, 3MM	002	0	0	0.34
14	94201-30450	PIN, SPLIT, 3.0X45	001	0	0	0.37
15	94305-20141	PIN, SPRING, 2X14	001	0	0	0.66
16	90001-GHB-630	BOLT, FLANGE, 6X16	002	0	0	0.92
17	99001-08120	SPANNER, 8X12	001	0	0	2.76
18	99001-10140	SPANNER, 10X14	001	0	0	3.18
19	99002-13500	PLIERS, 135	001	0	0	5.81
20	99003-10000	DRIVER 1, PLUS SCREW (NO.2)	001	0	0	1.34
21	99003-40000	LEVER	001	0	0	0.76
23	99006-12000	HANDLE, EYE WRENCH, 12MM	001	0	0	3.84
24	99006-24000	WRENCH, EYE, 24MM	001	0	0	4.78

MD24-1201908 CRM250R CRM250RM 1991 J

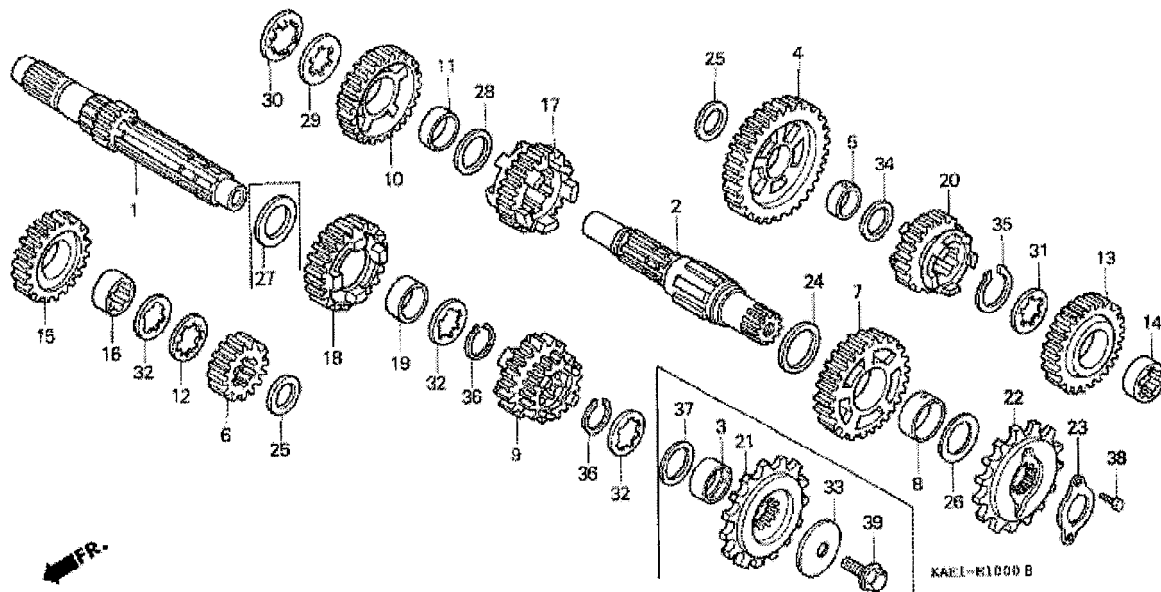
F-5 HANDLE PIPE/TOP BRIDGE



Refnr	Part Number	Description	Unit Qty	Order Qty	Repair Qty	Price GBP
2	35010-KAE-870	KEY SET	001	0	0	163.28
4	35100-KAE-871	SWITCH ASSY., COMBINATION & LOCK	001	0	0	110.01
6	35101-KAE-871	BASE COMP., CONTACT	001	0	0	29.18
7	35121-MN9-611	KEY, BLANK	(1)	0	0	7.79
13	45470-KAE-010	GUIDE COMP., BRAKE HOSE TOP	001	0	0	9.10
14	53100-KAE-870ZA	PIPE, STEERING HANDLE *NH138 * (NH138 SHASTA WHITE)	001	0	0	41.09
15	53208-MC4-000	CAP, STEERING STEM	001	0	0	2.34
16	53215-GF8-000	WASHER, DUST SEAL	001	0	0	0.44
17	53230-KAE-870	BRIDGE, FORK TOP	001	0	0	112.94
18	61314-KAE-870	STAY, R. HEADLIGHT CASE	001	0	0	11.88
19	61317-KAE-870	STAY, L. HEADLIGHT CASE	001	0	0	7.46
21	90100-KAE-000	BOLT, SOCKET, 8X25	002	0	0	1.03
22	90304-425-000	NUT, STEERING STEM	001	0	0	5.42
24	91059-KY2-711	SCREW, TAPPING, 3X16	003	0	0	1.43
25	95014-22100	HOLDER B1, HANDLE PIPE UPPER	002	0	0	6.87
26	96300-08035-00	BOLT, FLANGE, 8X35	004	0	0	0.73
27	96400-08045-00	BOLT, FLANGE, 8X45	004	0	0	0.76

MD24-1201908 CRM250R CRM250RM 1991 J

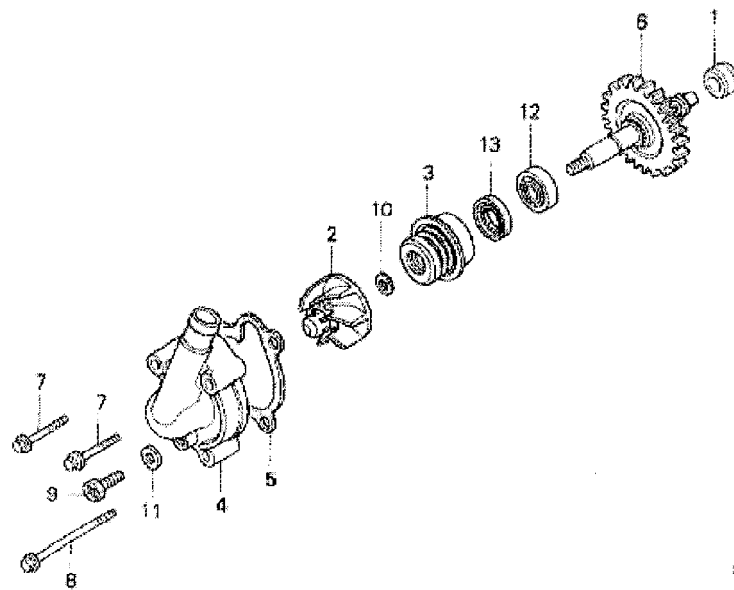
E-10 TRANSMISSION



Refnr	Part Number	Description	Unit Qty	Order Qty	Repair Qty	Price GBP
1	23211-KAE-870	MAINSHAFT (12T)	001	0	0	196.28
2	23221-KAE-870	COUNTERSHAFT	001	0	0	102.61
4	23411-KAE-870	GEAR, COUNTERSHAFT LOW (35T)	001	0	0	0.00
5	23412-KAE-870	COLLAR, COUNTERSHAFT LOW GEAR	001	0	0	0.00
6	23421-KAE-870	GEAR, MAINSHAFT SECOND (16T)	001	0	0	0.00
7	23431-KAE-870	GEAR, COUNTERSHAFT SECOND (30T)	001	0	0	0.00
8	23432-KAE-000	COLLAR, COUNTERSHAFT SECOND GEAR	001	0	0	6.30
9	23441-KAE-870	GEAR, MAINSHAFT THIRD & FOURTH (20T/22T)	001	0	0	0.00
10	23451-KAE-000	GEAR, COUNTERSHAFT THIRD (28T)	001	0	0	0.00
11	23452-KAE-000	COLLAR, COUNTERSHAFT THIRD GEAR	001	0	0	5.90
12	23456-KA3-000	WASHER, LOCK	001	0	0	1.69
13	23471-KAE-000	GEAR, COUNTERSHAFT FOURTH (24T)	001	0	0	38.70
14	23472-KAE-000	COLLAR, SPLINE, 25X8.7	001	0	0	6.30
15	23481-KAE-870	GEAR, MAINSHAFT FIFTH (22T)	001	0	0	86.17
16	23482-KAE-000	COLLAR, SPLINE, 22X9	001	0	0	6.30
17	23491-KAE-870	GEAR, COUNTERSHAFT FIFTH (20T)	001	0	0	0.00
18	23501-KAE-870	GEAR, MAINSHAFT SIXTH (26T)	001	0	0	0.00
19	23502-KAE-870	COLLAR, MAINSHAFT SIXTH GEAR	001	0	0	6.15
20	23511-KAE-870	GEAR, COUNTERSHAFT SIXTH (21T)	001	0	0	60.73
22	23801-KAE-870	SPROCKET, DRIVE (14T)	001	0	0	23.22
23	23802-KAE-870	PLATE, FIXING	001	0	0	1.31
24	90446-ML3-870	WASHER, THRUST, 27.2X35	001	0	0	2.45
25	90451-KAE-010	WASHER, SPECIAL, 17MM	002	0	0	1.76
26	90452-KAE-000	WASHER, SPECIAL, 24MM	001	0	0	2.57
28	90456-MA6-000	WASHER, THRUST, 25MM	001	0	0	0.66
29	90461-286-000	WASHER B, THRUST, 25MM	001	0	0	1.27
30	90462-323-000	WASHER, LOCK, 25MM	001	0	0	0.98
31	90463-430-000	WASHER, SPLINE, 25MM	001	0	0	3.45
32	90464-KE8-000	WASHER, SPLINE, 22MM	003	0	0	0.90
34	90554-728-940	WASHER, THRUST, 20MM	001	0	0	4.64
35	90602-259-010	CIRCLIP, EXTERNAL, 25MM	001	0	0	1.97
36	90602-360-000	SET RING, 22MM	002	0	0	1.75
38	92101-06010-0A	BOLT, HEX., 6X10	002	0	0	0.40

MD24-1201908 CRM250R CRM250RM 1991 J

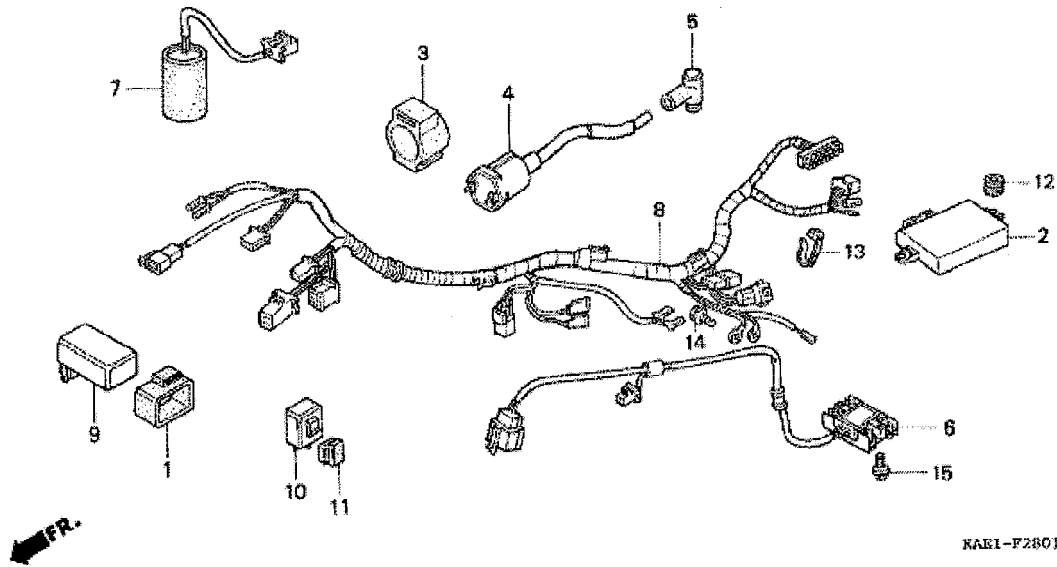
E-4 WATER PUMP



Refnr	Part Number	Description	Unit Qty	Order Qty	Repair Qty	Price GBP
1	11205-GF0-761	BUSH, 8X12X8	001	0	0	4.02
2	19214-KV3-000	IMPELLER, WATER PUMP	001	0	0	11.58
3	19217-657-023	SEAL, MECHANICAL	001	0	0	34.37
4	19221-KAE-870	COVER, WATER PUMP	001	0	0	36.71
5	19229-KAE-010	GASKET, WATER PUMP	001	0	0	2.81
6	19240-KAE-870	SHAFT COMP., WATER PUMP	001	0	0	43.27
7	90001-GHB-700	BOLT, FLANGE, 6X35	002	0	0	1.08
8	90001-GHB-780	BOLT, FLANGE, 6X75	001	0	0	1.36
9	90037-360-000	BOLT, OIL CHECK	001	0	0	1.20
10	90423-KJ9-000	WASHER, 7.2X13X1.2	001	0	0	0.74
11	90543-273-000	PACKING, FR. FORK DRAIN COCK	001	0	0	0.58
12	91007-KA3-740	BEARING, BALL, 12X24X6	001	0	0	6.62
13	91201-148-003	OIL SEAL, 12X22X5 (ARAI)	001	0	0	2.12

MD24-1201908 CRM250R CRM250RM 1991 J

F-28-1 WIRE HARNESS (2)



Refnr	Part Number	Description	Unit Qty	Order Qty	Repair Qty	Price GBP
1	30401-GK8-000	CUSHION, C.D.I. UNIT	001	0	0	3.16
2	30410-KAE-871	CONTROL UNIT, ENGINE	001	0	0	393.89
3	30506-KV3-771	SUSPENSION, IGNITION COIL	001	0	0	5.07
4	30510-KAE-000	COIL COMP., IGNITION	001	0	0	57.93
5	30700-KE1-153	CAP ASSY., NOISE SUPPRESSOR	001	0	0	16.27
6	31600-KAE-871	RECTIFIER ASSY., REGULATE	001	0	0	179.76
7	31700-KAE-871	CONDENSER UNIT	001	0	0	112.42
8	32100-KAE-870	HARNESS, WIRE	001	0	0	125.87
9	37315-GW6-000	BOX, CONTROL	001	0	0	111.30
10	38301-GE8-602	RELAY COMP., WINKER (DENSO)	001	0	0	33.66
10	38301-GE8-603	RELAY COMP., WINKER (MITSUBA)	001	0	0	33.66
11	38306-GE7-000	SUSPENSION, WINKER RELAY	001	0	0	2.38
12	80116-MR1-000	RUBBER B, RR. COWL MOUNTING	001	0	0	1.44
13	90650-KV6-003	BAND, WIRE, 95MM	001	0	0	2.88
14	96001-06010-00	BOLT, FLANGE, 6X10	001	0	0	0.52
15	96300-06020-07	BOLT, FLANGE, 6X20	002	0	0	0.52